



US00D537694S

(12) **United States Design Patent**
Watanabe

(10) **Patent No.:** **US D537,694 S**
(45) **Date of Patent:** **** Mar. 6, 2007**

(54) **ROUTER BIT**

(75) Inventor: **Shunsuke Watanabe**, Shizuoka (JP)

(73) Assignee: **Off Corporation Inc.**, Shizuoka (JP)

(**) Term: **14 Years**

(21) Appl. No.: **29/258,588**

(22) Filed: **Apr. 25, 2006**

(30) **Foreign Application Priority Data**

Oct. 25, 2005 (JP) 2005-031232

(51) **LOC (8) Cl.** **08-01**

(52) **U.S. Cl.** **D8/70; D15/139**

(58) **Field of Classification Search** D8/70,
D8/61, 67; D15/127, 138, 139; 144/134.2,
144/135.2, 137, 221, 222, 228, 241, 253.2,
144/253.5; 407/11, 30, 53, 54, 61, 63, 114;
409/182

See application file for complete search history.

(56) **References Cited**

U.S. PATENT DOCUMENTS

D262,219 S	*	12/1981	Lassiter	D15/139
D263,598 S	*	3/1982	Lassiter	D15/139
D269,348 S	*	6/1983	Strohmaier	D15/139
D273,389 S	*	4/1984	Lassiter	D15/139
D316,103 S	*	4/1991	Lassiter	D15/139
D338,213 S	*	8/1993	Witt	D15/139
5,615,718 A	*	4/1997	Venditto	144/135.2
5,899,252 A	*	5/1999	Pozzo	144/137
D434,783 S	*	12/2000	Reichenthal	D15/139
D438,550 S	*	3/2001	Uhlig et al.	D15/139

6,354,347 B1	*	3/2002	Brewer	144/135.2
6,367,524 B1	*	4/2002	Brewer	144/371
D477,516 S	*	7/2003	Dollar et al.	D8/70
6,817,813 B2	*	11/2004	Dollar et al.	409/182
7,036,539 B2	*	5/2006	Sherman et al.	407/11
7,044,694 B2	*	5/2006	Lowder et al.	409/180
2003/0072624 A1	*	4/2003	Dollar et al.	407/30
2003/0147713 A1	*	8/2003	Dembicks	407/53
2004/0062616 A1	*	4/2004	Pozzo	407/53
2004/0096281 A1	*	5/2004	Sherman et al.	407/11
2006/0182507 A1	*	8/2006	Lowder et al.	409/180

* cited by examiner

Primary Examiner—T. Chase Nelson

(74) *Attorney, Agent, or Firm*—Jacobson Holman PLLC

(57) **CLAIM**

The ornamental design for the router bit, as shown and described.

DESCRIPTION

FIG. 1 is a front perspective view of the router bit embodying my design;

FIG. 2 is a front elevational view of the router bit, the back elevational view being identical;

FIG. 3 is a top plan view of the router bit;

FIG. 4 is a right side elevational view of the router bit, the left side elevational view being identical;

FIG. 5 is a bottom plan view of the router bit;

FIG. 6 is a transverse sectional view taken along line 6—6 of FIG. 2; and,

FIG. 7 is a longitudinal sectional view taken along line 7—7 of FIG. 3.

1 Claim, 4 Drawing Sheets

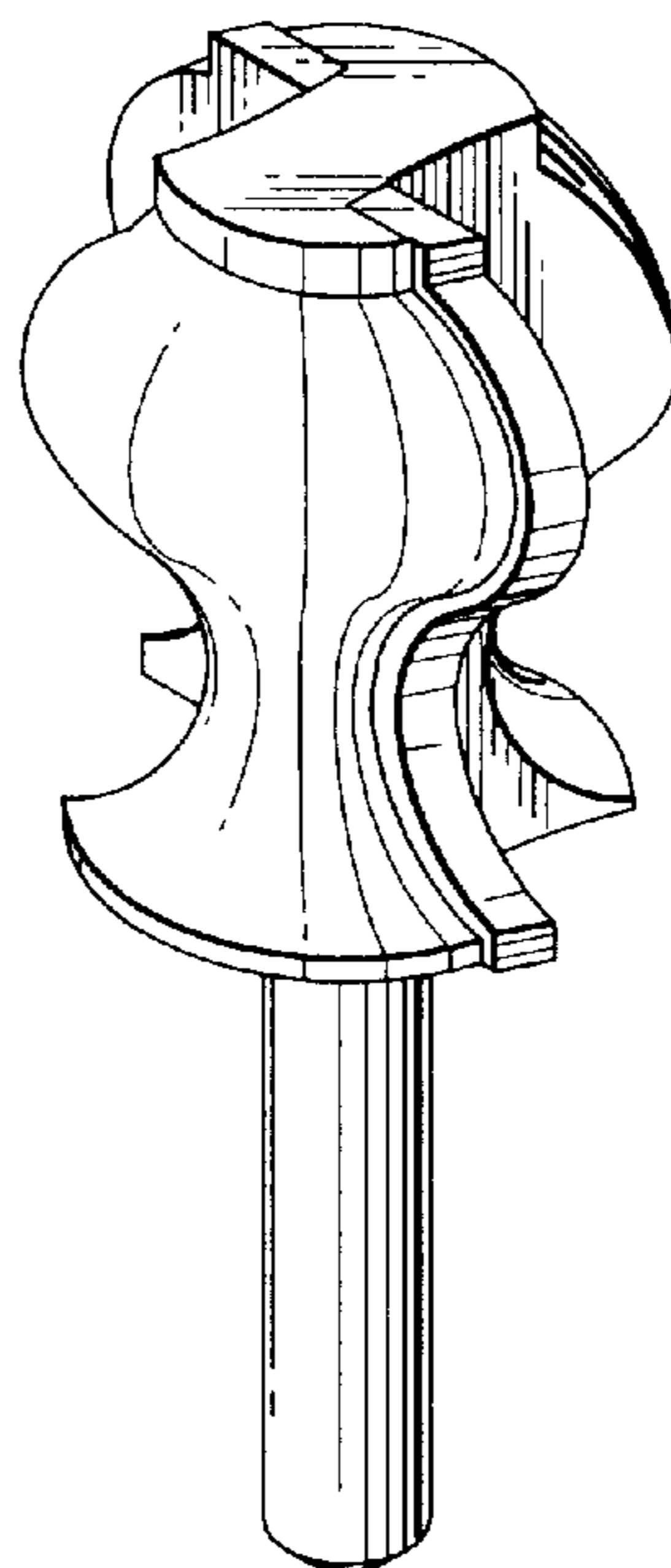


FIG. 1

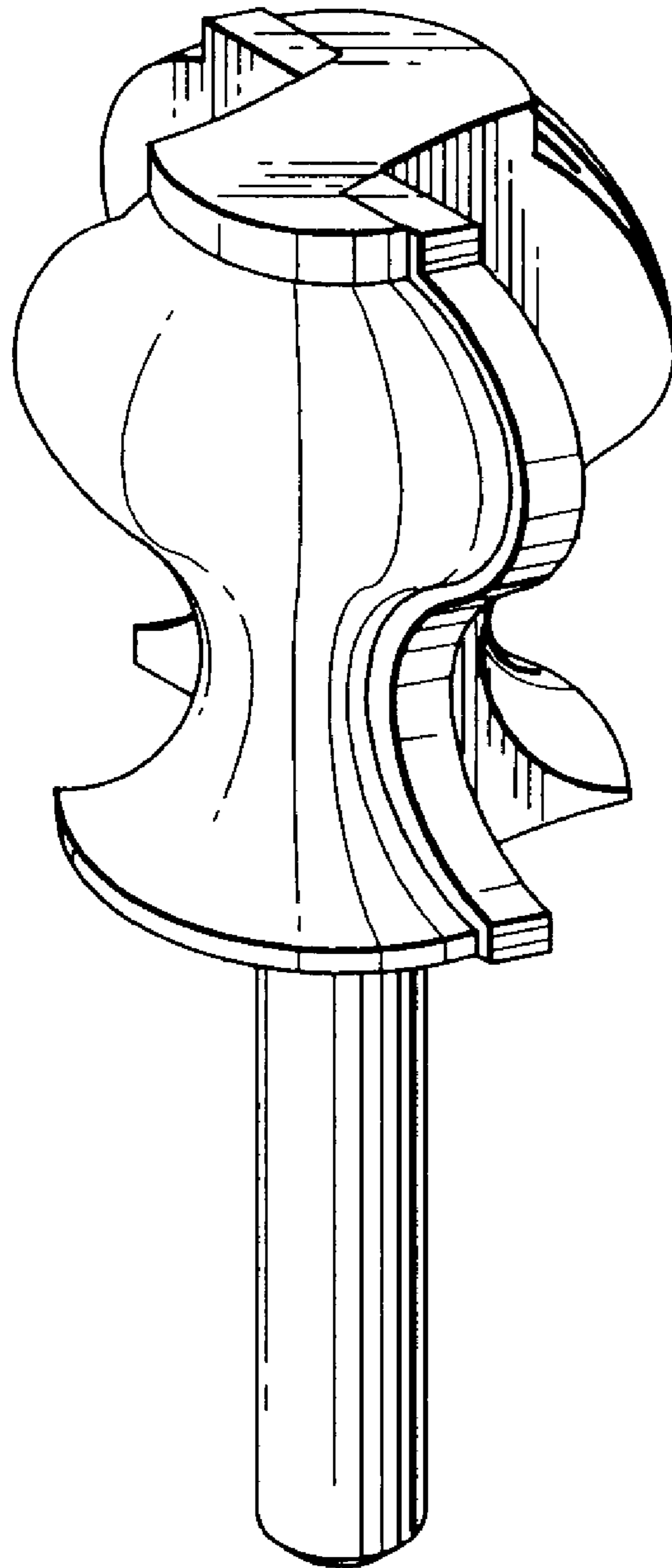


FIG. 2

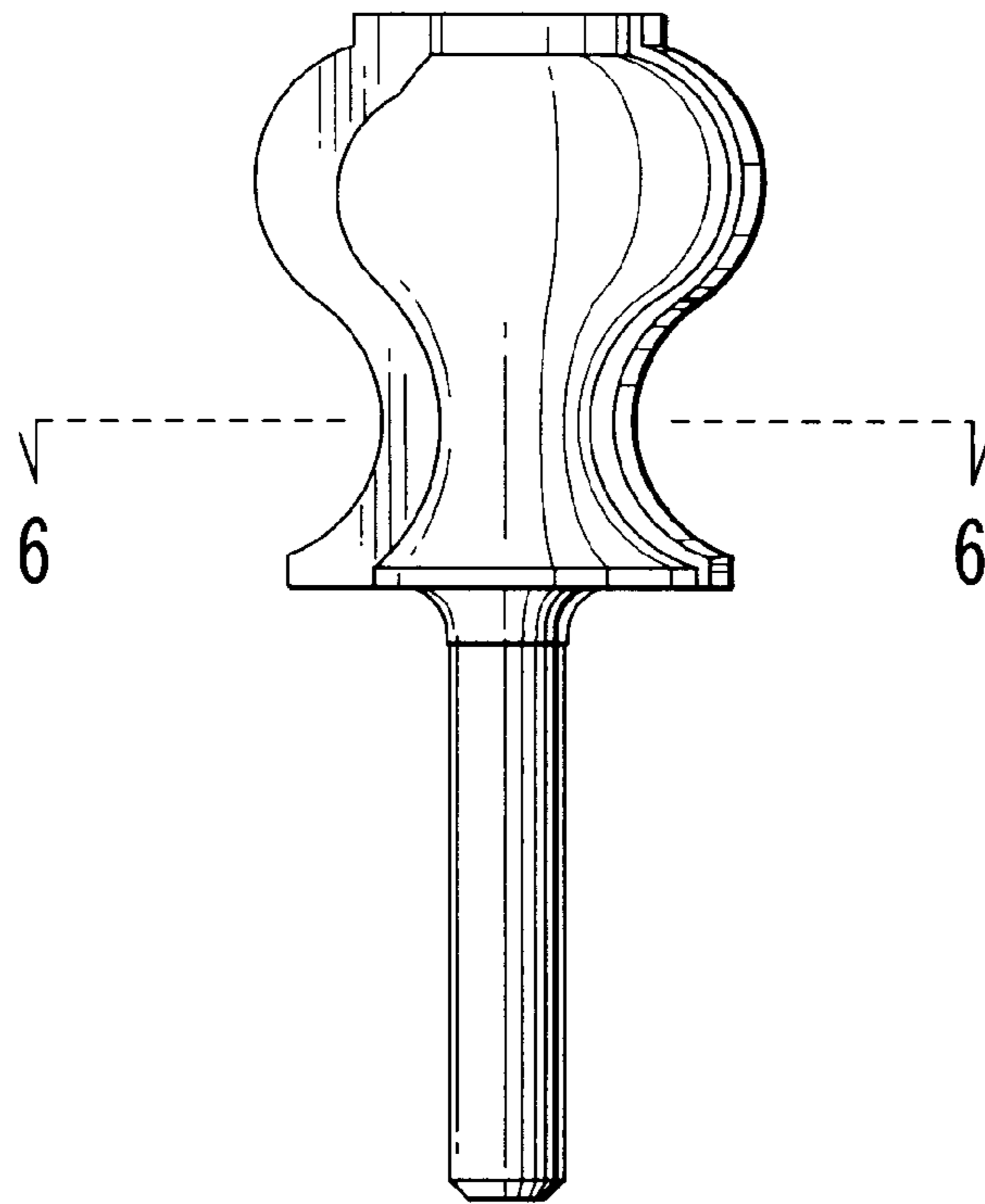


FIG. 3

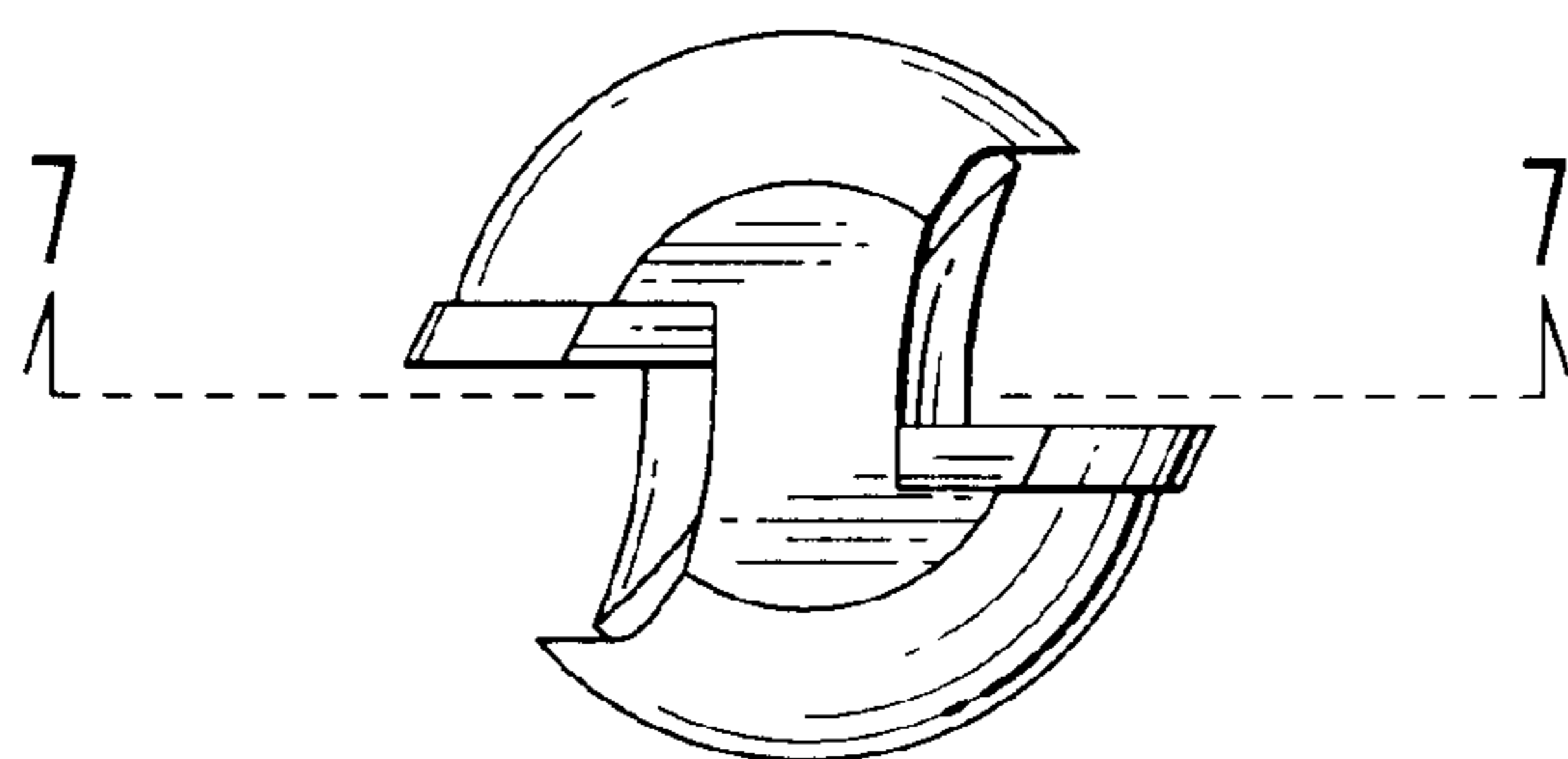


FIG. 4

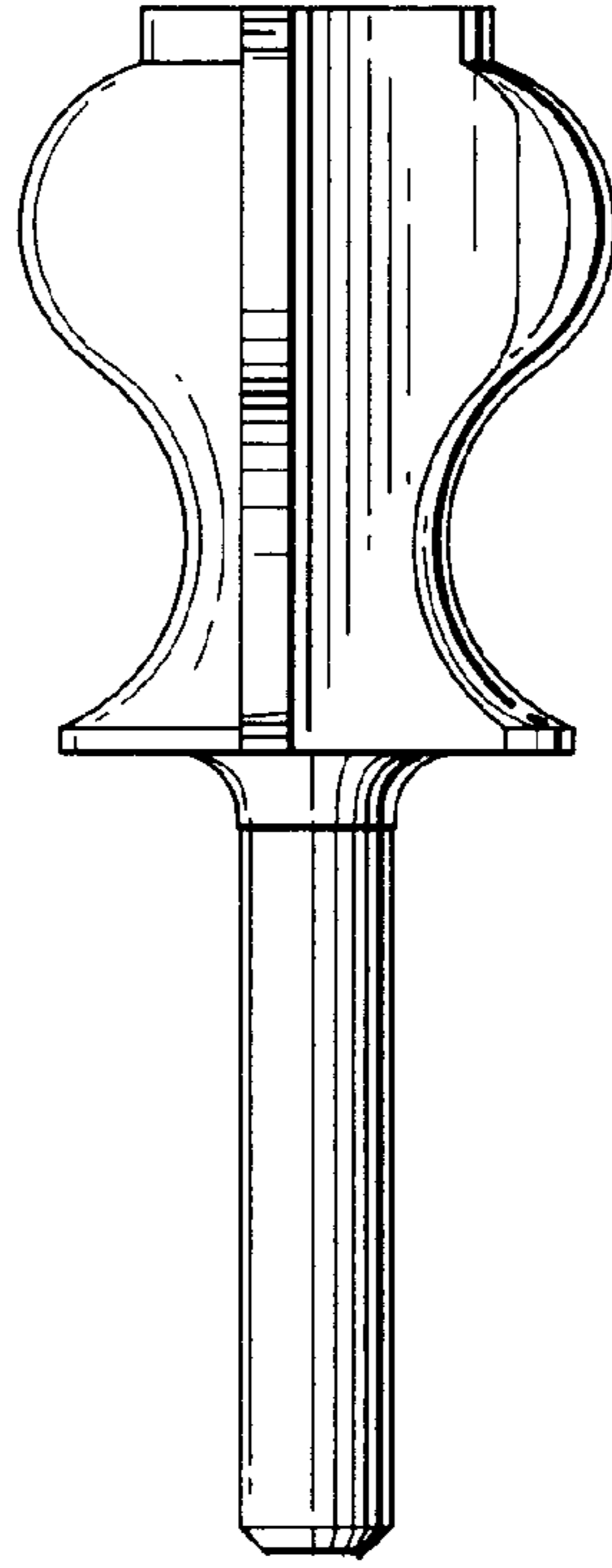


FIG. 5

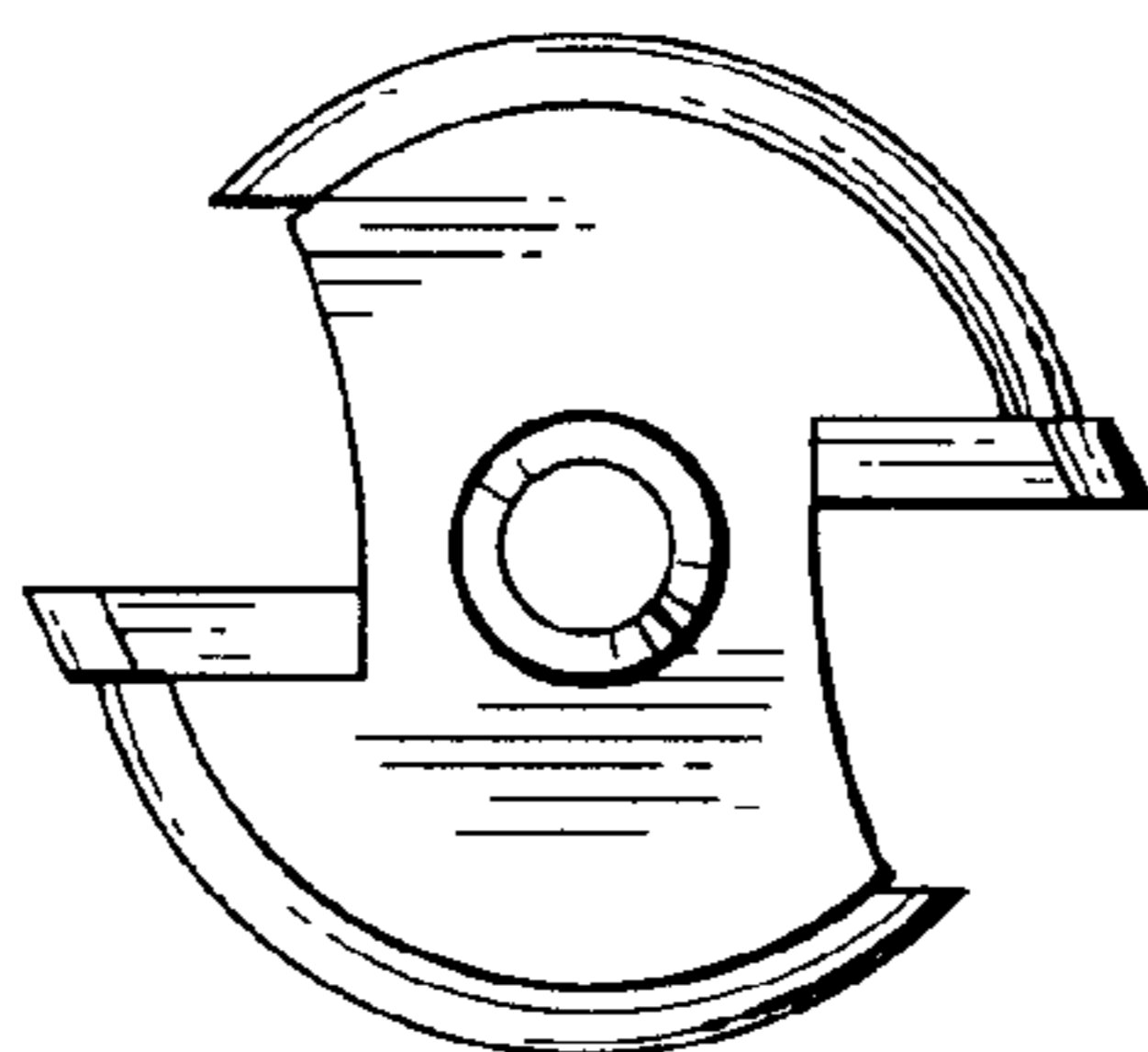


FIG. 6

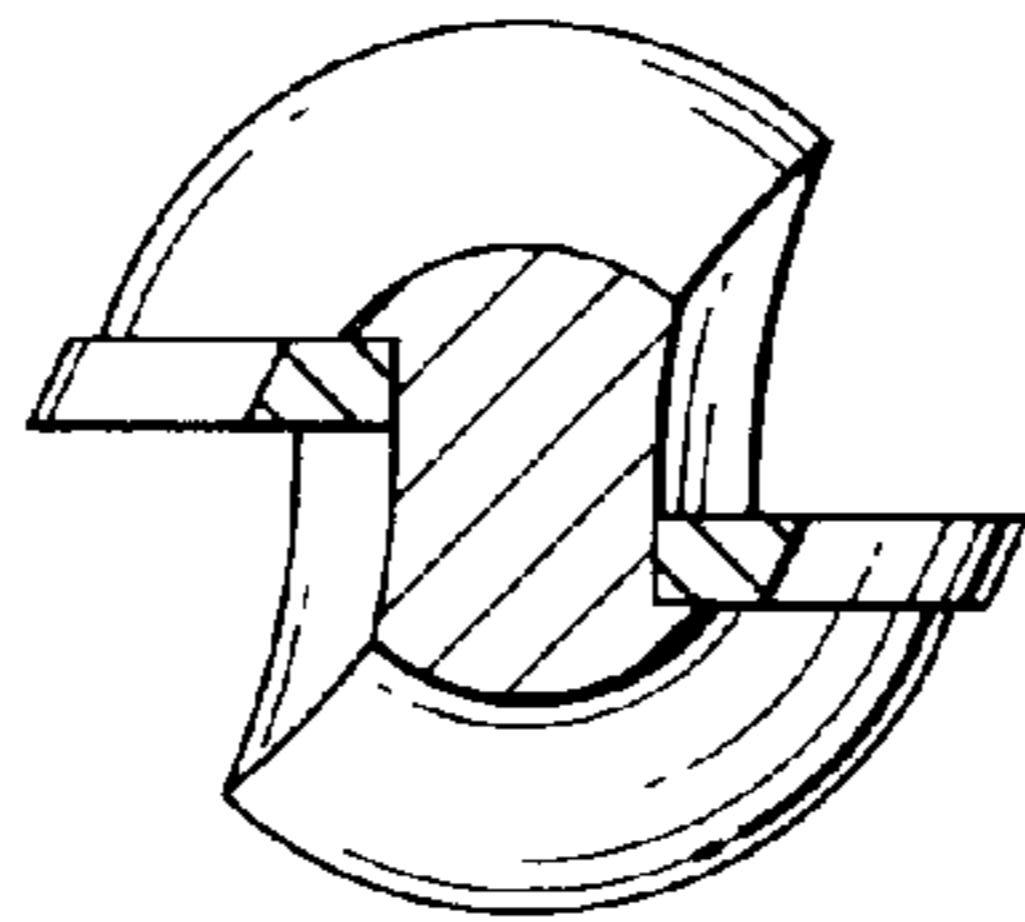


FIG. 7

