



US00D537692S

(12) **United States Design Patent**  
**Aglassinger**

(10) **Patent No.:** **US D537,692 S**

(45) **Date of Patent:** **\*\* Mar. 6, 2007**

(54) **PROTECTIVE HOOD FOR AN ANGLE GRINDER**

(75) Inventor: **Hans-Peter Aglassinger**, Esslingen (DE)

(73) Assignee: **Robert Bosch GmbH**, Stuttgart (DE)

(\*\*) Term: **14 Years**

(21) Appl. No.: **29/254,978**

(22) Filed: **Mar. 2, 2006**

(30) **Foreign Application Priority Data**

Sep. 30, 2005 (DE) ..... 4 05 05 149

(51) **LOC (8) Cl.** ..... **08-01**

(52) **U.S. Cl.** ..... **D8/70**

(58) **Field of Classification Search** ..... D8/61, D8/62, 64, 66, 70; D15/138; 173/170, 171, 173/217; 310/50; 451/344, 351, 353, 354, 451/355, 356, 357, 358, 359, 451, 456; 81/54, 81/474

See application file for complete search history.

(56) **References Cited**

**U.S. PATENT DOCUMENTS**

- 2,819,570 A \* 1/1958 Tocci-Guilbert et al. .... 451/451
- 3,068,620 A \* 12/1962 Tocci-Guilbert ..... 451/451
- D421,703 S \* 3/2000 Isaksen ..... D8/70
- D449,502 S \* 10/2001 Fraser et al. .... D8/62

- D471,783 S \* 3/2003 McAuliffe et al. .... D8/66
- D513,692 S \* 1/2006 Baker et al. .... D8/70
- 6,988,939 B2 \* 1/2006 Hofmann et al. .... 451/344
- 7,014,547 B2 \* 3/2006 Kleider ..... 451/344
- D521,833 S \* 5/2006 Okuda et al. .... D8/62
- 7,063,606 B2 \* 6/2006 Stierle et al. .... 451/359
- D525,096 S \* 7/2006 Hatch ..... D8/62
- 2005/0215186 A1 \* 9/2005 Stierle et al. .... 451/359
- 2006/0068690 A1 \* 3/2006 Koschel et al. .... 451/451

\* cited by examiner

*Primary Examiner*—T. Chase Nelson

(74) *Attorney, Agent, or Firm*—Michael J. Striker

(57) **CLAIM**

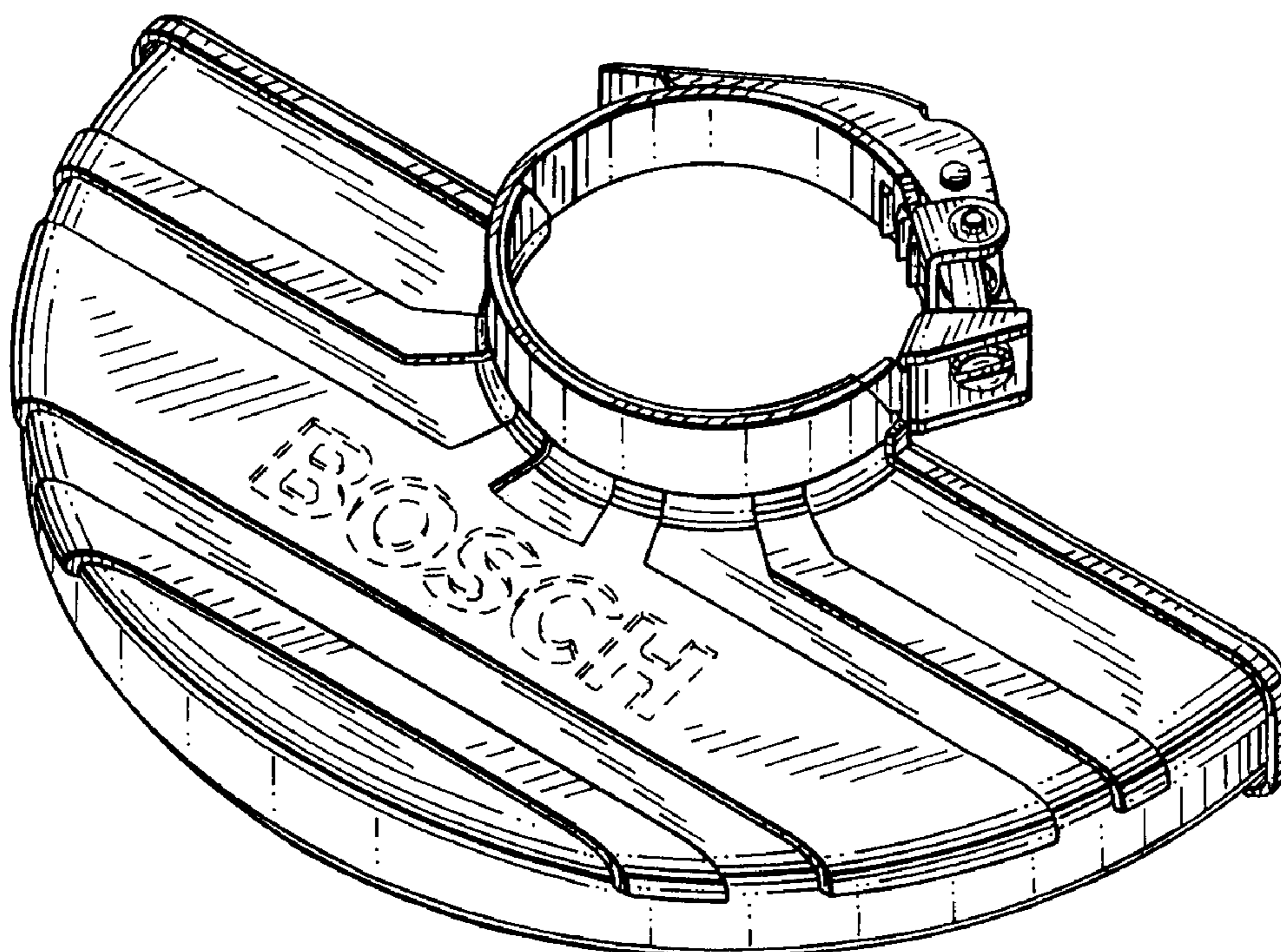
The ornamental design for a protective hood for an angle grinder, as shown and described.

**DESCRIPTION**

FIG. 1 is a front and top perspective view of a protective hood for an angle grinder;  
 FIG. 2 is a side view thereof;  
 FIG. 3 is the opposite side view of FIG. 2 thereof.  
 FIG. 4 is a front view thereof;  
 FIG. 5 is a rear view thereof;  
 FIG. 6 is a top view thereof; and,  
 FIG. 7 is a bottom view thereof.

The trademark Bosch, a trademark owned by Robert Bosch GmbH, as indicated in dotted lines does not form part of the claimed design.

**1 Claim, 4 Drawing Sheets**



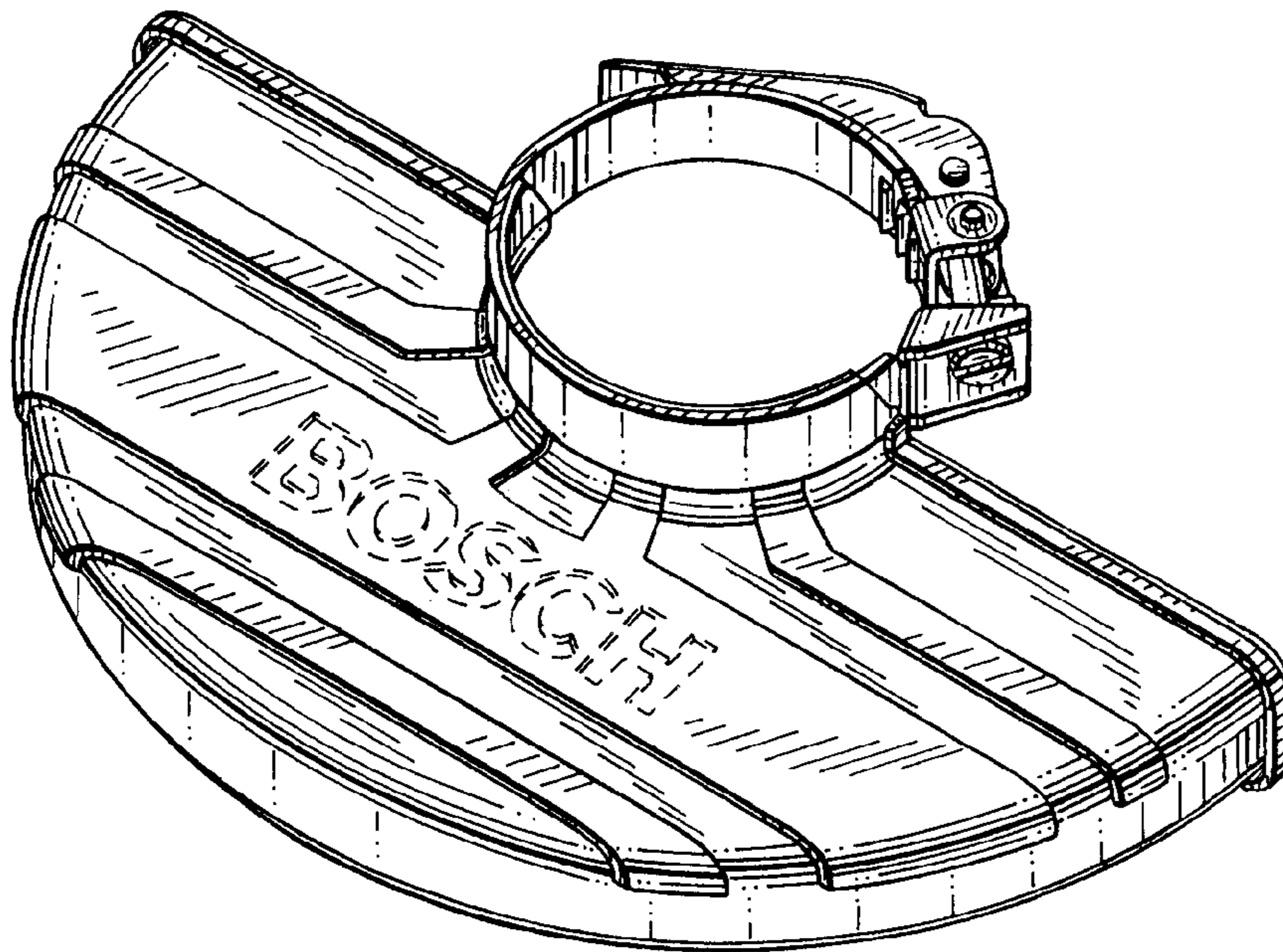


FIG. 1

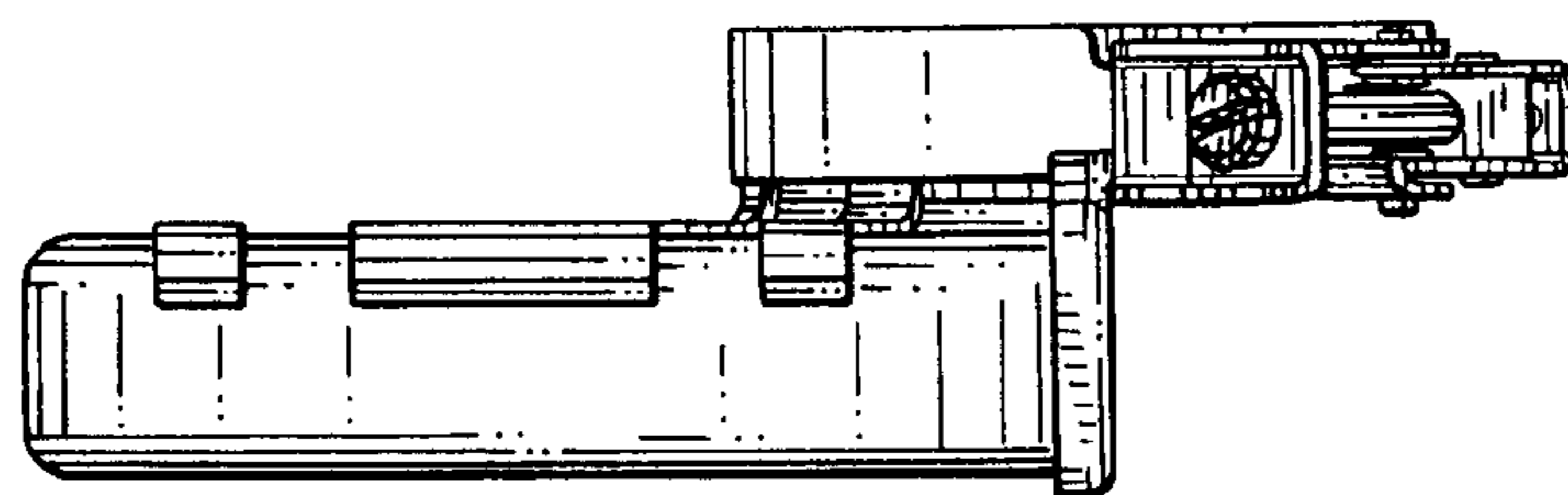


FIG. 2

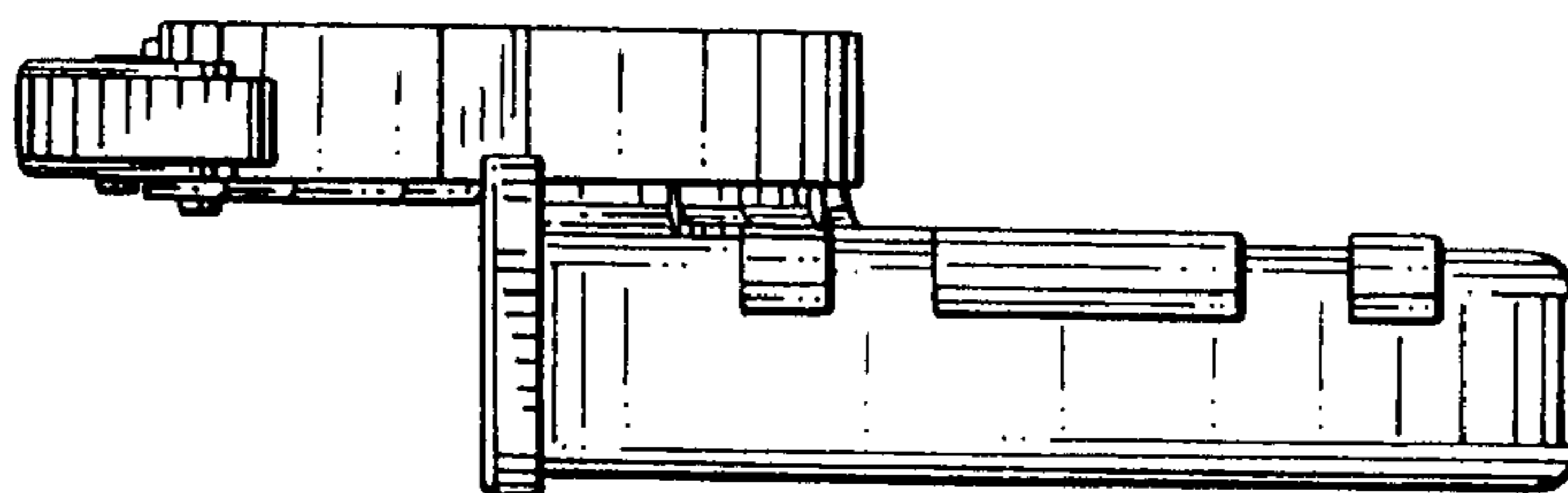


FIG. 3

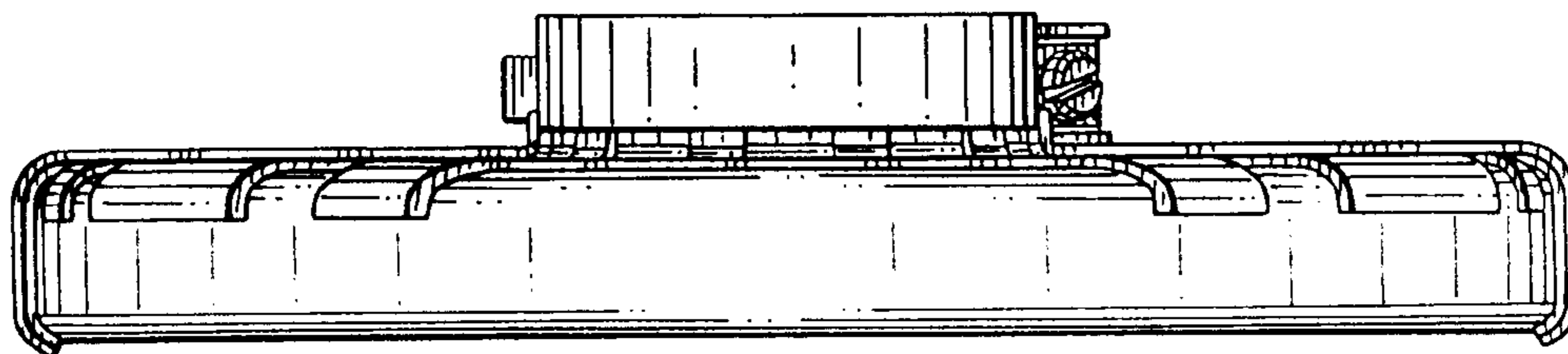


FIG. 4

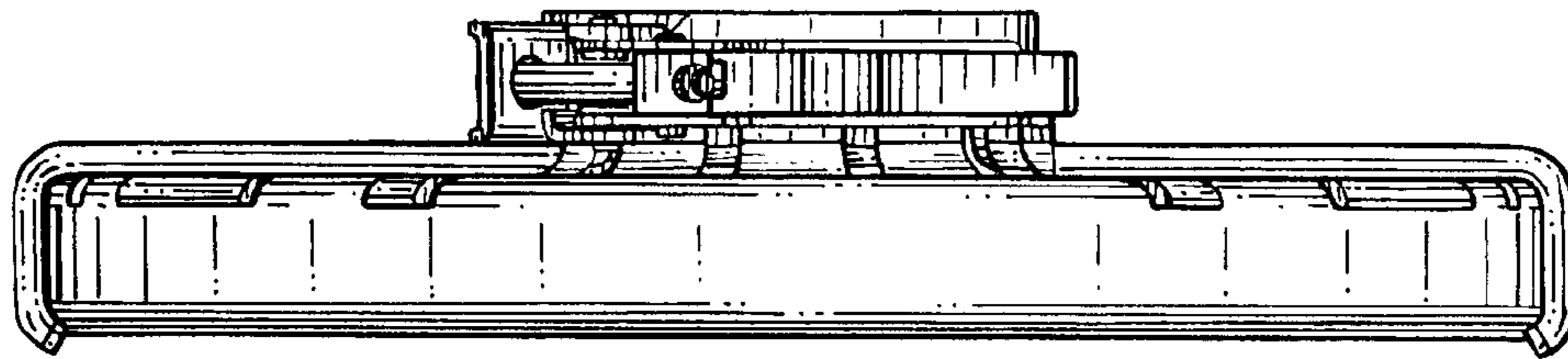


FIG. 5

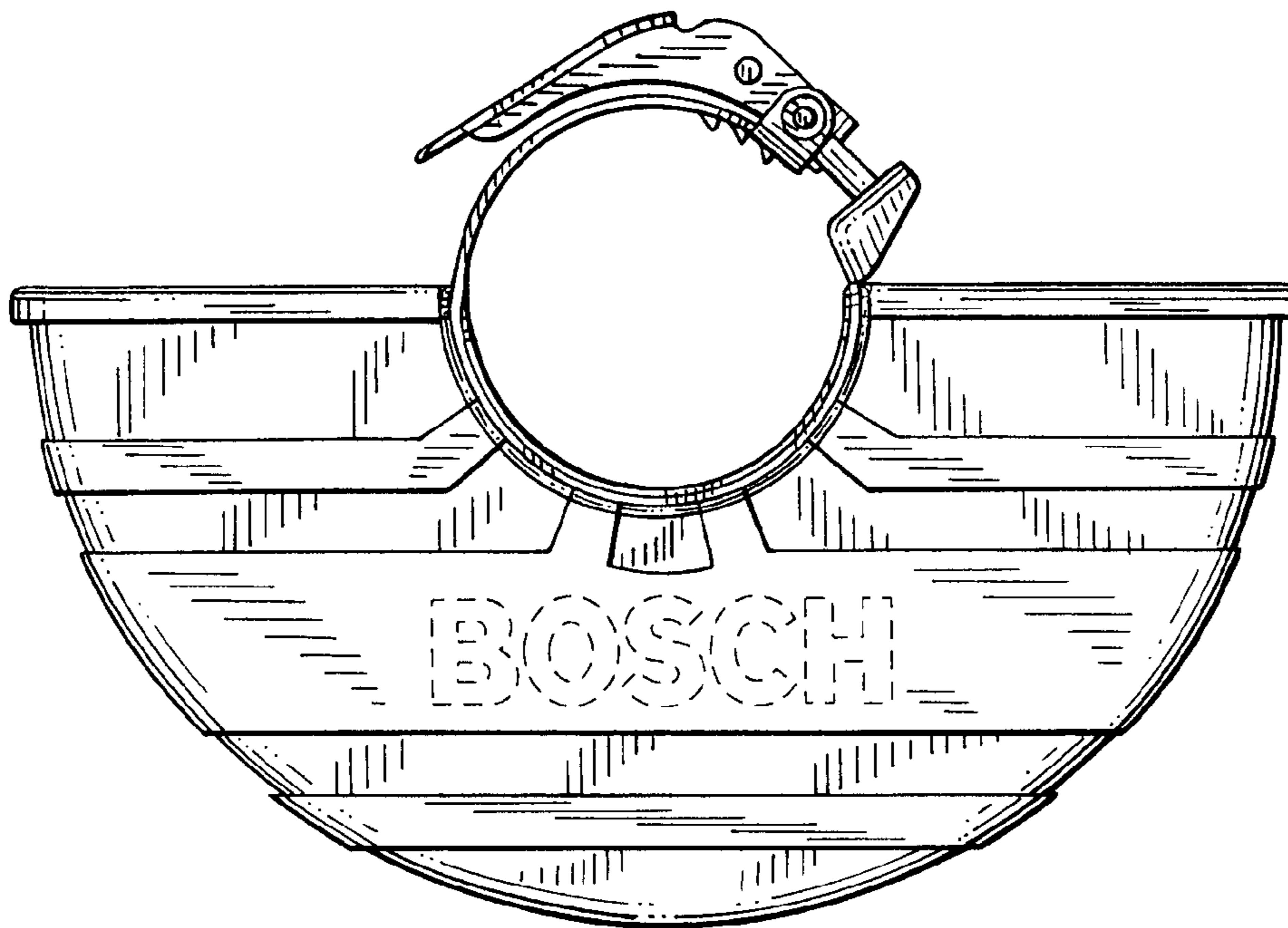


FIG. 6

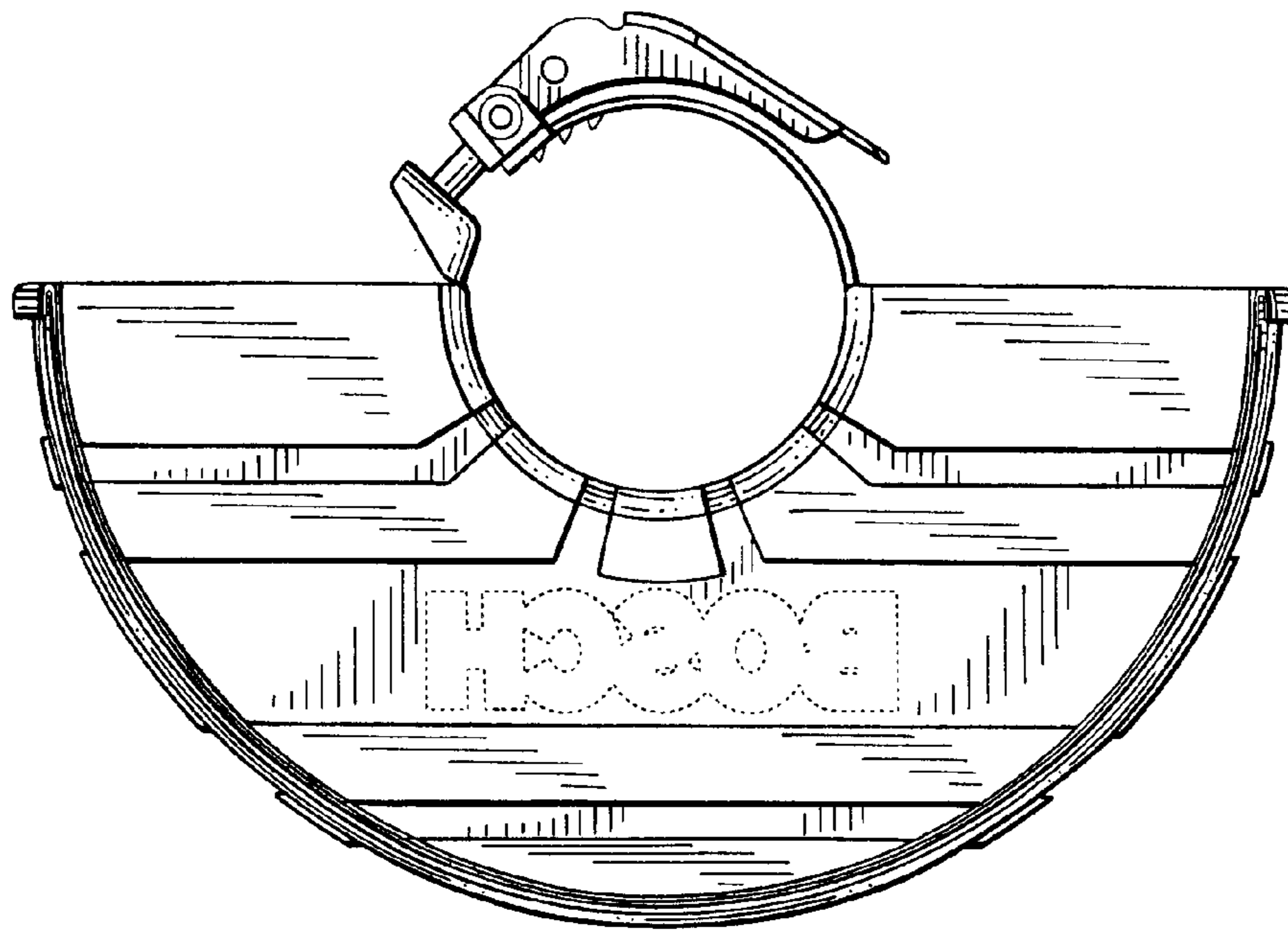


FIG. 7