



US00D537690S

(12) **United States Design Patent** (10) **Patent No.:** **US D537,690 S**  
**Su** (45) **Date of Patent:** **\*\* Mar. 6, 2007**

(54) **AIR IMPACT WRENCH**  
(75) Inventor: **San-Yih Su**, Taichung (TW)  
(73) Assignee: **Basso Industry Corp.**, Taichung (TW)  
(\*\*) Term: **14 Years**  
(21) Appl. No.: **29/244,587**  
(22) Filed: **Dec. 13, 2005**  
(51) **LOC (8) Cl.** ..... **08-05**  
(52) **U.S. Cl.** ..... **D8/68**  
(58) **Field of Classification Search** ..... D8/14.1,  
D8/49, 61-64, 65, 66, 67, 68, 69, 70; 81/57.11,  
81/429, 464, 465, 466, 469, 489; 173/13,  
173/104, 114, 168, 169, 170, 171, 178, 201,  
173/211, 213, 217; 408/20, 124, 125, 234,  
408/241 R; 451/358; 310/50; 227/8, 114,  
227/120, 130, 136, 142, 132, 134, 127, 128,  
227/113

See application file for complete search history.

(56) **References Cited**

**U.S. PATENT DOCUMENTS**

3,352,323 A \* 11/1967 Wickham ..... 173/169  
3,352,368 A \* 11/1967 Maffey, Jr. .... 310/50  
3,989,113 A \* 11/1976 Spring et al. .... 173/169  
D256,980 S \* 9/1980 Adams et al. .... D8/68  
5,083,619 A \* 1/1992 Giardino et al. .... 173/104  
6,082,468 A \* 7/2000 Pusateri et al. .... 173/169  
D434,958 S \* 12/2000 Izumisawa ..... D8/68  
6,158,459 A \* 12/2000 Chang ..... 81/489  
D436,818 S \* 1/2001 Izumisawa ..... D8/68  
D437,760 S \* 2/2001 Izumisawa ..... D8/68  
6,199,383 B1 \* 3/2001 Pusateri ..... 173/171  
D441,628 S \* 5/2001 Bass et al. .... D8/68

6,443,239 B1 \* 9/2002 Izumisawa ..... 173/169  
D469,673 S \* 2/2003 Sliker et al. .... D8/68  
D476,210 S \* 6/2003 Chen ..... D8/68  
D477,512 S \* 7/2003 Liu et al. .... D8/68  
D477,761 S \* 7/2003 Liu et al. .... D8/68  
D477,977 S \* 8/2003 Liu ..... D8/68  
D489,240 S \* 5/2004 Bartfeld et al. .... D8/68  
D493,085 S \* 7/2004 Copeland et al. .... D8/68  
D496,243 S \* 9/2004 Huang ..... D8/68  
D497,529 S \* 10/2004 Price ..... D8/68  
6,880,645 B2 \* 4/2005 Izumisawa ..... 173/169  
D507,732 S \* 7/2005 Nowak et al. .... D8/68  
D513,690 S \* 1/2006 Etter et al. .... D8/68  
2002/0112867 A1 \* 8/2002 Tseng ..... 173/168  
2002/0152848 A1 \* 10/2002 Johnson ..... 81/465  
2003/0010514 A1 \* 1/2003 Taga ..... 173/213  
2005/0161243 A1 \* 7/2005 Livingston et al. .... 173/171

\* cited by examiner

*Primary Examiner*—T. Chase Nelson  
(74) *Attorney, Agent, or Firm*—Egbert Law Offices

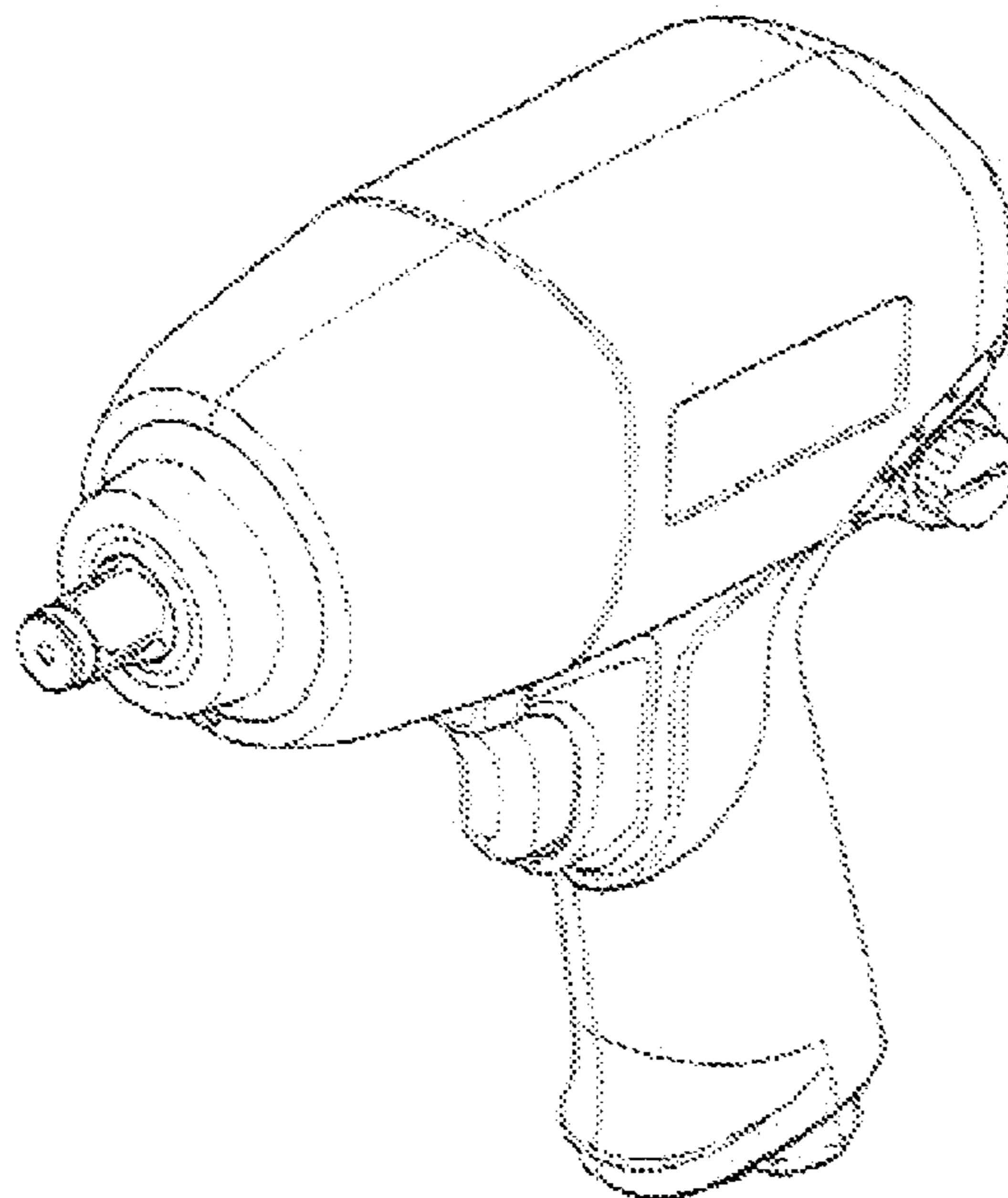
(57) **CLAIM**

I claim the ornamental design for an air impact wrench, as shown and described.

**DESCRIPTION**

FIG. 1 is an upper perspective view of the air impact wrench showing my design.  
FIG. 2 is a front view thereof;  
FIG. 3 is a back view thereof;  
FIG. 4 is a side view thereof;  
FIG. 5 is an opposite side view thereof;  
FIG. 6 is a top plan view thereof;  
FIG. 7 is a bottom plan view thereof; and,  
FIG. 8 is a back perspective view thereof.

**1 Claim, 5 Drawing Sheets**



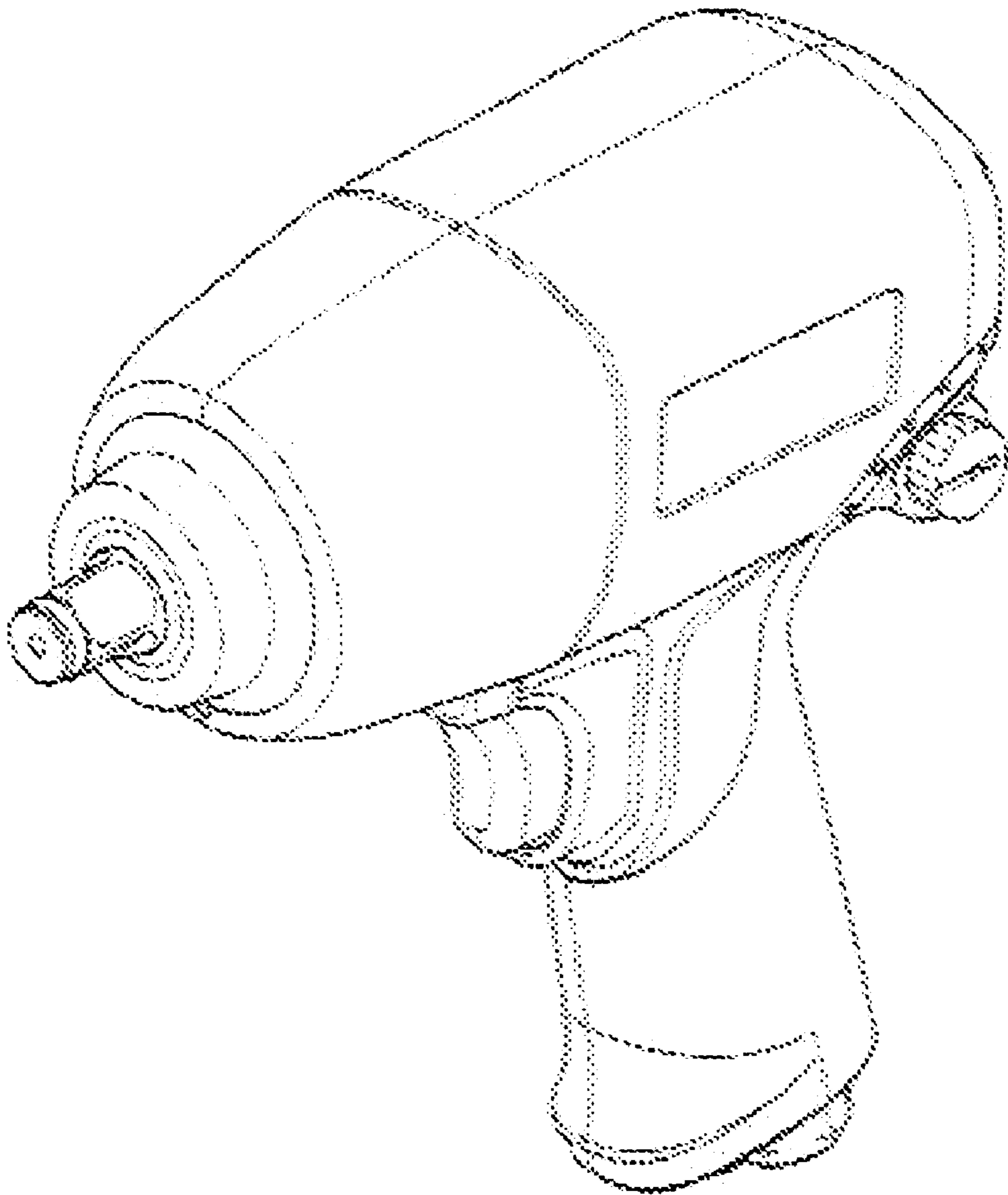


FIG. 1

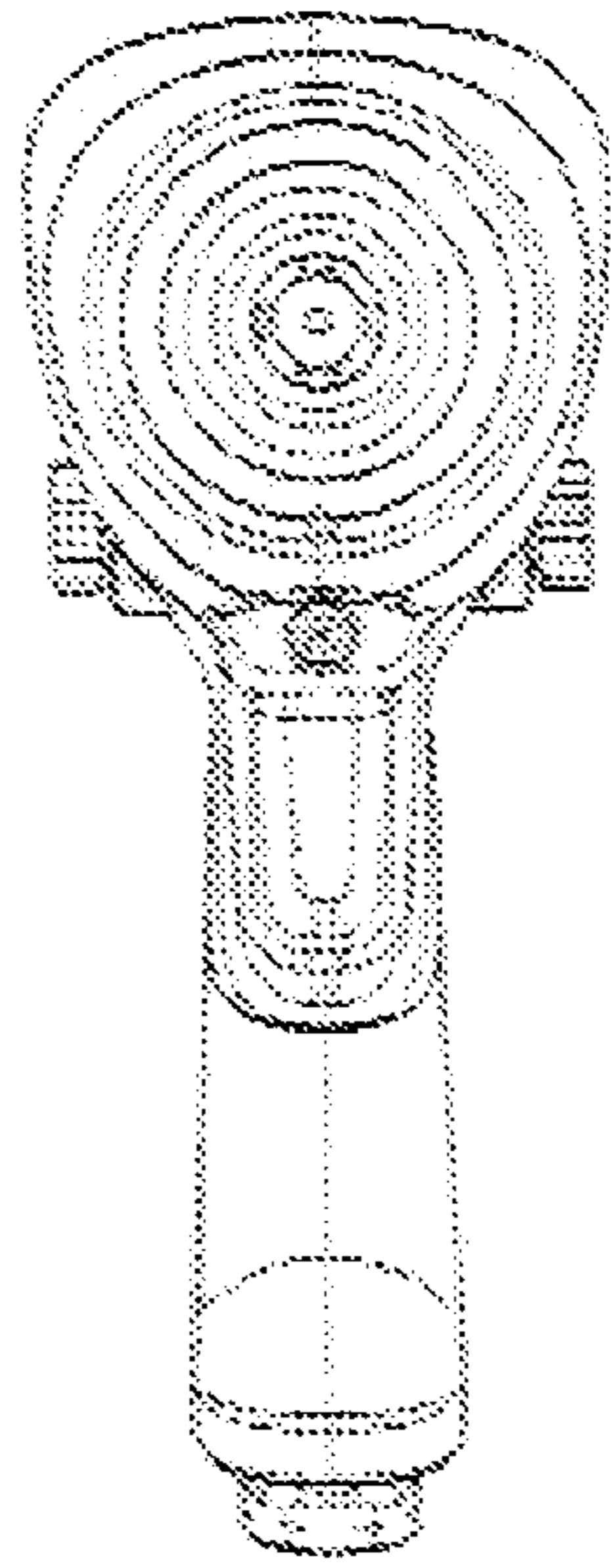


FIG. 2

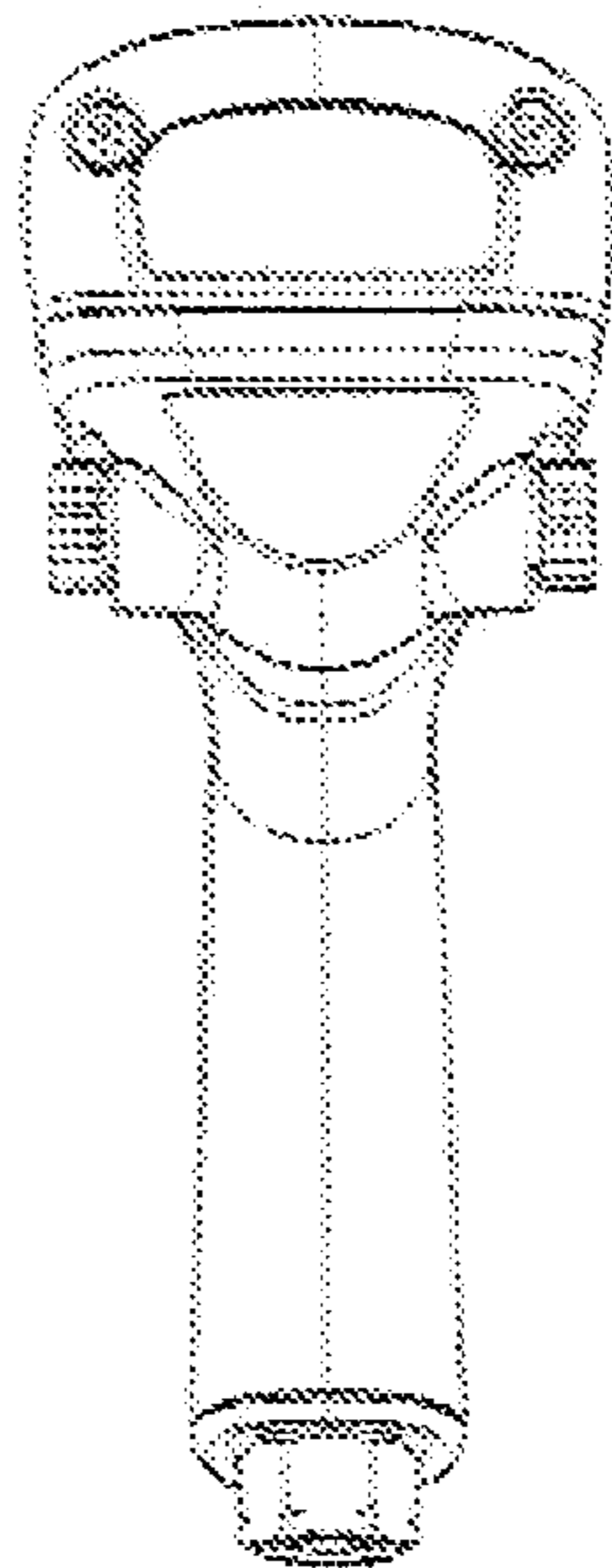


FIG. 3

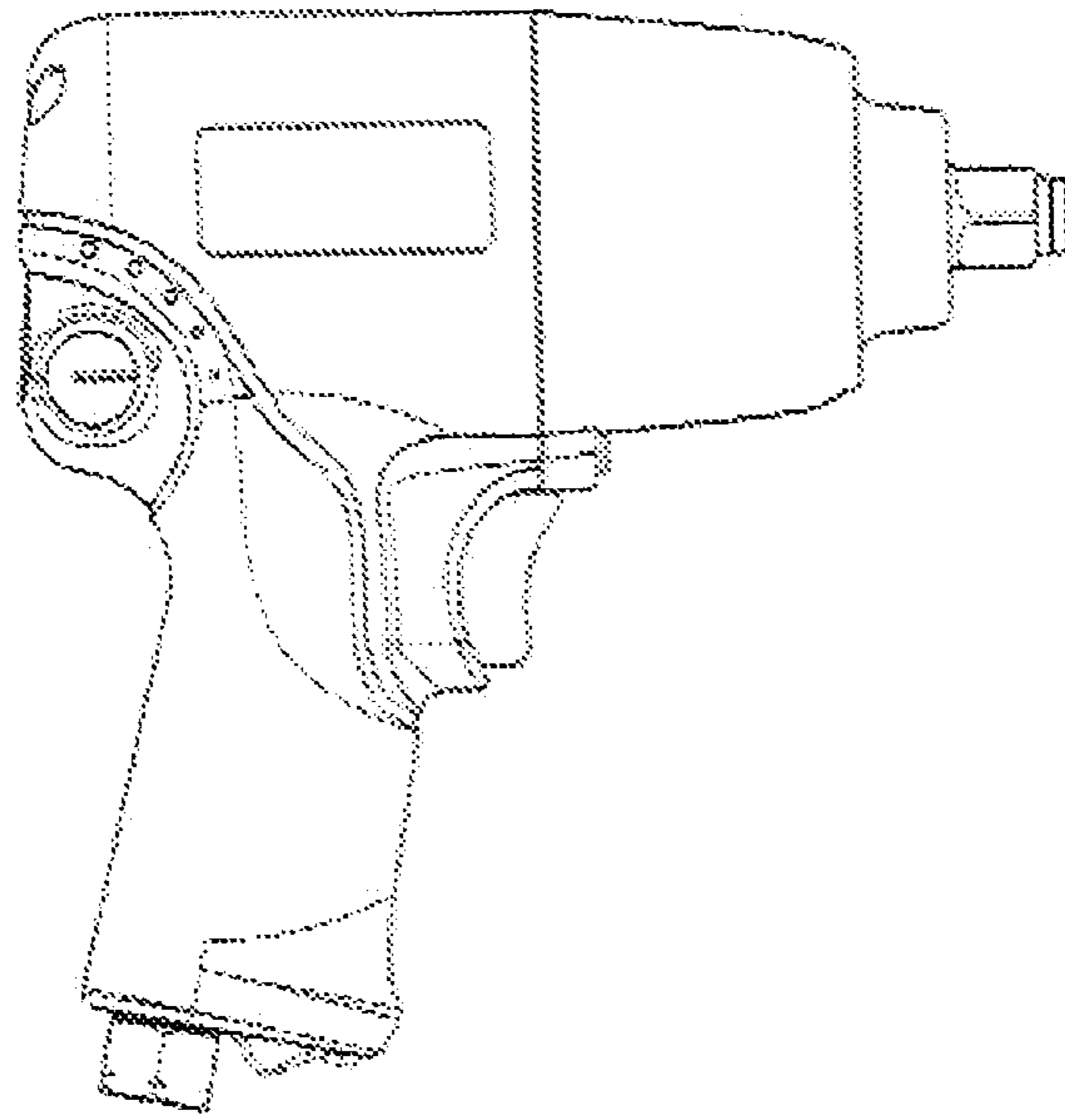


FIG. 4

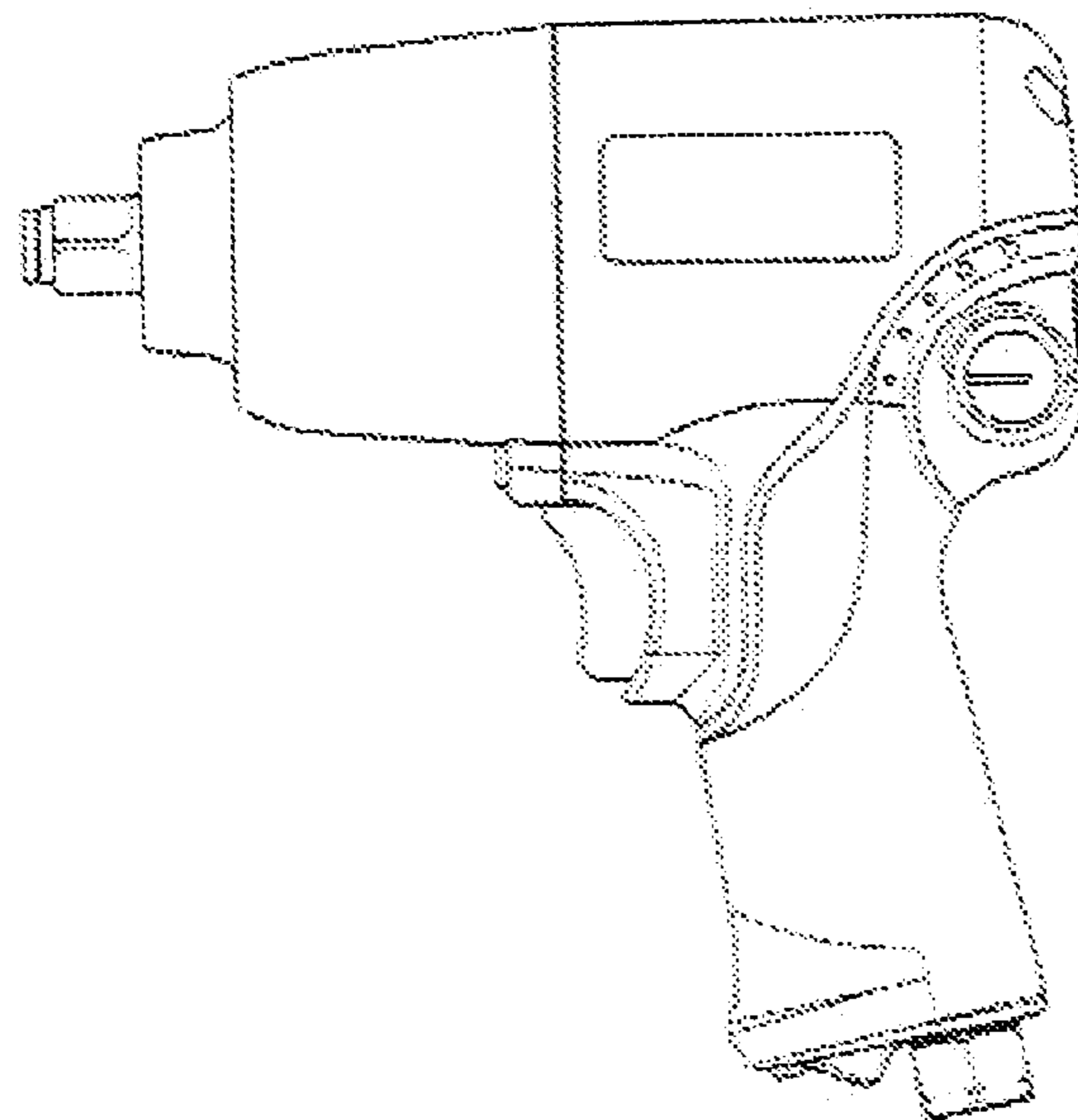


FIG. 5

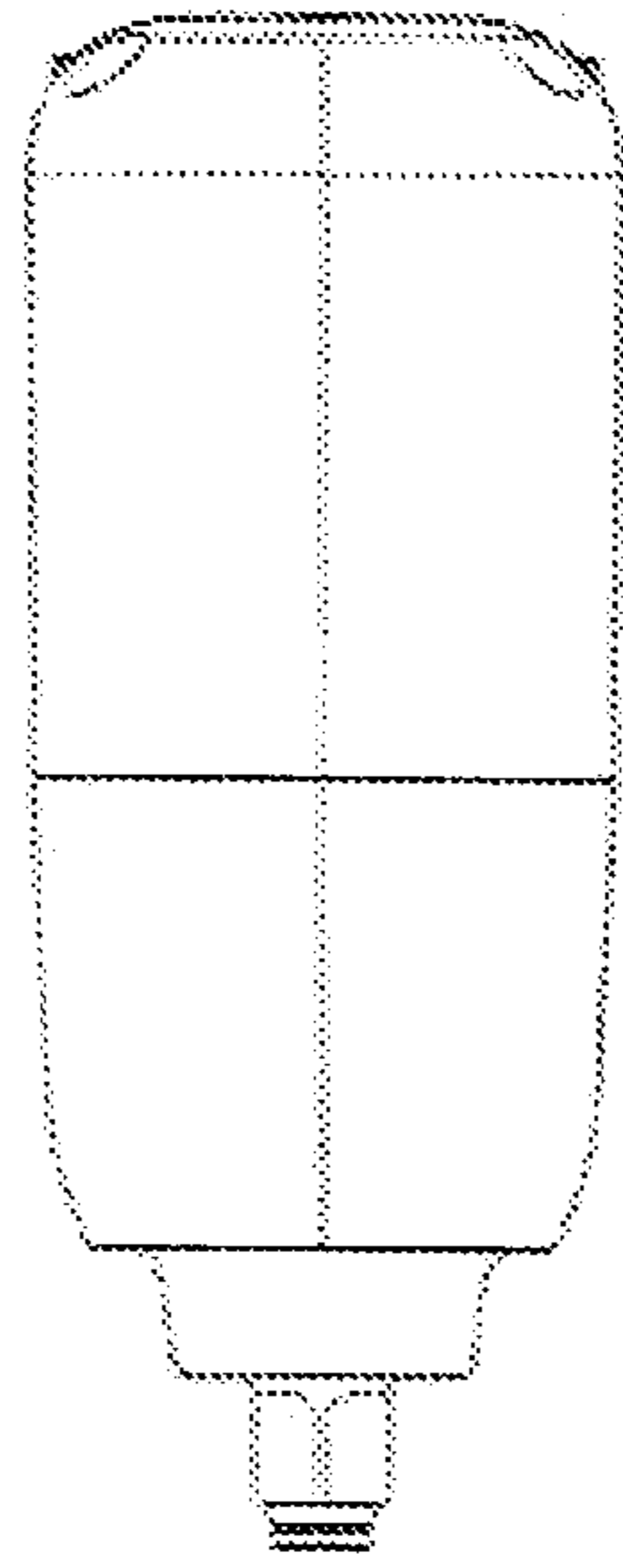


FIG. 6

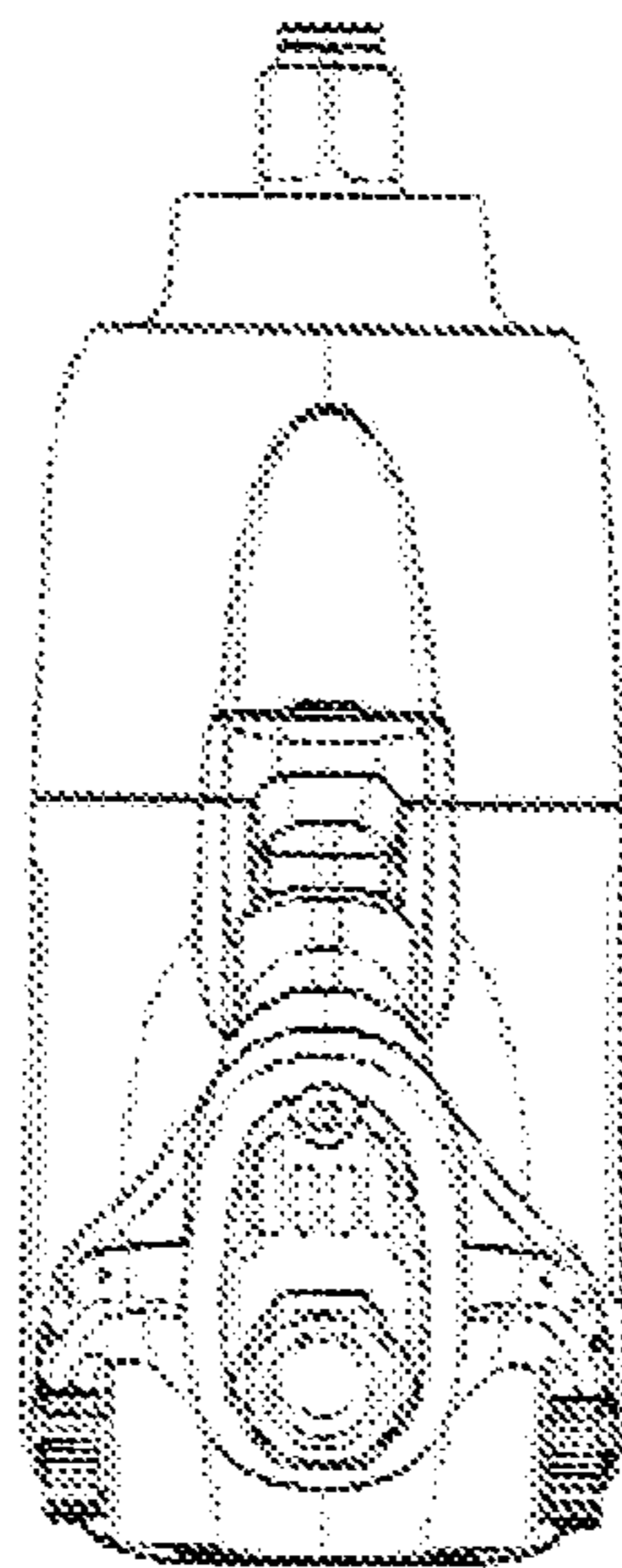


FIG. 7

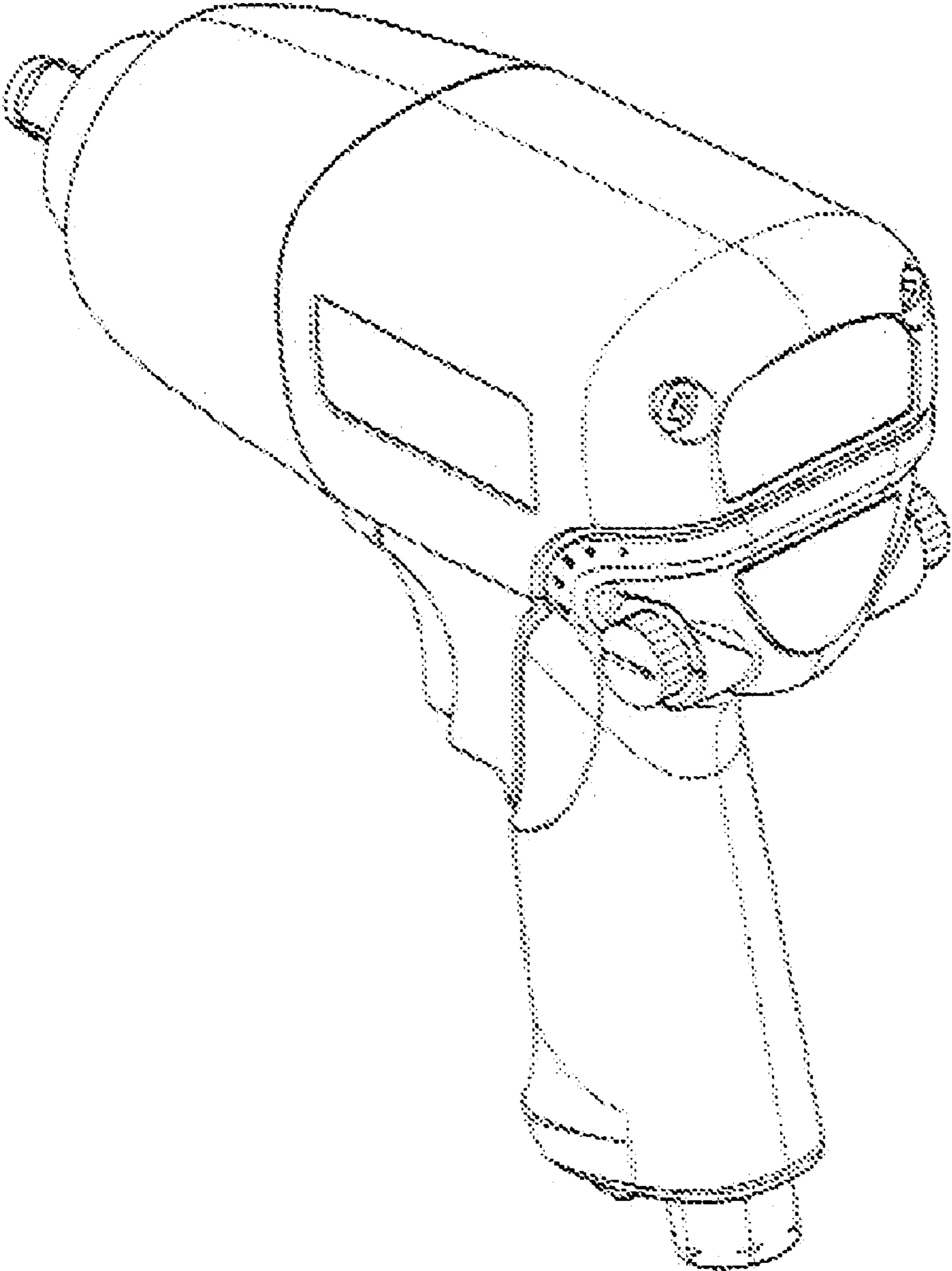


FIG. 8