

US00D537689S

(12) **United States Design Patent**
Kent et al.

(10) **Patent No.:** **US D537,689 S**

(45) **Date of Patent:** **** Mar. 6, 2007**

(54) **STAPLER BASE**

(75) Inventors: **Michael Kent**, Cumberland, RI (US);
William D. Hester, Meriden, CT (US)

(73) Assignee: **Staples The Office Superstore, LLC**,
Framingham, MA (US)

(**) Term: **14 Years**

(21) Appl. No.: **29/237,572**

(22) Filed: **Sep. 1, 2005**

(51) **LOC (8) Cl.** **19-02**

(52) **U.S. Cl.** **D8/50**

(58) **Field of Classification Search** D8/49,
D8/50, 61; D19/65, 72; 227/120, 127, 128,
227/131, 132, 134, 156

See application file for complete search history.

(56) **References Cited**

U.S. PATENT DOCUMENTS

D414,091 S	*	9/1999	Rellinger	D8/50
D436,009 S	*	1/2001	Chi Kuo	D8/50
D470,025 S	*	2/2003	Joss et al.	D8/50
D478,485 S	*	8/2003	Huang	D8/50
D479,678 S	*	9/2003	Huang	D8/50
D492,174 S	*	6/2004	Huang	D8/50
D502,850 S	*	3/2005	Sauter et al.	D8/50

D502,851 S	*	3/2005	Sauter et al.	D8/50
D511,283 S	*	11/2005	Sauter et al.	D8/50
D511,665 S	*	11/2005	Sauter et al.	D8/50
D514,904 S	*	2/2006	Sauter et al.	D8/50

* cited by examiner

Primary Examiner—Cathron C. Brooks

Assistant Examiner—Austin Murphy

(74) *Attorney, Agent, or Firm*—Wolf Greenfield & Sacks
PC

(57) **CLAIM**

The ornamental design for a stapler base, as shown and described.

DESCRIPTION

FIG. 1 is a side, top, perspective view of the stapler base with a stapler head portion and bottom element shown thereof in phantom;

FIG. 2 is a front view thereof;

FIG. 3 is a rear view thereof;

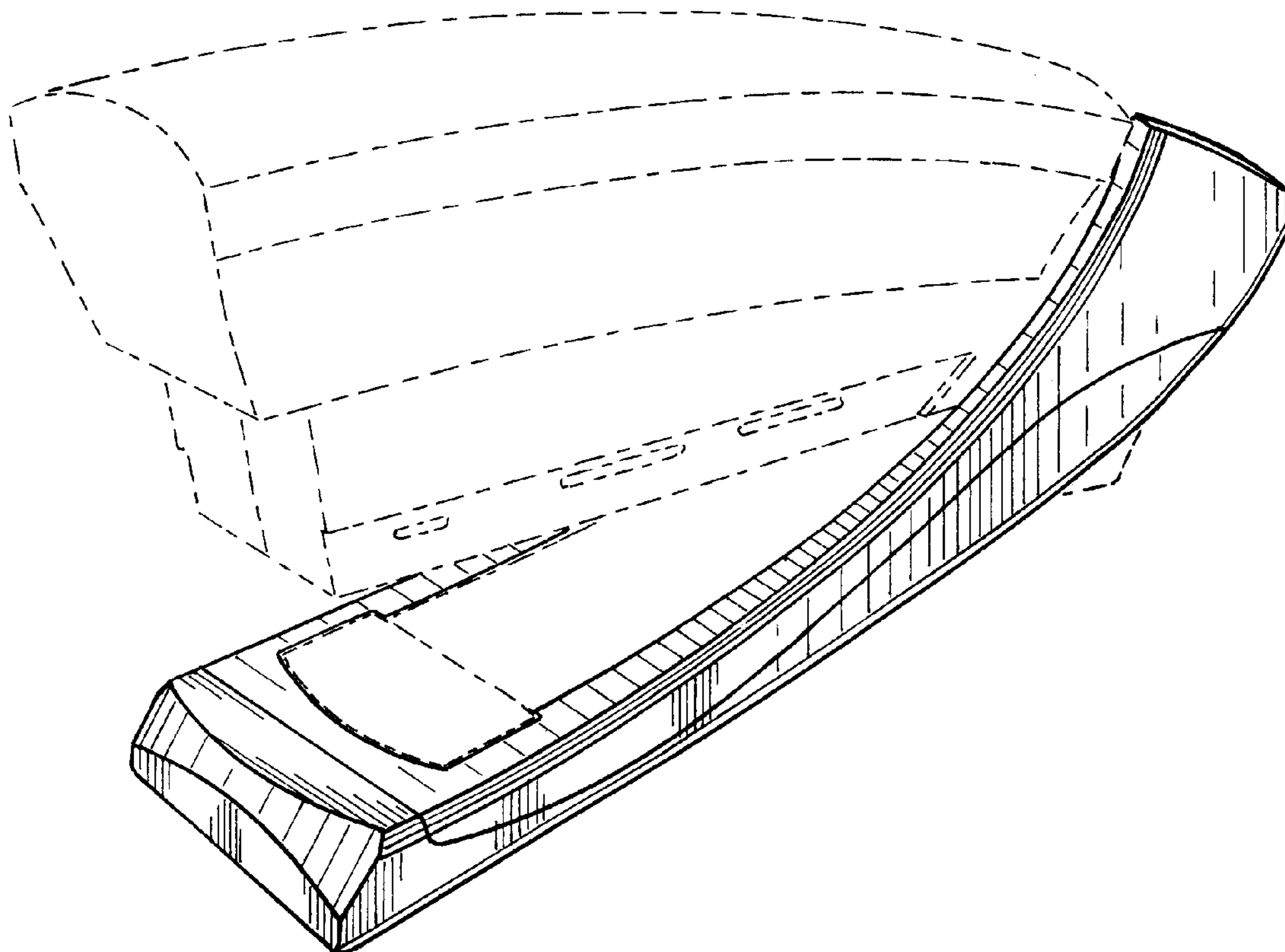
FIG. 4 is a right side view thereof, the left side view thereof being a mirror image thereof;

FIG. 5 is a top view thereof; and,

FIG. 6 is a bottom view thereof.

The broken lines shown in the drawings form no part of the claimed design.

1 Claim, 2 Drawing Sheets



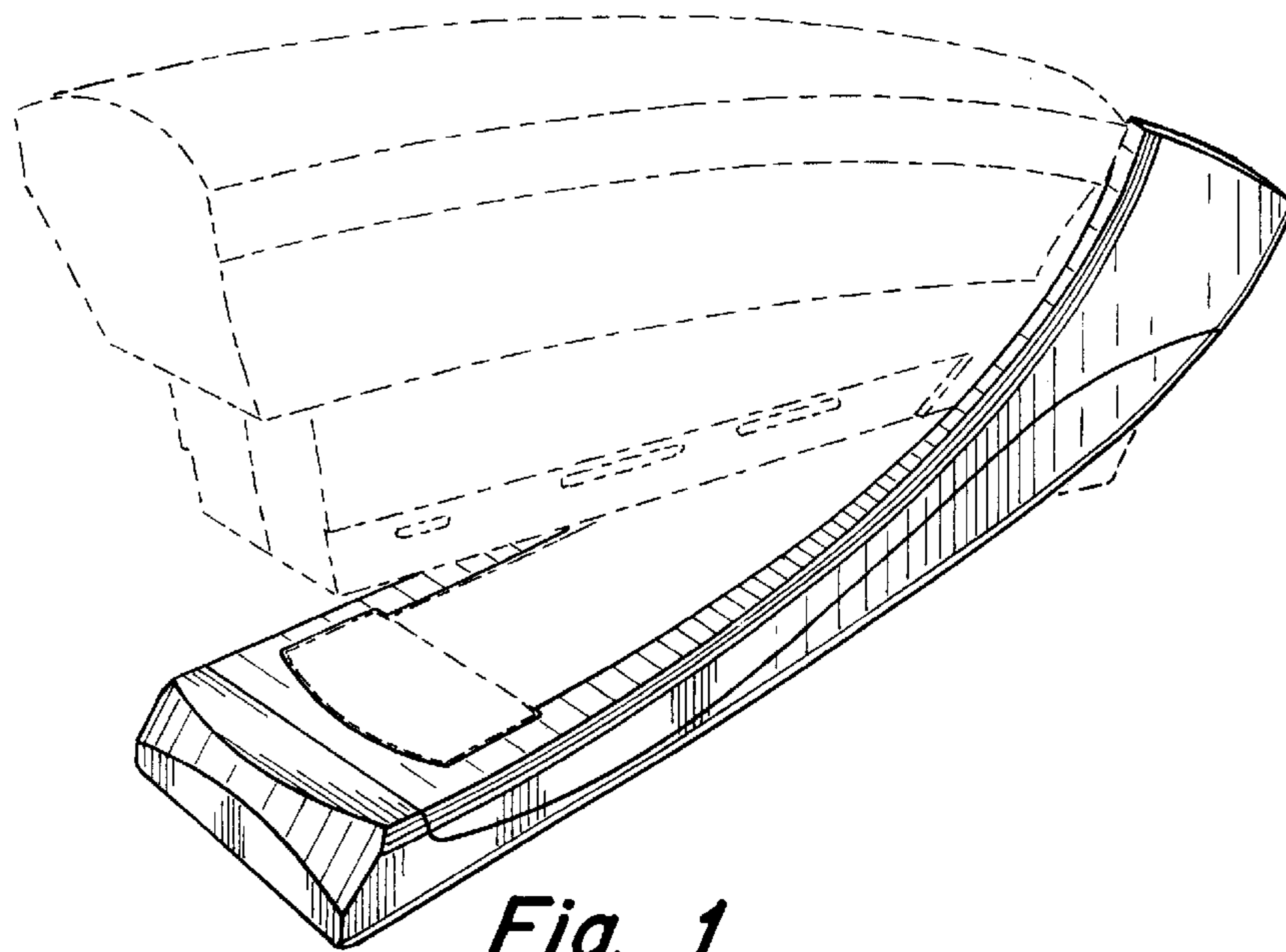


Fig. 1

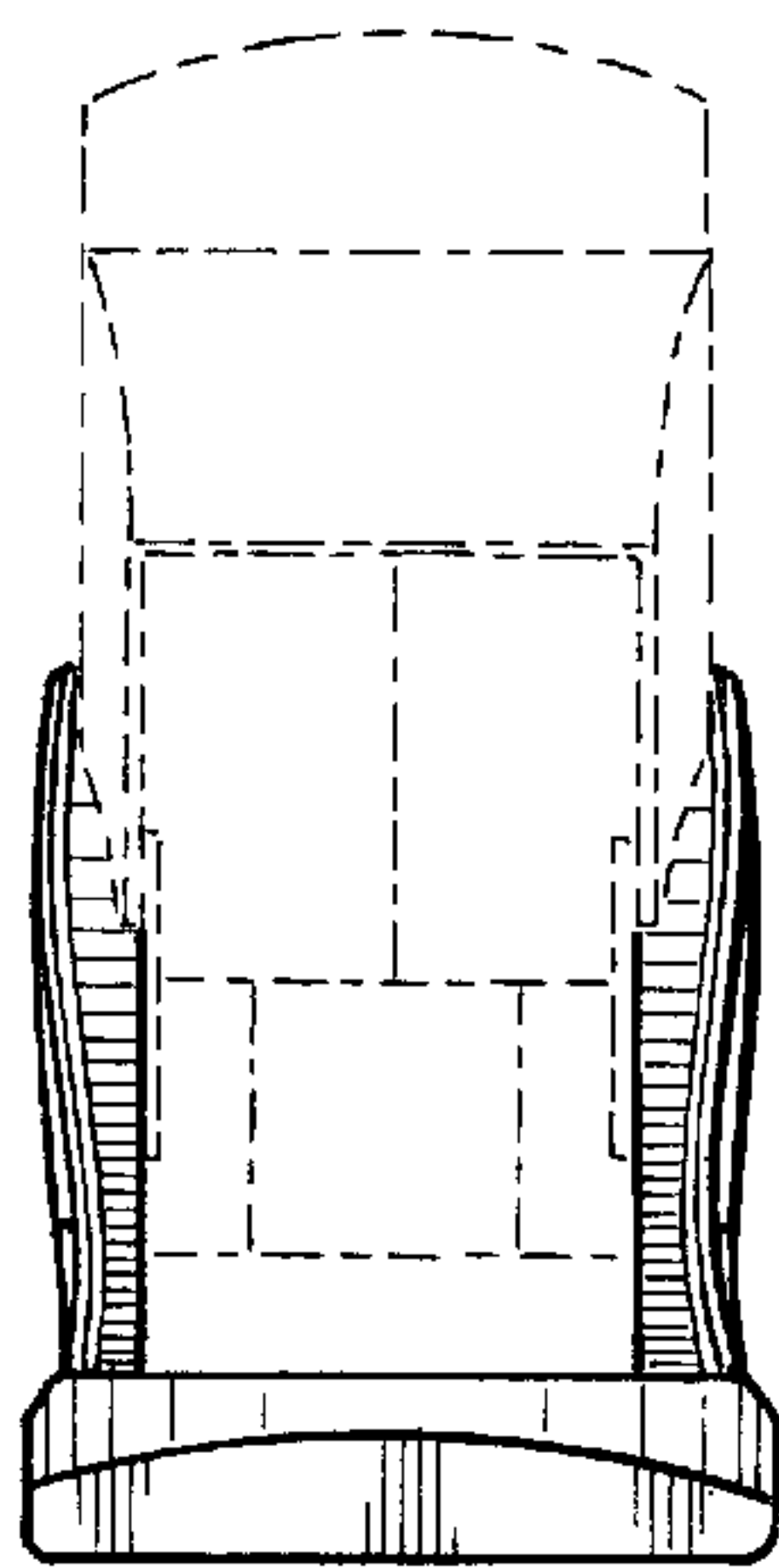


Fig. 2

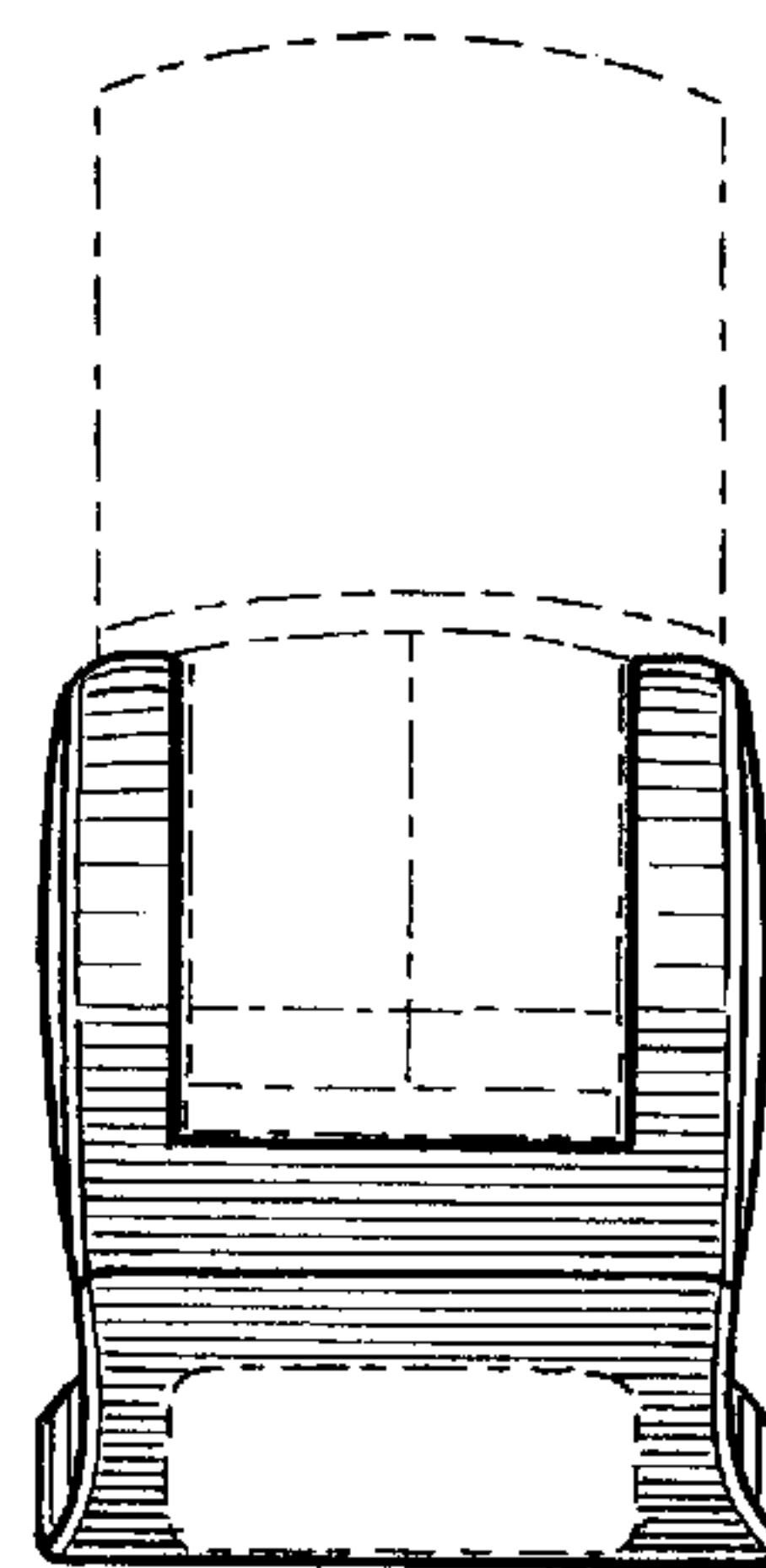


Fig. 3

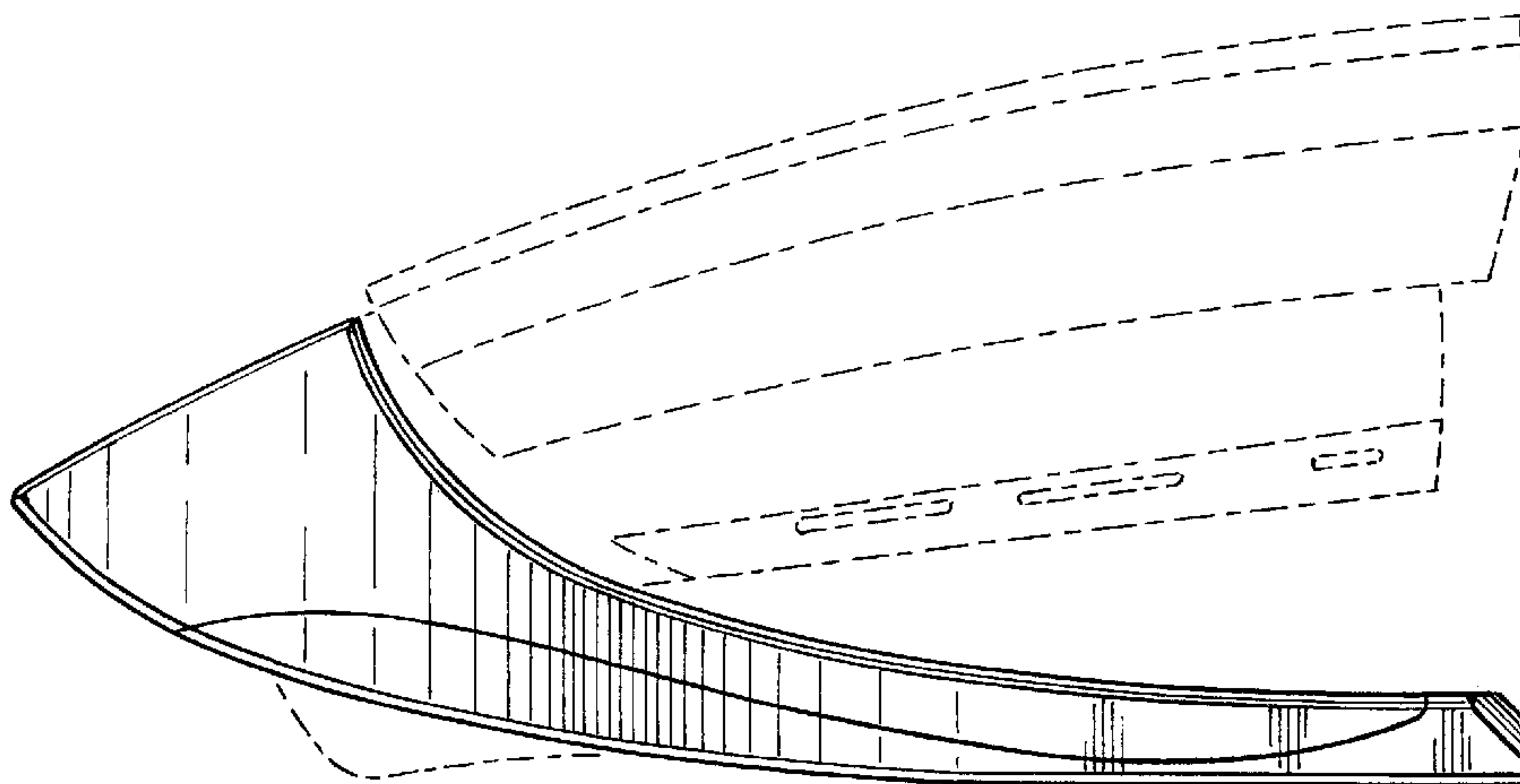


Fig. 4

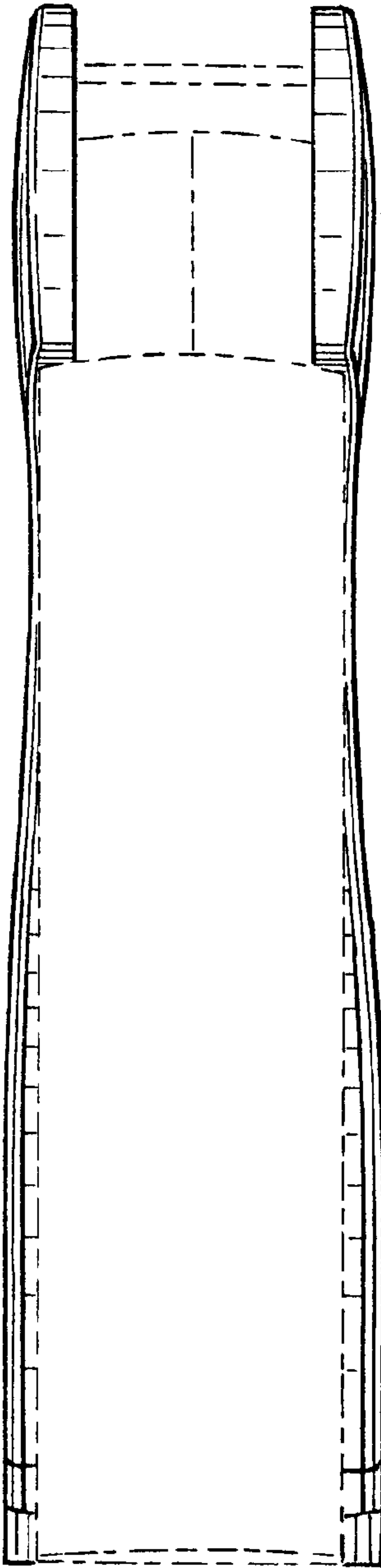


Fig. 5

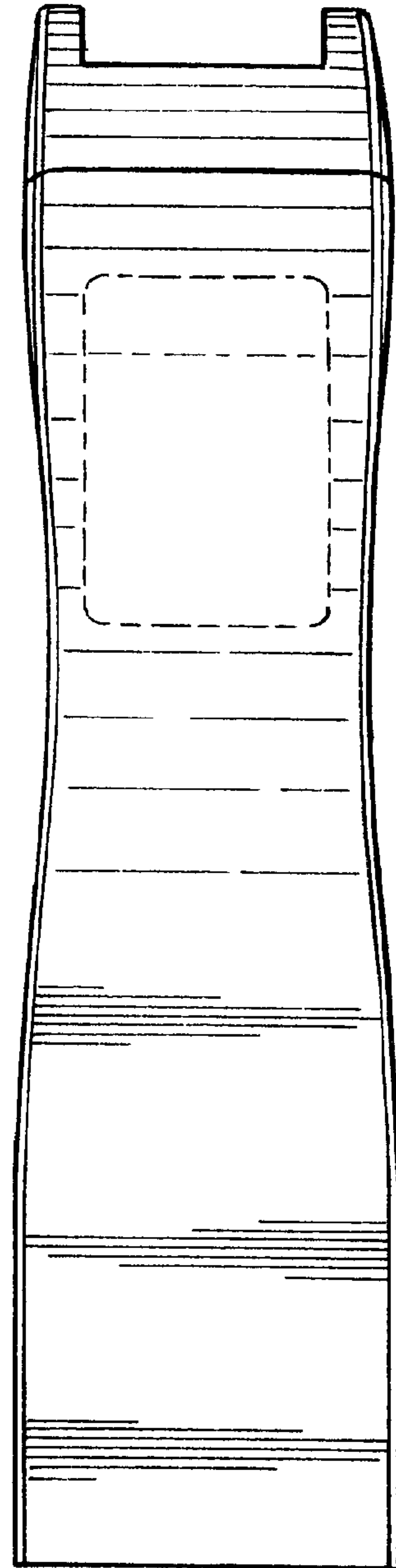


Fig. 6