



US00D537688S

(12) **United States Design Patent**  
**Kent et al.**

(10) **Patent No.:** **US D537,688 S**

(45) **Date of Patent:** **\*\* Mar. 6, 2007**

(54) **STAPLER HAND PORTION**

(75) Inventors: **Michael Kent**, Cumberland, RI (US);  
**William D. Hester**, Meriden, CT (US)

(73) Assignee: **Staples The Office Superstore, LLC**,  
Framingham, MA (US)

(\*\*) Term: **14 Years**

(21) Appl. No.: **29/237,570**

(22) Filed: **Sep. 1, 2005**

(51) **LOC (8) Cl.** ..... **19-02**

(52) **U.S. Cl.** ..... **D8/50**

(58) **Field of Classification Search** ..... D8/49,  
D8/50, 61; D19/65, 72; 227/120, 127, 128,  
227/131, 132, 134, 156  
See application file for complete search history.

(56) **References Cited**

**U.S. PATENT DOCUMENTS**

D414,091 S	*	9/1999	Rellinger	.....	D8/50
D436,009 S	*	1/2001	Chi Kuo	.....	D8/50
D470,025 S	*	2/2003	Joss et al.	.....	D8/50
D478,485 S	*	8/2003	Huang	.....	D8/50
D478,486 S	*	8/2003	Scola et al.	.....	D8/50
D479,678 S	*	9/2003	Huang	.....	D8/50
D492,174 S	*	6/2004	Huang	.....	D8/50

D502,850 S	*	3/2005	Sauter et al.	.....	D8/50
D502,851 S	*	3/2005	Sauter et al.	.....	D8/50
D511,283 S	*	11/2005	Sauter et al.	.....	D8/50
D511,665 S	*	11/2005	Sauter et al.	.....	D8/50
D514,904 S	*	2/2006	Sauter et al.	.....	D8/50

\* cited by examiner

*Primary Examiner*—Cathron C. Brooks

*Assistant Examiner*—Austin Murphy

(74) *Attorney, Agent, or Firm*—Wolf Greenfield & Sacks  
PC

(57) **CLAIM**

The ornamental design for a stapler hand portion, as shown and described.

**DESCRIPTION**

FIG. 1 is a side, top, perspective view of the stapler hand portion with the remaining portion of the stapler including the base shown thereof in phantom;

FIG. 2 is a front view thereof;

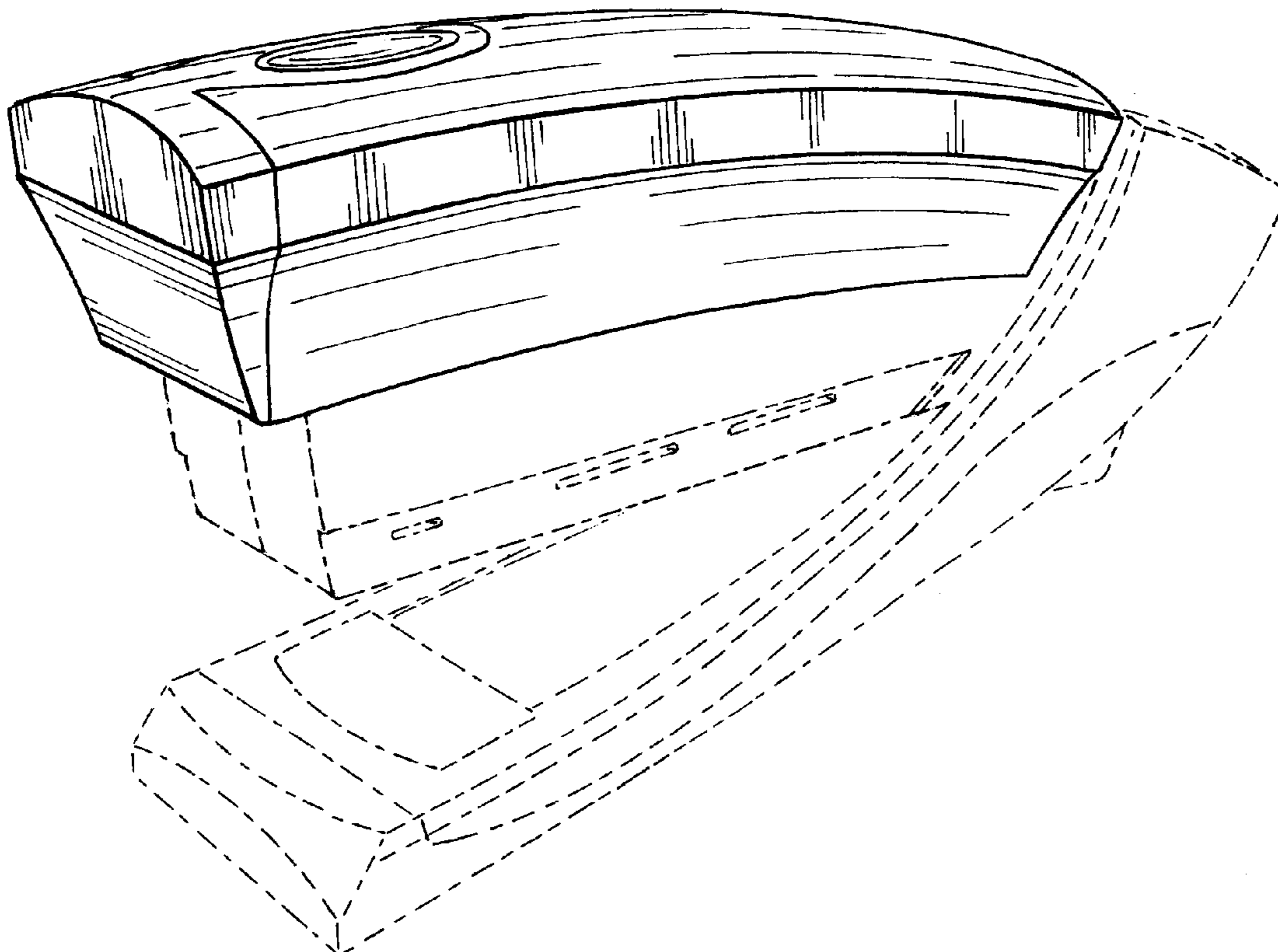
FIG. 3 is a rear view thereof;

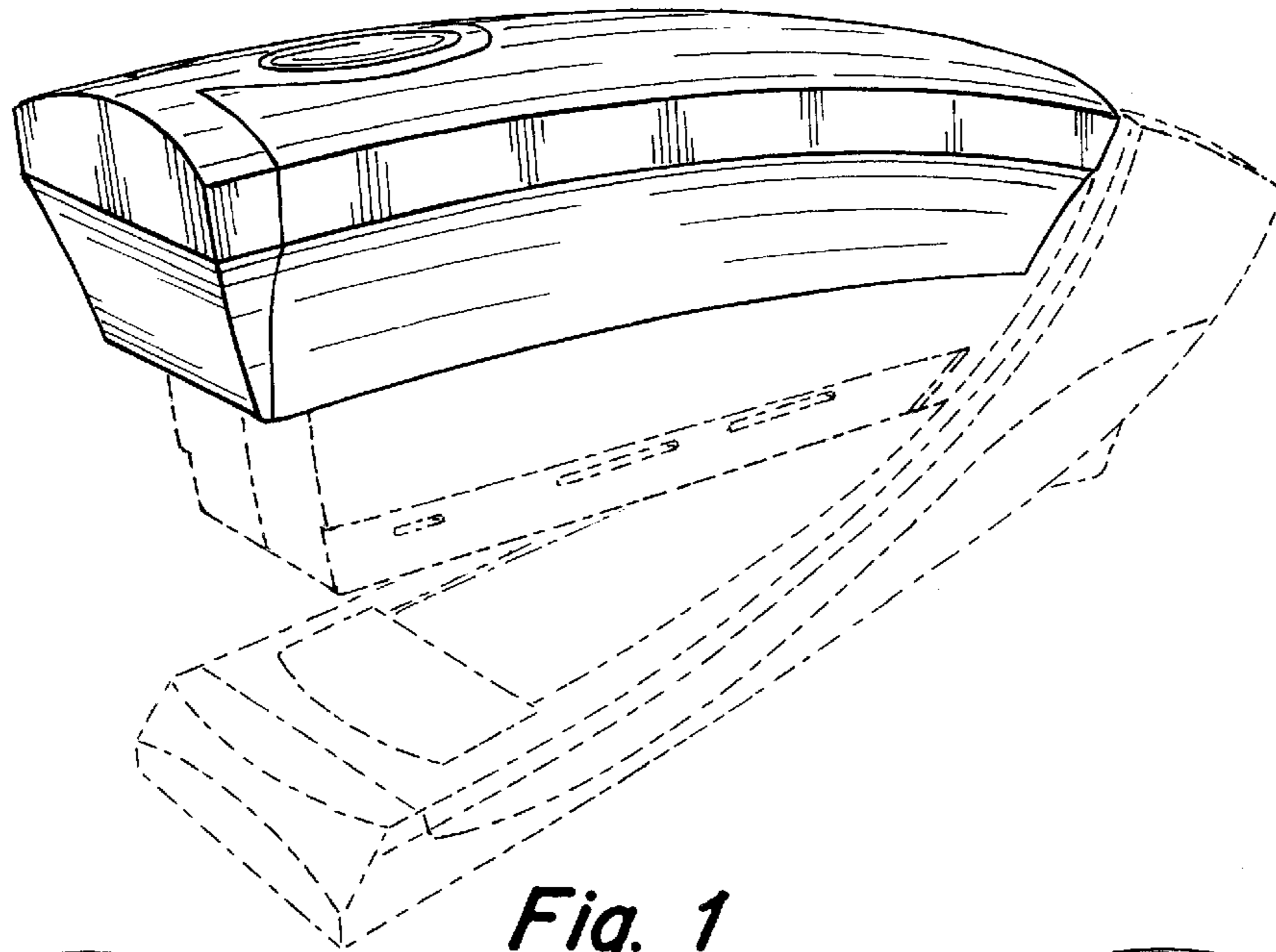
FIG. 4 is a right side view thereof, the left side view being the mirror image thereof; and,

FIG. 5 is a top view thereof.

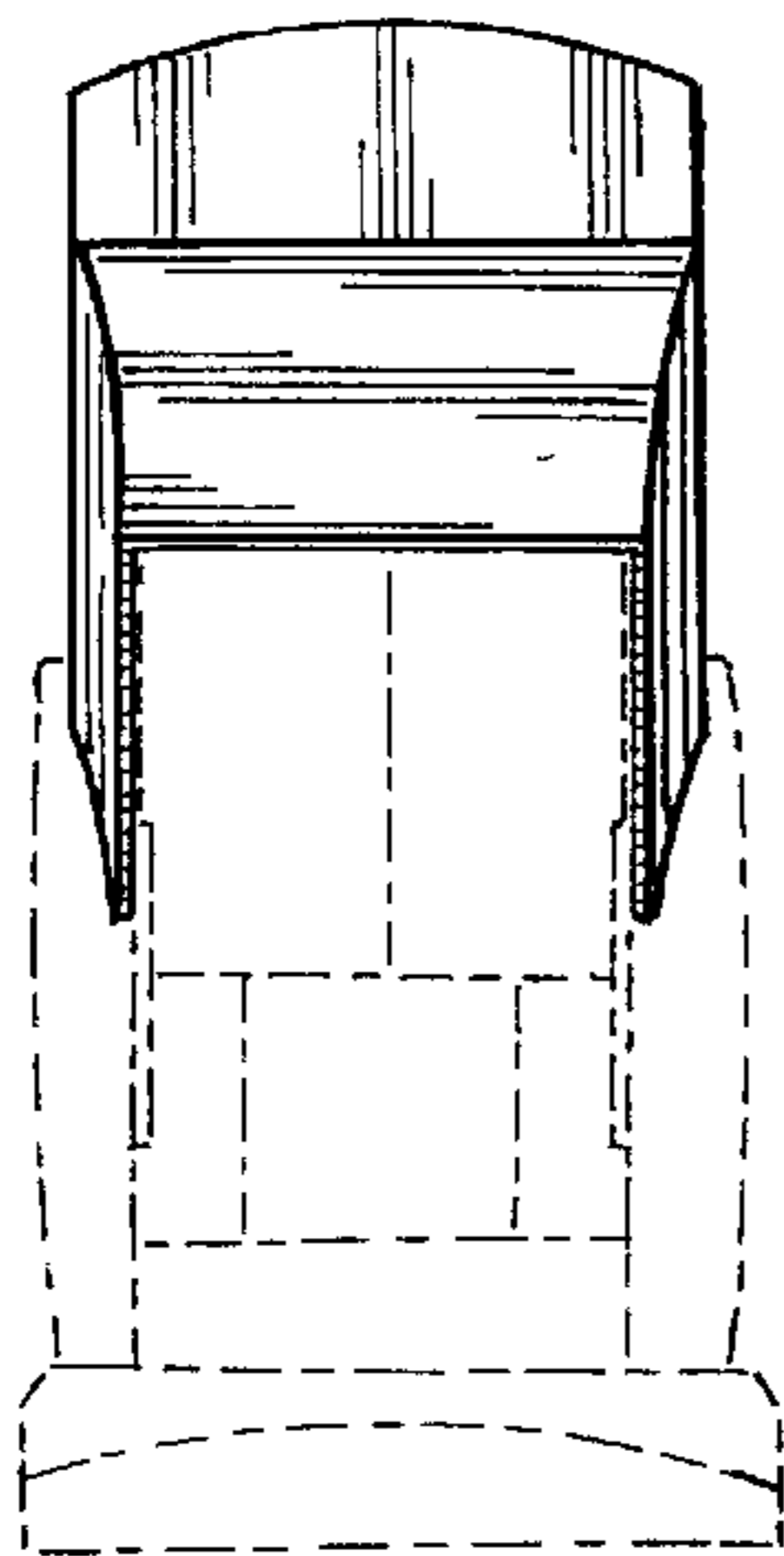
The broken lines shown in the drawings form no part of the claimed design.

**1 Claim, 2 Drawing Sheets**

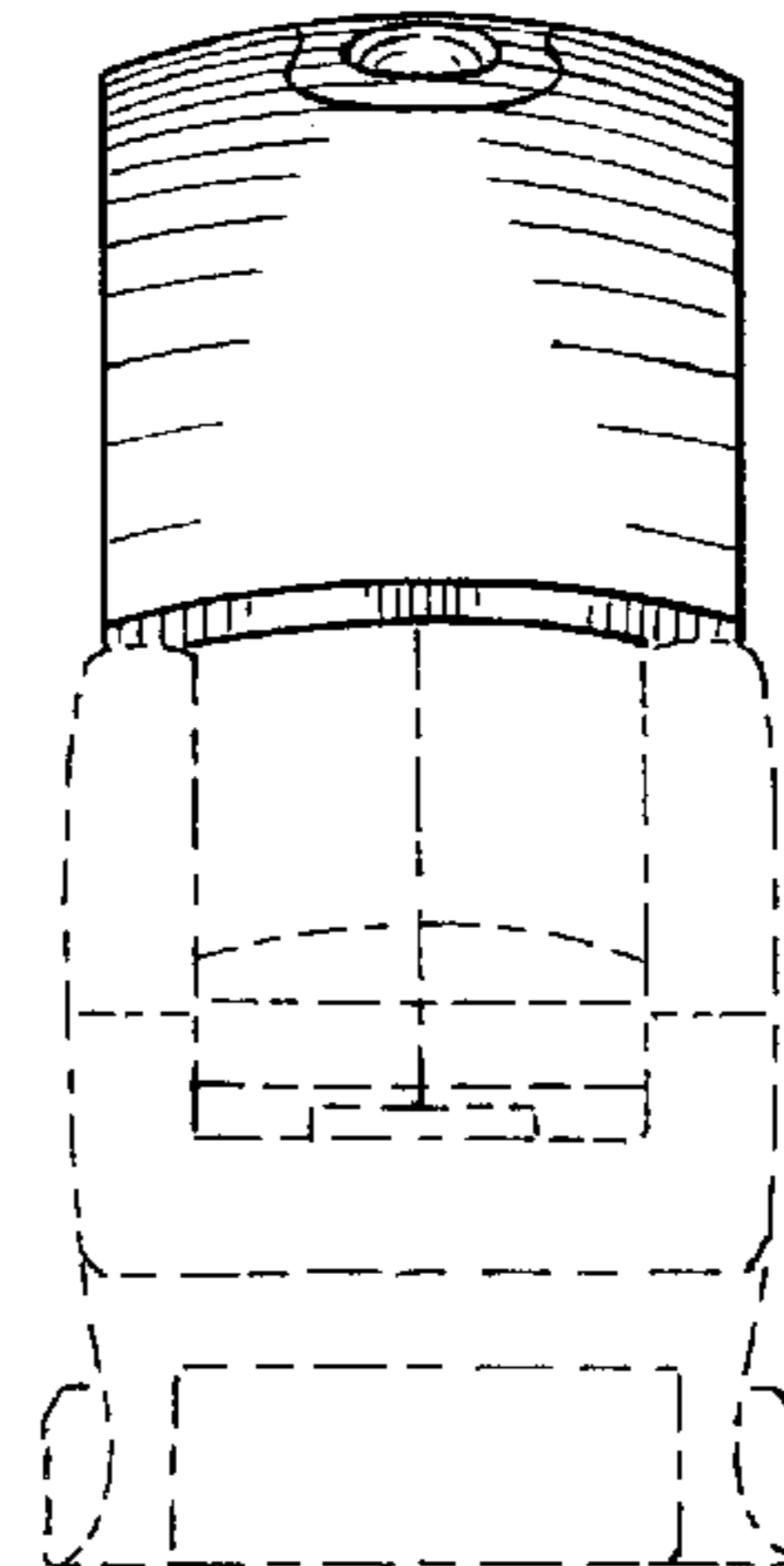




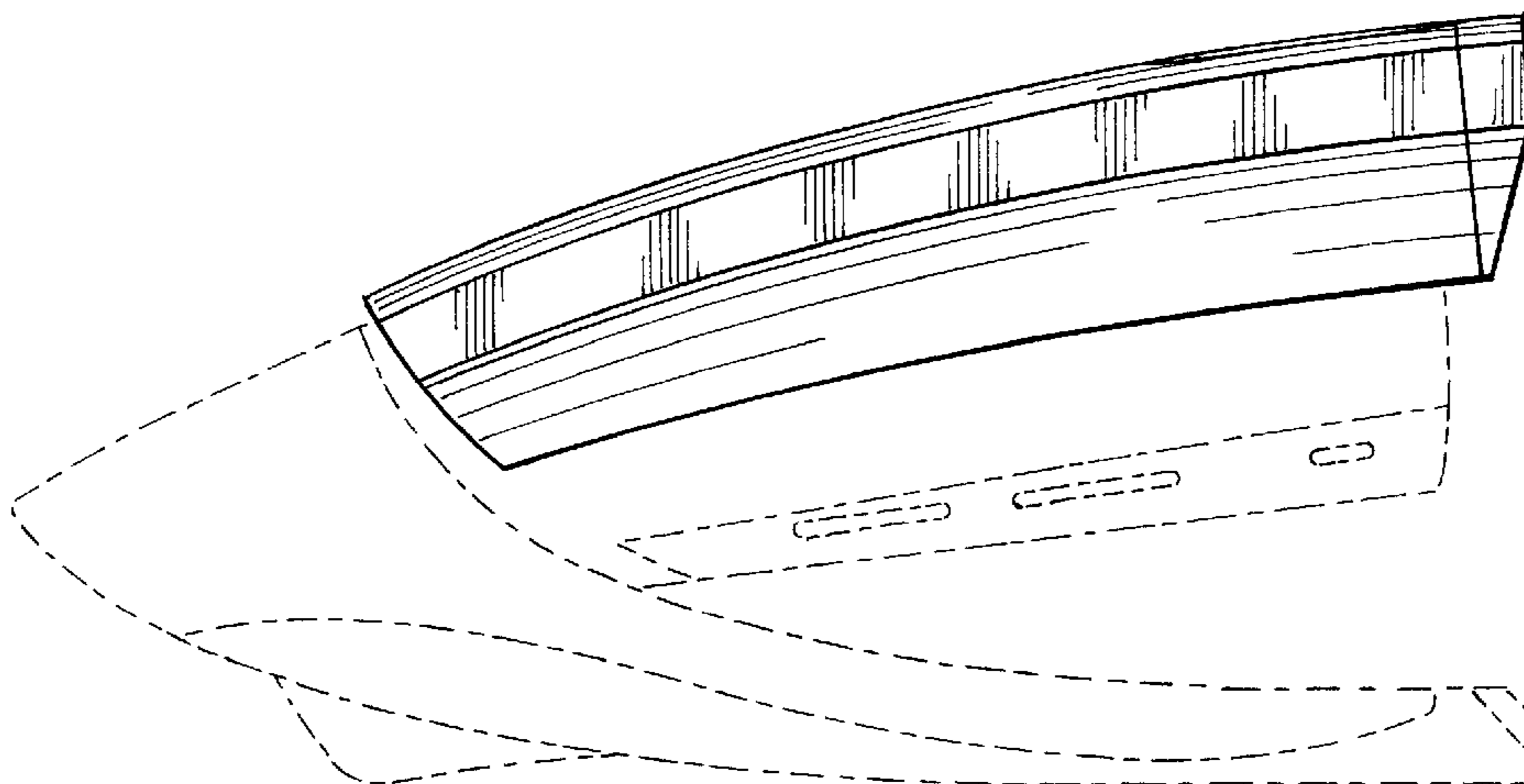
*Fig. 1*



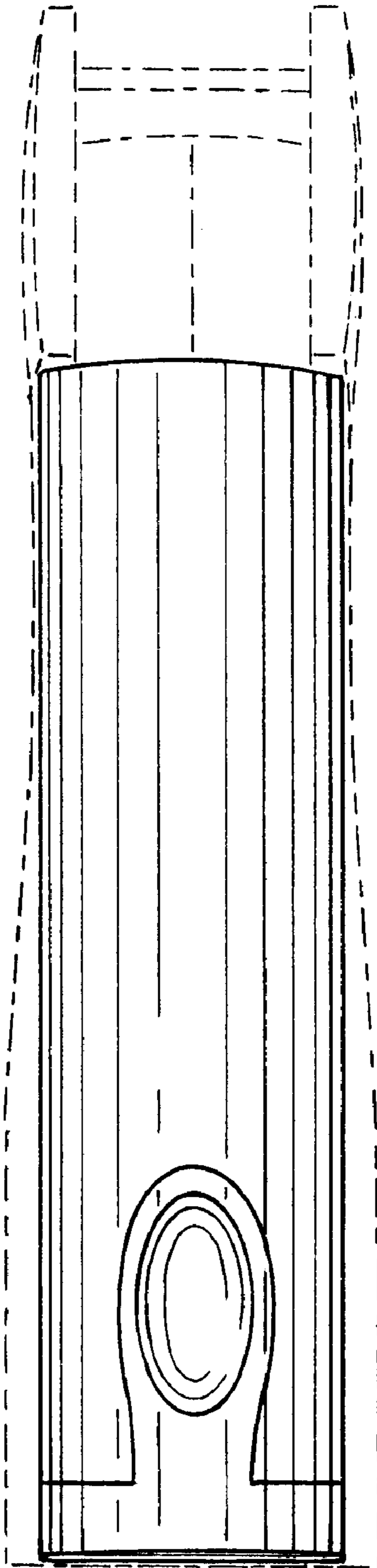
*Fig. 2*



*Fig. 3*



*Fig. 4*



*Fig. 5*