



US00D537687S

(12) **United States Design Patent**  
**Parlowski et al.**

(10) **Patent No.:** **US D537,687 S**

(45) **Date of Patent:** **\*\* Mar. 6, 2007**

(54) **CAN AND BOTTLE OPENER**

(75) Inventors: **Jurgen Parlowski**, Brooklyn, NY (US);  
**Troy Schuler**, Rancho Cucamonga, CA (US)

(73) Assignee: **Bradshaw International, Inc.**, Rancho Cucamonga, CA (US)

(\*\*) Term: **14 Years**

(21) Appl. No.: **29/211,067**

(22) Filed: **Aug. 11, 2004**

(51) **LOC (8) Cl.** ..... **07-99**

(52) **U.S. Cl.** ..... **D8/41**

(58) **Field of Classification Search** ..... D8/16,  
D8/18, 19, 33-43, 88, 98, 105; D7/372, 373,  
D7/381, 386, 665, 666, 669, 680; D27/142;  
7/113, 151-156; 30/1.5, 113.1, 113.2, 113.3,  
30/400-450; 81/3.07, 3.08, 3.09, 3.2, 3.27,  
81/3.35, 3.4, 3.45, 3.48, 3.49, 3.55, 3.57  
See application file for complete search history.

(56) **References Cited**

**U.S. PATENT DOCUMENTS**

D397,009 S	*	8/1998	Hon	.....	D8/39
D404,268 S	*	1/1999	Kennedy	.....	D8/33
D404,270 S	*	1/1999	Chang	.....	D8/40
D458,819 S	*	6/2002	Levien	.....	D8/39
D466,771 S	*	12/2002	Chang	.....	D8/41

D495,571 S	*	9/2004	Brousseau et al.	.....	D8/39
D499,941 S	*	12/2004	Levien et al.	.....	D7/666
D503,598 S	*	4/2005	So	.....	D8/39
D509,412 S	*	9/2005	Lee	.....	D7/680
D510,690 S	*	10/2005	Greiner	.....	D8/40
D511,949 S	*	11/2005	Lee	.....	D8/39
D522,824 S	*	6/2006	McGuyer	.....	D8/41
D523,306 S	*	6/2006	Thornton	.....	D8/41

\* cited by examiner

*Primary Examiner*—Robert M. Spear

*Assistant Examiner*—Garth Rademaker

(74) *Attorney, Agent, or Firm*—Birch, Stewart, Kolasch & Birch, LLP

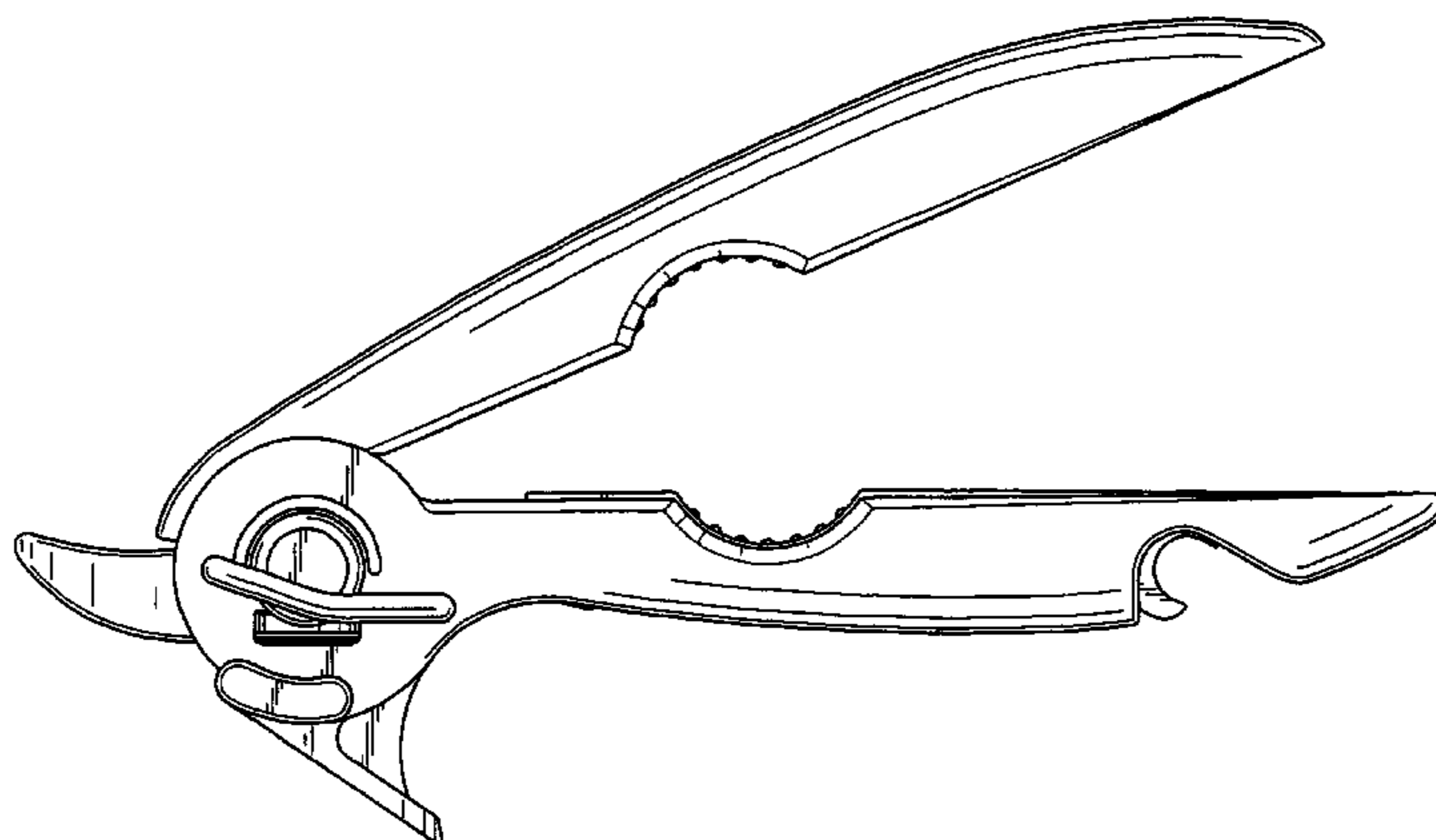
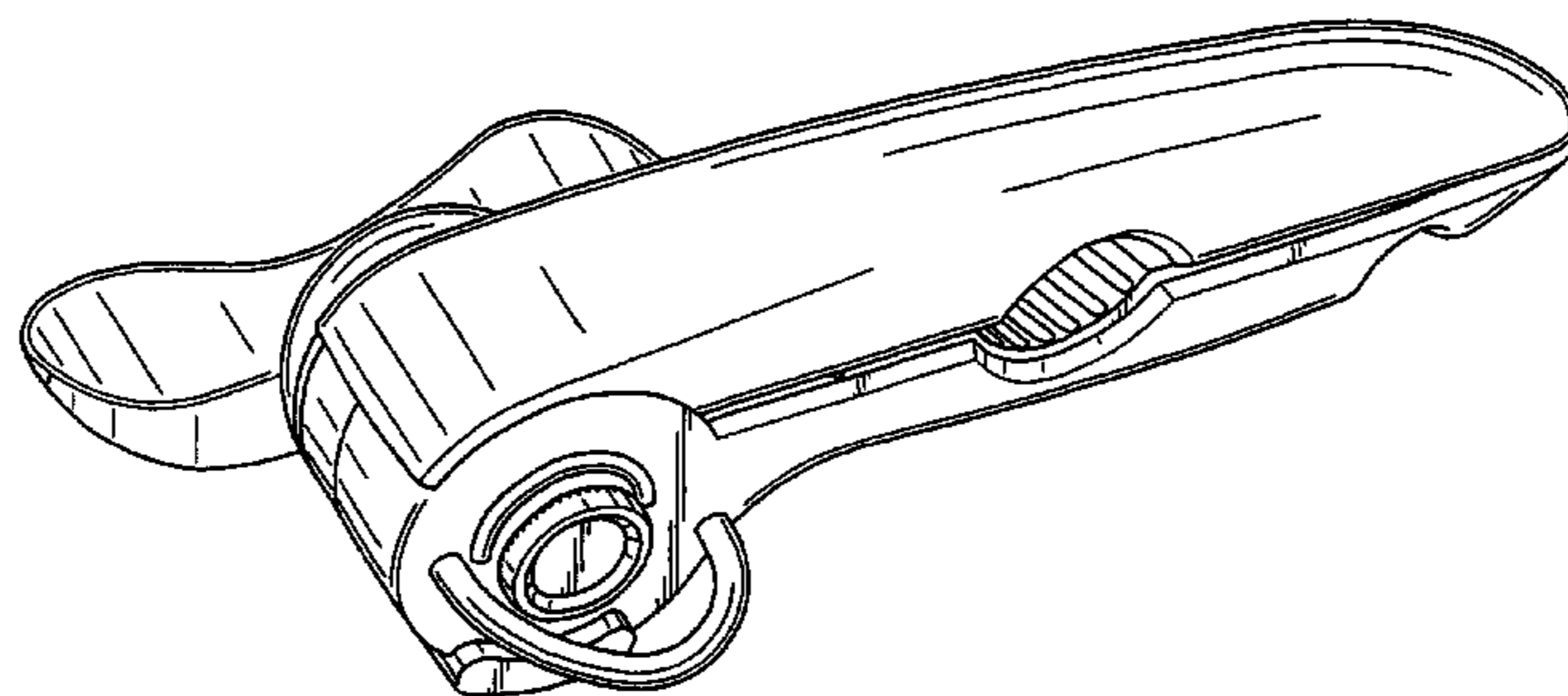
(57) **CLAIM**

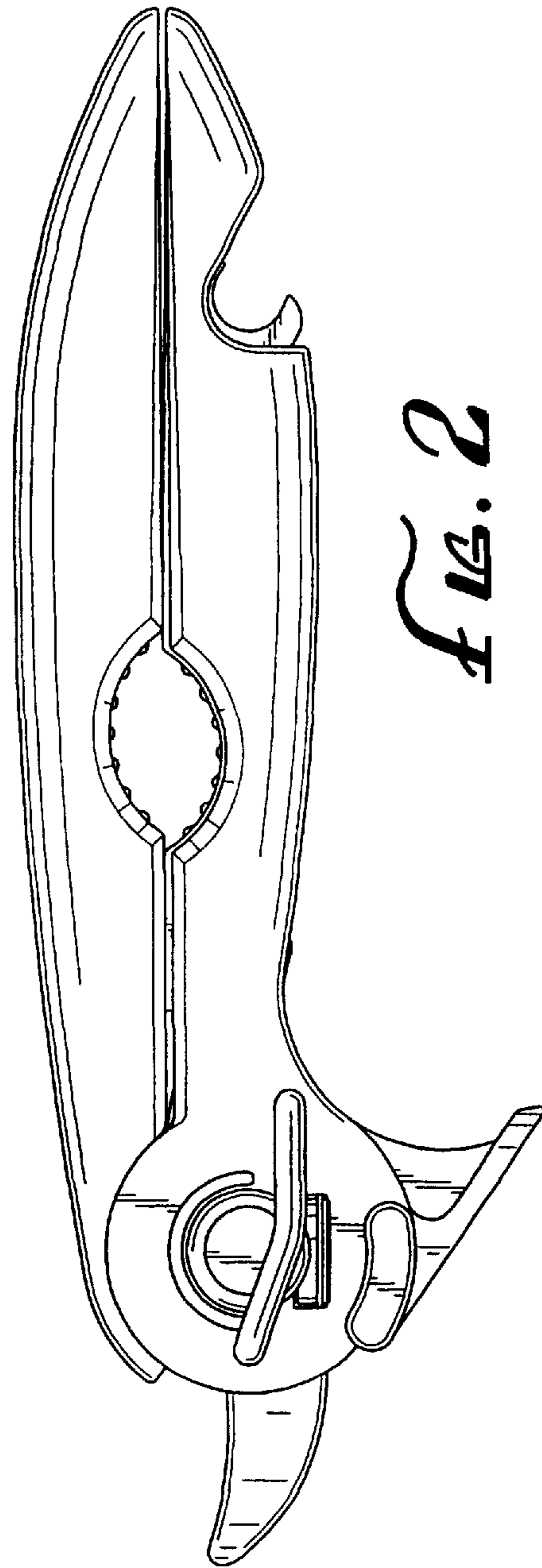
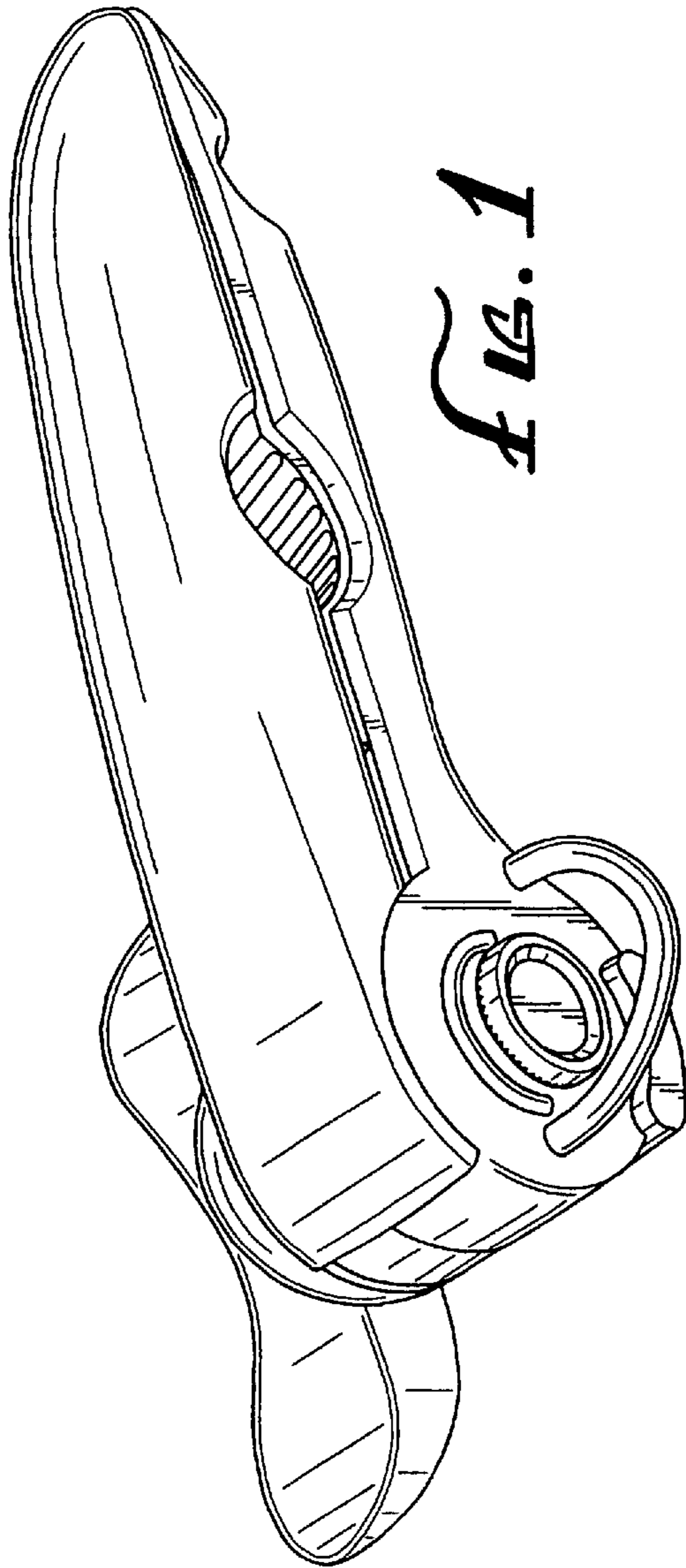
The ornamental for a can and bottle opener, as shown and described.

**DESCRIPTION**

FIG. 1 is a top perspective view of a can and bottle opener embodying our new design;  
FIG. 2 is a left side elevational view thereof;  
FIG. 3 is a right side elevational thereof;  
FIG. 4 is a top plan view thereof;  
FIG. 5 is a bottom plan view thereof;  
FIG. 6 is a front elevational view thereof;  
FIG. 7 is a rear elevational view thereof; and,  
FIG. 8 is a left side elevational view thereof, with the can and bottle opener in an open position.

**1 Claim, 4 Drawing Sheets**





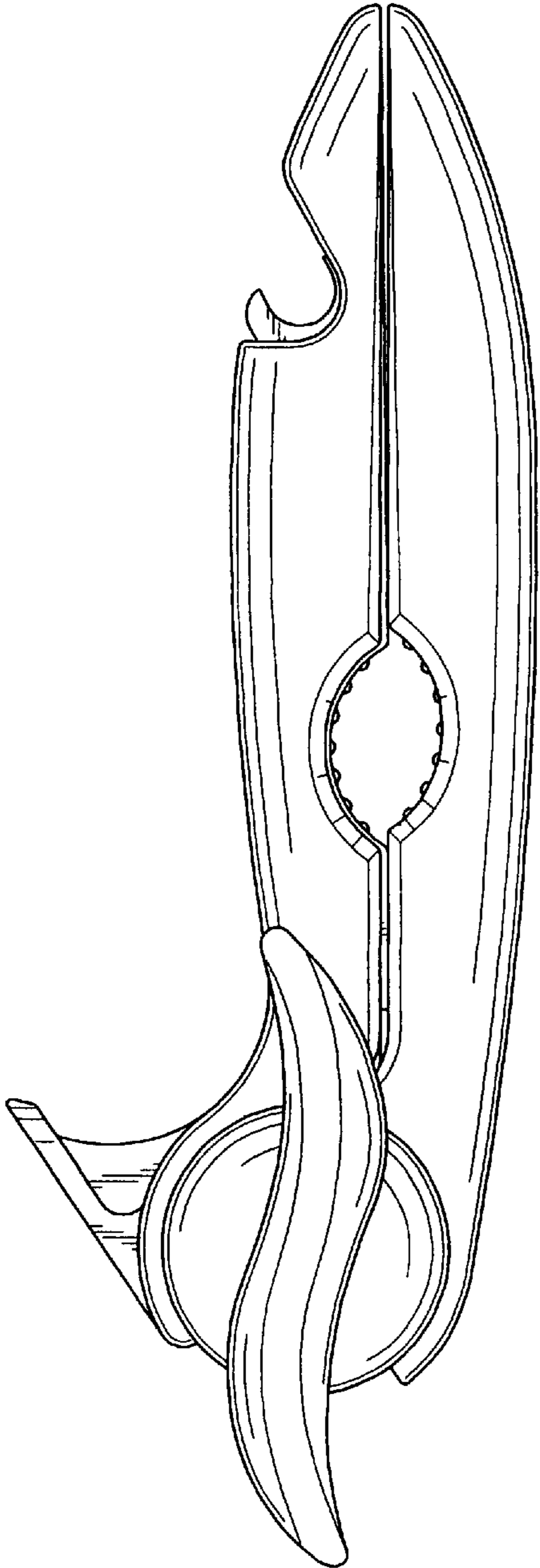


FIG. 3

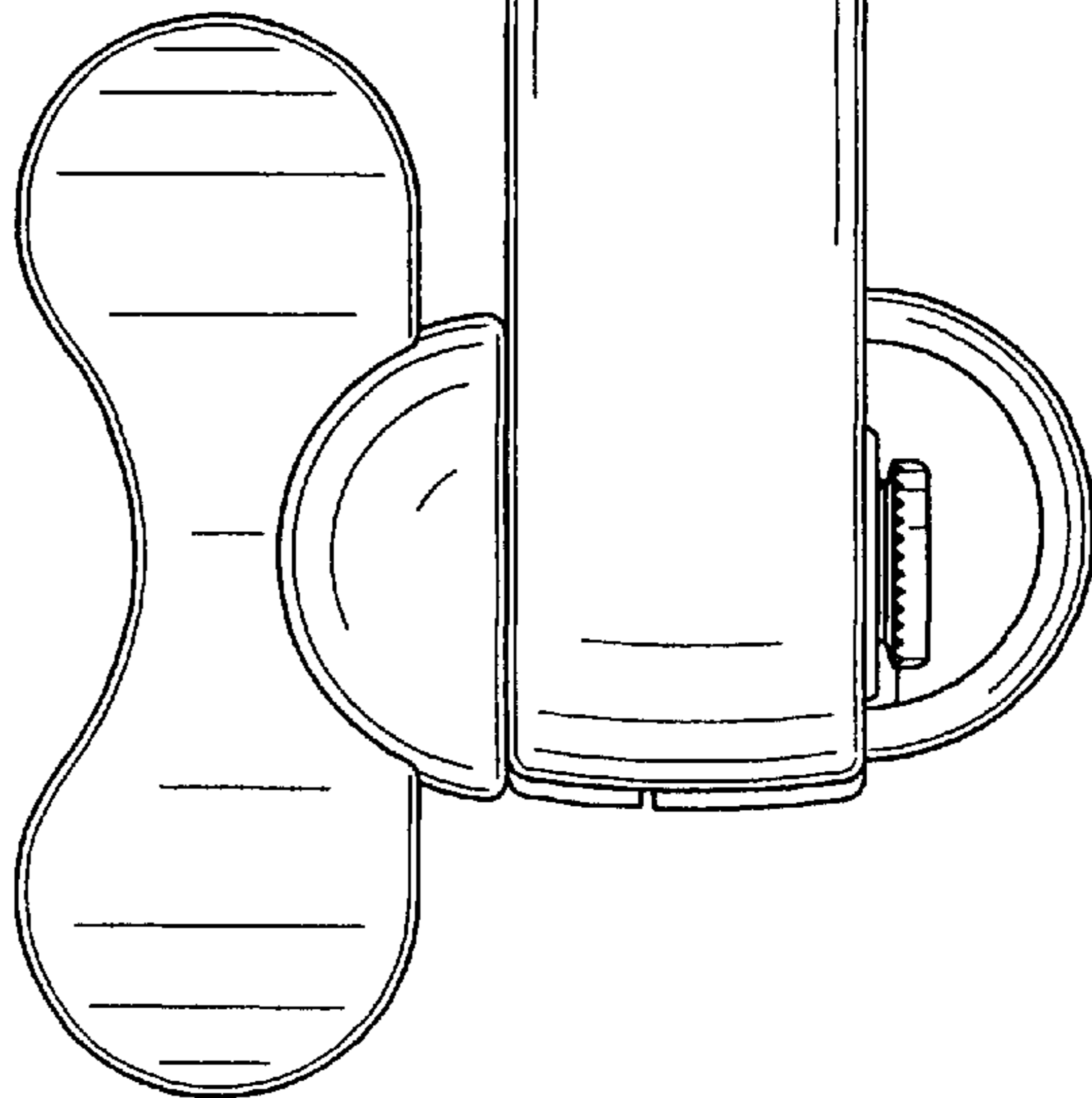
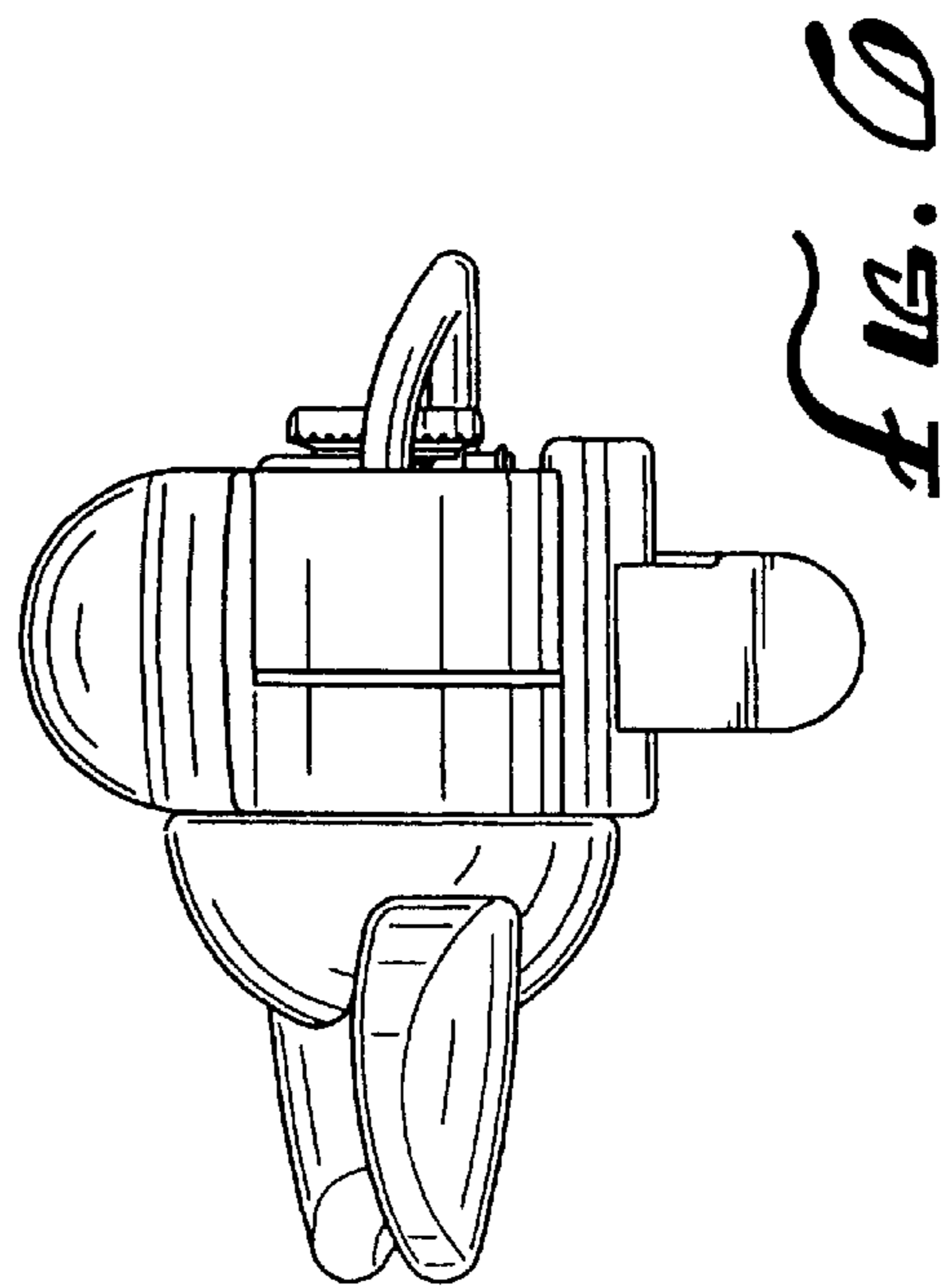
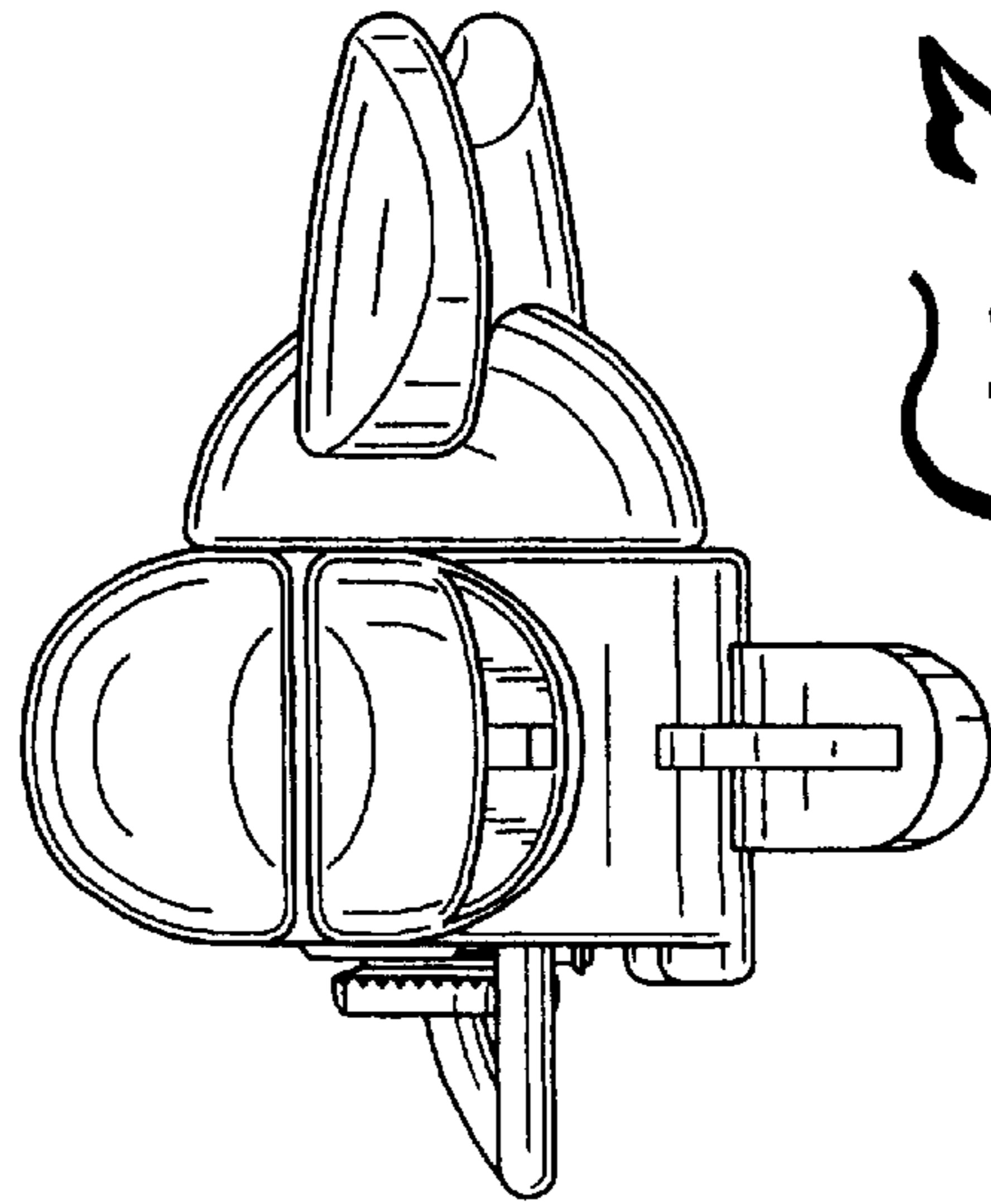
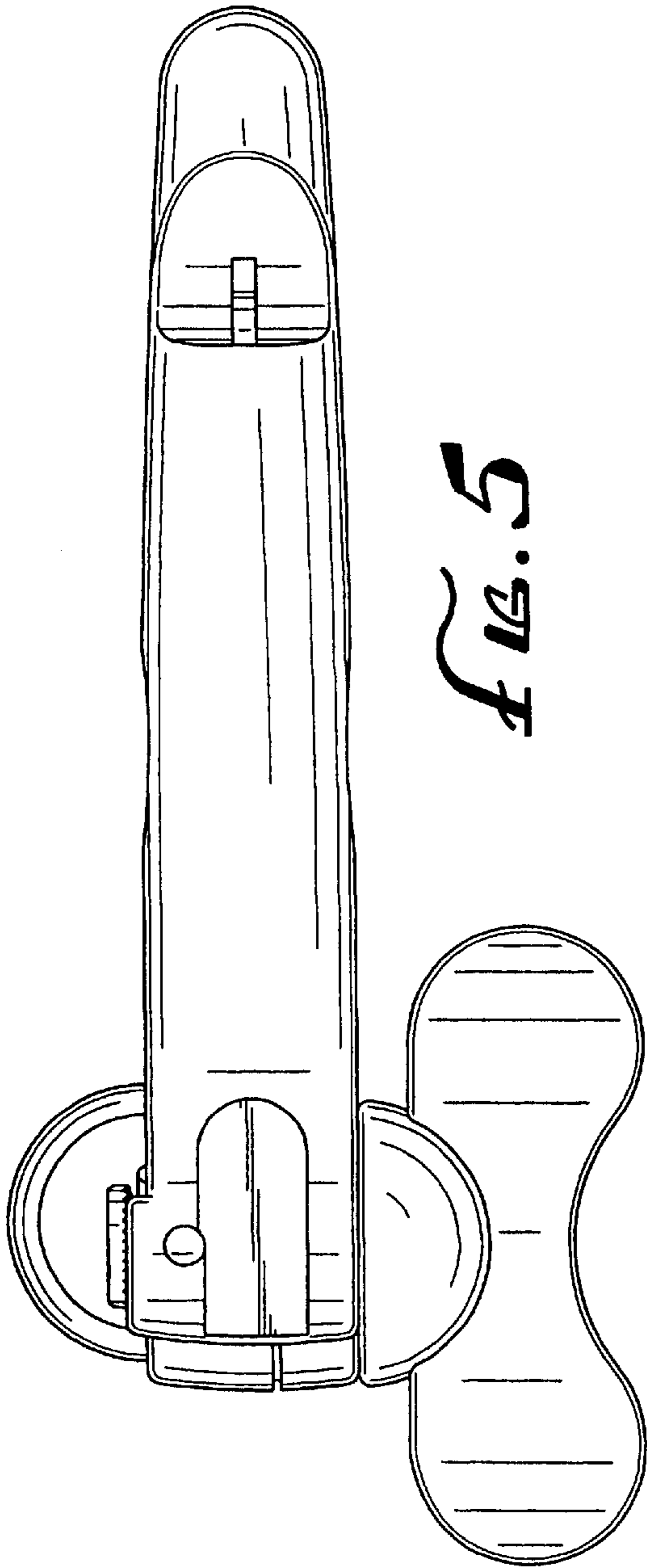


FIG. 4



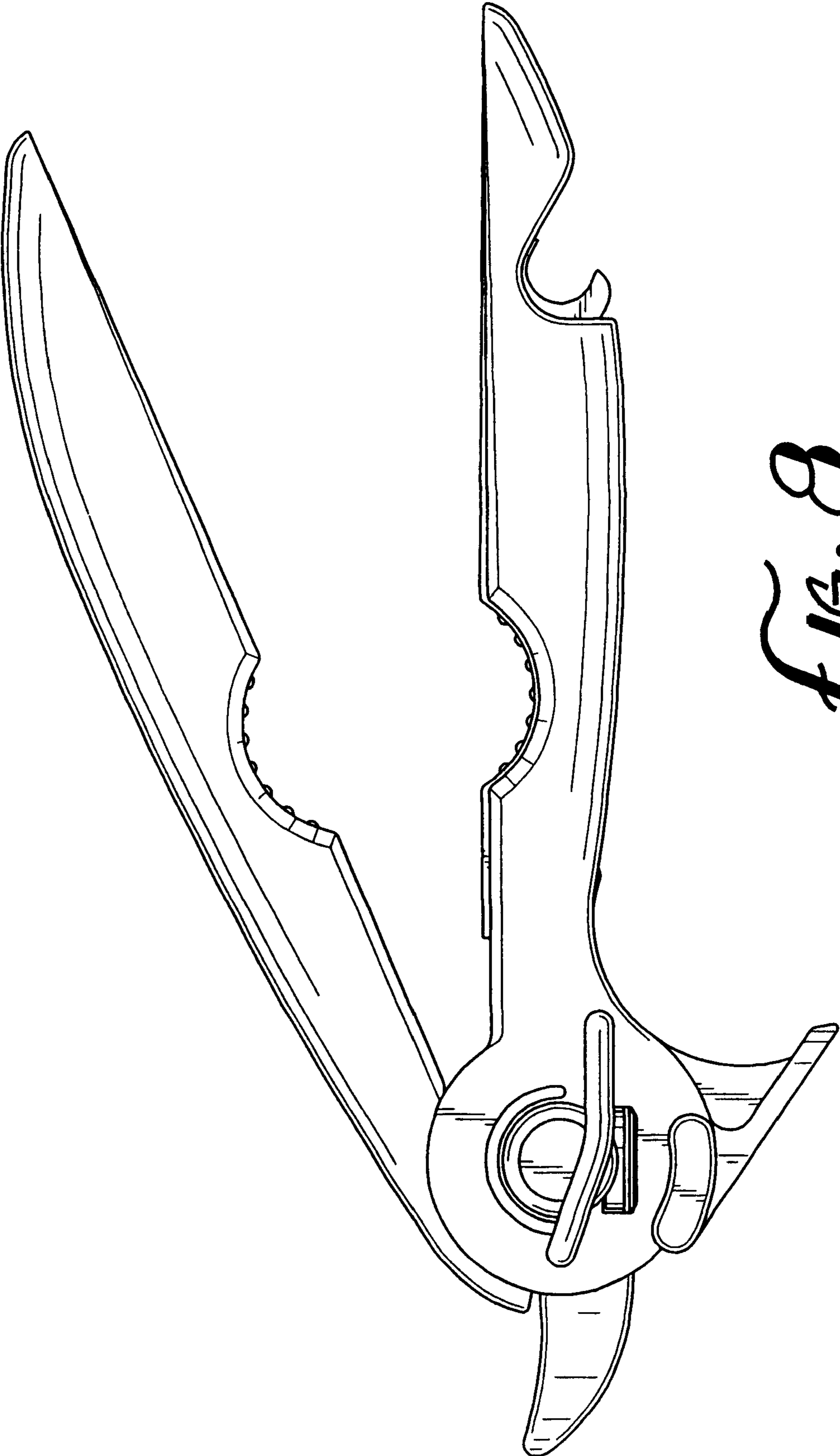


Fig. 8