



US00D537686S

(12) **United States Design Patent**
Yates

(10) **Patent No.:** **US D537,686 S**
(45) **Date of Patent:** **** Mar. 6, 2007**

(54) **FOUR PRONG WEED REMOVER**

(76) Inventor: **Davis V. Yates**, 1826 Stonecrest Ct.,
Lakeland, FL (US) 33813

(**) Term: **14 Years**

(21) Appl. No.: **29/230,102**

(22) Filed: **May 17, 2005**

(51) **LOC (8) Cl.** **08-05**

(52) **U.S. Cl.** **D8/7**

(58) **Field of Classification Search** D8/7,
D8/8; 172/111

See application file for complete search history.

(56) **References Cited**

U.S. PATENT DOCUMENTS

3,561,540	A	*	2/1971	Kaszkurewicz	172/111
D347,773	S	*	6/1994	Nash	D8/8
5,540,287	A	*	7/1996	Zaharia et al.	172/111
D376,741	S	*	12/1996	Sadlowski, Sr.	D8/8
5,632,344	A	*	5/1997	Fix	172/111
D386,370	S	*	11/1997	Oxley et al.	D8/8
5,909,778	A	*	6/1999	Acosta et al.	172/111

* cited by examiner

Primary Examiner—Holly H. Baynham

(74) *Attorney, Agent, or Firm*—Larson & Larson; Herbert W. Larson; Frank Liebenow

(57) **CLAIM**

The ornamental design for a four prong weed remover, as shown and described.

DESCRIPTION

FIG. 1 is a front elevational view of the four prong weed remover, showing my novel design;
FIG. 2 is a rear elevational view thereof;
FIG. 3 is a left side view thereof;
FIG. 4 is a right side view thereof;
FIG. 5 is a top plan view thereof;
FIG. 6 is a bottom plan view thereof; and,
FIG. 7 is a perspective view of the four prong weed remover of the present invention as shown attached to a hand drill.
The broken lines shown are for illustrative purposes only and form no part of the claimed design.

1 Claim, 4 Drawing Sheets

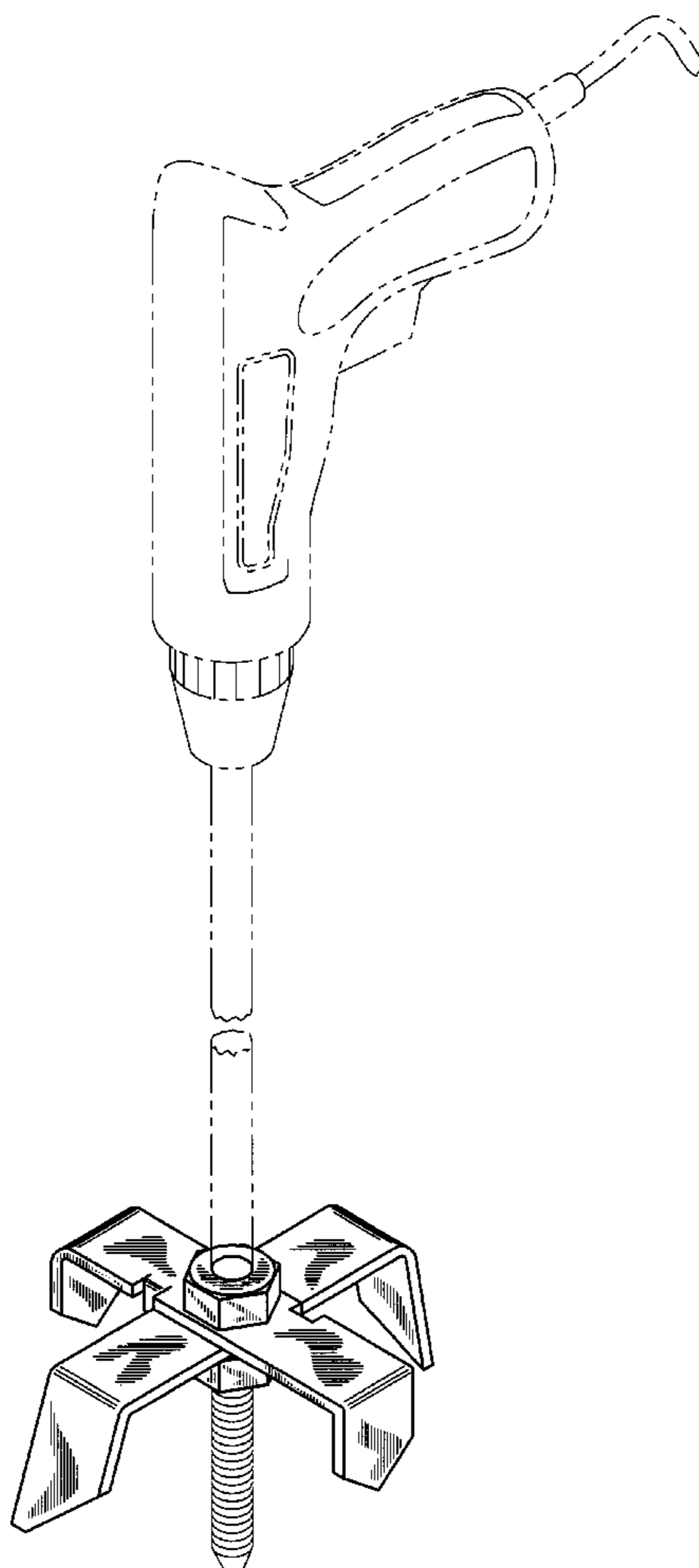


FIG. 1

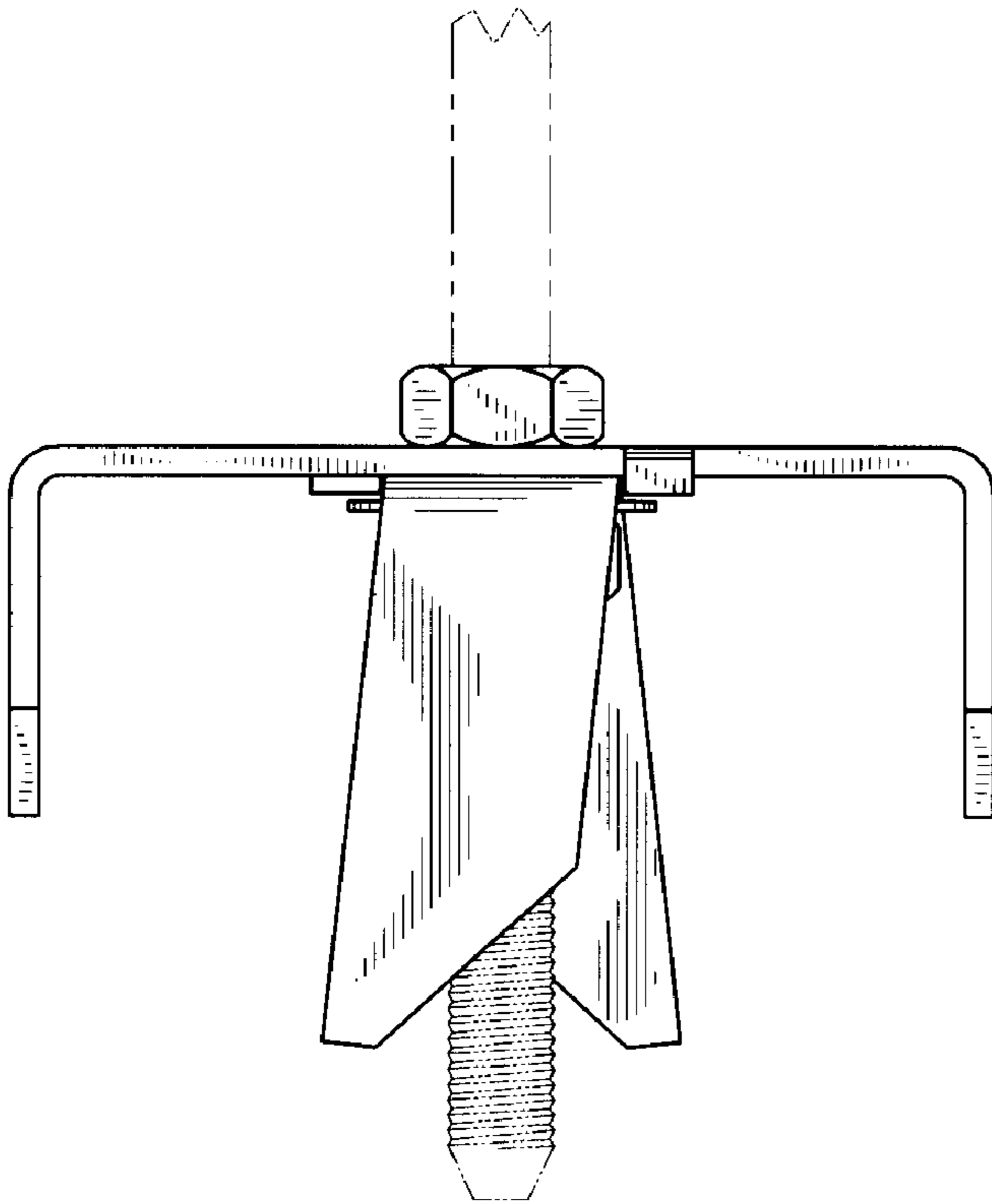


FIG. 2

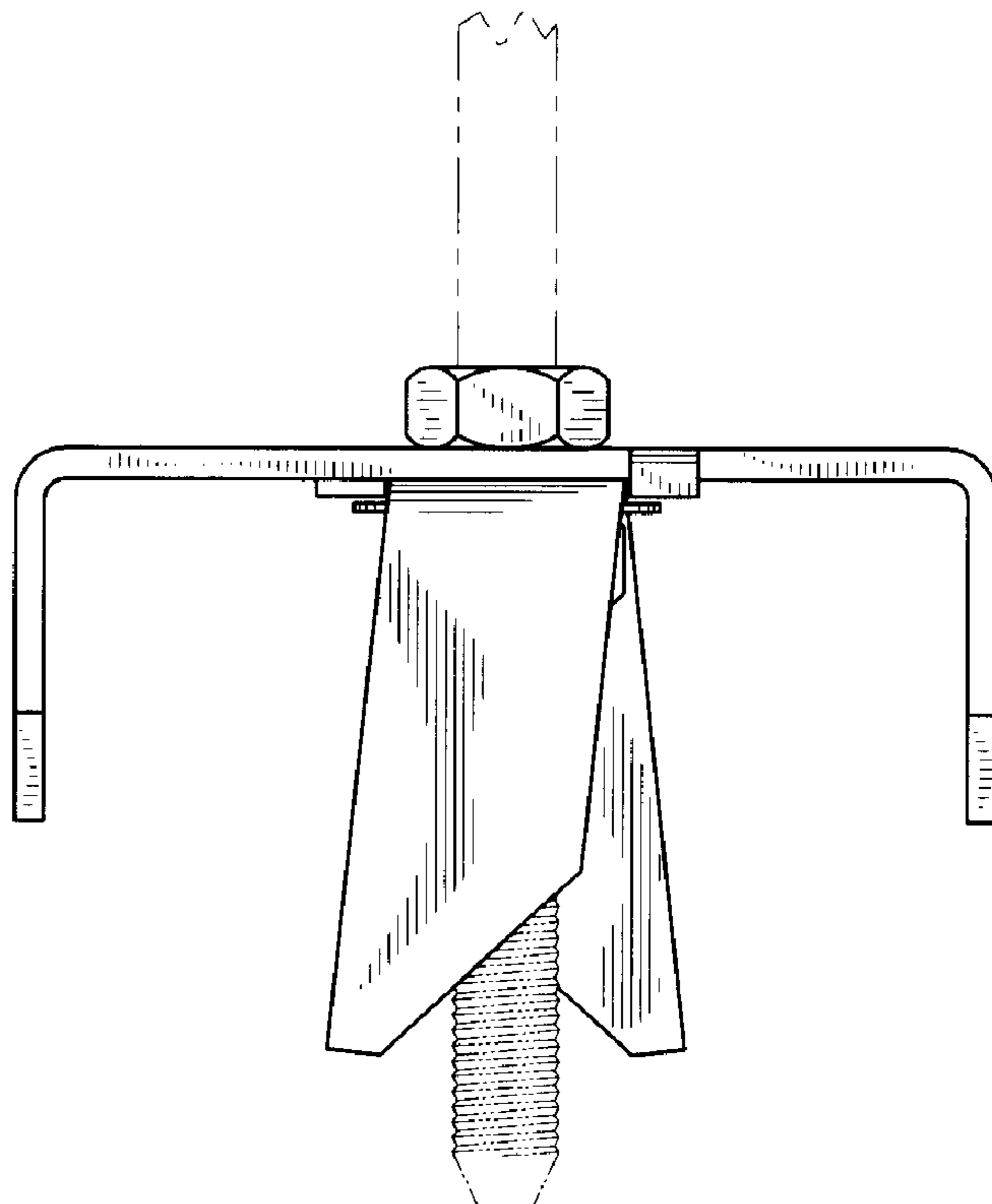


FIG. 3

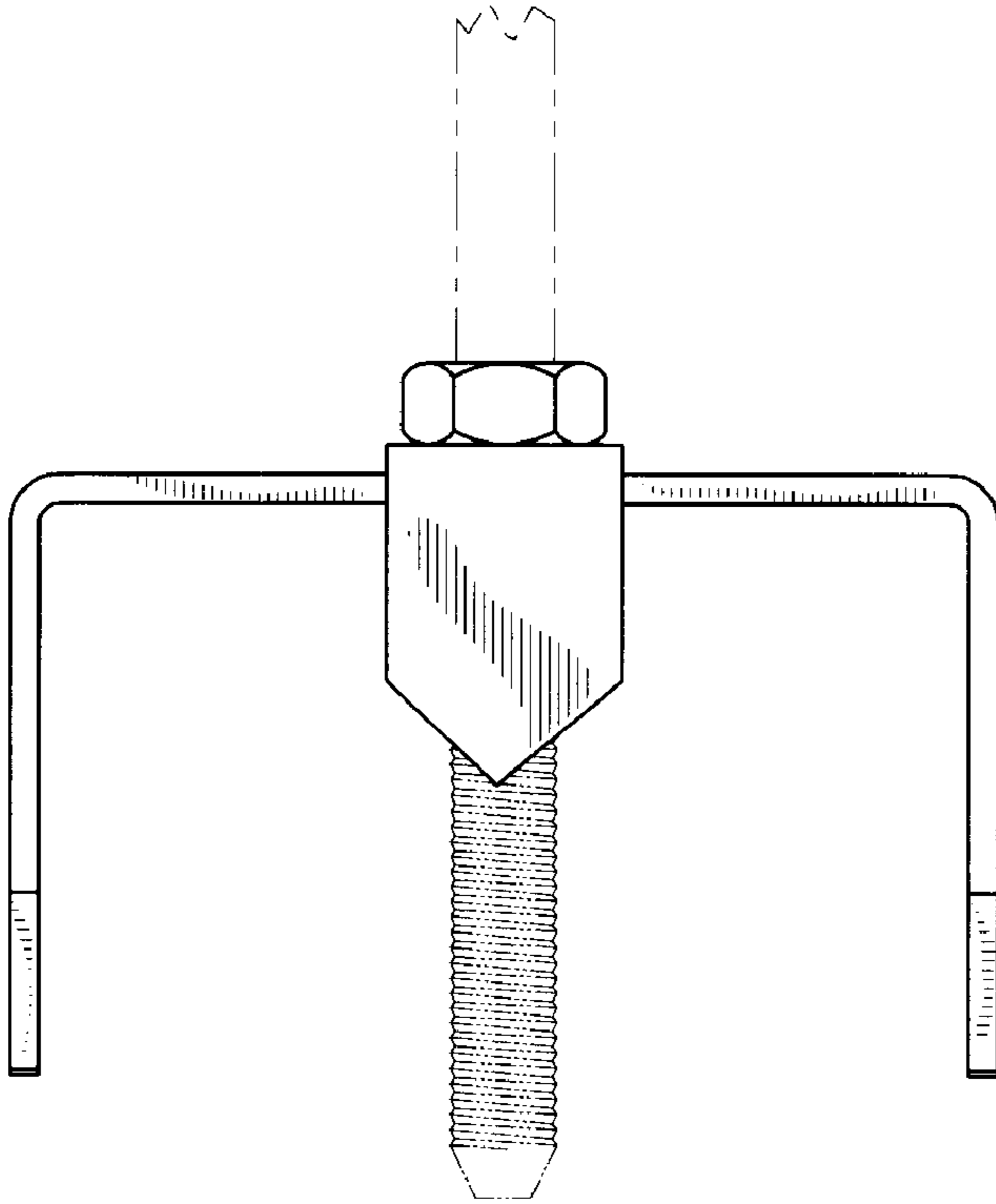


FIG. 4

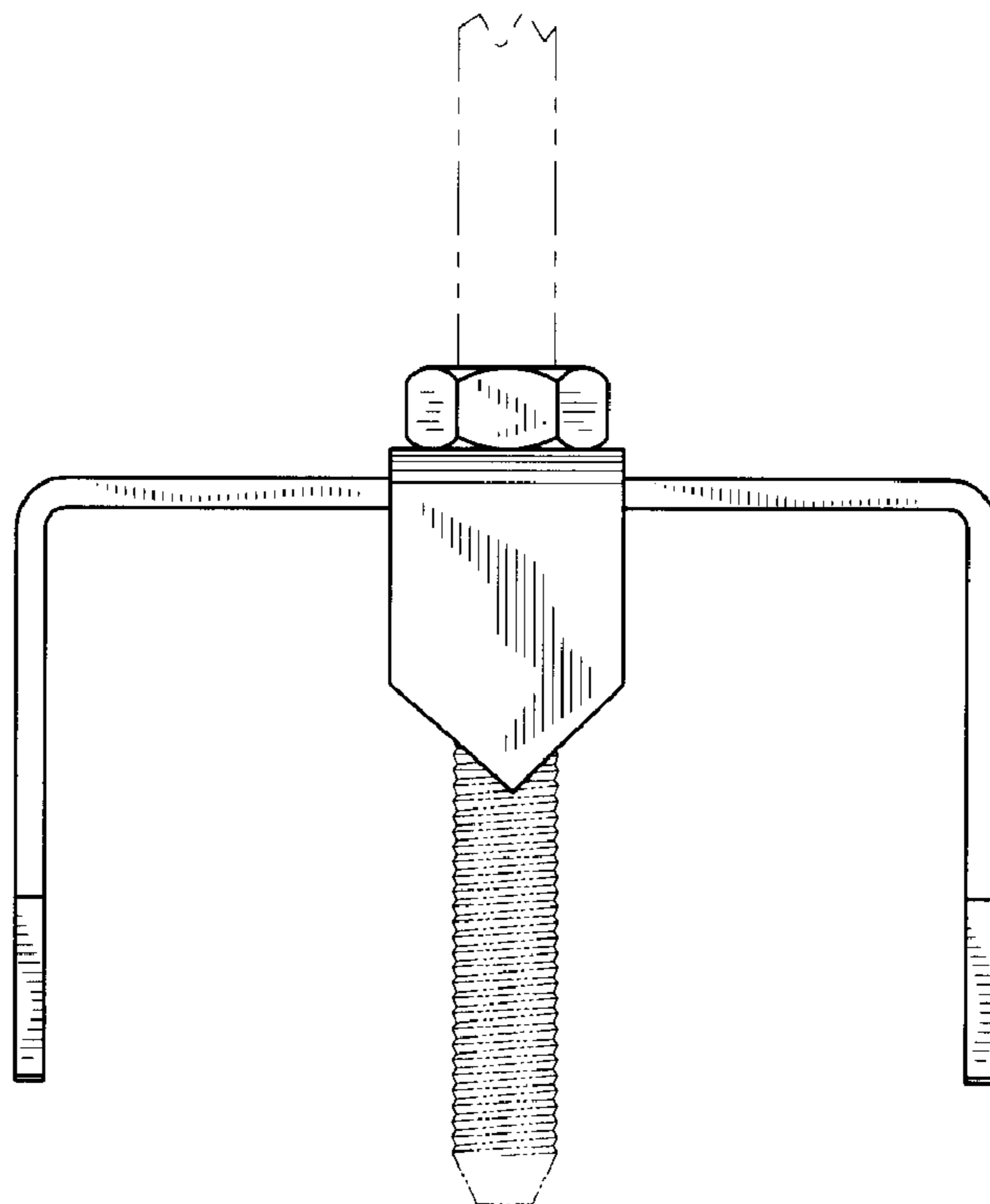


FIG. 5

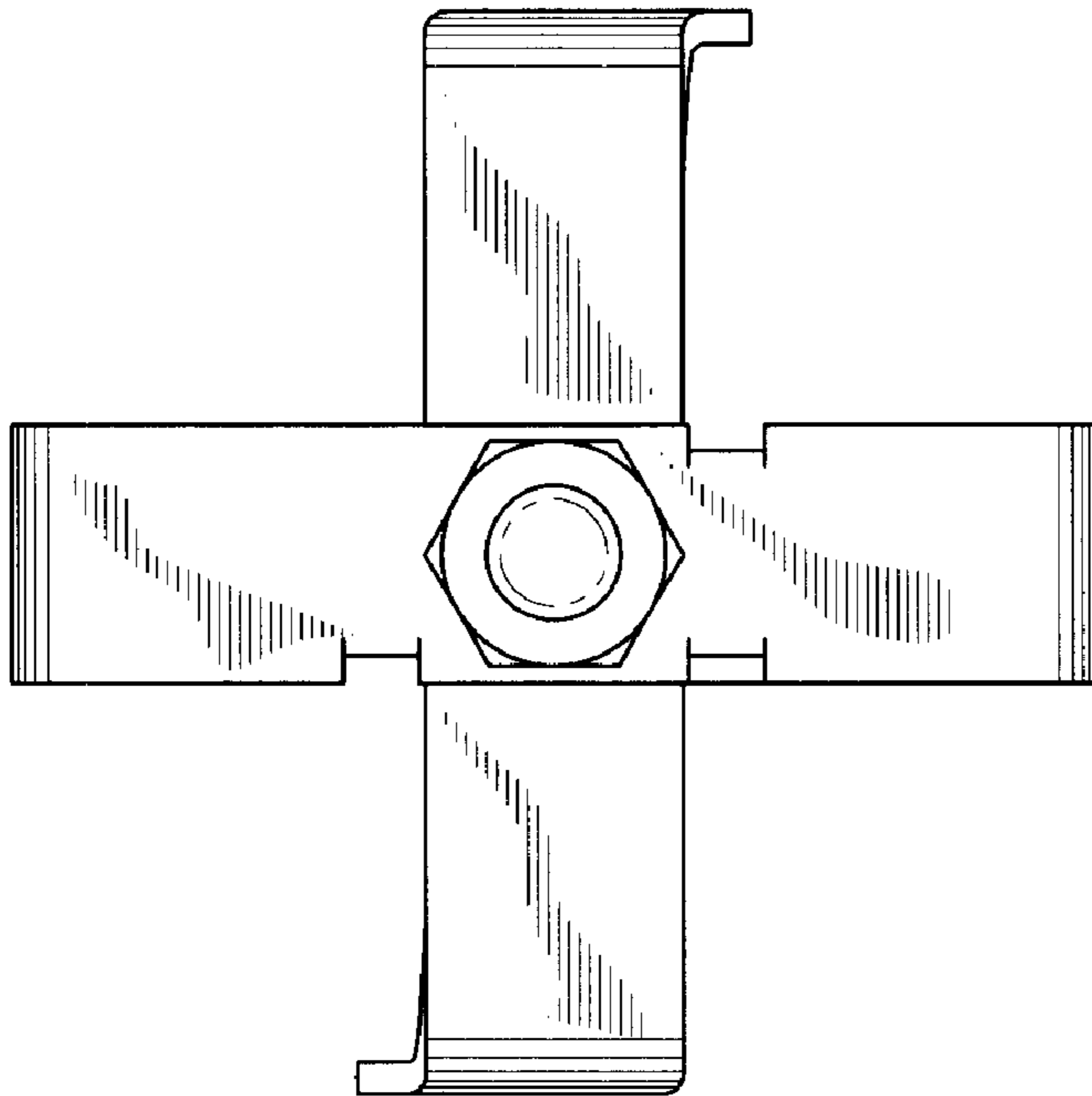
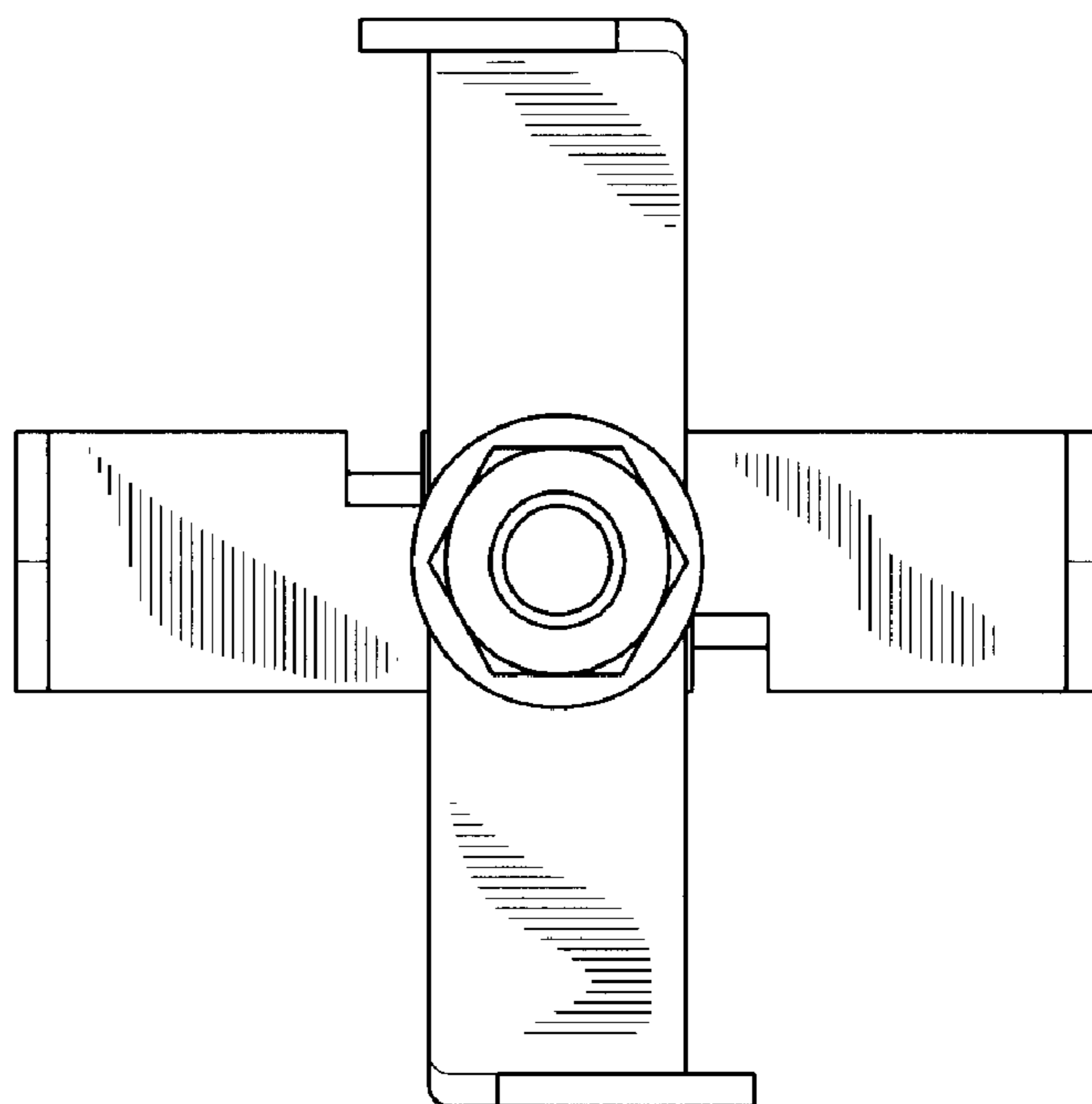


FIG. 6



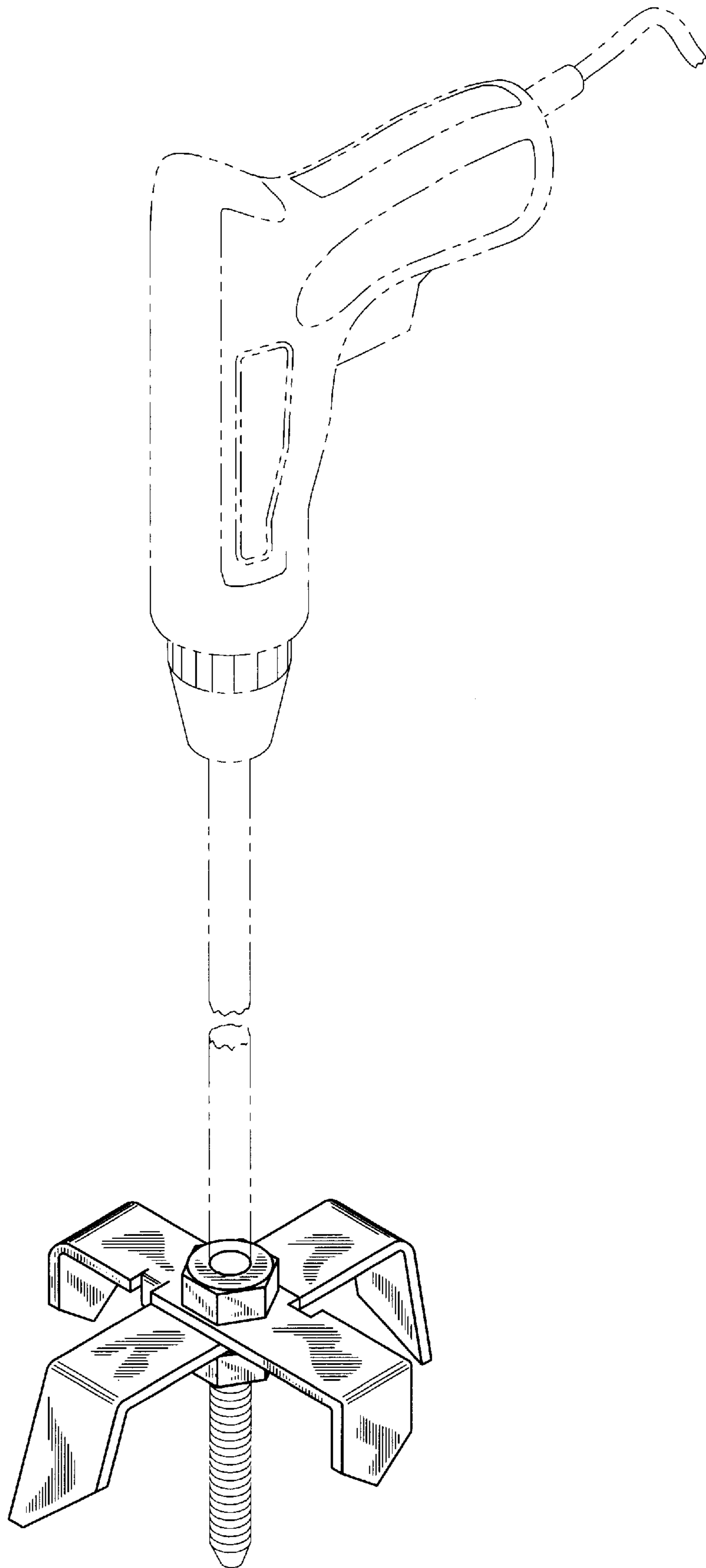


FIG. 7