



US00D537681S

(12) **United States Design Patent**
Allain et al.

(10) **Patent No.:** **US D537,681 S**

(45) **Date of Patent:** **** Mar. 6, 2007**

(54) **WINE BOTTLE HOLDER**

D404,616 S 1/1999 Wilson
D453,665 S 2/2002 Loiacono

(76) Inventors: **Roger Allain**, 168 Bellezza Ter., Royal Palm Beach, FL (US) 33411; **Linda R. Barbic**, 168 Bellezza Ter., Royal Palm Beach, FL (US) 33411

* cited by examiner

Primary Examiner—Terry A. Wallace
(74) *Attorney, Agent, or Firm*—Richard C. Litman

(**) Term: **14 Years**

(57) **CLAIM**

(21) Appl. No.: **29/259,480**

The ornamental design for a wine bottle holder, as shown and described.

(22) Filed: **May 10, 2006**

DESCRIPTION

(51) **LOC (8) Cl.** **07-06**

(52) **U.S. Cl.** **D7/619.1**

(58) **Field of Classification Search** D7/619.1–625;
D6/465, 466, 469; 211/13.1, 74, 75; 215/392–399;
248/105, 133, 146, 148, 152, 174, 176.1,
248/312, 309.1, 311.2

FIG. 1 is an environmental perspective view of a wine bottle holder showing our new design;
FIG. 2 is a front elevational view thereof;
FIG. 3 is a rear elevational view thereof;
FIG. 4 is a left side elevational view thereof;
FIG. 5 is a right side elevational view thereof;
FIG. 6 is a bottom view thereof; and,
FIG. 7 is a bottom view thereof.

See application file for complete search history.

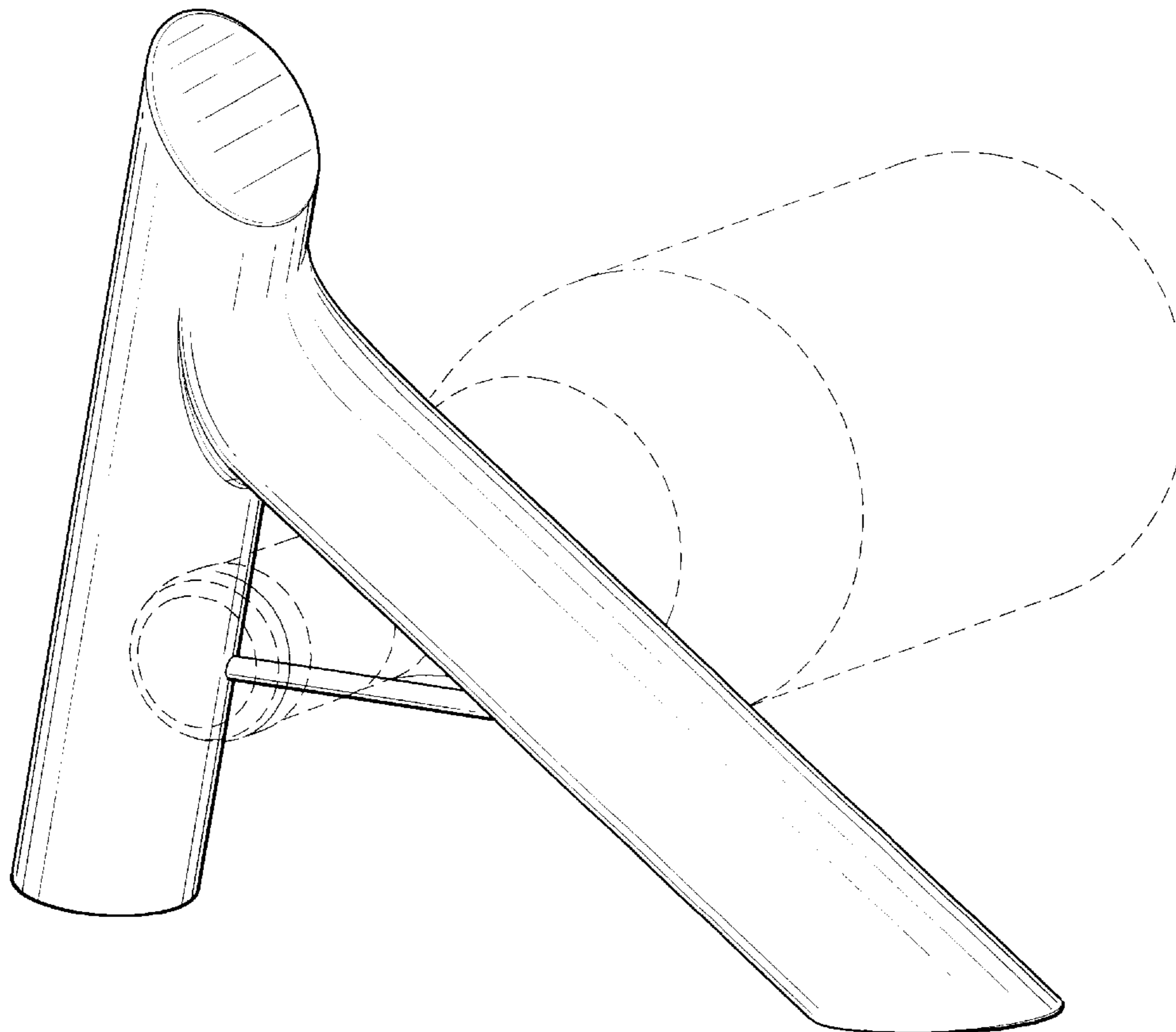
The broken line showing of the wine bottle in FIG. 1 is for illustrative purposes only and forms no part of the claimed design.

(56) **References Cited**

U.S. PATENT DOCUMENTS

4,496,124 A * 1/1985 Cole 248/146
D306,952 S * 4/1990 Goeman D7/619.1
D325,850 S * 5/1992 Chaney D7/619.1

1 Claim, 7 Drawing Sheets



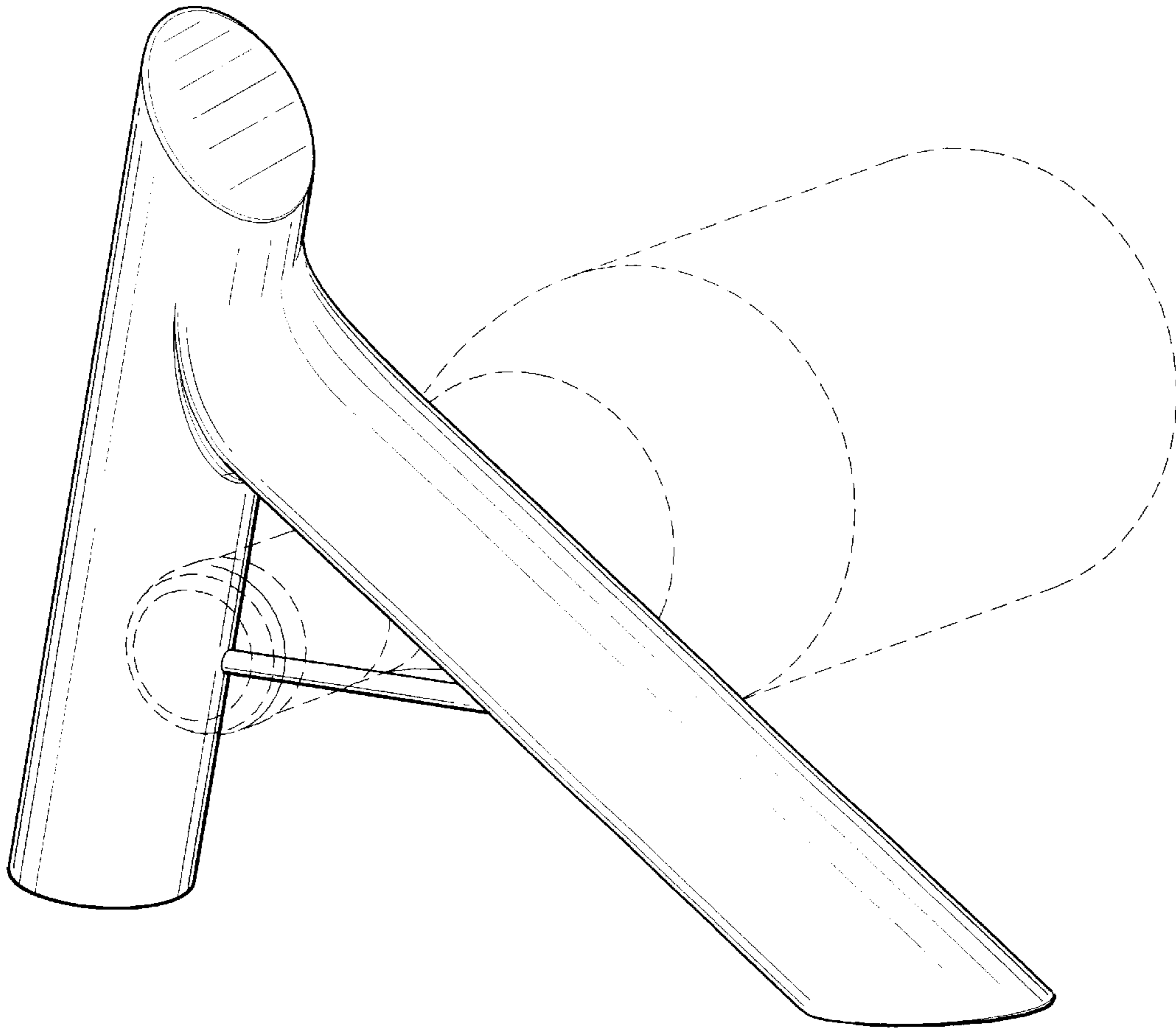


Fig. 1

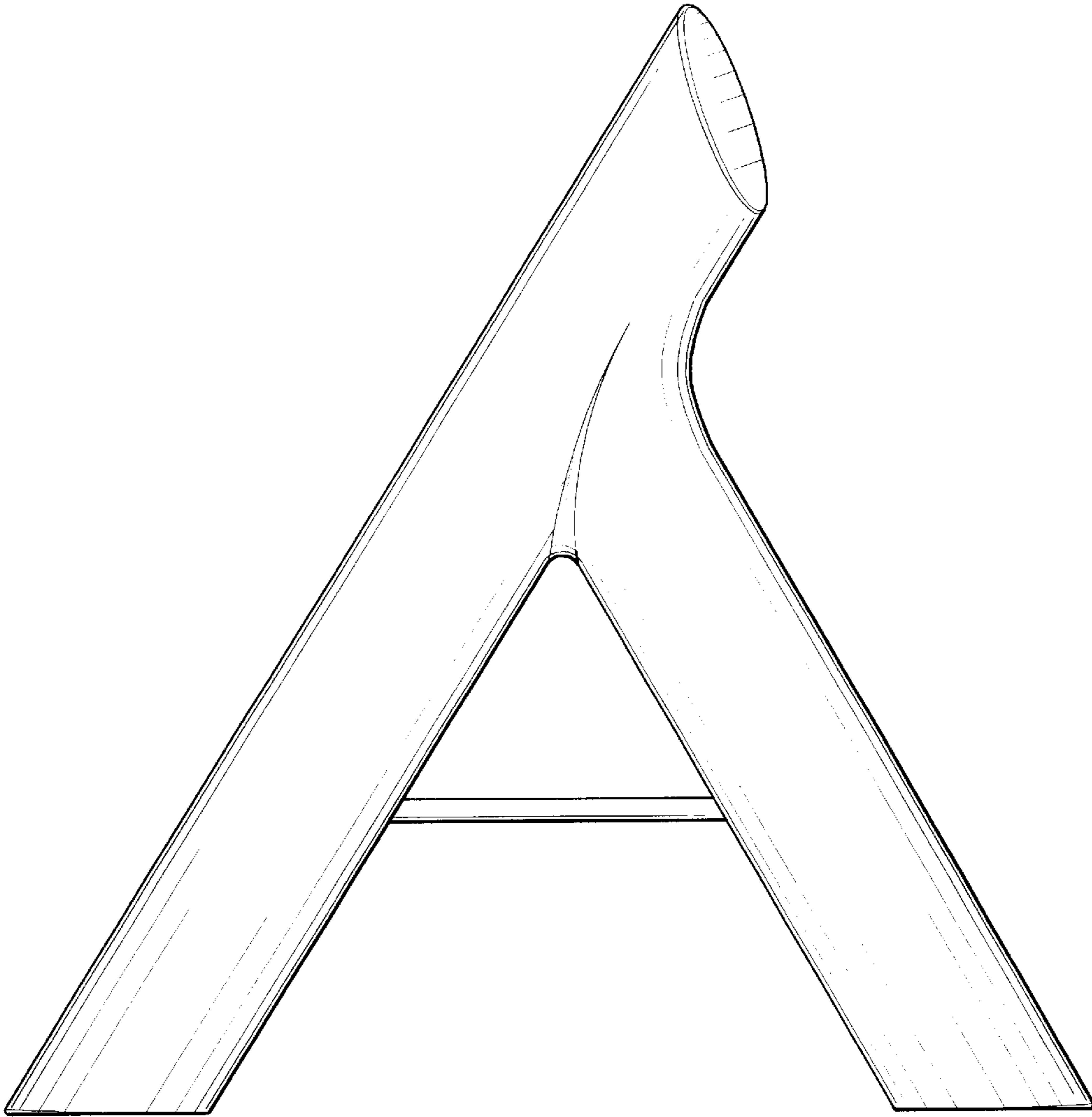


Fig. 2

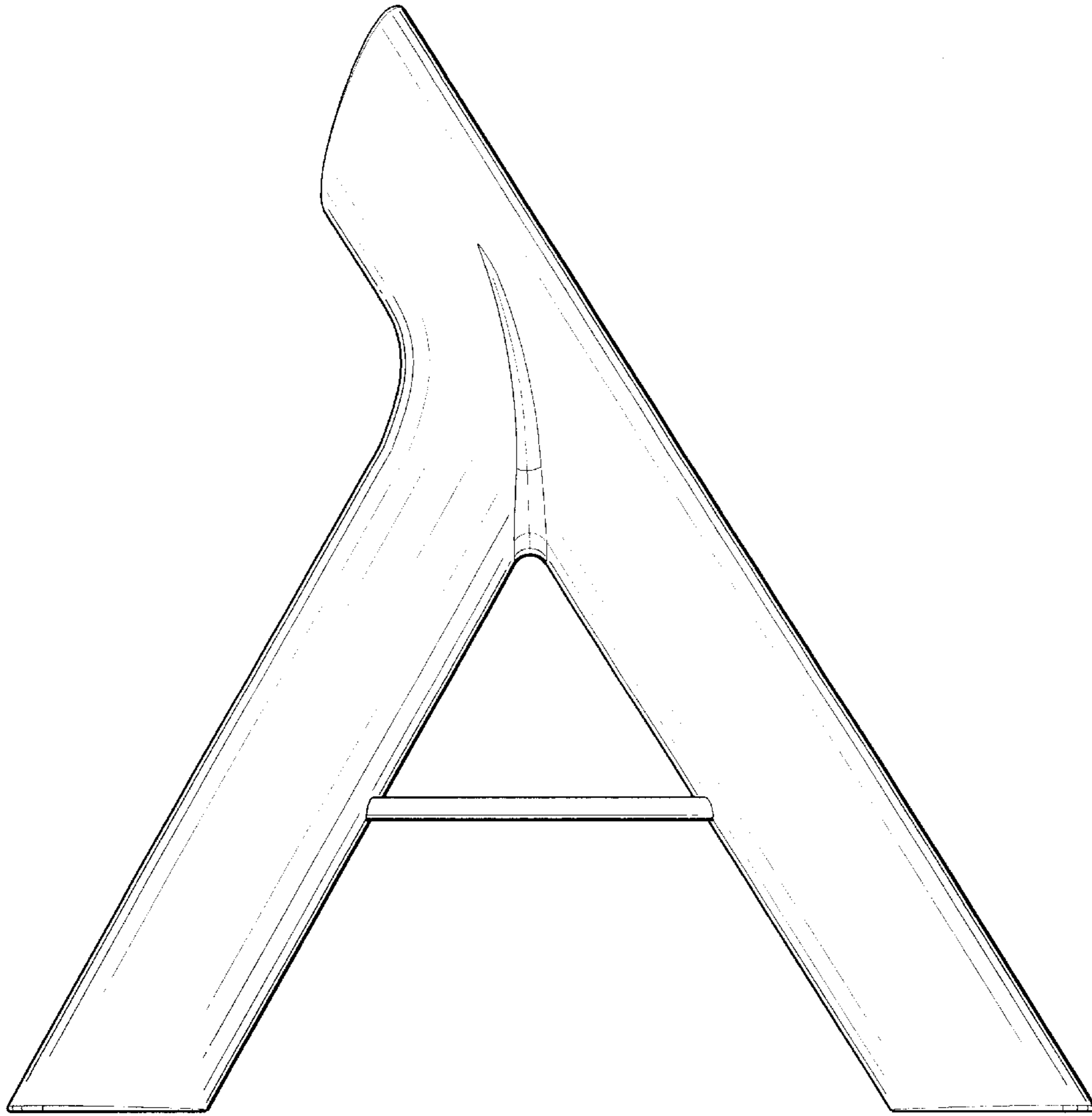


Fig. 3

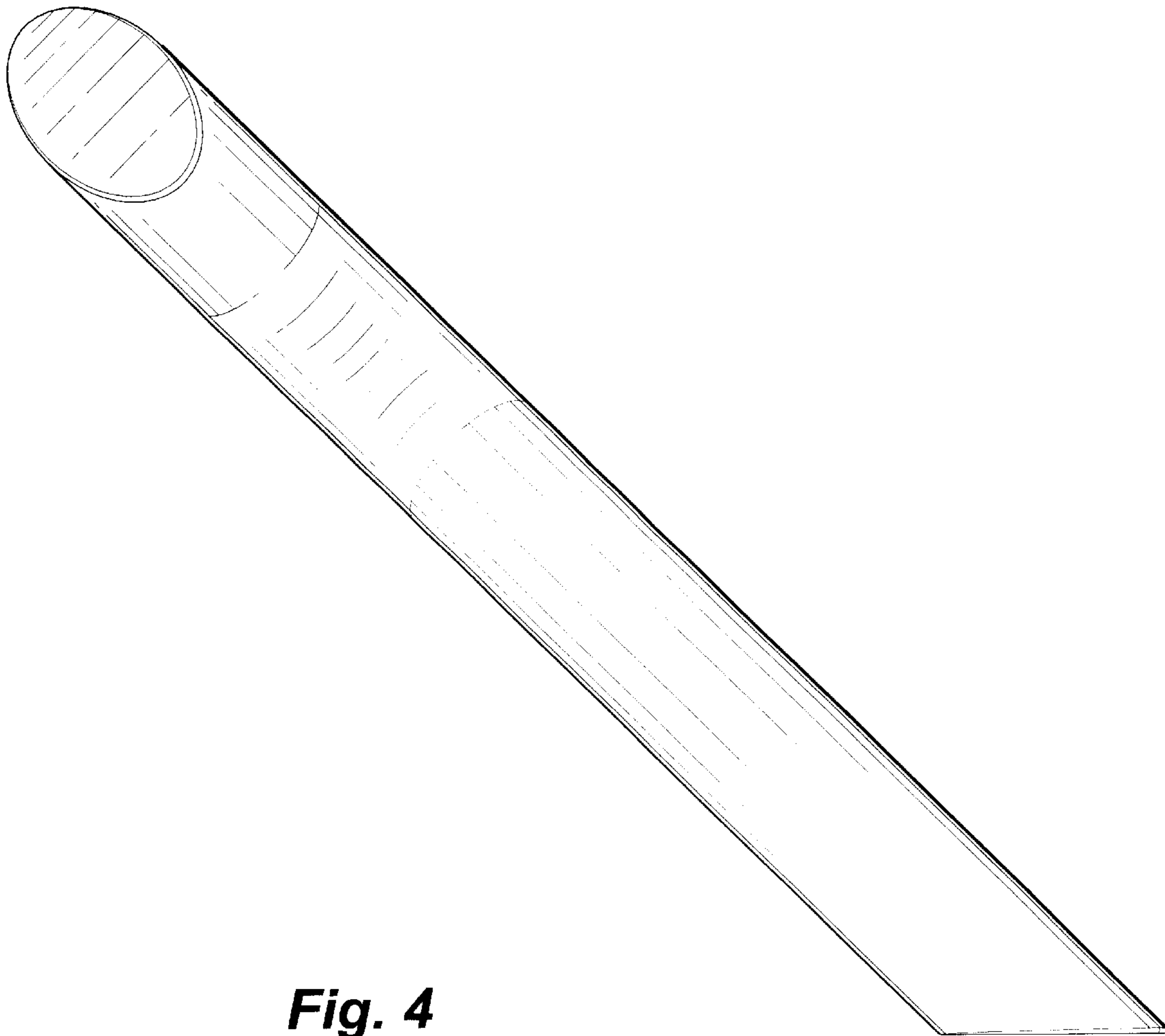


Fig. 4

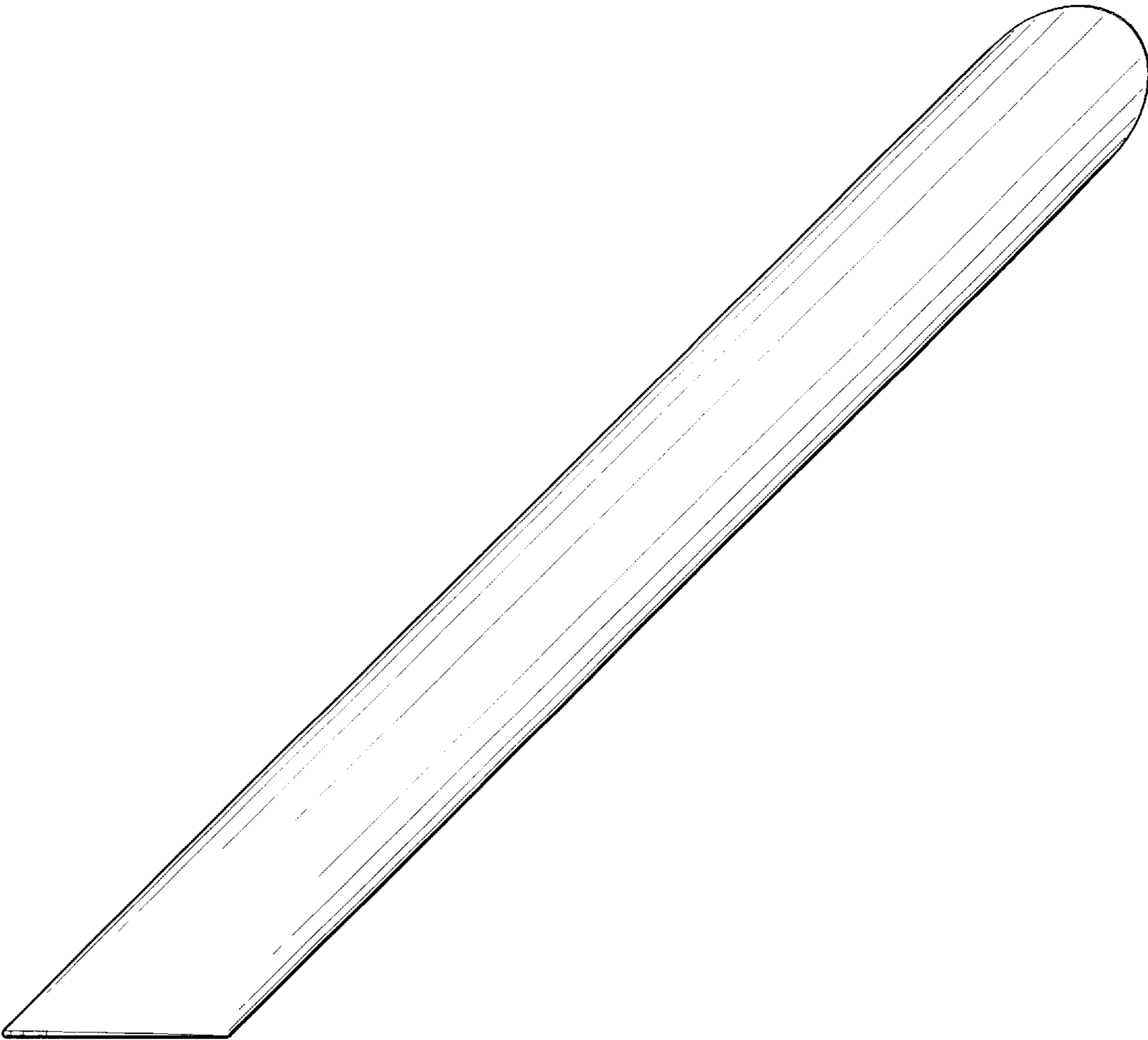


Fig. 5

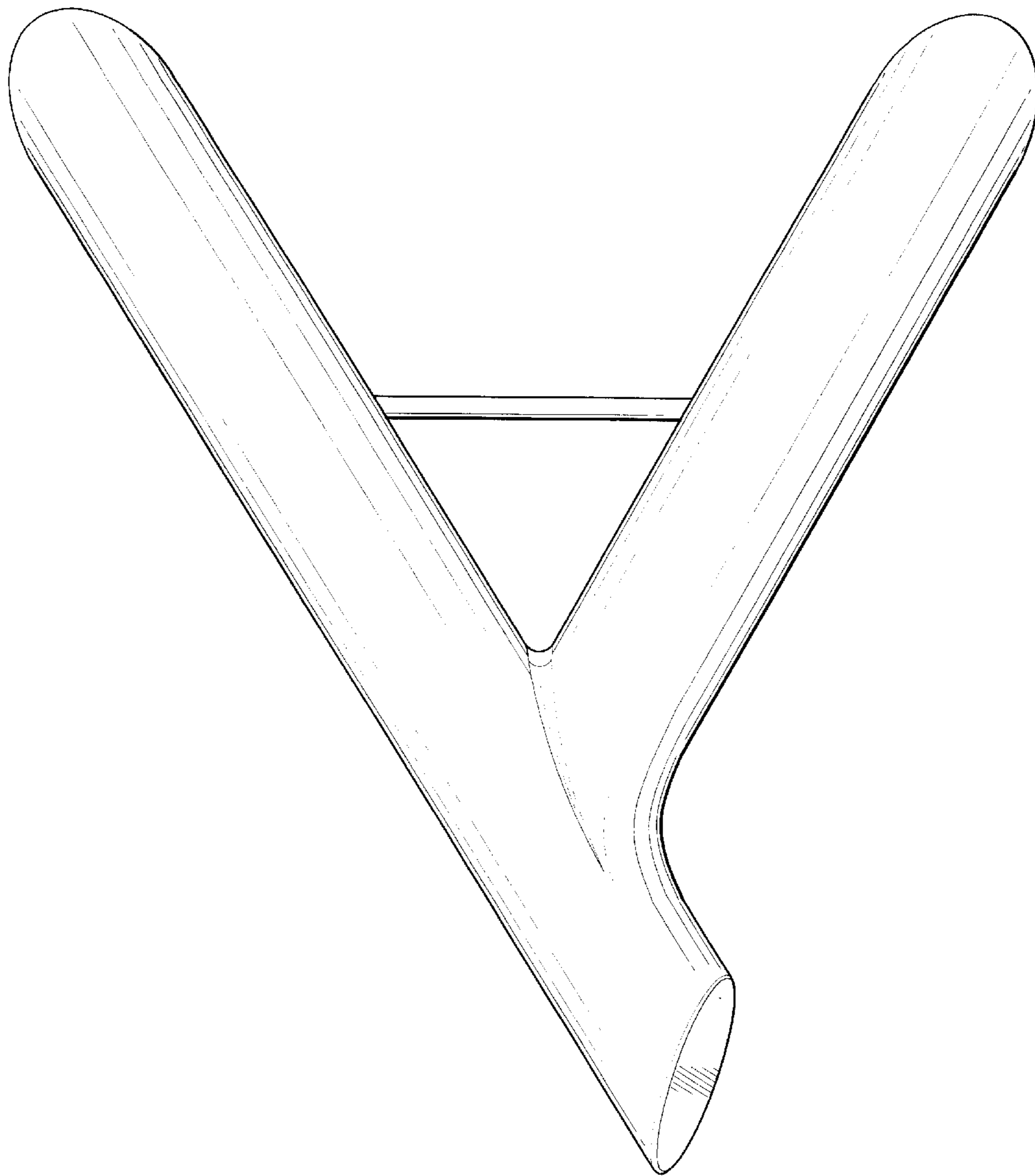


Fig. 6

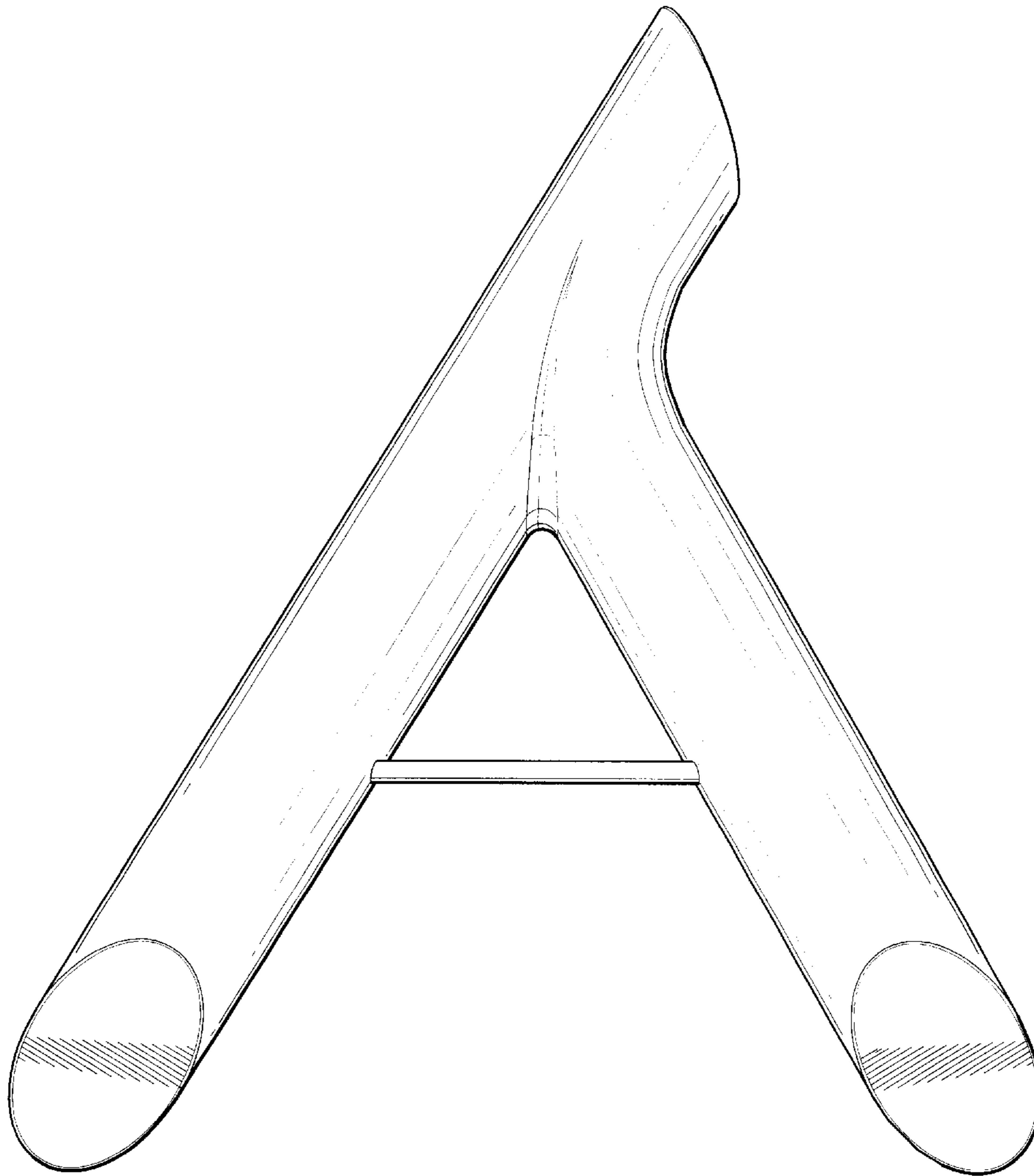


Fig. 7