

US00D537678S

(12) **United States Design Patent**  
**Glander et al.**

(10) **Patent No.:** **US D537,678 S**

(45) **Date of Patent:** **\*\* Mar. 6, 2007**

- (54) **DISPOSABLE SERVING TRAY**
- (75) Inventors: **Susan Ann Glander**, Birchwood, MN (US); **Timothy Andrew Bachman**, Saint Paul, MN (US)
- (73) Assignee: **Tyco Plastics Services AG**, Schaffhausen (CH)
- (\*\*) Term: **14 Years**
- (21) Appl. No.: **29/178,155**
- (22) Filed: **Jul. 29, 2003**
- (51) **LOC (8) Cl.** ..... **07-01**
- (52) **U.S. Cl.** ..... **D7/554.3**
- (58) **Field of Classification Search** ..... D7/360, D7/394, 587, 586, 565, 571, 560, 545, 555.1, D7/554.1-554.4, 548; 220/223.83, 574; 211/74; 493/167; D9/431, 655-657; 229/106  
See application file for complete search history.

- D55,770 S \* 7/1920 Gaertner ..... D7/586
- D81,514 S \* 7/1930 Weiss ..... D7/584
- D225,431 S \* 12/1972 Gulotta ..... D7/586
- D289,843 S \* 5/1987 Ritman ..... D7/584
- D293,995 S \* 2/1988 Shin ..... D7/585
- D472,770 S \* 4/2003 Wellner et al. .... D7/584
- D478,252 S \* 8/2003 Wellner ..... D7/584
- D478,477 S \* 8/2003 Tisdale et al. .... D7/586

\* cited by examiner

*Primary Examiner*—Charles A. Rademaker

(57) **CLAIM**

The ornamental design for a disposable serving tray, as shown and described.

**DESCRIPTION**

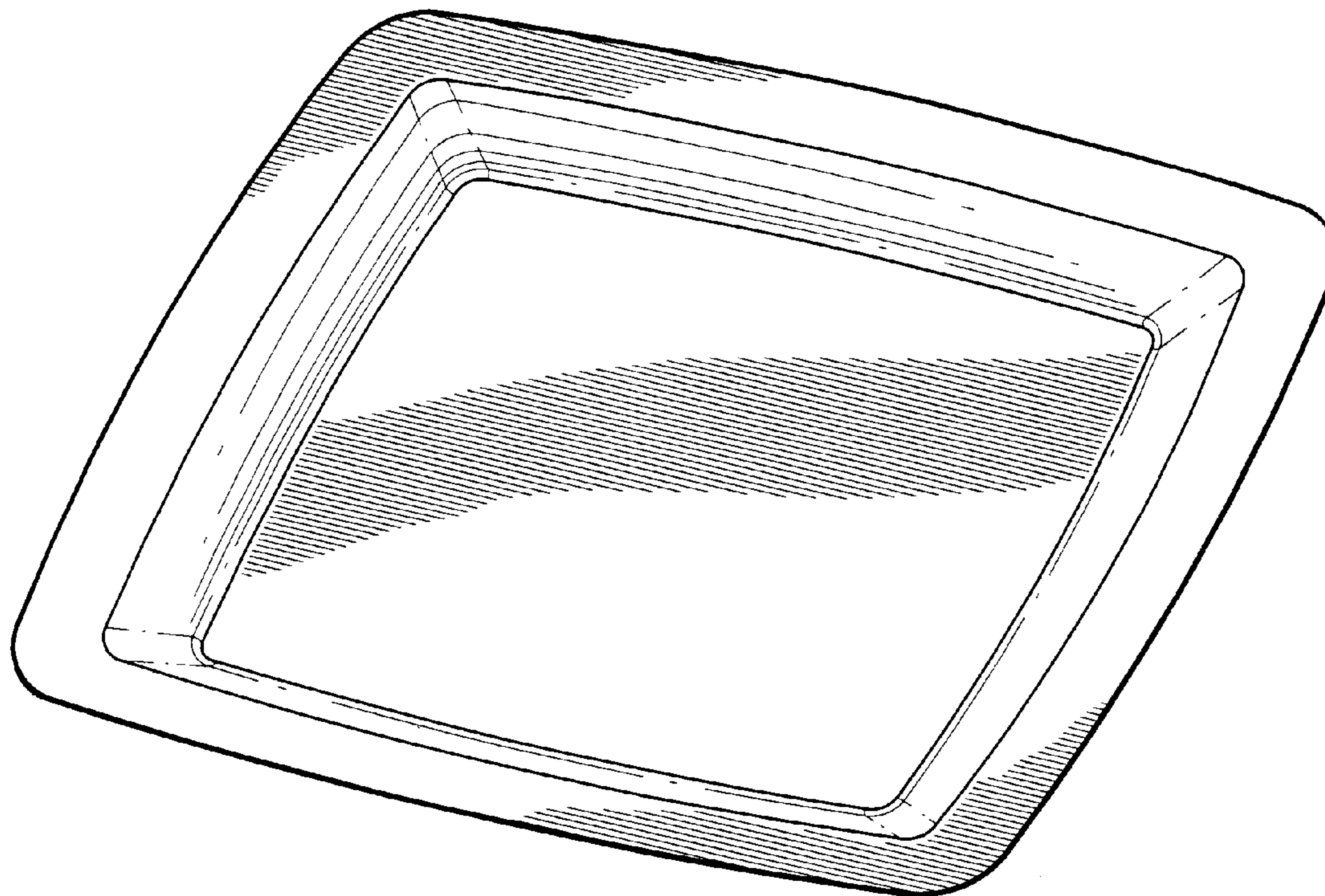
FIG. 1 is a perspective view of a disposable serving tray showing our new design;  
FIG. 2 is a top plan view thereof;  
FIG. 3 is a bottom plan view thereof; and,  
FIG. 4 is a side elevation thereof, the other sides being substantially identical.

(56) **References Cited**

**U.S. PATENT DOCUMENTS**

- D22,780 S \* 9/1893 Hache ..... D7/584

**1 Claim, 2 Drawing Sheets**



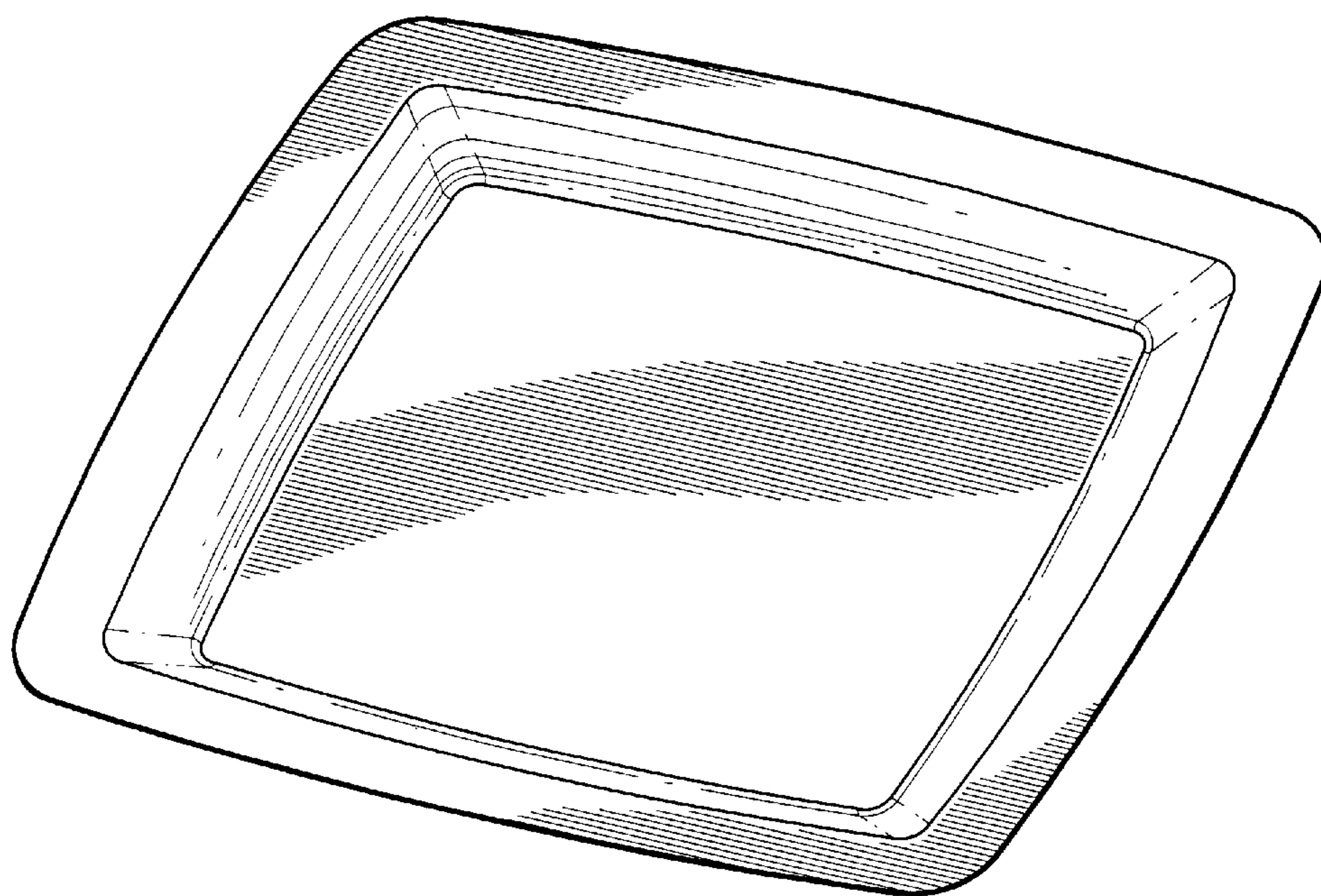


FIG. 1

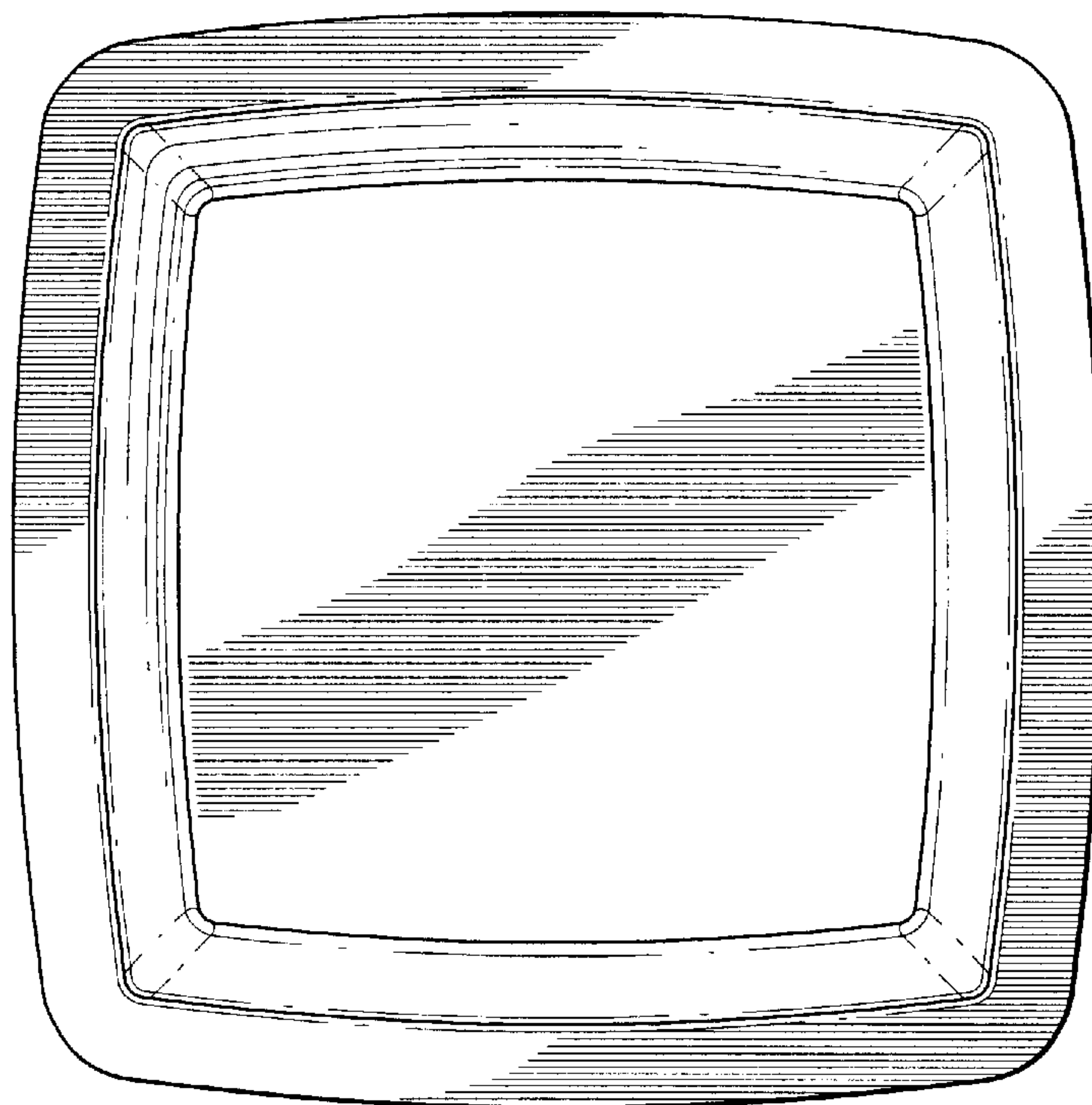


FIG. 2

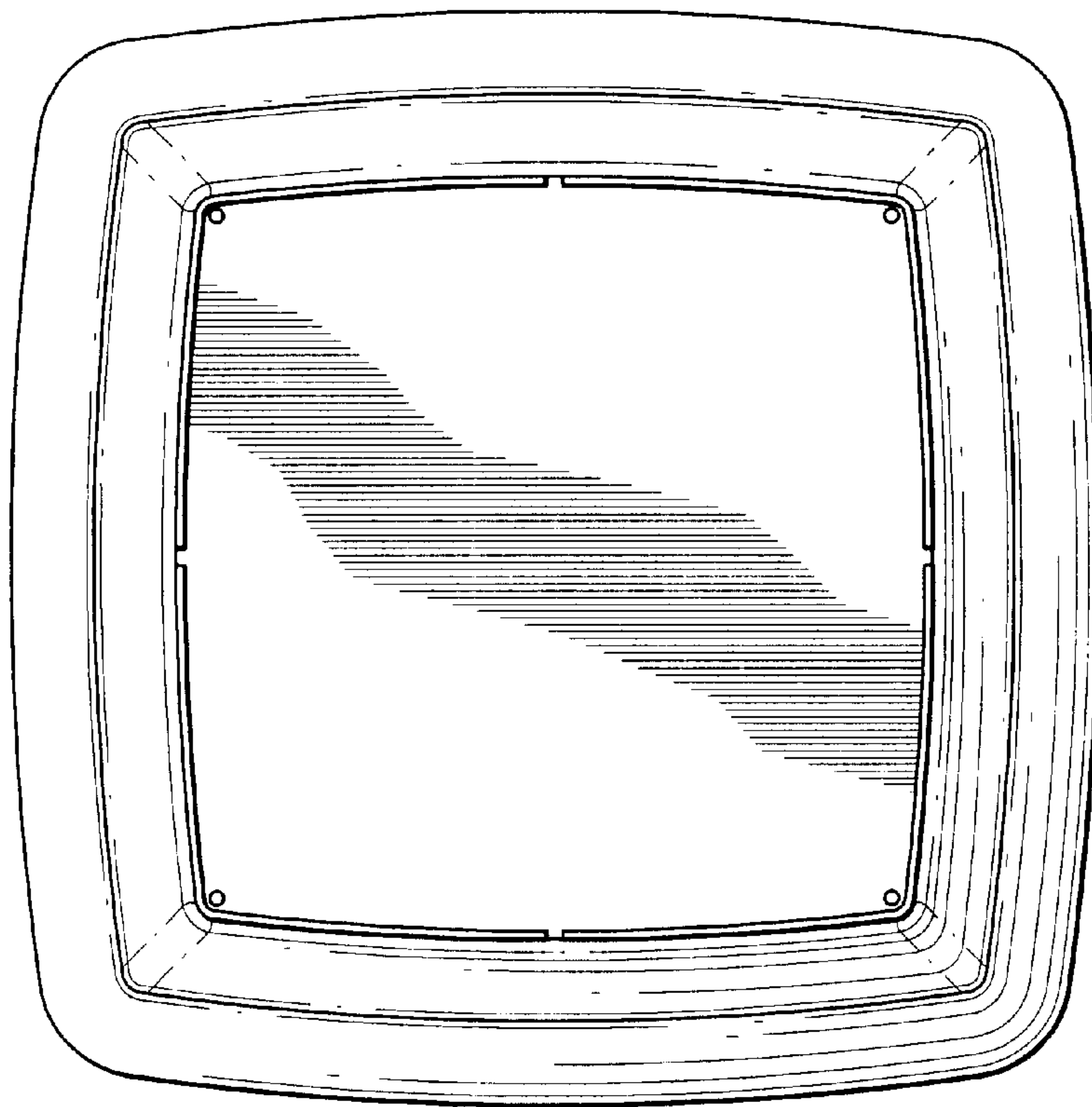


FIG. 3

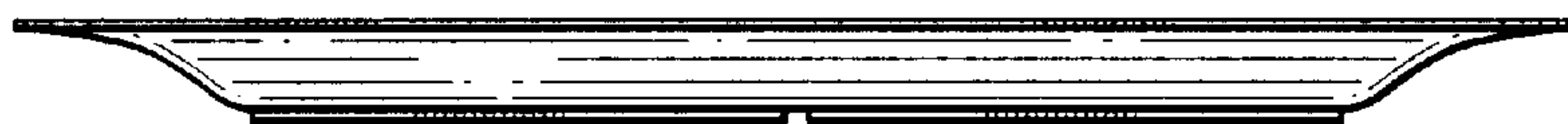


FIG. 4