



US00D537673S

(12) **United States Design Patent**
Anderson et al.

(10) **Patent No.:** **US D537,673 S**

(45) **Date of Patent:** **** Mar. 6, 2007**

(54) **COMBINATION INTERLOCK AND STOPPER DEVICE FOR FOOD WASTE DISPOSER**

3,194,503 A * 7/1965 Peyer et al. 241/46.016
D455,604 S * 4/2002 Brandel et al. D7/375

(75) Inventors: **Scott W Anderson**, Racine, WI (US);
Steven P Hanson, Racine, WI (US);
Randall E Hammer, Muskego, WI (US)

* cited by examiner

Primary Examiner—Catherine R. Oliver

(74) *Attorney, Agent, or Firm*—Locke Liddell & Sapp LLP

(73) Assignee: **Emerson Electric Co.**, St. Louis, MO (US)

(57) **CLAIM**

The ornamental design for a combination interlock and stopper device for a food waste disposer, as shown and described.

(**) Term: **14 Years**

(21) Appl. No.: **29/251,519**

(22) Filed: **Jan. 9, 2006**

(51) **LOC (8) Cl.** **31-00**

(52) **U.S. Cl.** **D7/375**

(58) **Field of Classification Search** D7/375,
D7/372; 4/DIG. 4, 629, 292, 652; D15/21;
241/46.016, 81, 46.013, 46.014, 46.015,
241/46.018

See application file for complete search history.

DESCRIPTION

FIG. 1 is a top perspective view of the combination interlock and stopper device for food waste disposer showing our new design;

FIG. 2 is a bottom perspective view.

FIG. 3 is a top view.

FIG. 4 is a bottom view.

FIG. 5 is a front view (the rear view is identical); and,

FIG. 6 is a side view (the opposite side is identical).

(56) **References Cited**

U.S. PATENT DOCUMENTS

2,469,205 A * 5/1949 Powers 241/46.016

1 Claim, 3 Drawing Sheets

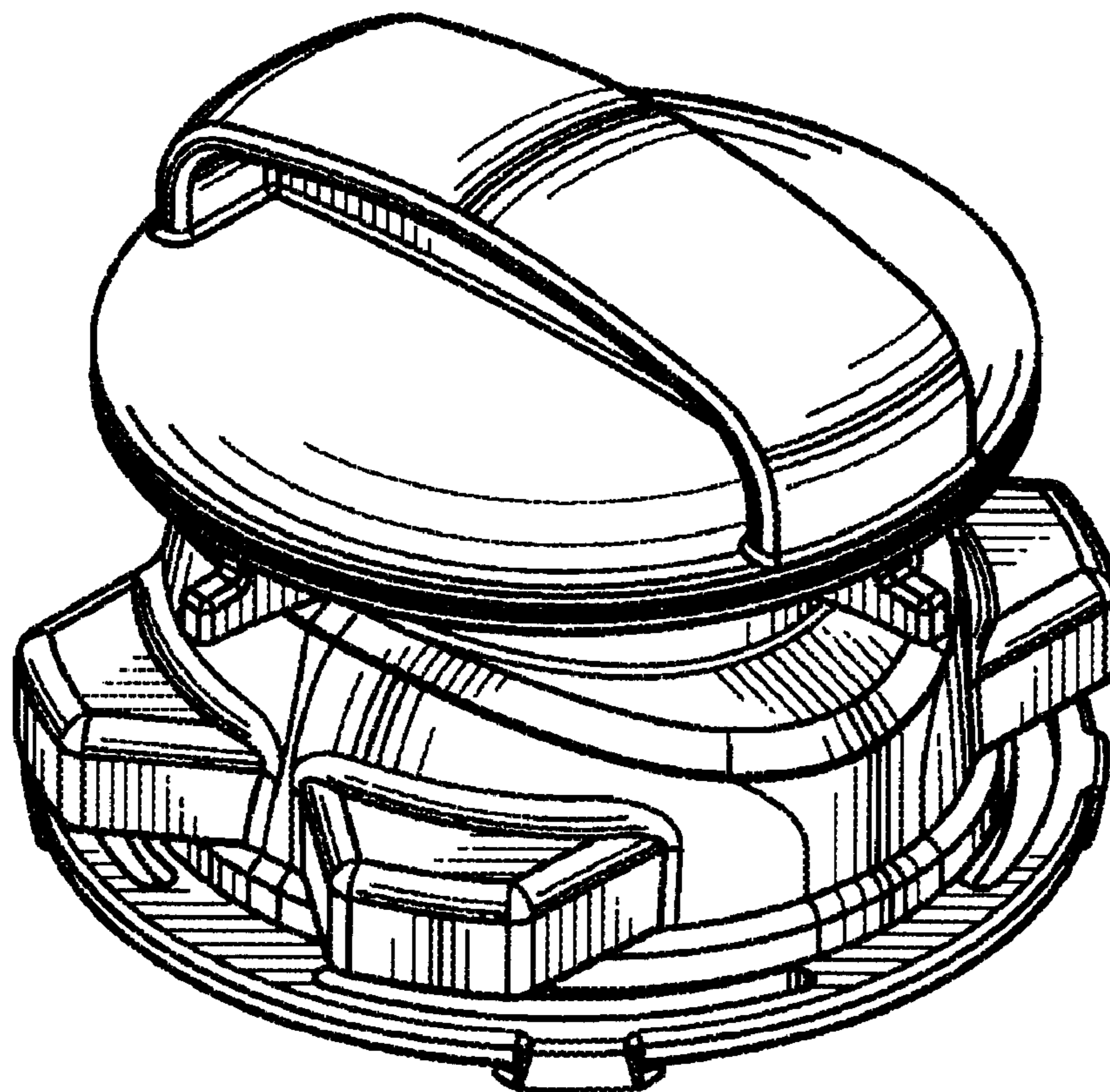


FIG. 1

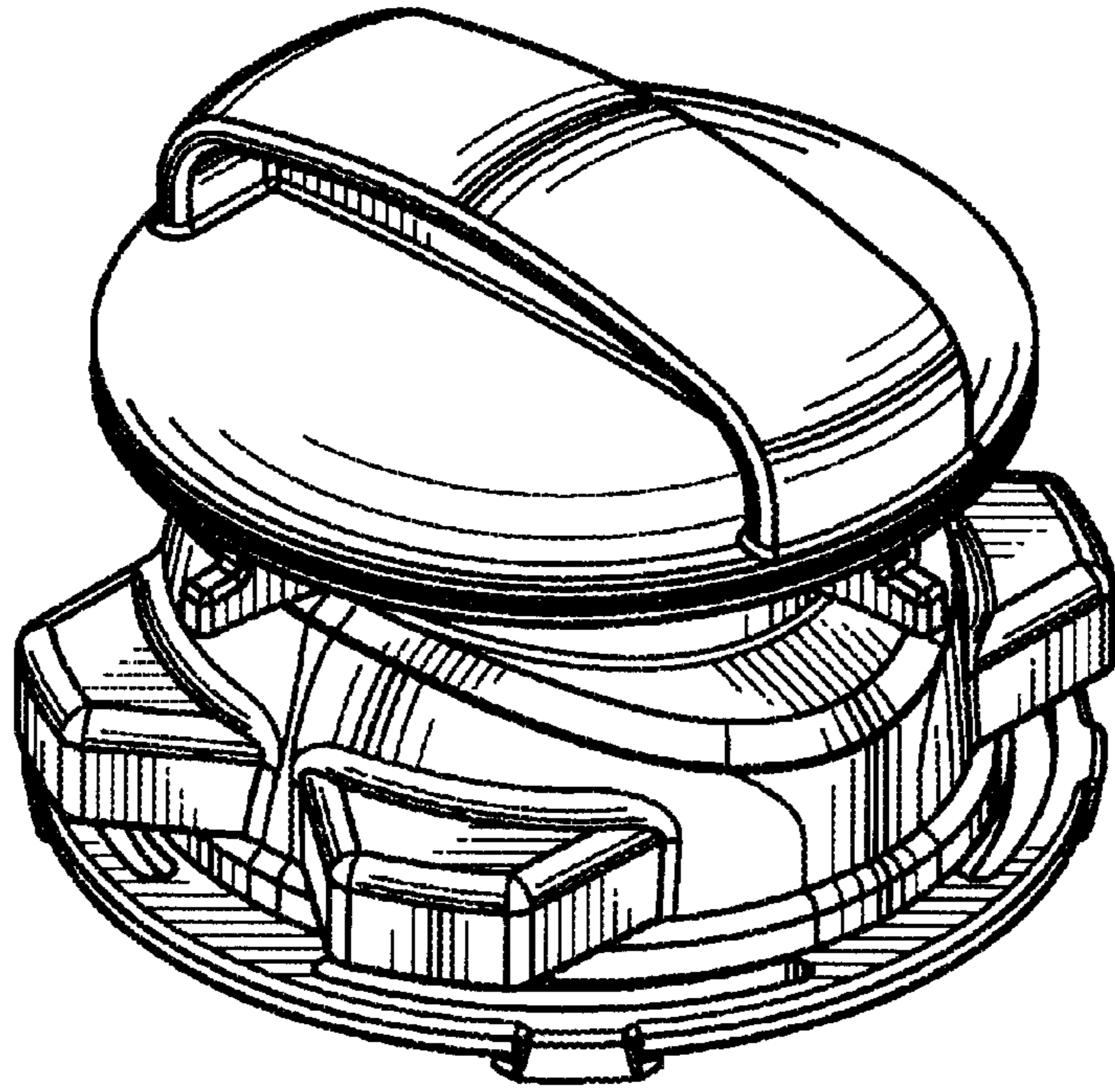


FIG. 2

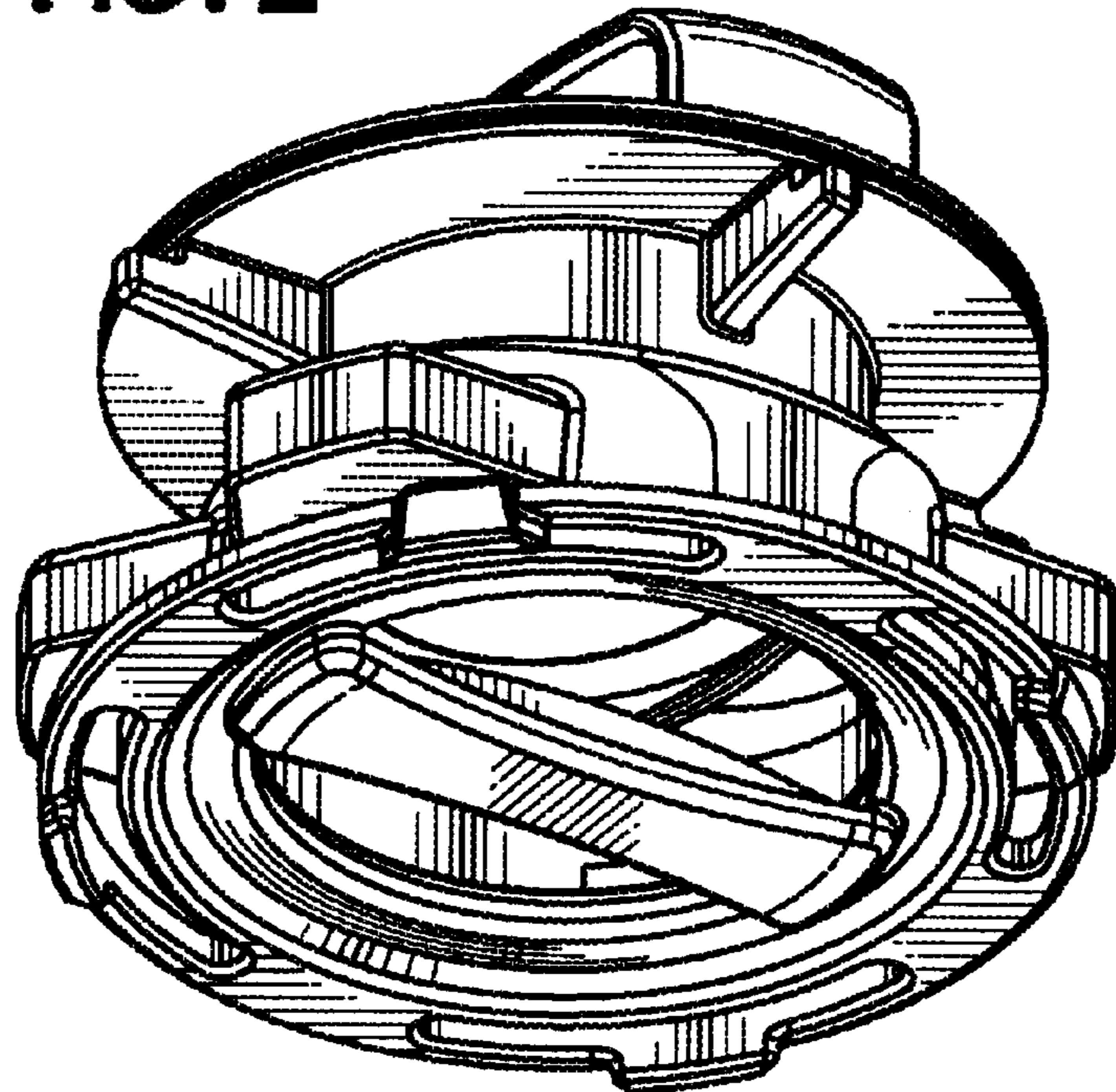


FIG. 3

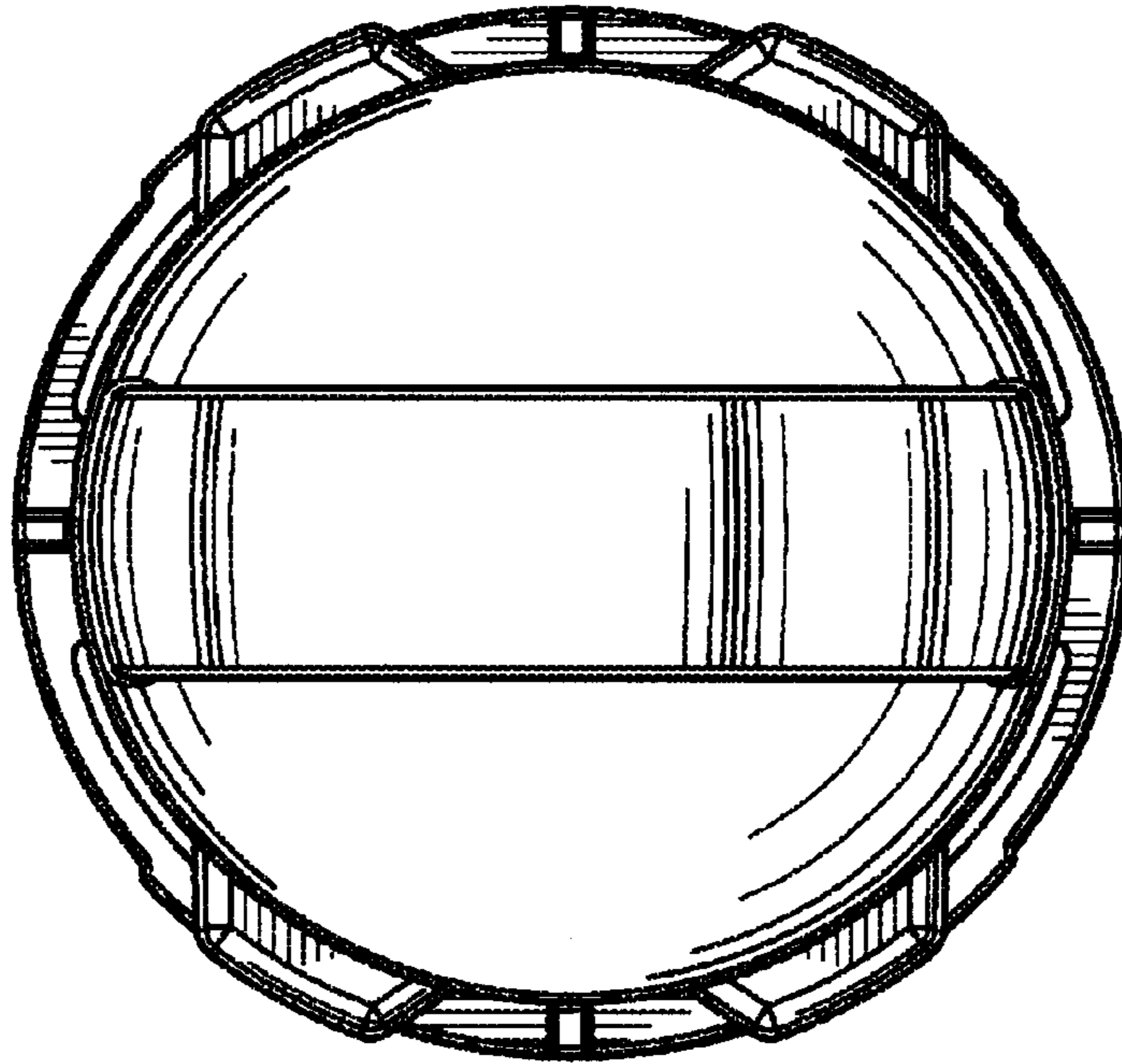


FIG. 4

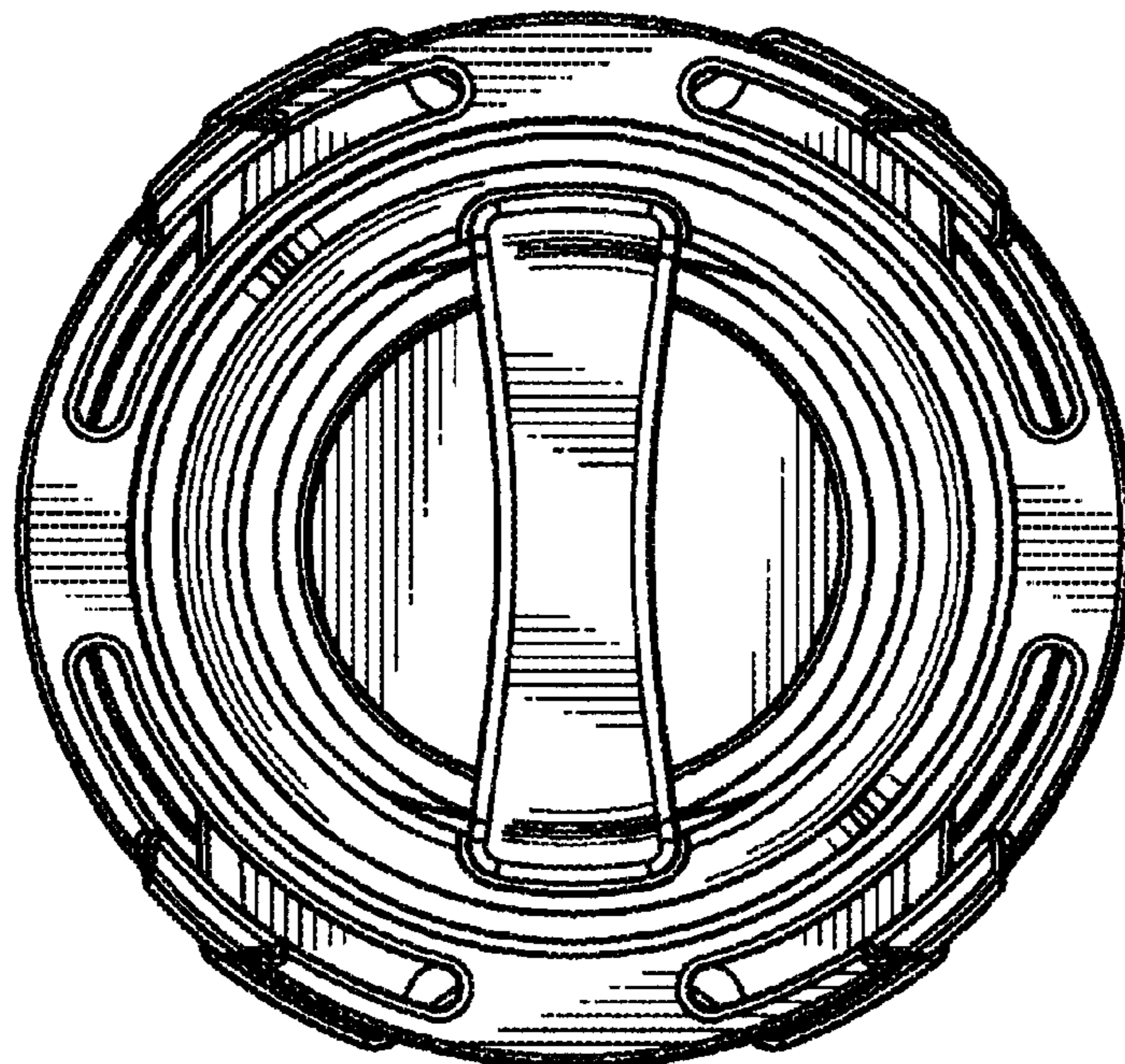


FIG. 5

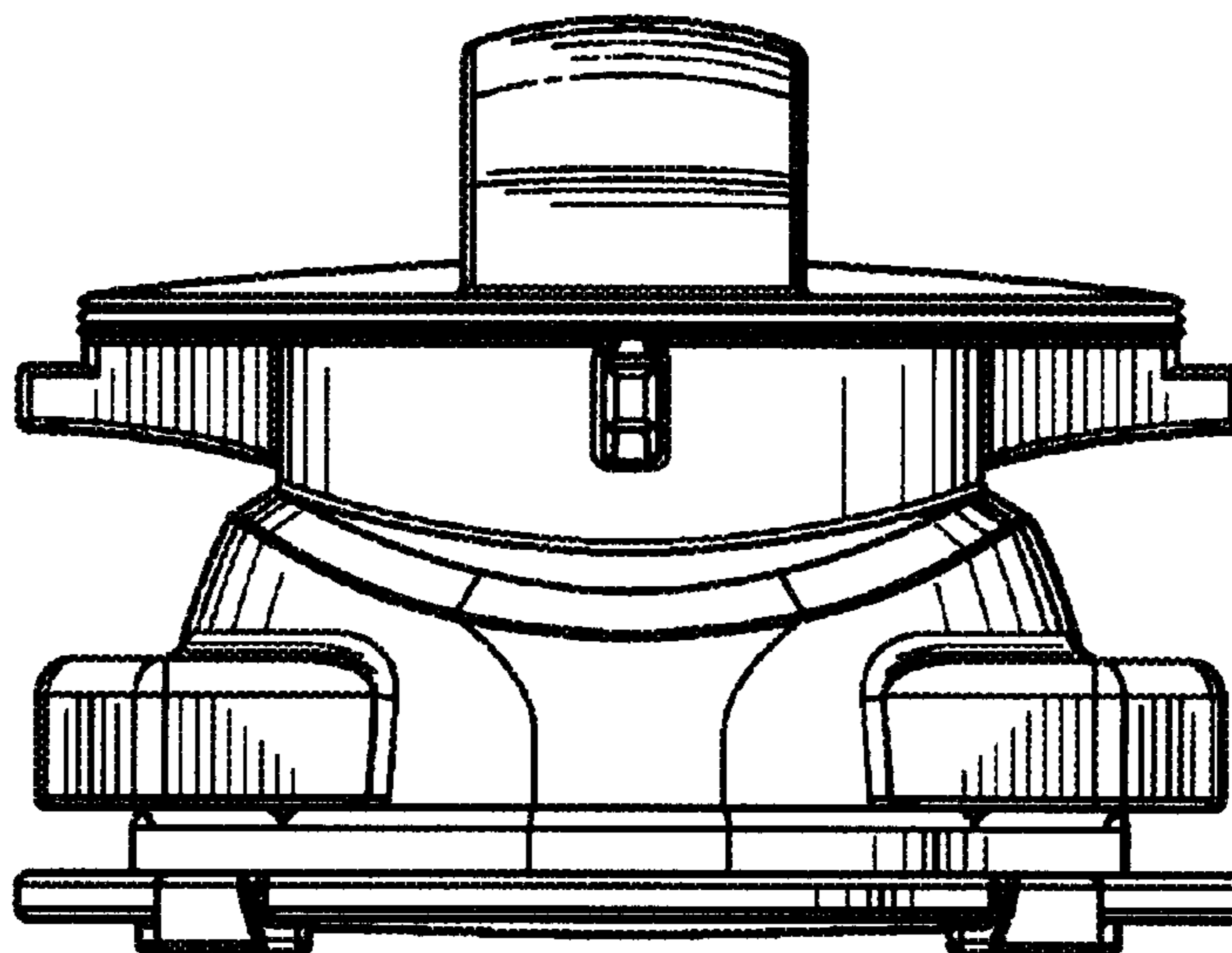


FIG. 6

