



US00D537672S

(12) **United States Design Patent**  
**Hoenstein**

(10) **Patent No.:** **US D537,672 S**

(45) **Date of Patent:** **\*\* Mar. 6, 2007**

(54) **POT FOR COOKING**

(75) Inventor: **Mathaeus Thun Hoenstein**, Milan (IT)

(73) Assignee: **T.V.S. S.p.A.**, Urbino (IT)

(\*\*) Term: **14 Years**

(21) Appl. No.: **29/206,965**

(22) Filed: **Jun. 7, 2004**

(30) **Foreign Application Priority Data**

Jan. 27, 2004 (IT) ..... MI2004O0019

(51) **LOC (8) Cl.** ..... **07-02**

(52) **U.S. Cl.** ..... **D7/361**

(58) **Field of Classification Search** ..... D7/323,  
D7/354-361, 391, 393-396, 500; 99/140 R,  
99/324, 339, 345, 422, 424, 426, 445; 219/620-622,  
219/725-730; 220/573.1-574, 912; 222/146,  
222/572

See application file for complete search history.

(56) **References Cited**

**U.S. PATENT DOCUMENTS**

1,933,890 A \* 11/1933 Carlson ..... 220/751  
2,011,752 A \* 8/1935 Christman ..... 220/769  
D230,690 S \* 3/1974 Aries ..... D7/361  
D237,133 S \* 10/1975 Cyren ..... D7/361  
3,922,458 A \* 11/1975 Lynch ..... 428/210  
D269,399 S \* 6/1983 Lam ..... D7/361  
D306,679 S \* 3/1990 Schultz ..... D7/361

D328,996 S \* 9/1992 Gerlach ..... D7/361  
D328,997 S \* 9/1992 Gerlach ..... D7/361  
D342,863 S \* 1/1994 Patrick ..... D7/361  
D370,826 S \* 6/1996 Thurlow ..... D7/360  
D371,933 S \* 7/1996 Ito ..... D7/361  
D373,929 S \* 9/1996 Gambini ..... D7/395  
D375,433 S \* 11/1996 Jorgensen ..... D7/354  
5,653,881 A \* 8/1997 Bruss et al. .... 210/467  
D482,562 S \* 11/2003 Demers ..... D7/354  
D499,929 S \* 12/2004 Cuillery ..... D7/361

**FOREIGN PATENT DOCUMENTS**

FR DM/064175 \* 7/2003  
GB 3017523 \* 6/2004

\* cited by examiner

*Primary Examiner*—Cathron C. Brooks

*Assistant Examiner*—Ricky Pham

(74) *Attorney, Agent, or Firm*—Bucknam and Archer

(57) **CLAIM**

The ornamental design for a pot for cooking, as shown and described.

**DESCRIPTION**

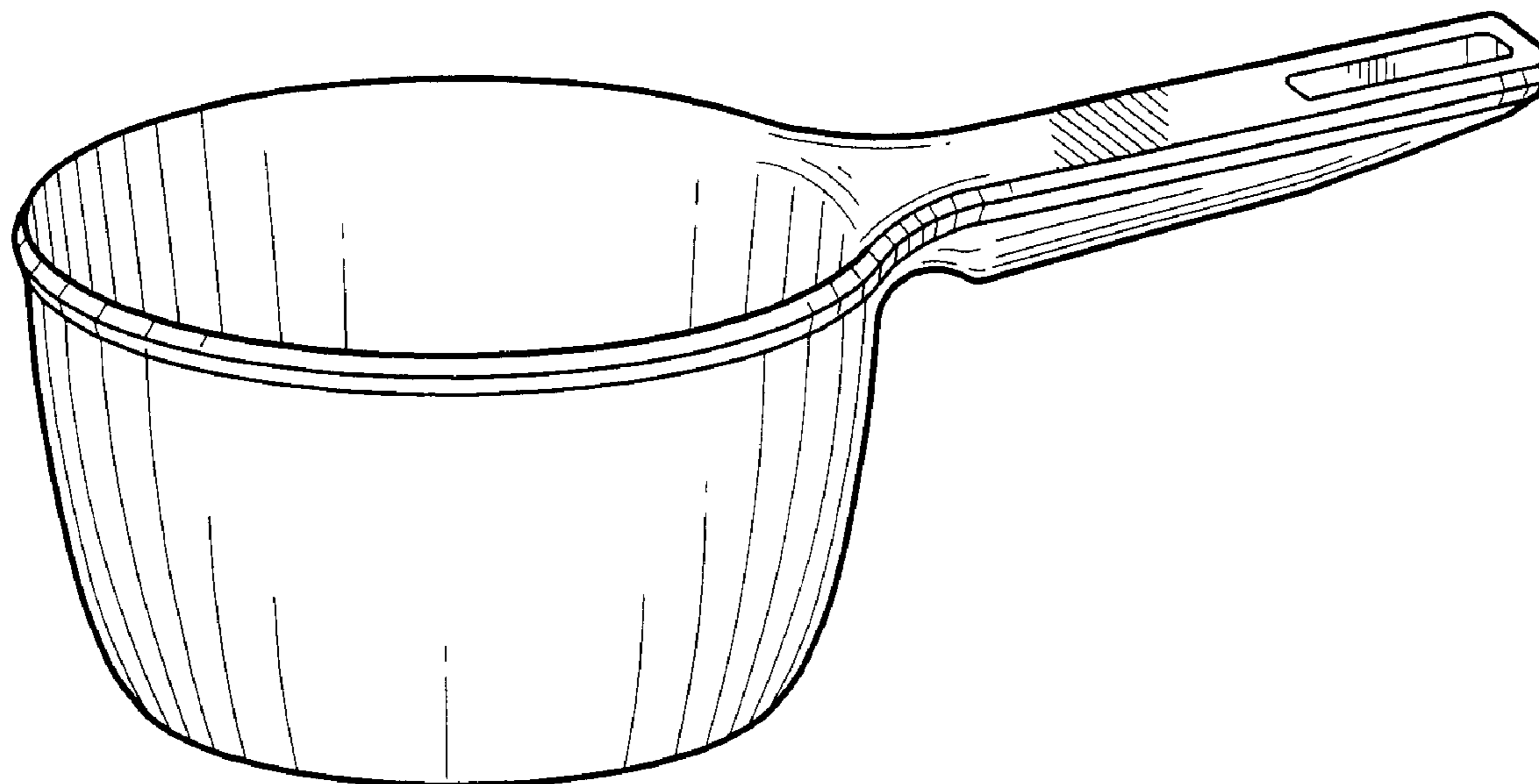
FIG. 1 shows a perspective view of my design for a pot for cooking;

FIG. 2 shows a top plan view thereof;

FIG. 3 shows a right side elevational view thereof; left side being a mirror image; and,

FIG. 4 shows a front elevational view.

**1 Claim, 2 Drawing Sheets**



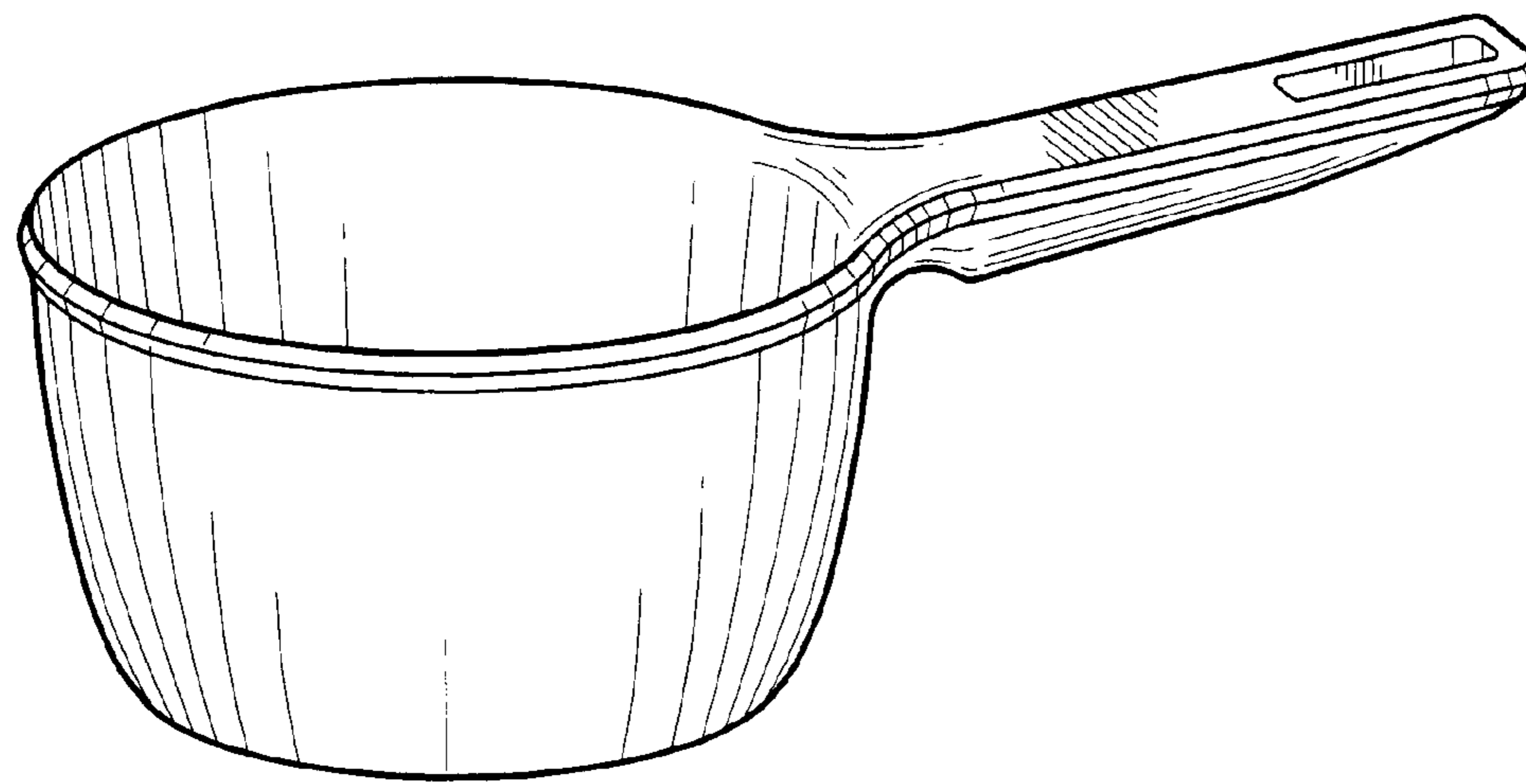


FIG. 1

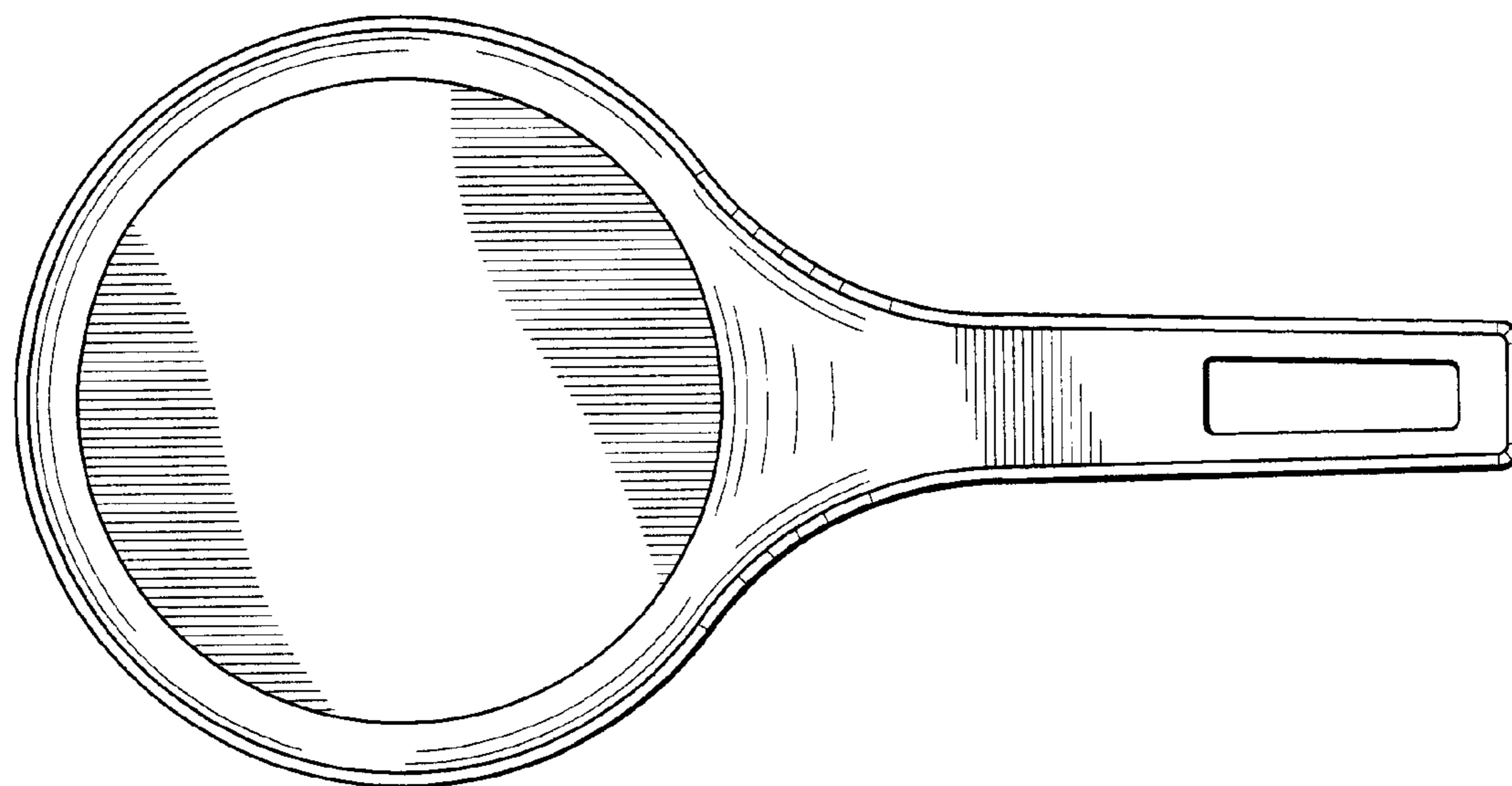


FIG. 2

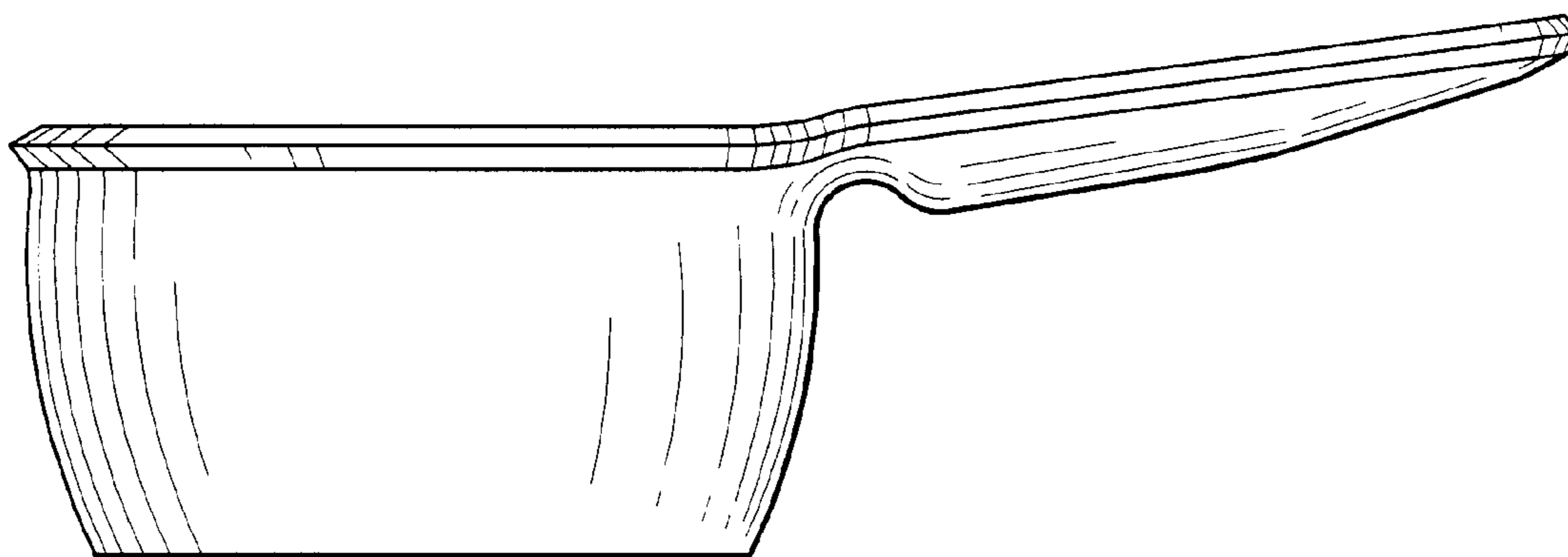


FIG. 3

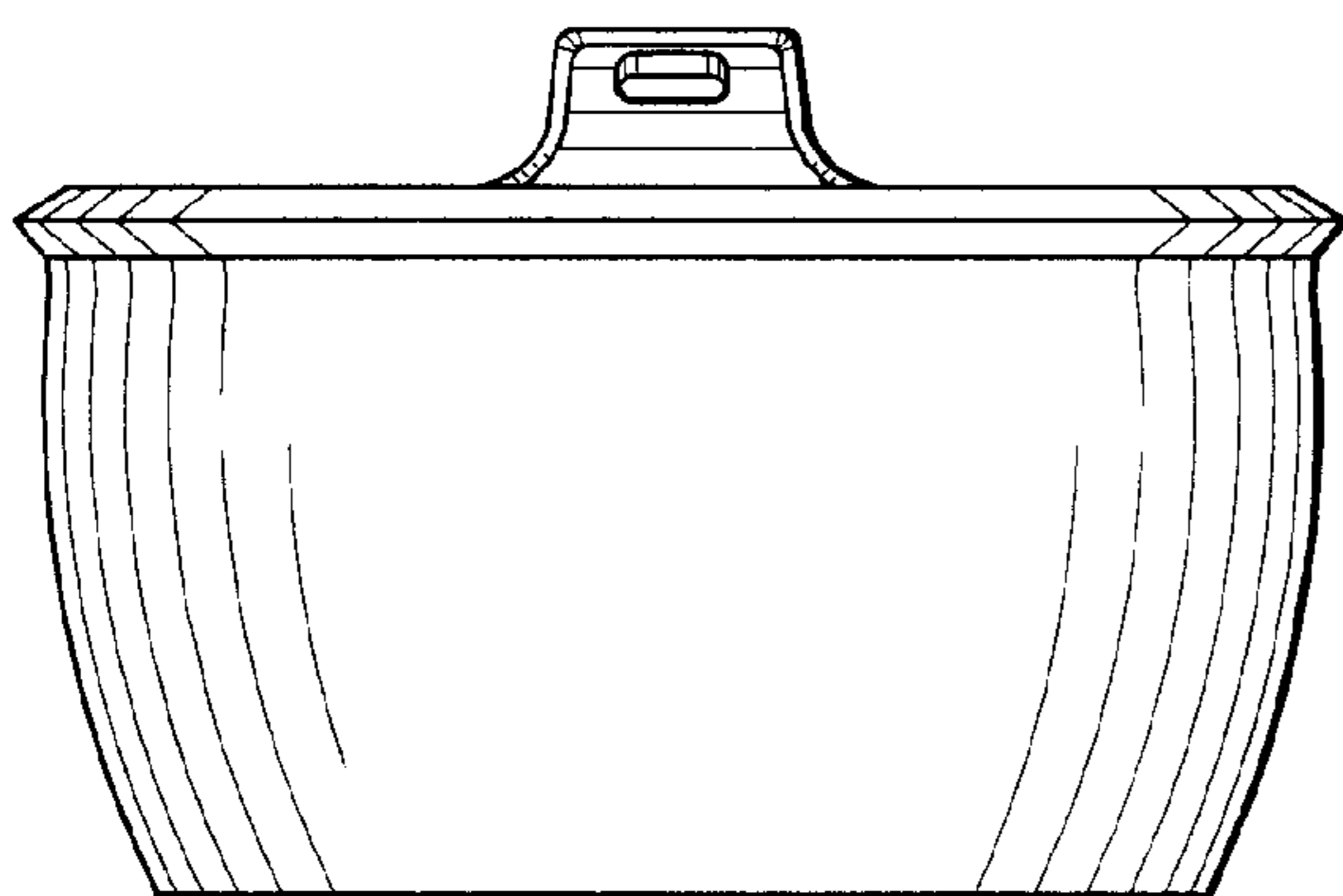


FIG. 4