

US00D537670S

(12) **United States Design Patent**
Genslak et al.

(10) **Patent No.: US D537,670 S**

(45) **Date of Patent: ** Mar. 6, 2007**

(54) **SLOW COOKER**

(75) Inventors: **Kristina Jean Genslak**, Saint Joseph, MI (US); **John Barclay Ledingham**, Saint Joseph, MI (US)

(73) Assignee: **Whirlpool Corporation**, Benton Harbor, MI (US)

(**) Term: **14 Years**

(21) Appl. No.: **29/243,249**

(22) Filed: **Nov. 22, 2005**

(51) **LOC (8) Cl.** **07-02**

(52) **U.S. Cl.** **D7/354**

(58) **Field of Classification Search** D7/323,
D7/545, 354-361, 337; 219/429, 432, 438,
219/440, 401, 441; 99/324, 325, 340, 347,
99/403, 410, 411-413, 419; 220/573.1, 912
See application file for complete search history.

(56) **References Cited**

U.S. PATENT DOCUMENTS

D104,914 S	*	6/1937	Cross	D7/360
D152,042 S	*	12/1948	Sundberg	D7/360
D366,592 S	*	1/1996	Cesaroni et al.	D7/360
D376,067 S	*	12/1996	Littmann	D7/360
D404,244 S	*	1/1999	Jozancy	D7/354
D420,246 S	*	2/2000	Alonge et al.	D7/360
D425,360 S	*	5/2000	Dobson et al.	D7/360

D429,596 S	*	8/2000	Hlava et al.	D7/360
D433,869 S	*	11/2000	Wong et al.	D7/360
D448,238 S	*	9/2001	Schmidt	D7/362
D451,335 S	*	12/2001	Rossmann	D7/360
D511,643 S	*	11/2005	Ball et al.	D7/360
D520,806 S	*	5/2006	Ryan	D7/354

FOREIGN PATENT DOCUMENTS

GB 2088311 * 11/1999

* cited by examiner

Primary Examiner—Cathron C. Brooks

Assistant Examiner—Ricky Pham

(74) *Attorney, Agent, or Firm*—Clifton C. Green; Robert O. Rice; John F. Colligan

(57) **CLAIM**

The ornamental design for a slow cooker, as shown and described.

DESCRIPTION

FIG. 1 is a front perspective view of the design of the slow cooker;

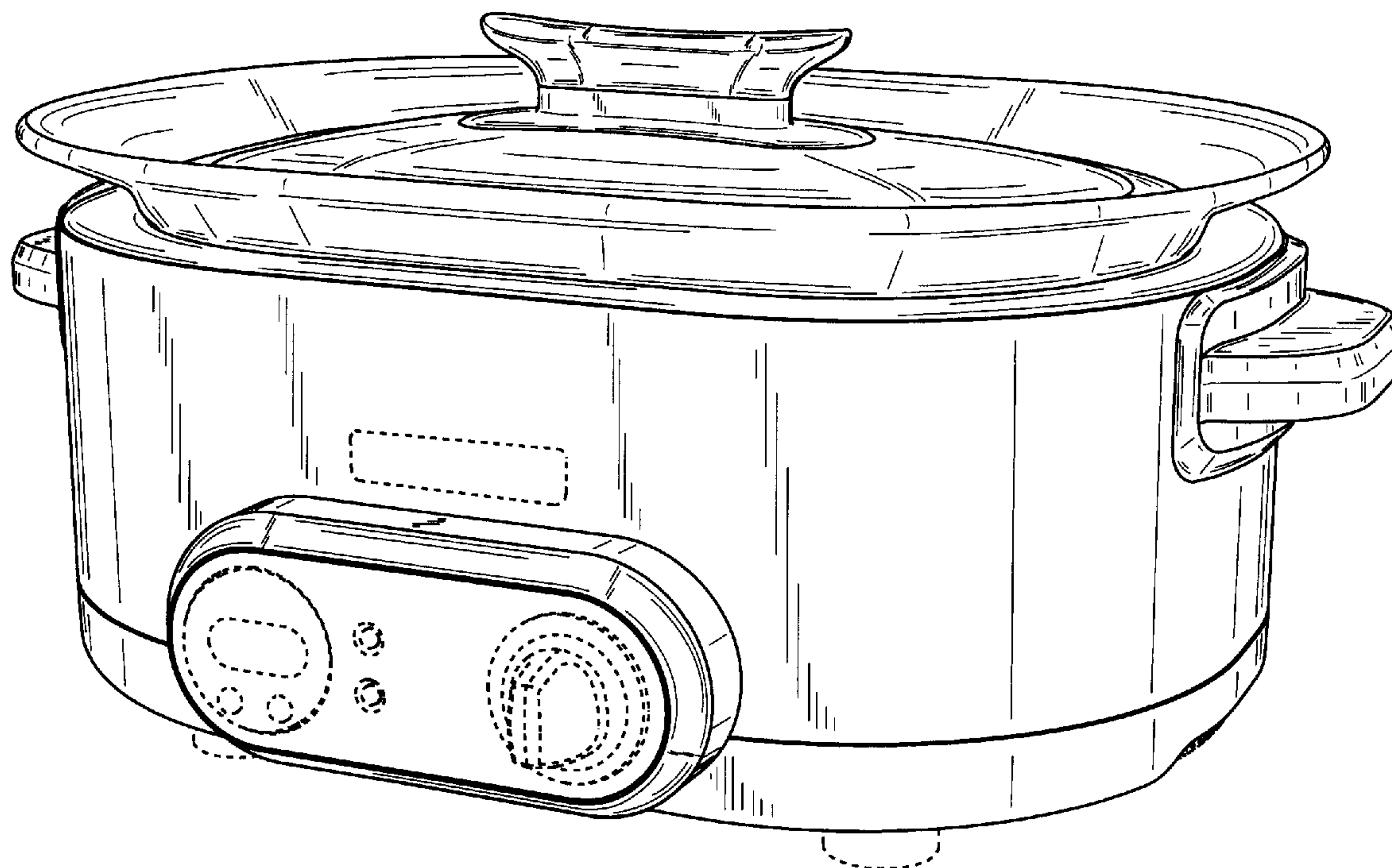
FIG. 2 is a front elevational view thereof;

FIG. 3 is a right side elevational view with the left side being a mirror image thereof; and,

FIG. 4 is a top plan view thereof.

The broken lines shown are for illustrative purposes only and form no part of the claimed design.

1 Claim, 4 Drawing Sheets



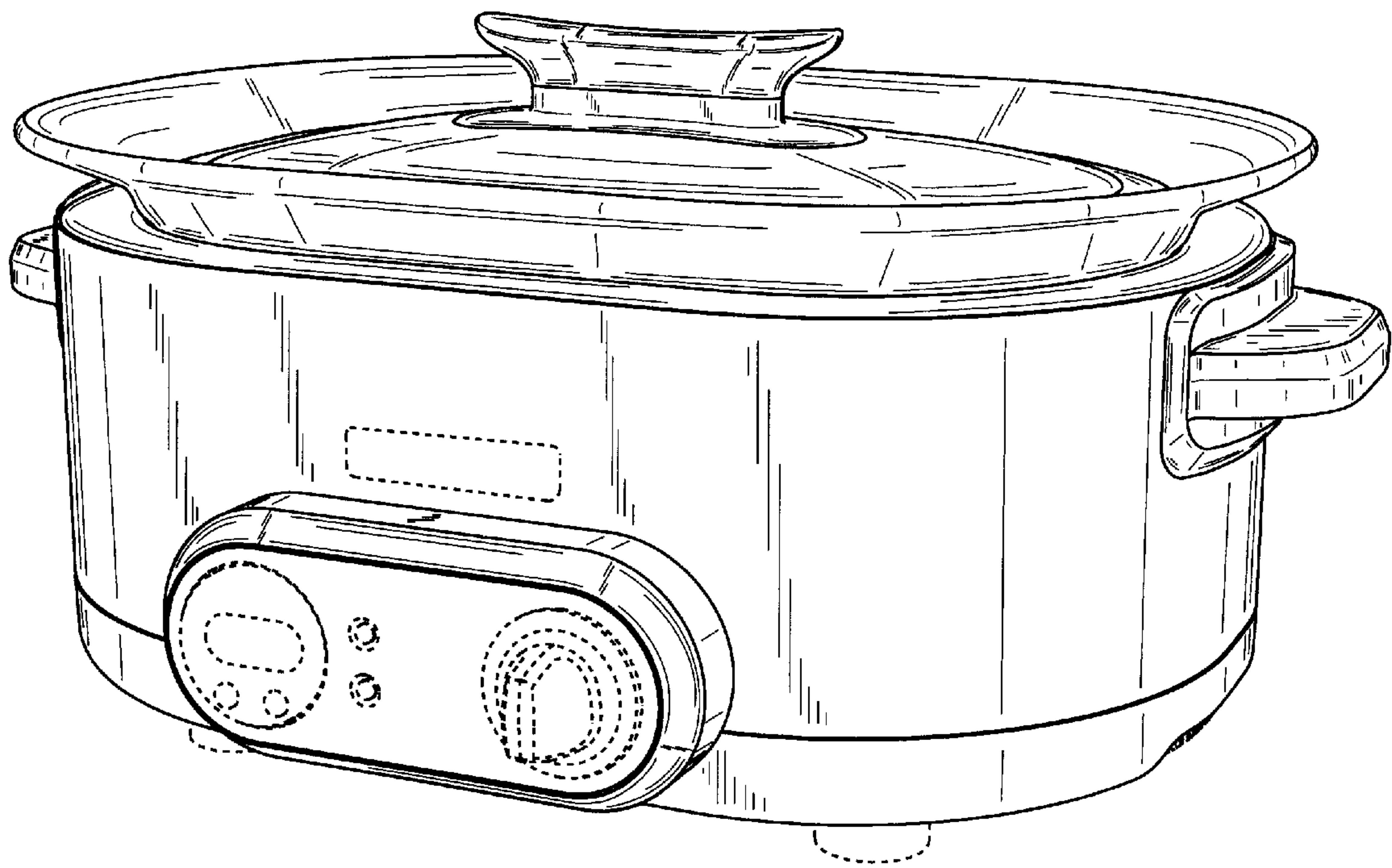


Fig. 1

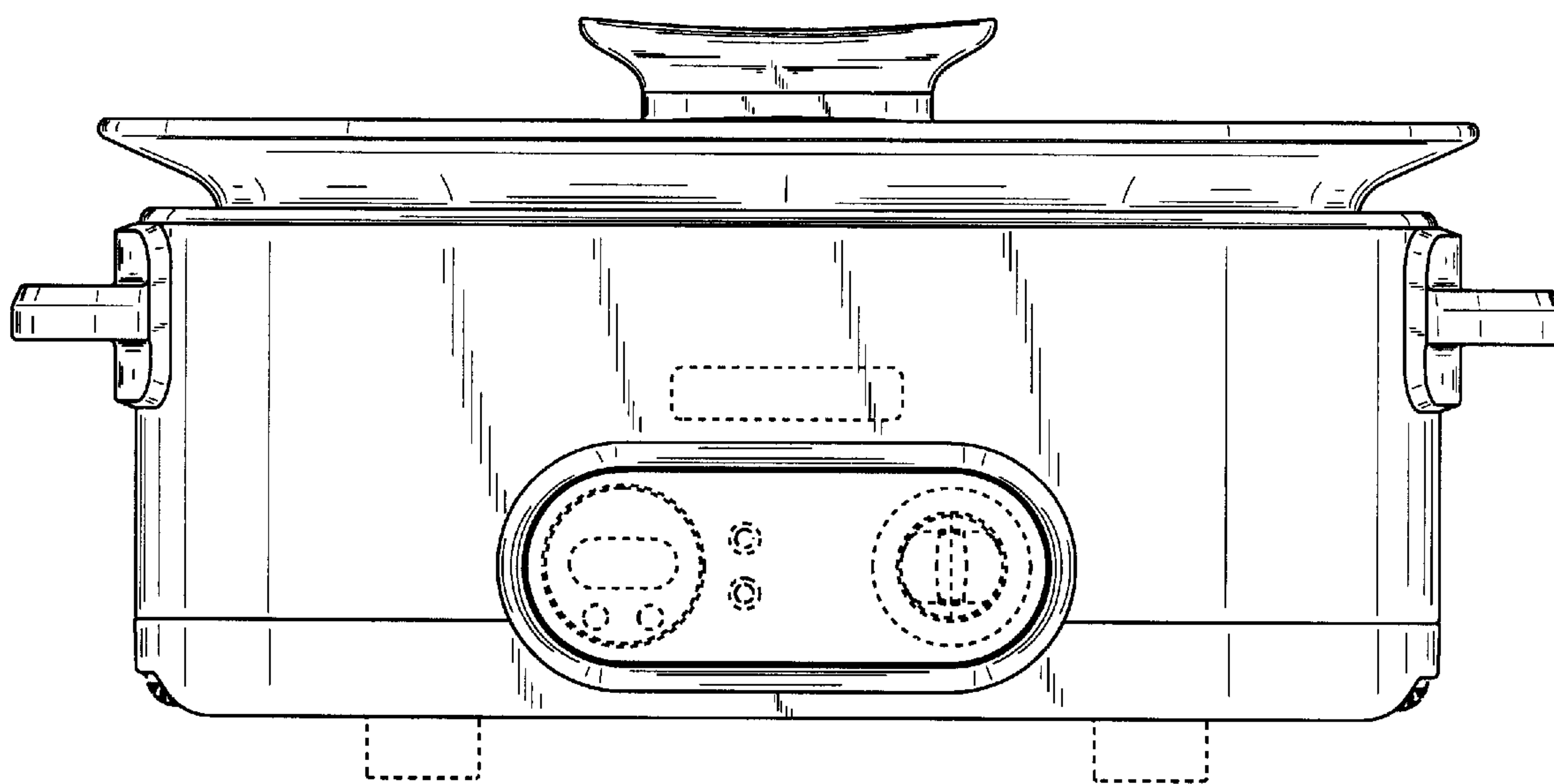


Fig 2

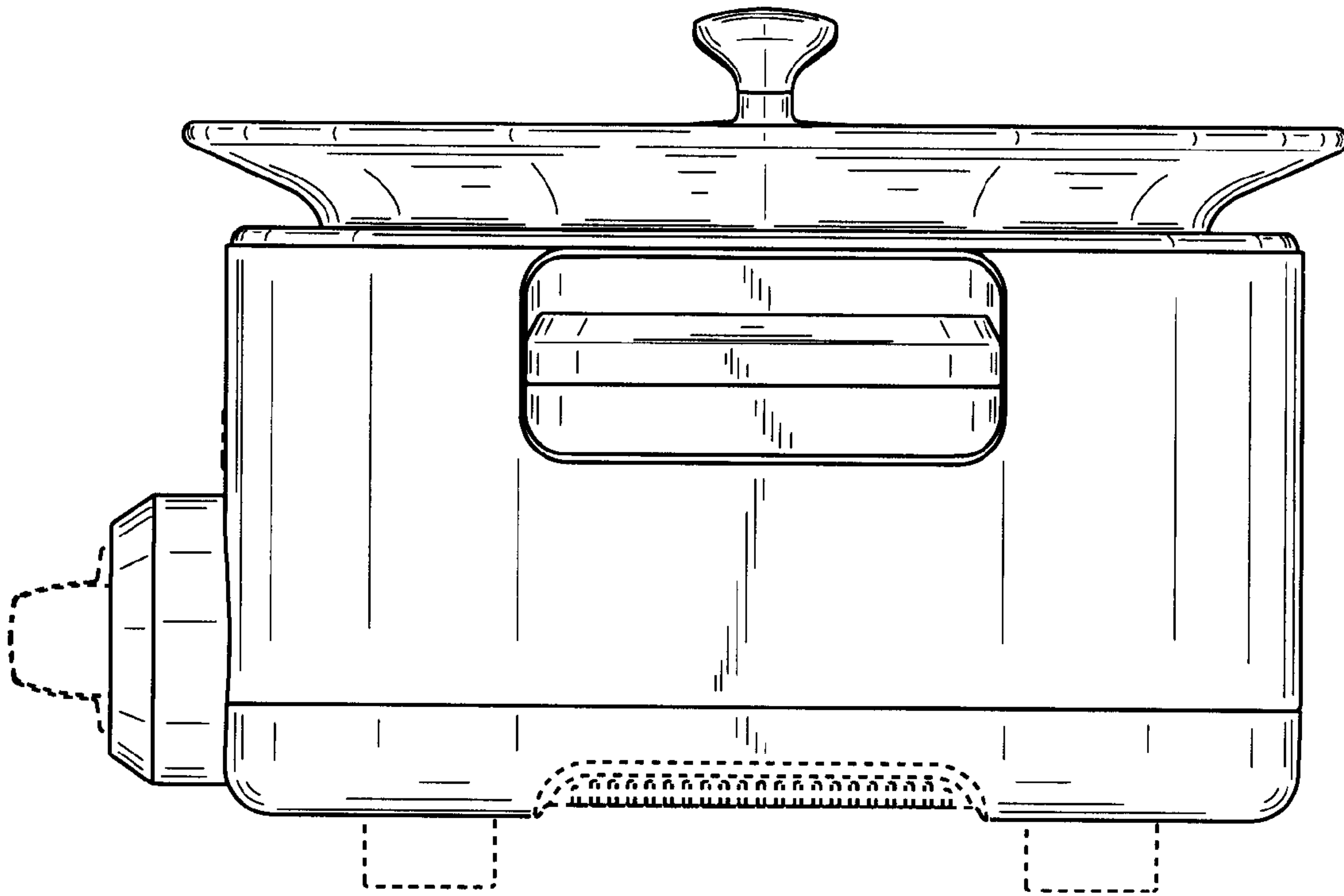


Fig. 3

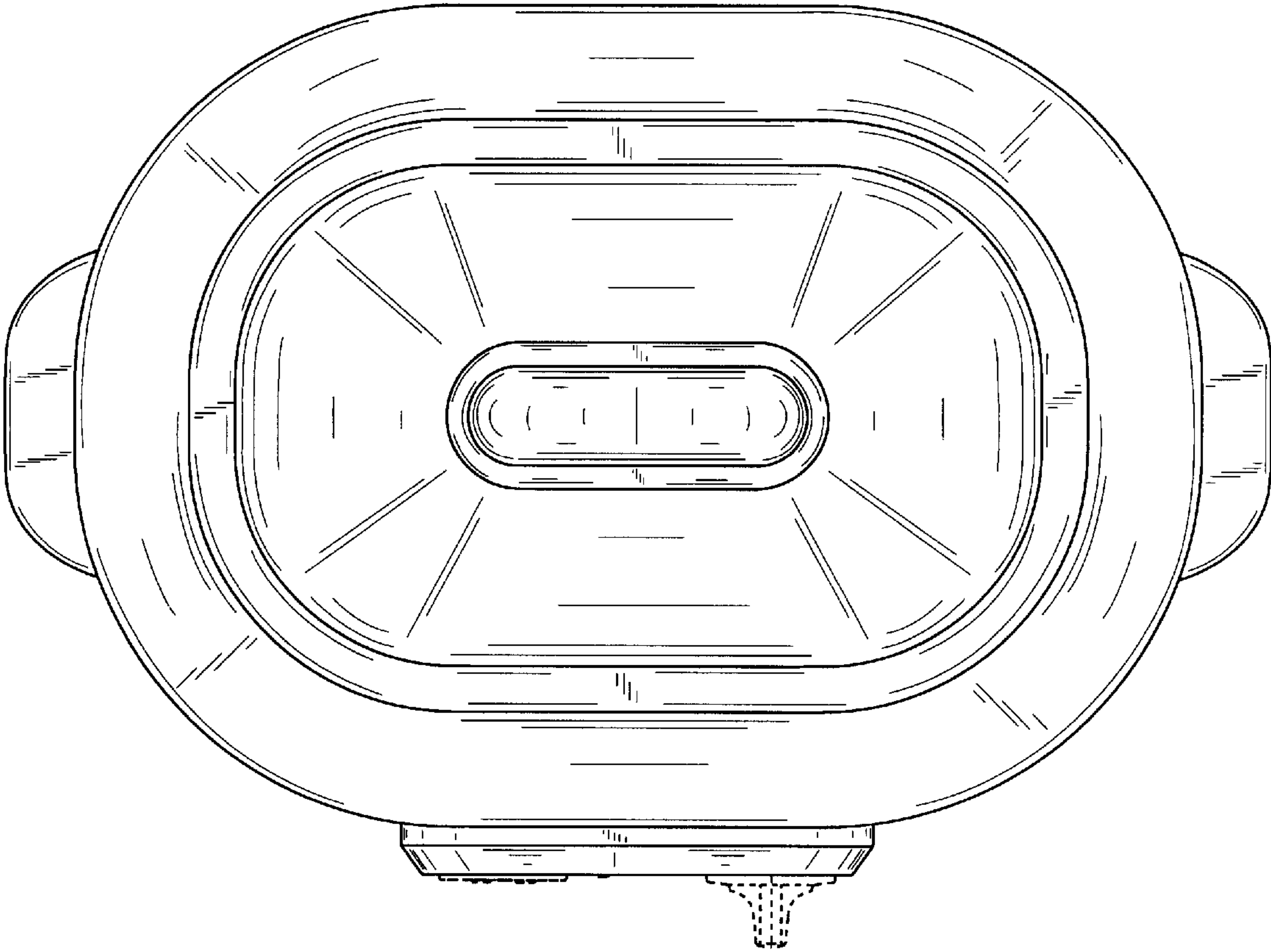


Fig. 4