



US00D537669S

(12) **United States Design Patent**
Loving

(10) **Patent No.:** **US D537,669 S**

(45) **Date of Patent:** **** Mar. 6, 2007**

(54) **BARBECUE GRILL**

(76) **Inventor:** **Christopher B. Loving**, 115 Bonami Ct., Fairburn, GA (US) 30213

(**) **Term:** **14 Years**

(21) **Appl. No.:** **29/222,657**

(22) **Filed:** **Feb. 3, 2005**

(51) **LOC (8) Cl.** **07-02**

(52) **U.S. Cl.** **D7/332**

(58) **Field of Classification Search** D7/332,
D7/334-337, 402-405; 126/25 R, 25 A,
126/25 AA, 25 B, 29-30, 41 R, 38, 37 R,
126/9 R, 40, 50, 304 R, 305, 276; 99/419,
99/421 R, 444, 450; 312/140.1, 140.3, 236;
248/129; 108/44, 519

See application file for complete search history.

(56) **References Cited**

U.S. PATENT DOCUMENTS

D270,606 S	*	9/1983	McCrary et al.	D7/334
D312,746 S	*	12/1990	Lutter	D7/337
D324,153 S	*	2/1992	Wood	D7/402
D325,319 S	*	4/1992	Zilber et al.	D7/337
D326,583 S	*	6/1992	Lutter et al.	D7/332
D358,527 S	*	5/1995	Danielson et al.	D7/332
D373,047 S	*	8/1996	McCrary et al.	D7/334
D379,286 S	*	5/1997	Fincher	D7/334
D397,580 S	*	9/1998	Dunn et al.	D7/402

D467,119 S	*	12/2002	McGargill	D7/332
D481,255 S	*	10/2003	Mak	D7/332
D497,078 S	*	10/2004	Ethridge	D7/402

* cited by examiner

Primary Examiner—Ruth McInroy

(74) *Attorney, Agent, or Firm*—Jerome J. Norris

(57) **CLAIM**

The ornamental design for barbecue grill, as shown and described.

DESCRIPTION

FIG. 1 is a perspective view of a barbecue grill showing my new design;

FIG. 2 is a front elevational view thereof;

FIG. 3 is a rear elevational view thereof;

FIG. 4 is a side elevational view thereof; the opposite side being a mirror image; and

FIG. 5 is a side elevational view thereof with grill cover open, the opposite side being a mirror image;

FIG. 6 is a top plan view thereof;

FIG. 7 is a perspective view in tow behind a vehicle, the shelves and lid detached and the broken lines forming no part of the design; and,

FIG. 8 shows the grill mounted on an alternate support, the support shown in broken lines forms no part of the claimed design.

1 Claim, 5 Drawing Sheets

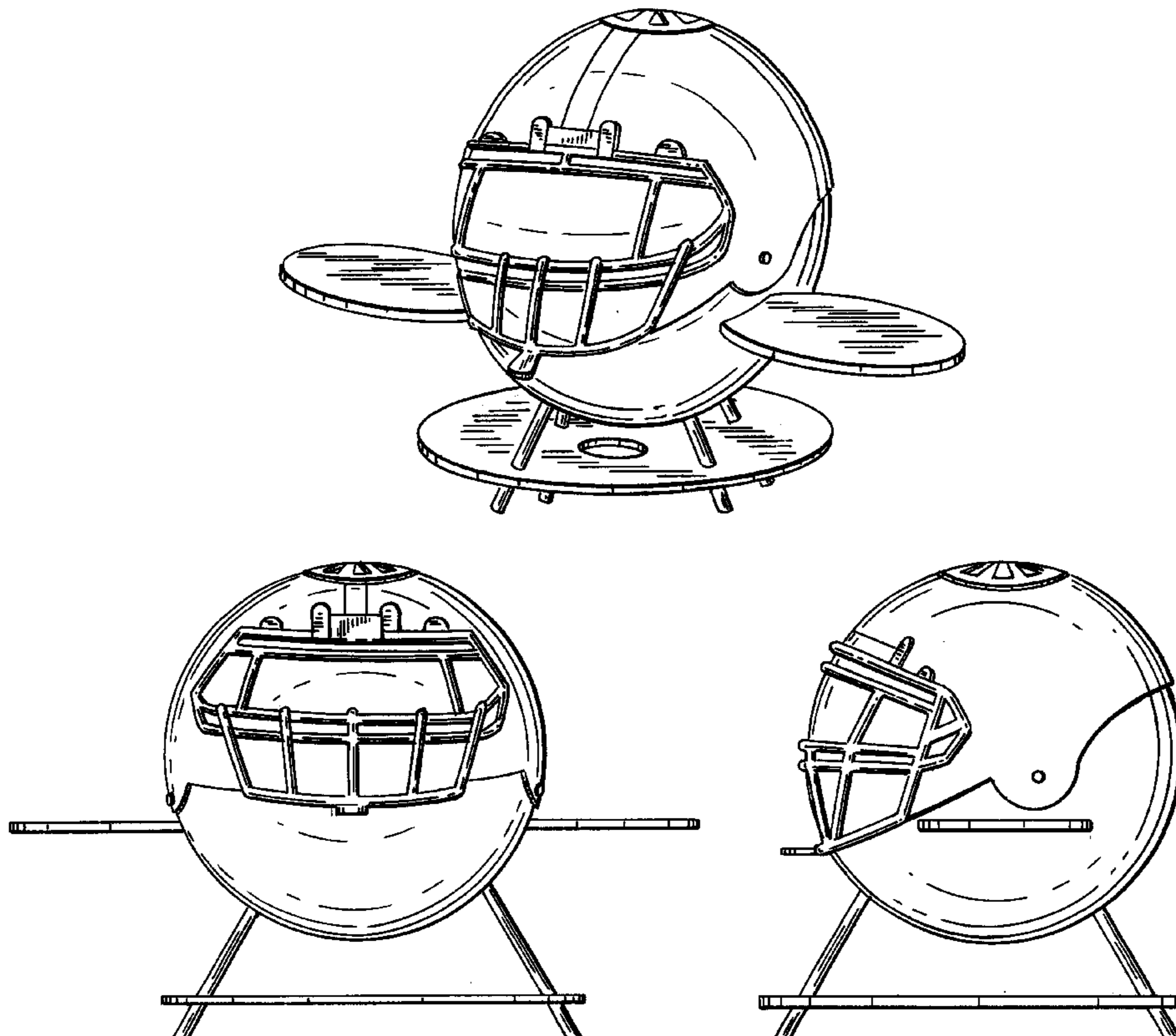


FIG. 1

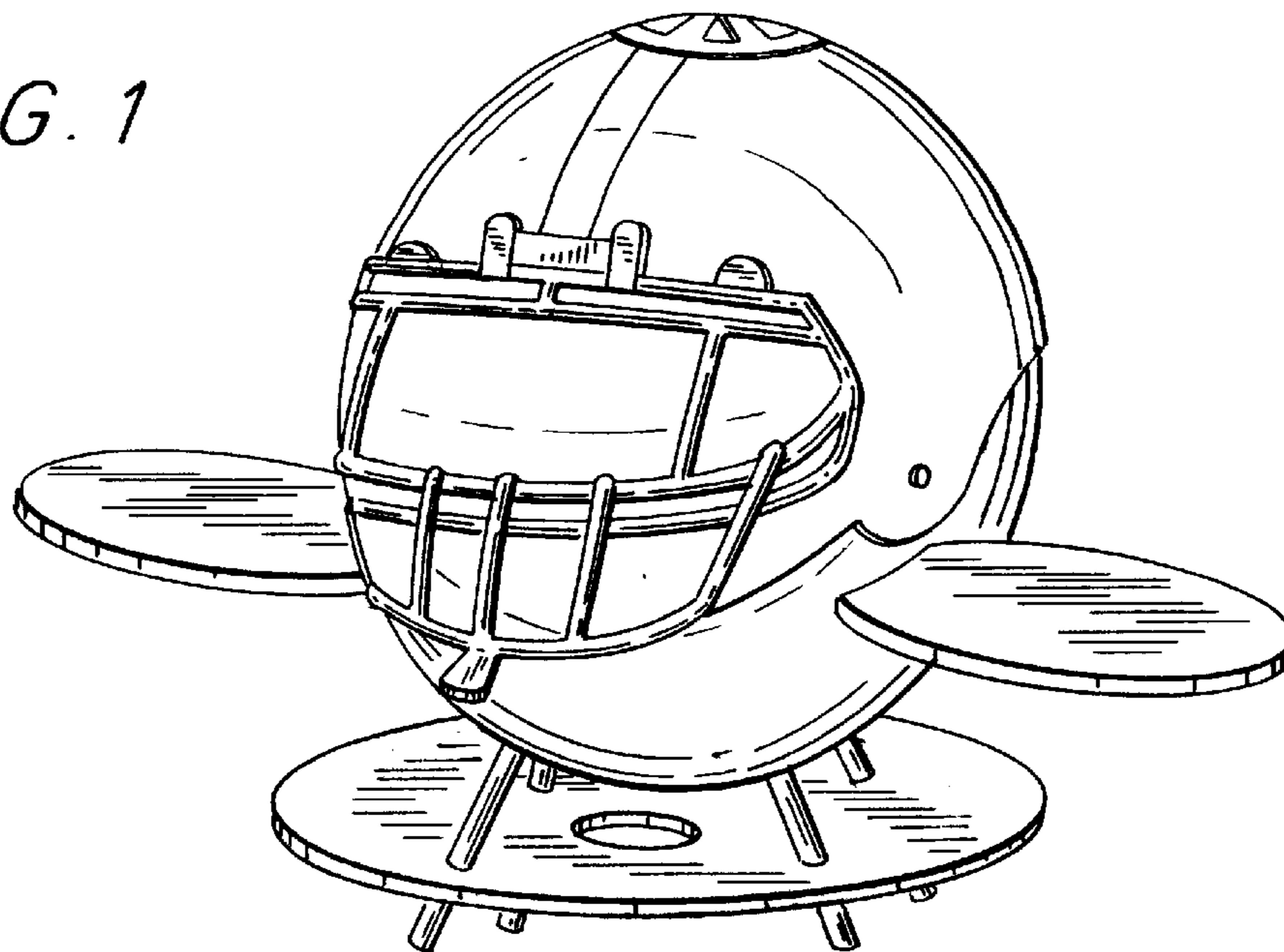


FIG. 2

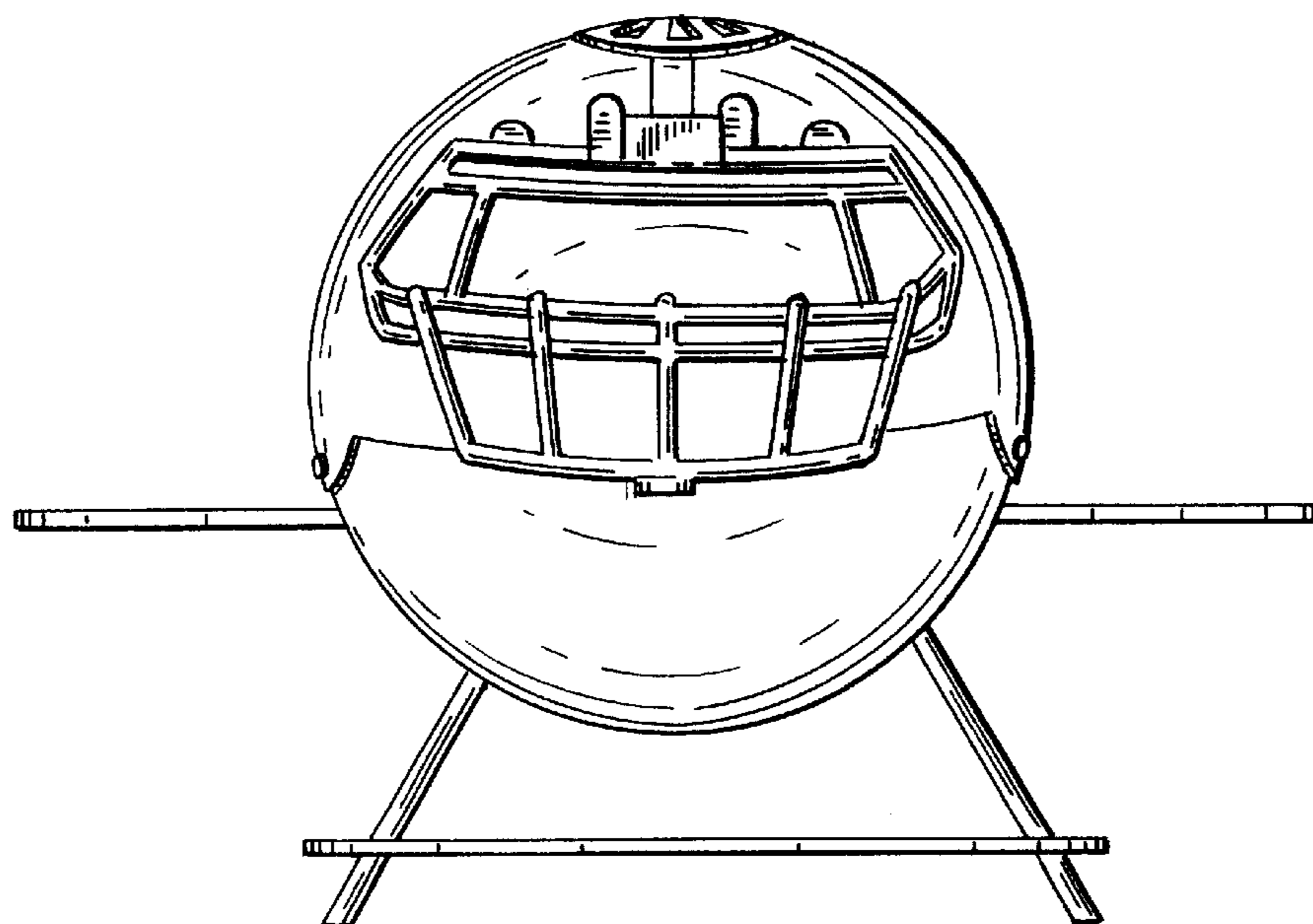


FIG. 3

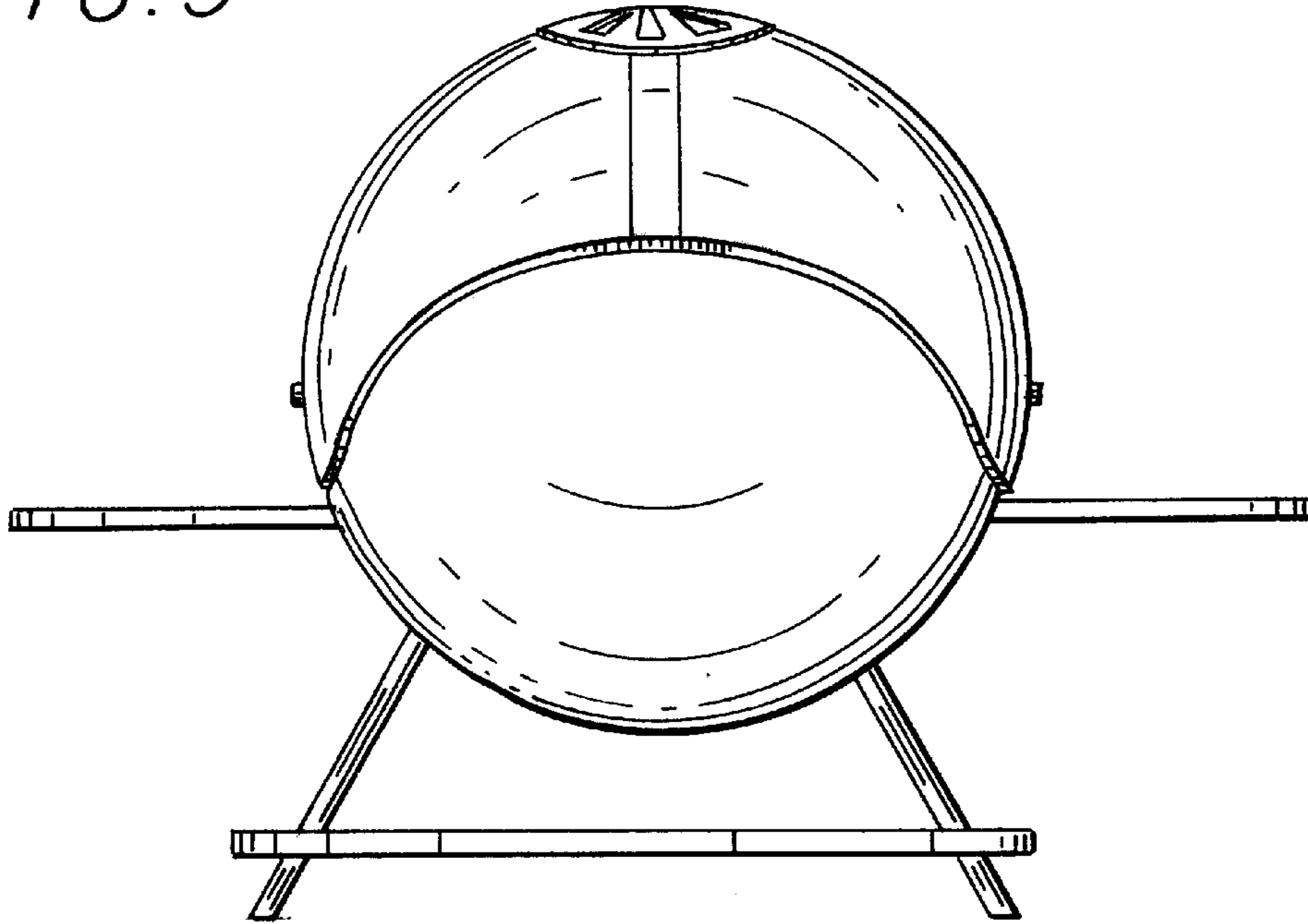


FIG. 4

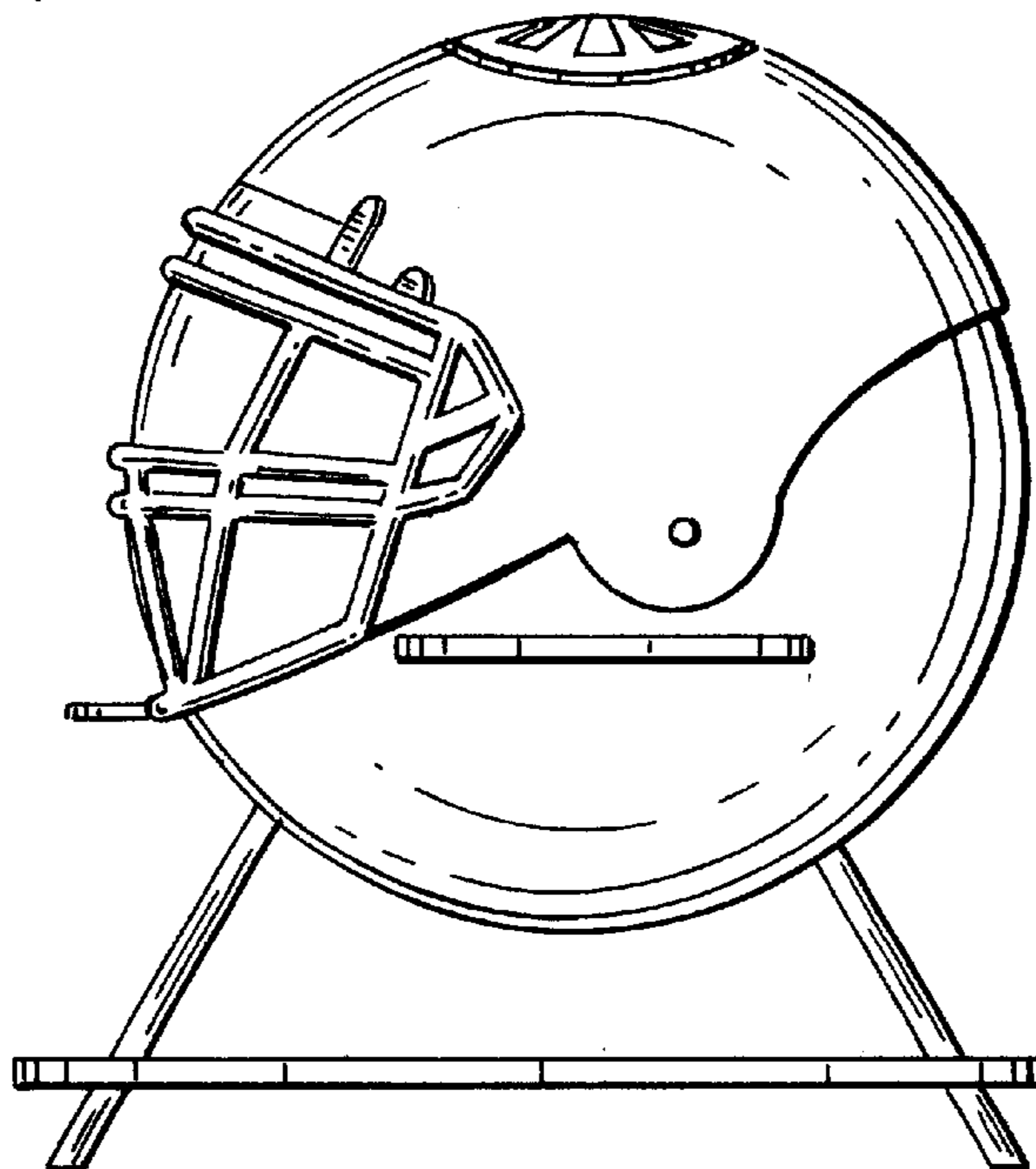


FIG. 5

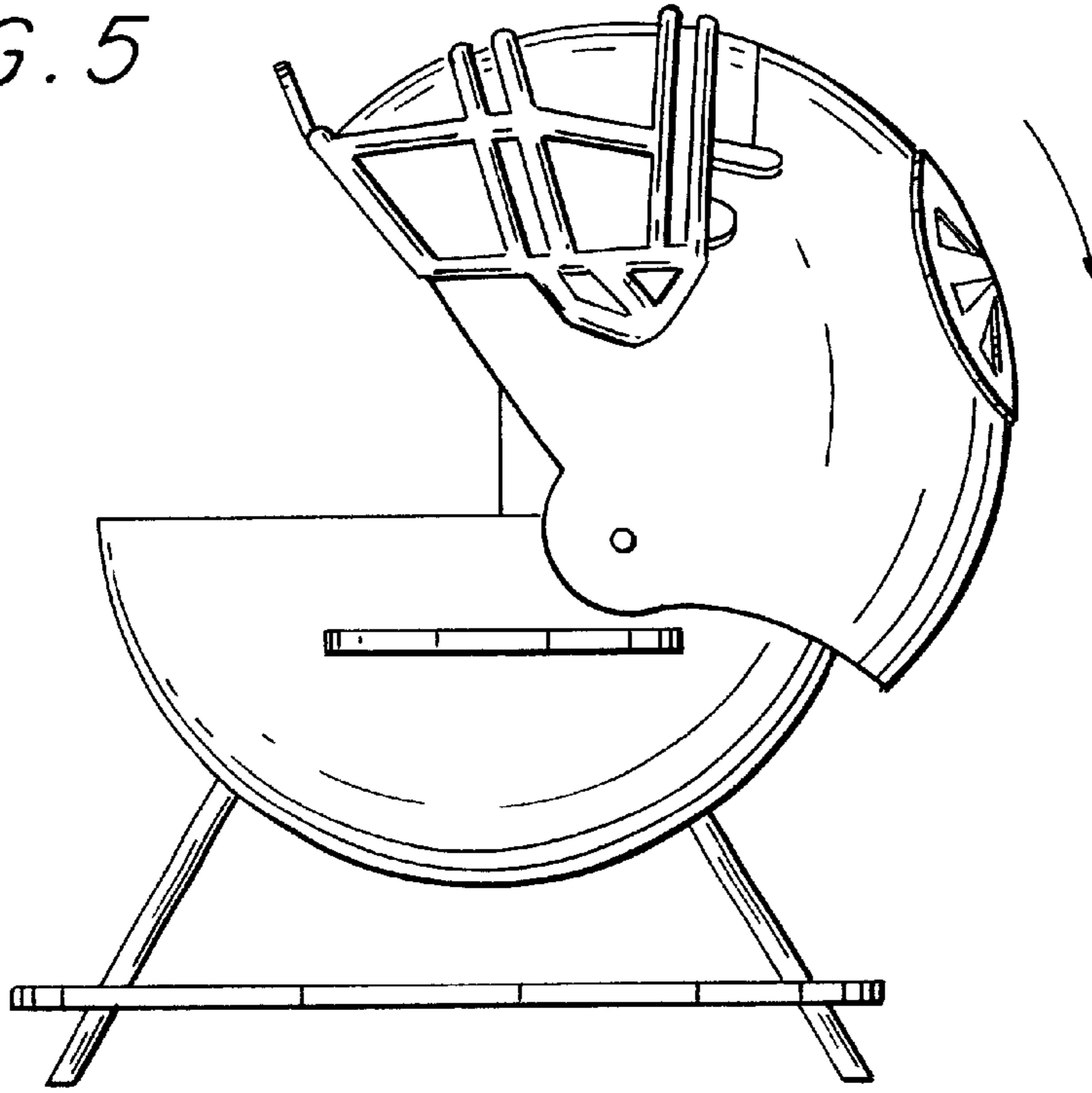


FIG. 6

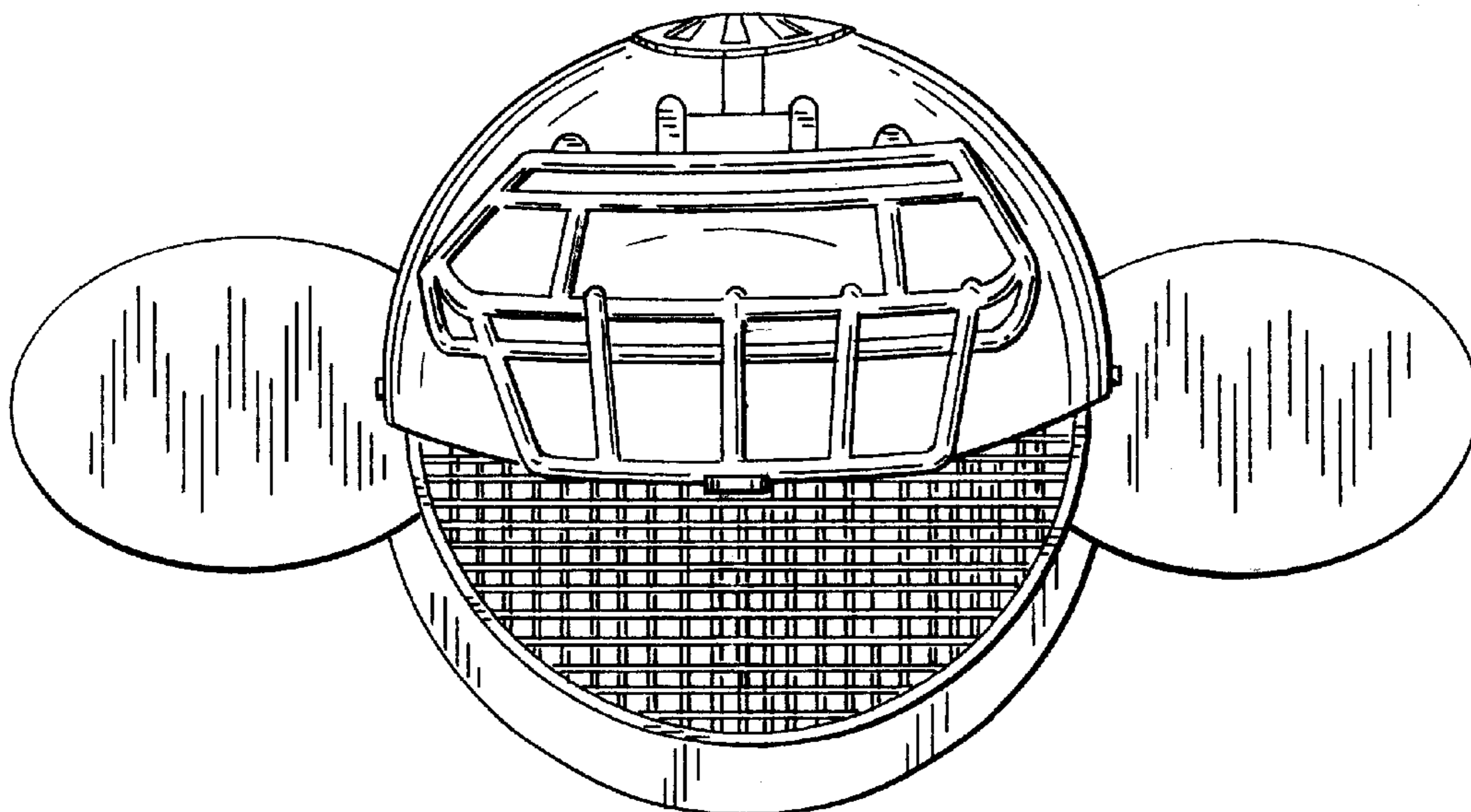


FIG. 7

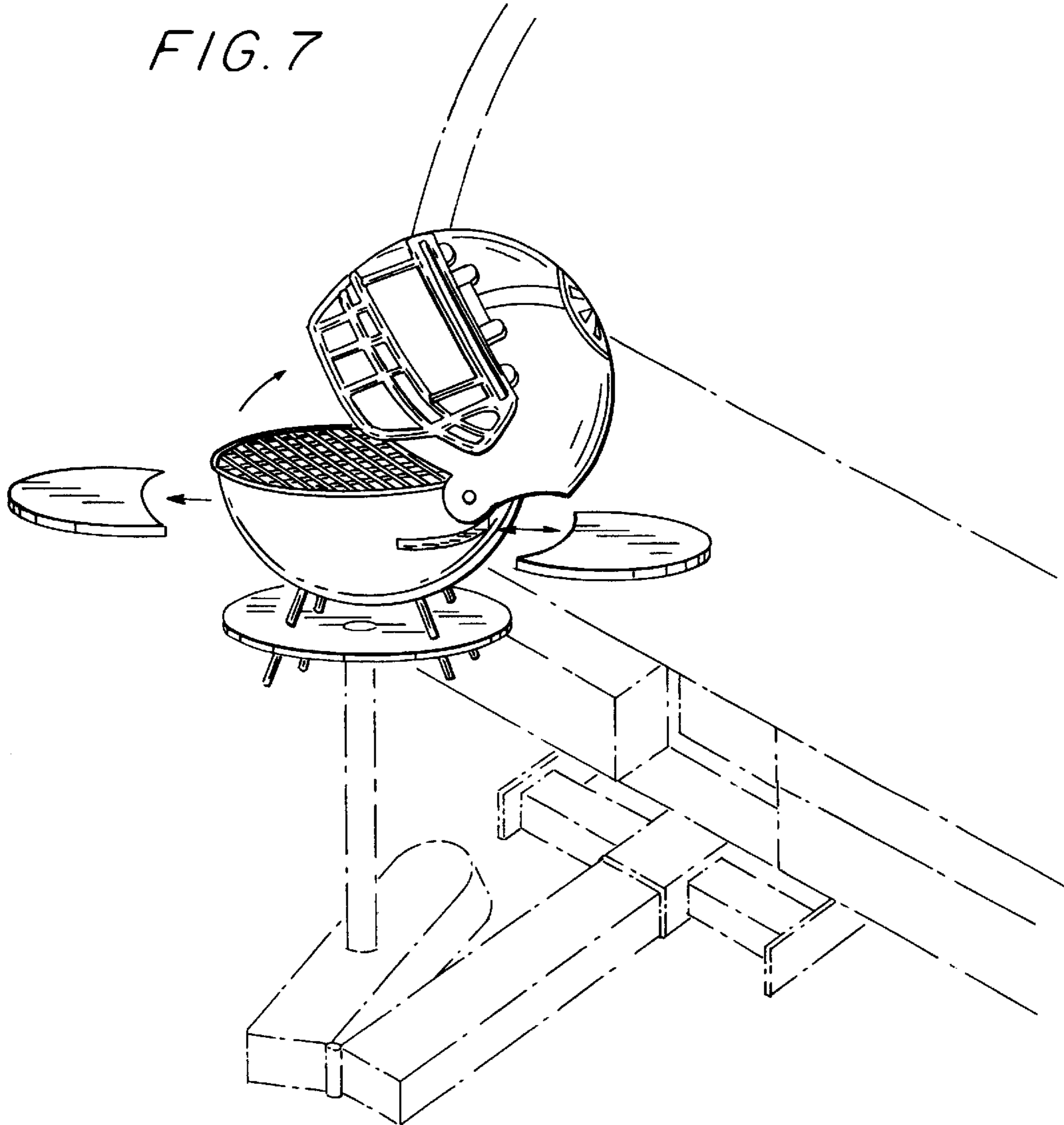


FIG. 8

