



US00D537665S

(12) **United States Design Patent**
Hart

(10) **Patent No.:** **US D537,665 S**

(45) **Date of Patent:** **** Mar. 6, 2007**

(54) **GROOMING STATION**

D514,890 S * 2/2006 Morgan D6/553

(75) Inventor: **Amy L. Hart**, Montclair, NJ (US)

* cited by examiner

(73) Assignee: **Liberty Hardware Mfg. Corp.**,
Winston-Salem, NC (US)

Primary Examiner—Brian N Vinson

(74) *Attorney, Agent, or Firm*—Edgar A. Zarins; Lloyd D. Doigan

(**) Term: **14 Years**

(57) **CLAIM**

(21) Appl. No.: **29/208,488**

The ornamental design for a grooming station, as shown and described.

(22) Filed: **Jun. 29, 2004**

DESCRIPTION

(51) **LOC (8) Cl.** **23-02**

(52) **U.S. Cl.** **D6/525**

(58) **Field of Classification Search** D6/524–525,
D6/570, 571, 553; 211/13.1, 32, 41.2, 35,
211/86.01, 87.01, 88.01, 90.01

See application file for complete search history.

FIG. 1 is a perspective view of a grooming station showing my new design;

FIG. 2 is a front elevational view thereof;

FIG. 3 is a right side view thereof, the opposite side being a mirror image of the side shown; and,

FIG. 4 is a top plan view thereof.

The broken-line disclosure in the views is for illustrative purposes only and is understood to form no part of the claimed design.

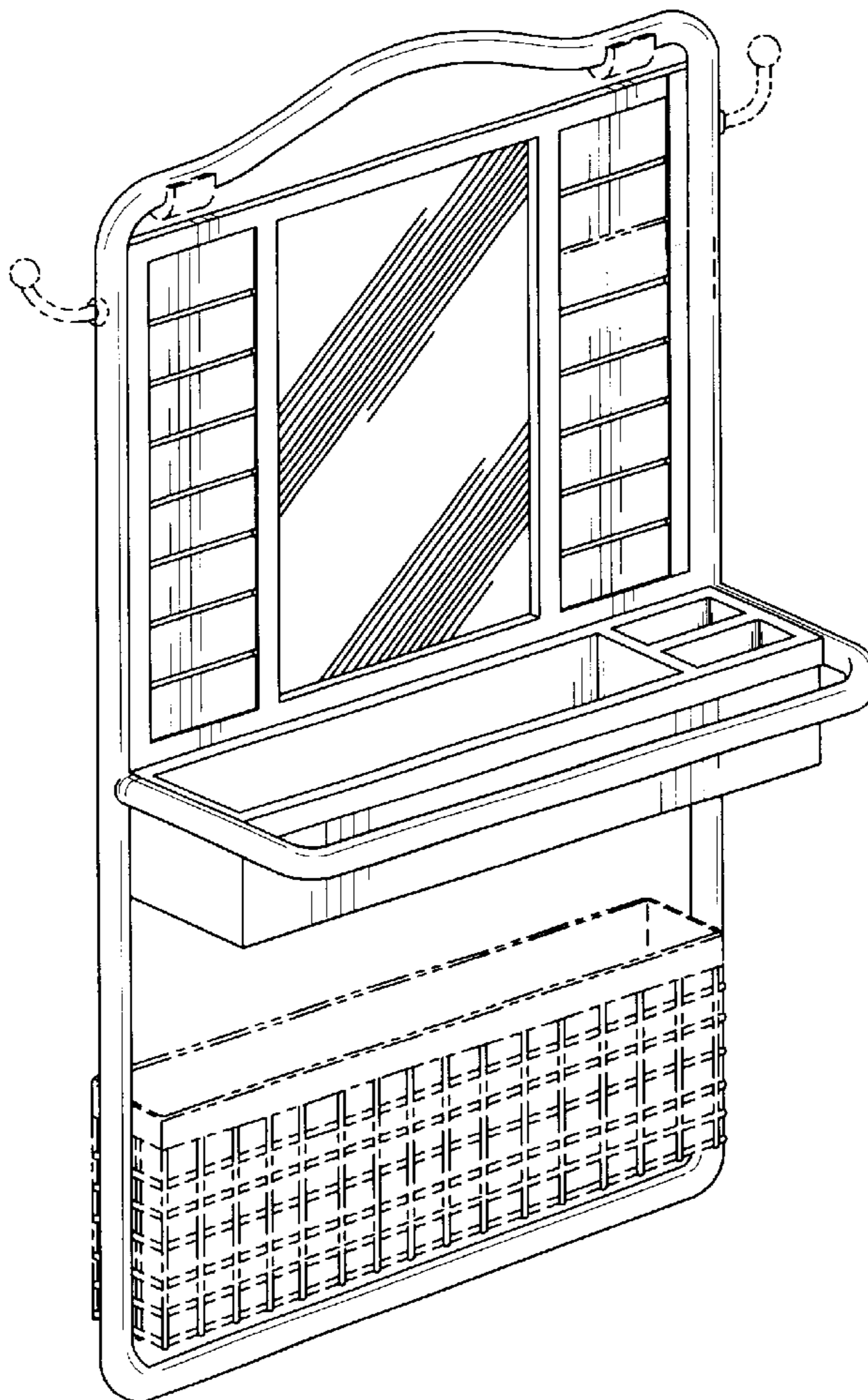
(56) **References Cited**

U.S. PATENT DOCUMENTS

D317,234 S * 6/1991 Ruck D6/553

D395,777 S * 7/1998 Belokin et al. D6/567

1 Claim, 2 Drawing Sheets



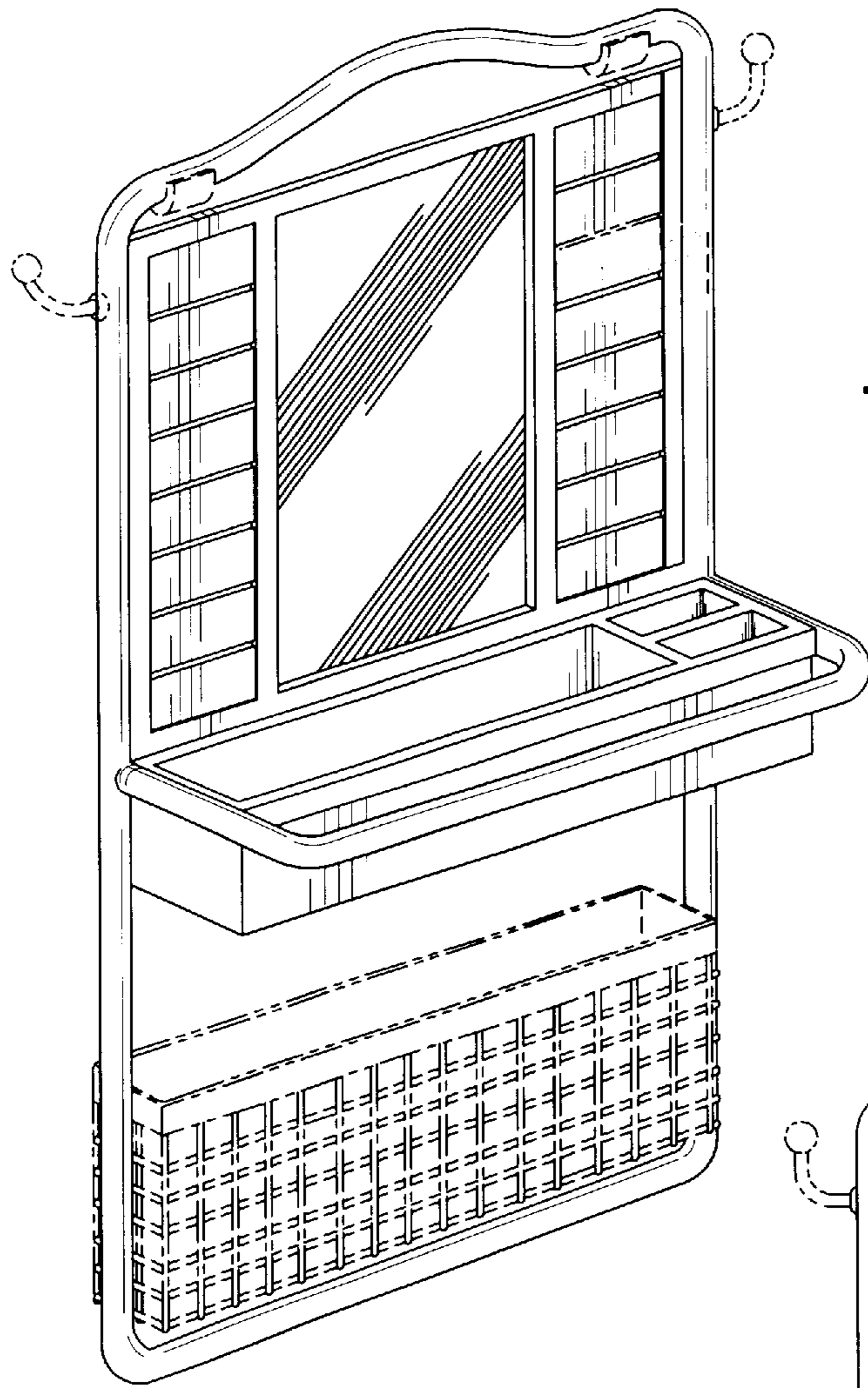


Fig-1

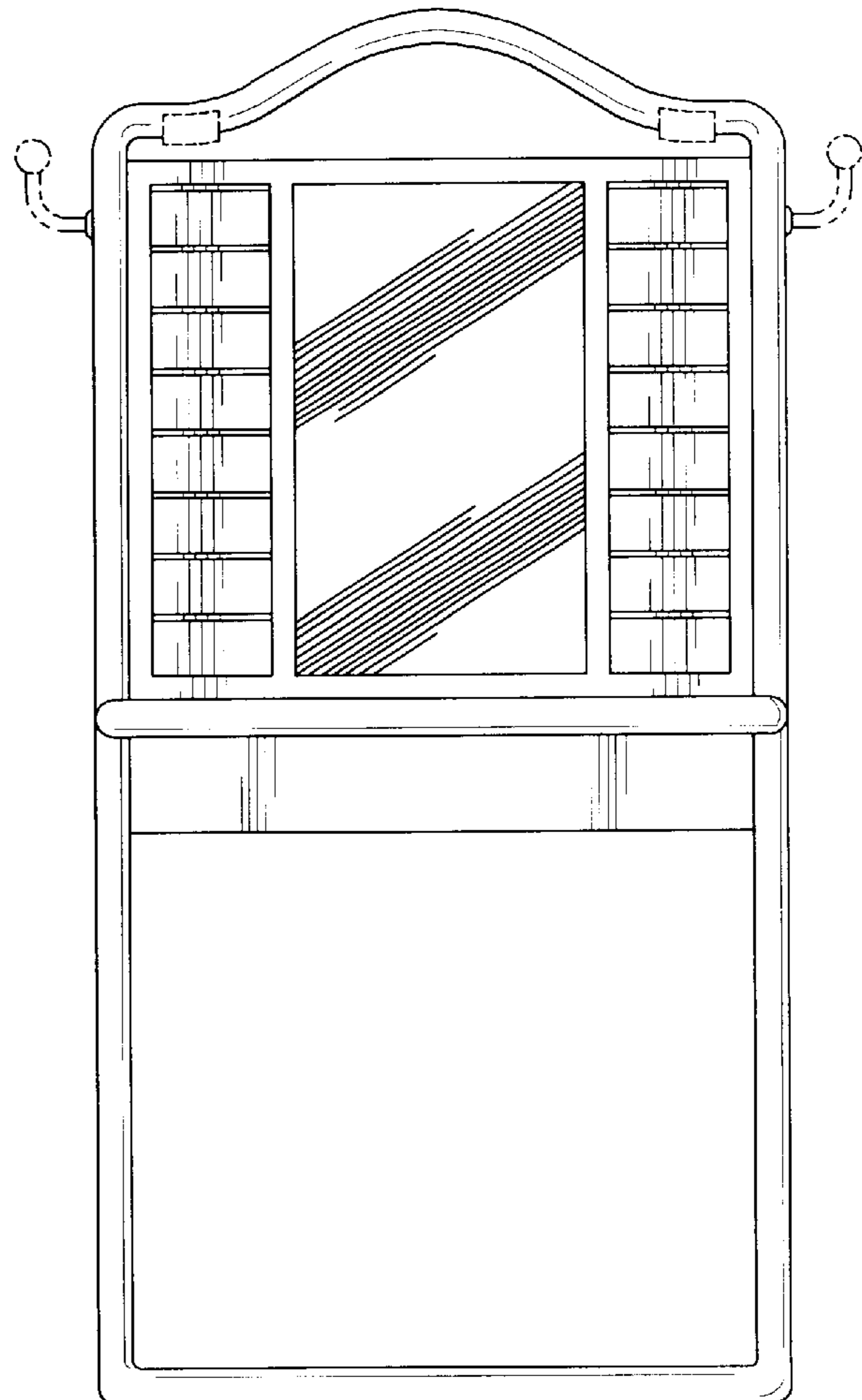


Fig-2

Fig-3

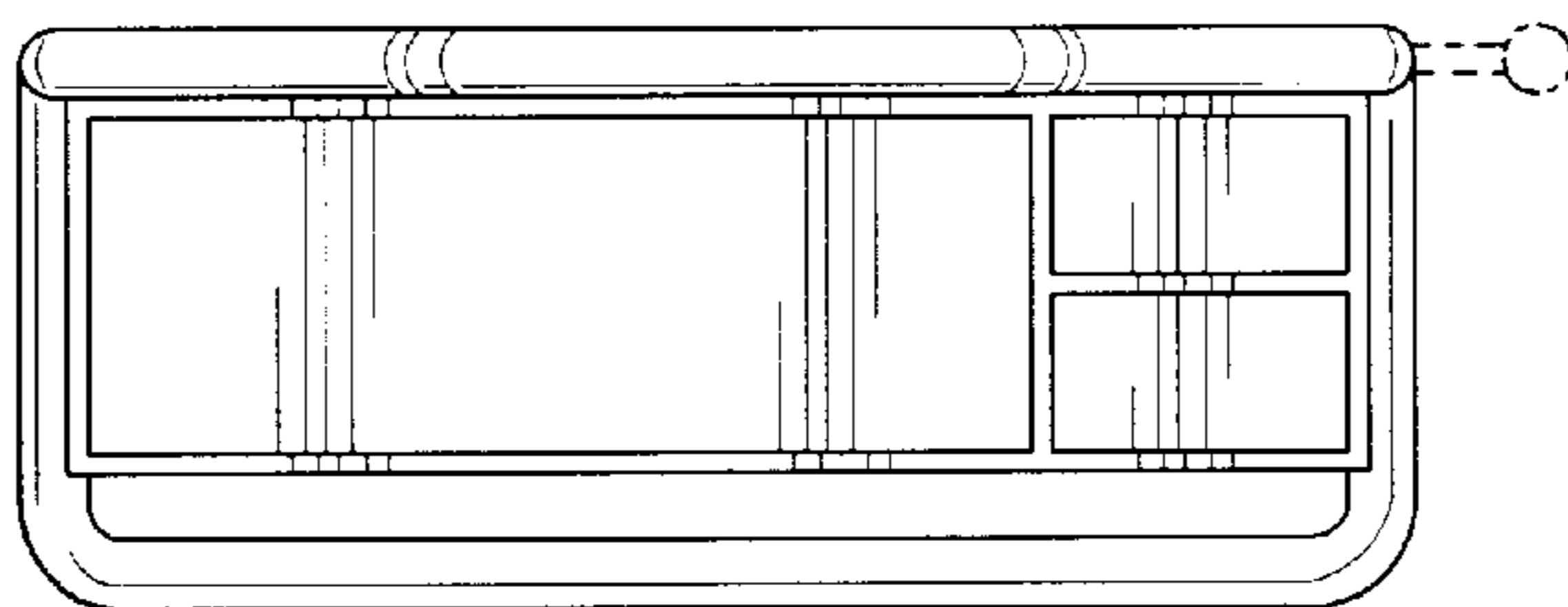
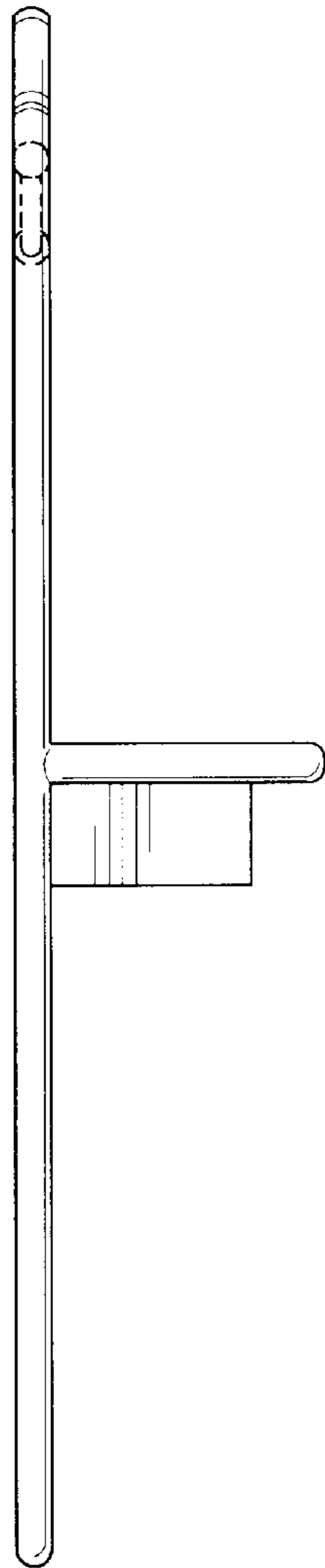


Fig-4