

US00D537657S

(12) **United States Design Patent**
Fujii et al.

(10) **Patent No.:** **US D537,657 S**
(45) **Date of Patent:** **** Mar. 6, 2007**

(54) **TELEVISION SET STAND**

FOREIGN PATENT DOCUMENTS

(75) Inventors: **Mitsunari Fujii**, Hyogo (JP); **Mitsuru Takami**, Osaka (JP); **Satoshi Tanigawa**, Osaka (JP)

JP	D1076454	6/2000
JP	D1143563	6/2002
JP	D1149593	8/2002
JP	D1175786	6/2003
JP	D1182525	8/2003
JP	D1182690	8/2003
JP	D1182691	8/2003
JP	D1186710	10/2003
JP	D1197509	2/2004
JP	D1217920	9/2004
JP	D1219866	10/2004
JP	D1236446	4/2005

(73) Assignee: **Matsushita Electric Industrial Co., Ltd.**, Osaka (JP)

(**) Term: **14 Years**

(21) Appl. No.: **29/253,227**

(22) Filed: **Feb. 1, 2006**

(30) **Foreign Application Priority Data**

Aug. 1, 2005 (JP) 2005-022327

(51) **LOC (8) Cl.** **06-04**

(52) **U.S. Cl.** **D6/477; D6/479**

(58) **Field of Classification Search** D6/460,
D6/461, 468, 474, 477-479; 312/7.2, 9.1;
108/59, 91, 92, 96; 211/40, 41.12, 42, 49.1,
211/50, 85.2, 90.04, 187, 190, 119.003, 134.153,
211/87.01, 71.01
See application file for complete search history.

(56) **References Cited**

U.S. PATENT DOCUMENTS

D400,201 S	10/1998	Tsuge et al.	
D457,507 S	5/2002	Lim et al.	
D477,292 S	7/2003	Inoue et al.	
D485,539 S	1/2004	Goto et al.	
D486,804 S	2/2004	Takami et al.	
D488,141 S	4/2004	Takami et al.	
D500,930 S	1/2005	Goto et al.	
D505,807 S	6/2005	Goto et al.	
D515,848 S	* 2/2006	Takami et al.	D6/477

* cited by examiner

Primary Examiner—Cathron C. Brooks

(74) *Attorney, Agent, or Firm*—Brinks Hofer Gilson & Lione

(57) **CLAIM**

We claim the ornamental design for a television set stand, as shown and described.

DESCRIPTION

FIG. 1 is a top perspective view of a television set stand of the present invention;

FIG. 2 is a front view thereof;

FIG. 3 is a top view thereof;

FIG. 4 is a first side view thereof;

FIG. 5 is a second side view thereof;

FIG. 6 is a bottom view thereof; and,

FIG. 7 is a rear view thereof.

The ornamental design which is claimed is shown in solid lines in the drawings. Any broken lines in the drawings are for illustrative purposes only and form no part of the claimed design.

1 Claim, 3 Drawing Sheets

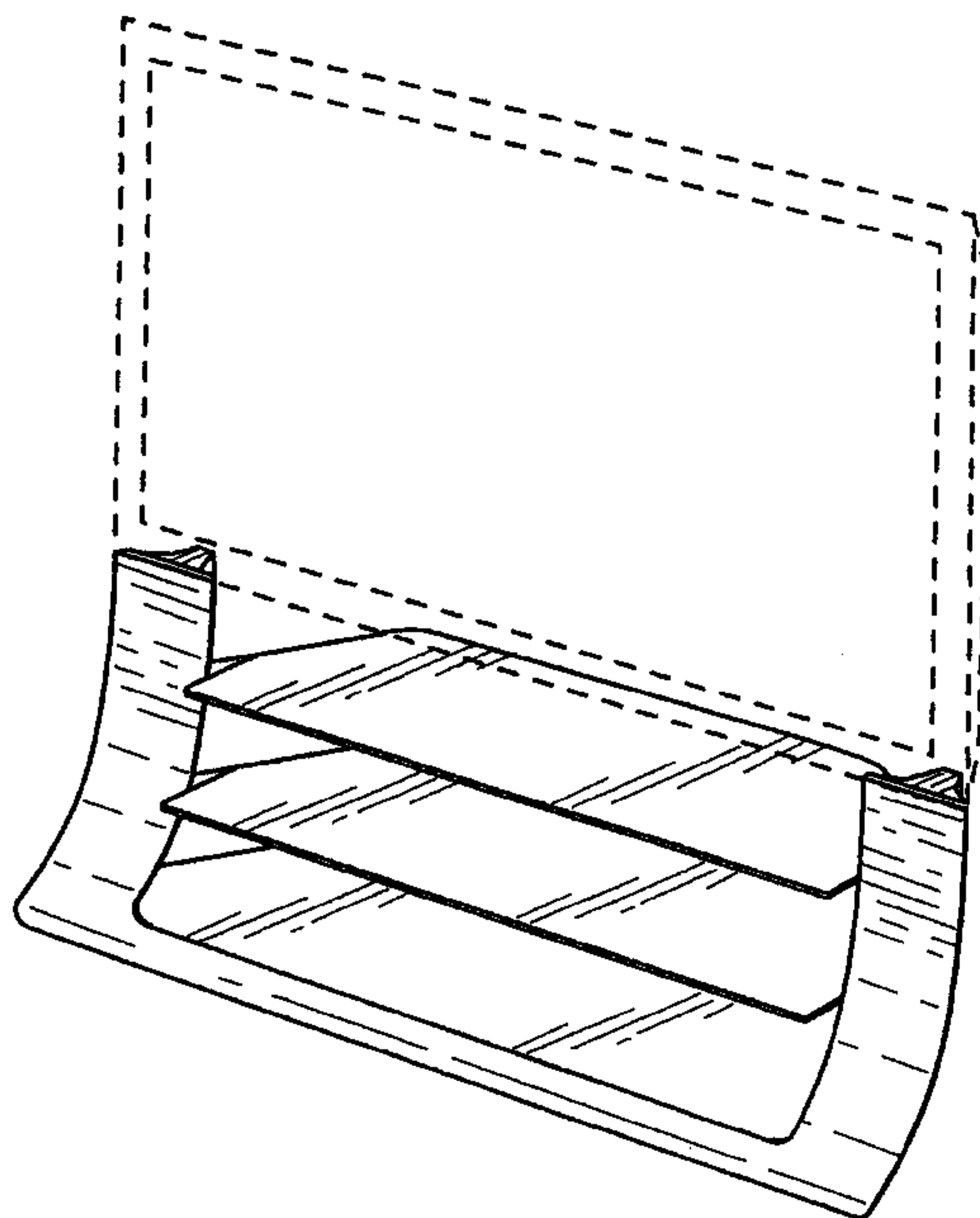


FIG.1

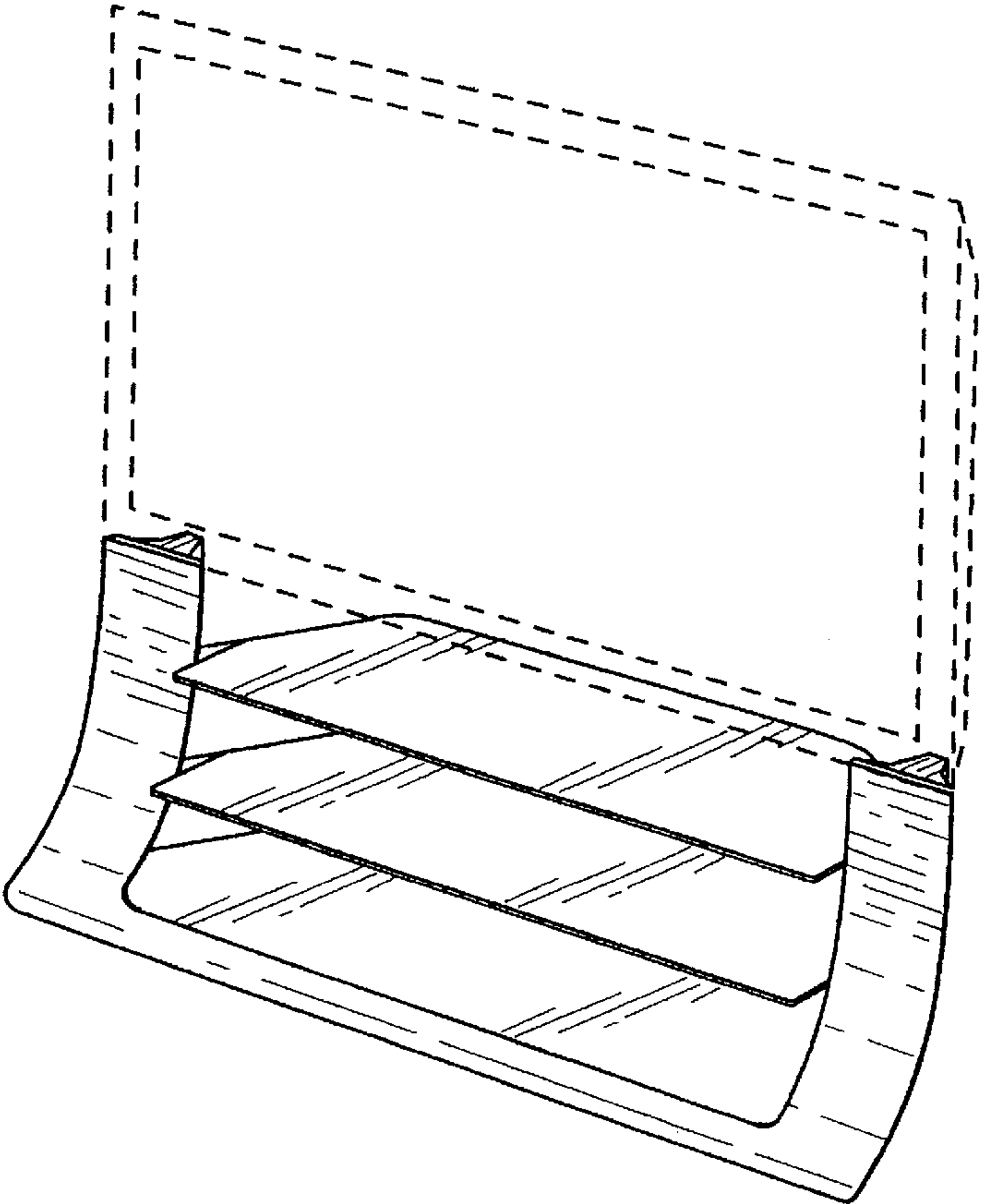


FIG.2

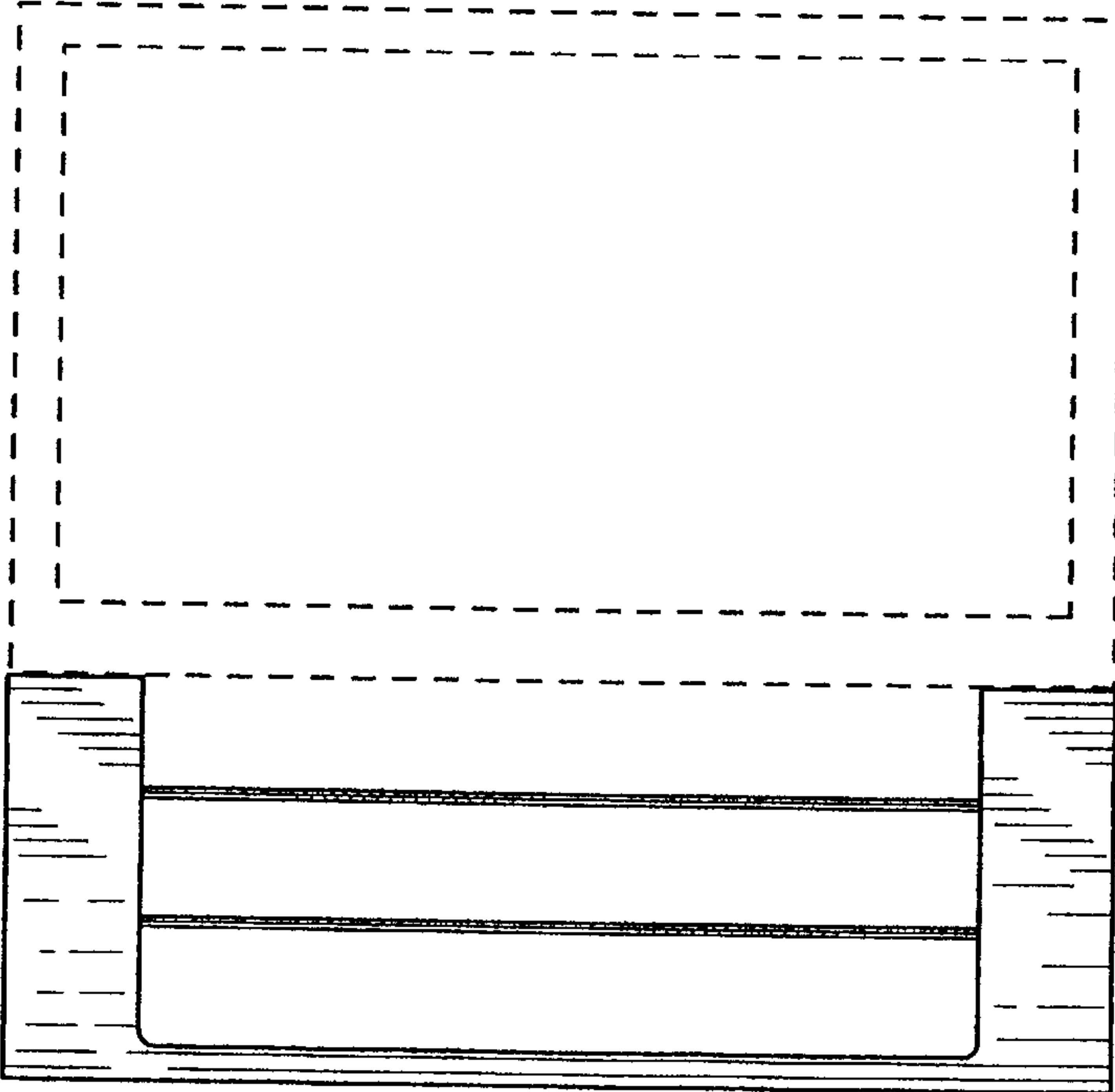


FIG.3

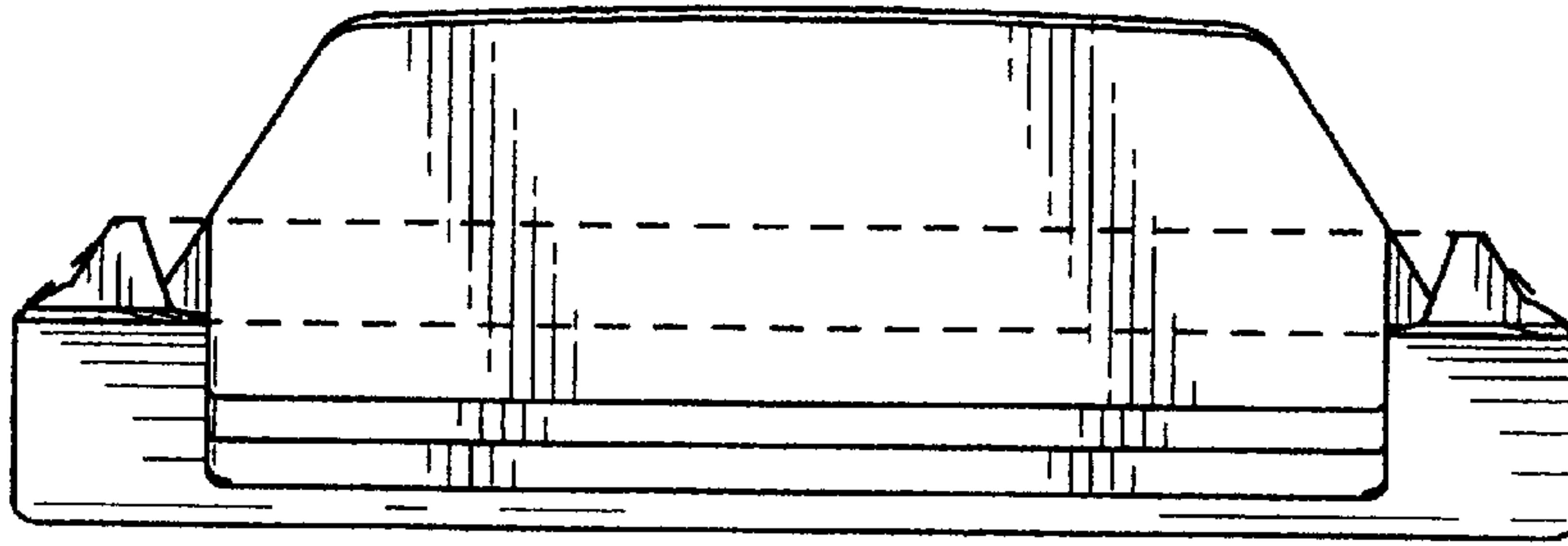


FIG.4

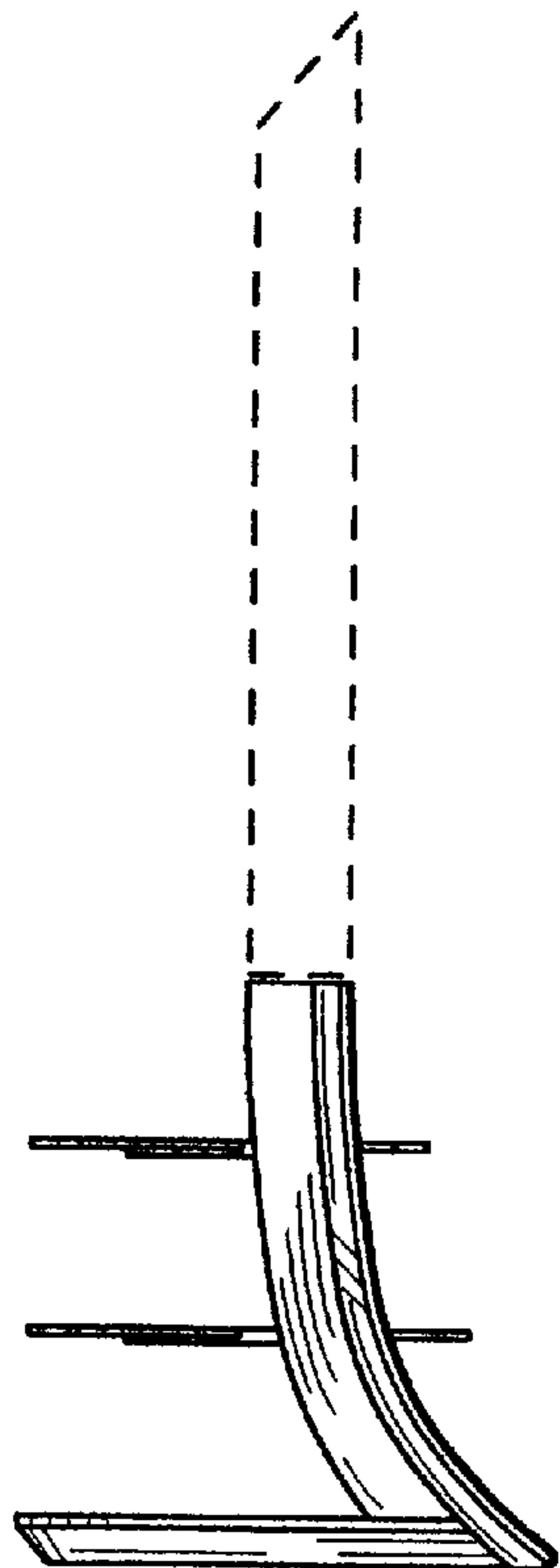


FIG.5

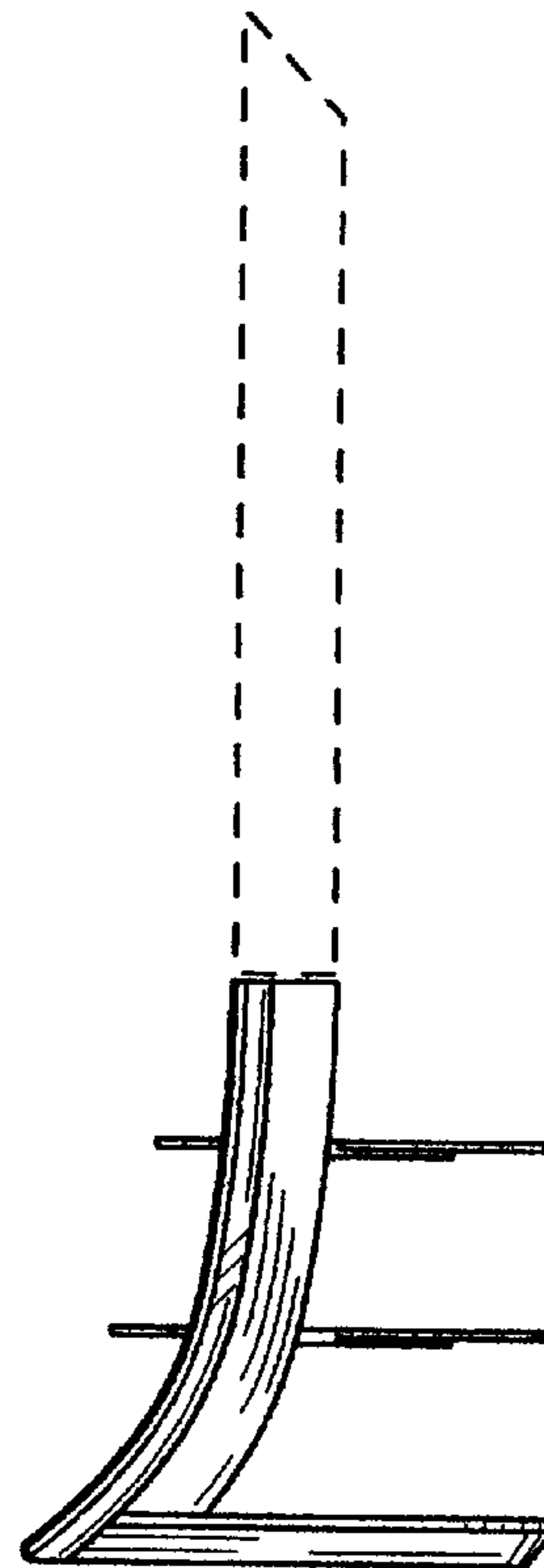


FIG.6

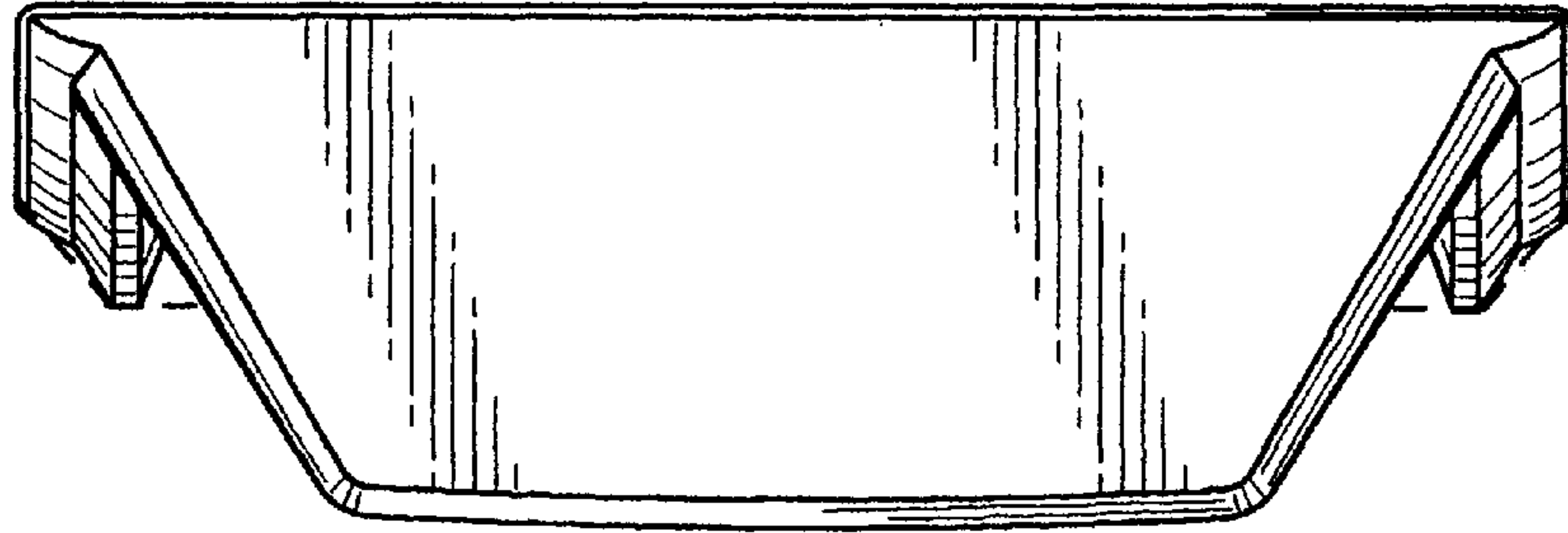


FIG.7

