



US00D537654S

(12) **United States Design Patent**
Chang

(10) **Patent No.:** **US D537,654 S**
(45) **Date of Patent:** **** Mar. 6, 2007**

(54) **STAND-UP COLORED MARTIAL ART RANK BELTS RACK**

(76) Inventor: **Kuo Chi Chang**, No. 8, Lane 184,
Sung Chiang Rd., Taipei (TW)

(**) Term: **14 Years**

(21) Appl. No.: **29/229,311**

(22) Filed: **May 6, 2005**

(51) **LOC (8) Cl.** **06-04**

(52) **U.S. Cl.** **D6/467**

(58) **Field of Classification Search** D6/469,
D6/467, 466, 534, 528, 552, 514, 570, 470;
211/85.1, 85.13, 85.4, 60.1, 62, 69.1, 70.3,
211/70.4, 70.6, 70.7, 70.8, 107, 49.1, 63,
211/75, 87.01, 90.04, 70.1, 89.01; D20/50,
D20/62; D25/50, 62; 108/92

See application file for complete search history.

(56) **References Cited**

U.S. PATENT DOCUMENTS

D84,891 S * 8/1931 Graybill D6/462
2005/0126450 A1 * 6/2005 Mummert 108/92

OTHER PUBLICATIONS

www.karatesupply.com, Item#13009, Solid wood Asian inspired Karate Belt Rack Display, Oct. 15, 2004.*

* cited by examiner

Primary Examiner—Caron D. Veynar
Assistant Examiner—Sydney R. Buffalow

(74) *Attorney, Agent, or Firm*—Troxell Law Office, PLLC

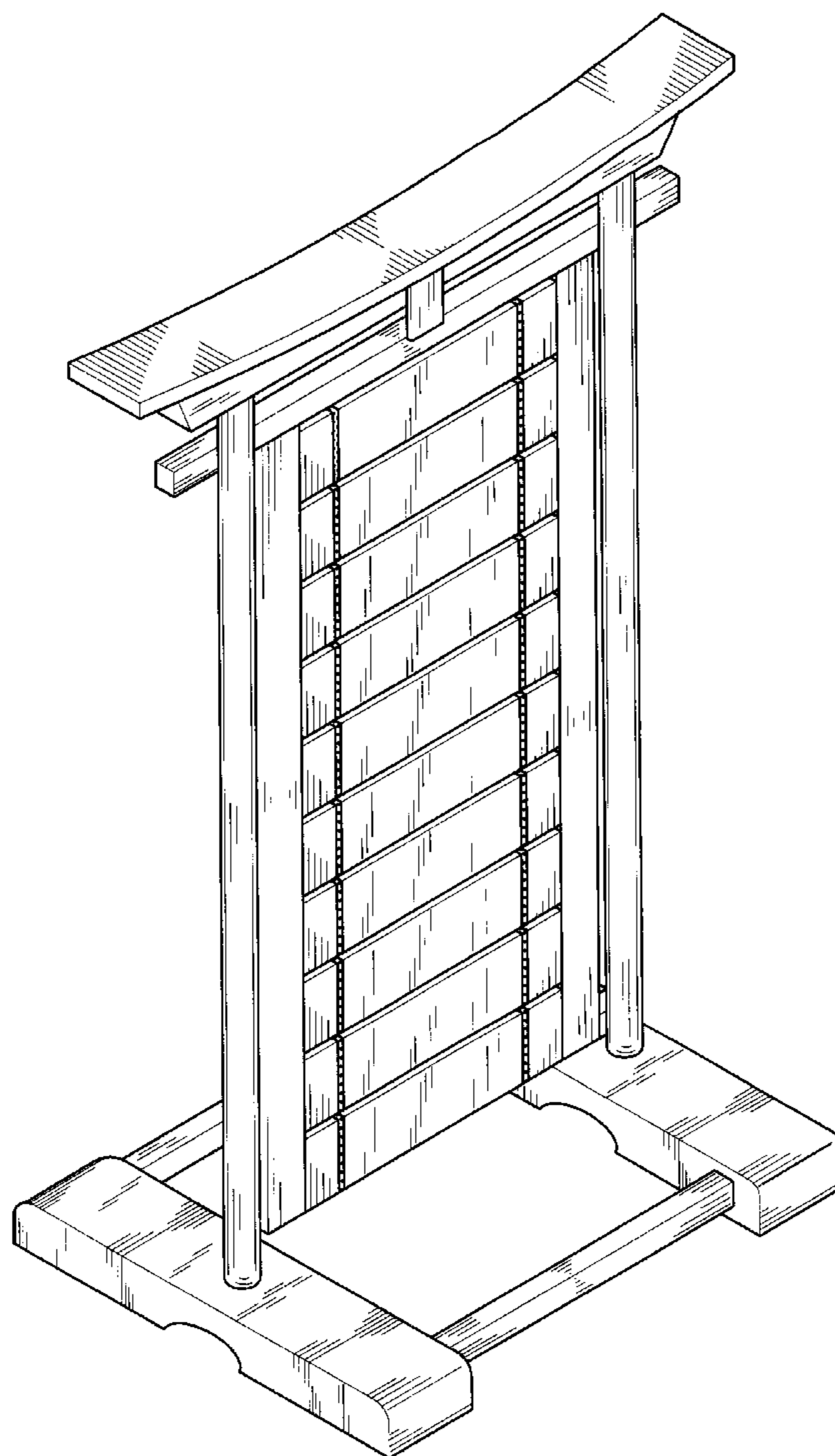
(57) **CLAIM**

The ornamental design for a stand-up colored martial art rank belts rack, as shown.

DESCRIPTION

FIG. 1 is a perspective view of a stand-up colored martial art rank belts rack showing my new design;
FIG. 2 is a front elevational view thereof;
FIG. 3 is a rear elevational view thereof;
FIG. 4 is a left side elevational view thereof;
FIG. 5 is a right side elevational view thereof;
FIG. 6 is a top plan view thereof; and,
FIG. 7 is a bottom plan view thereof.

1 Claim, 5 Drawing Sheets



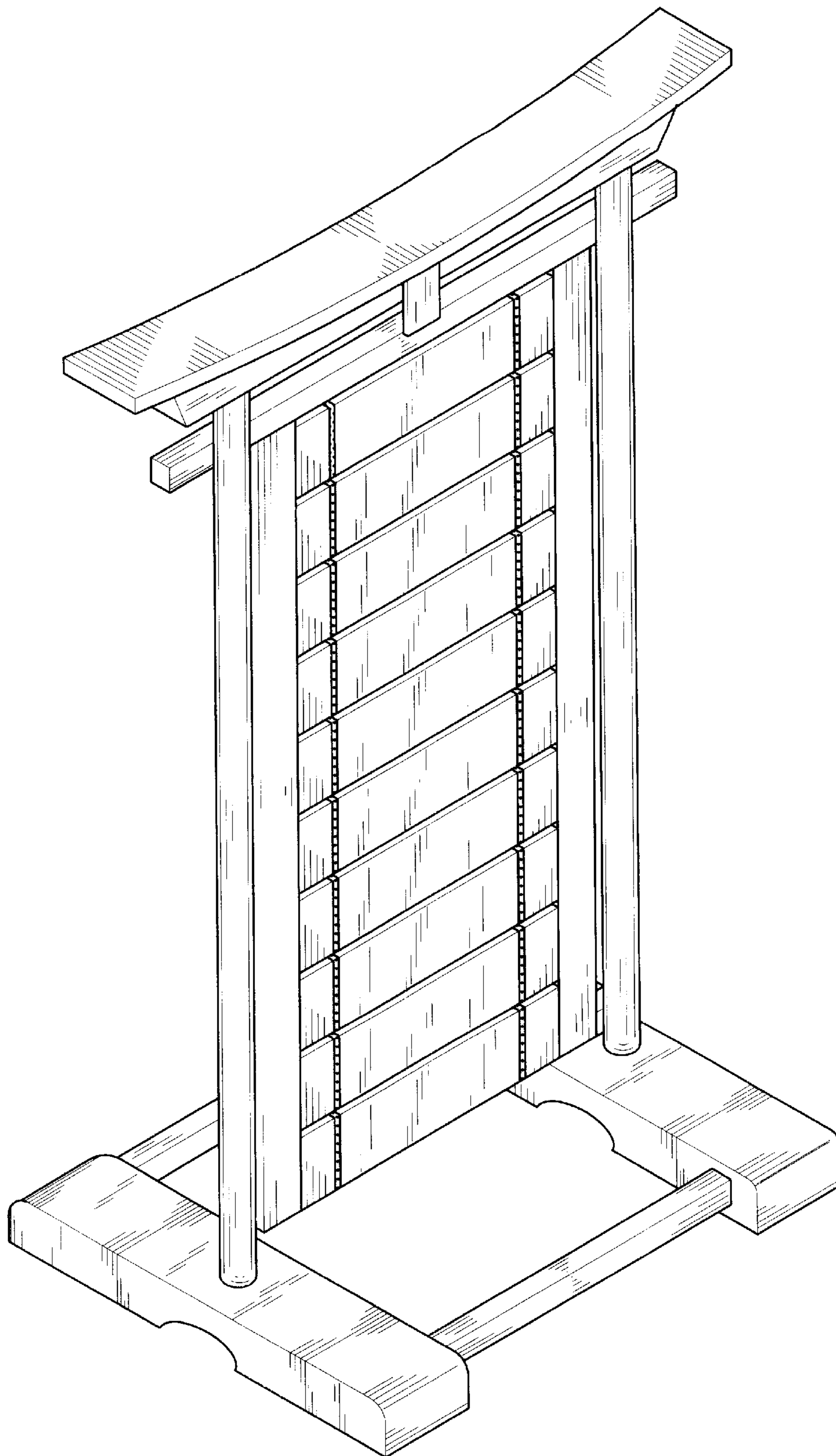


FIG 1

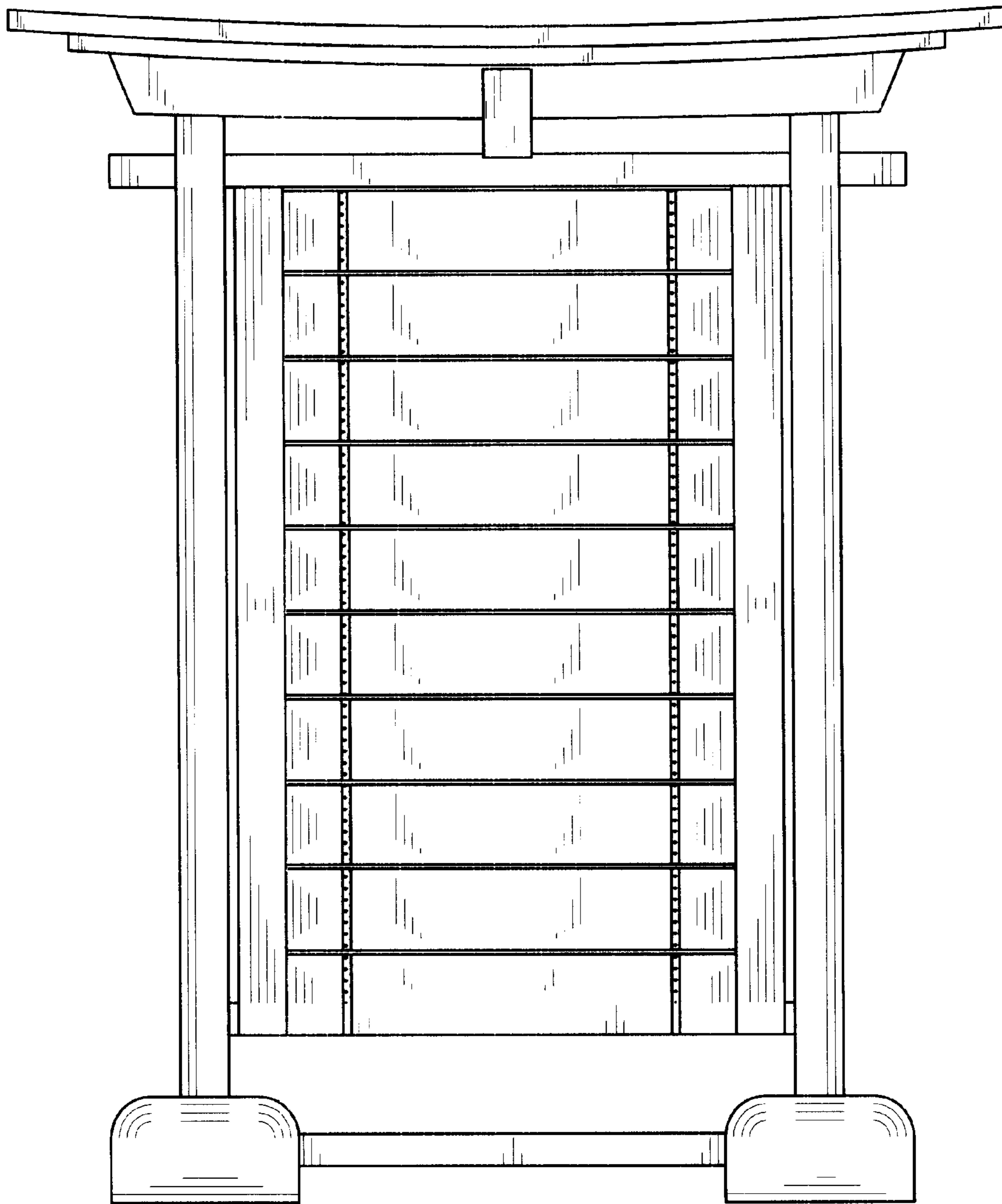


FIG 2

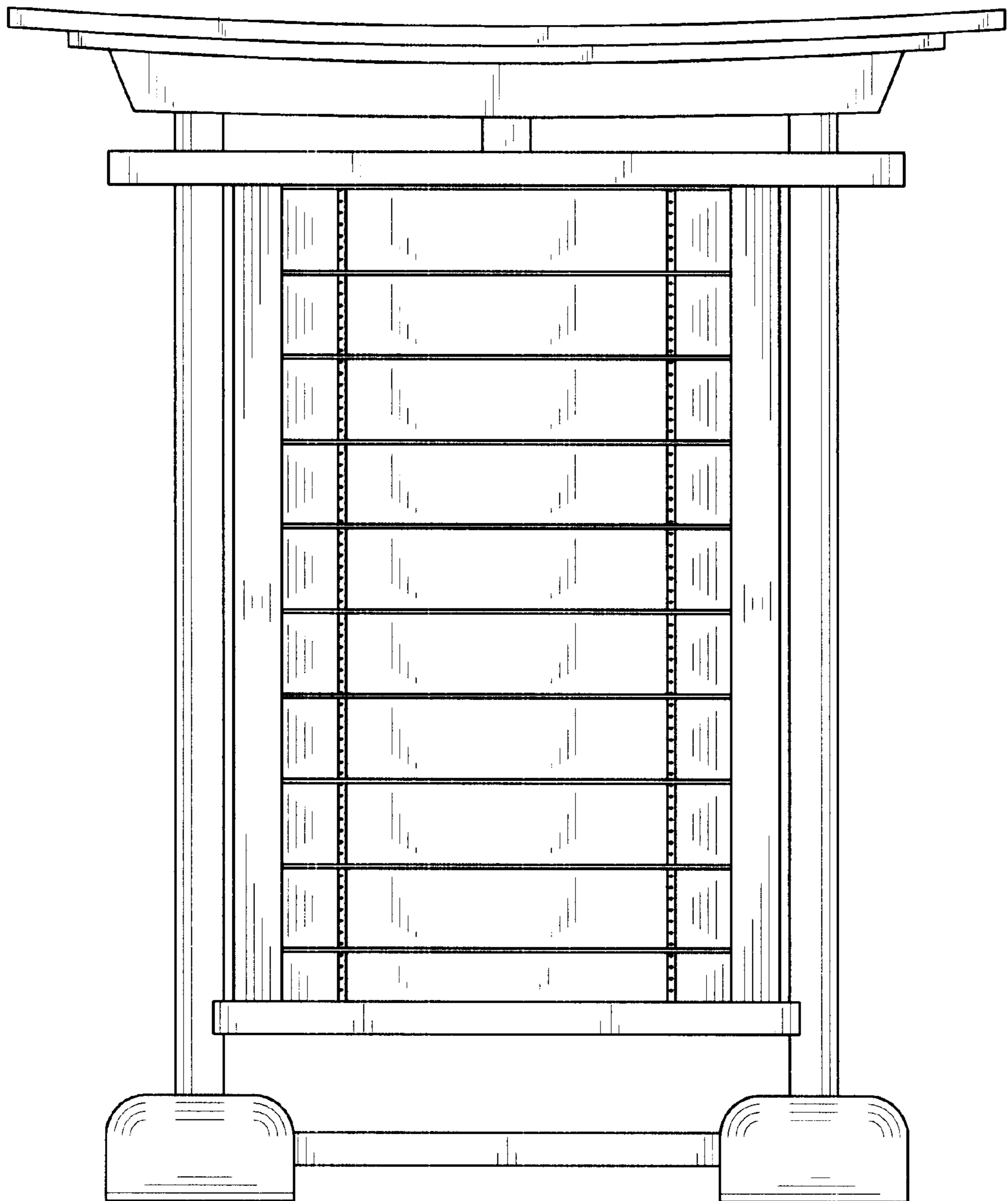


FIG 3

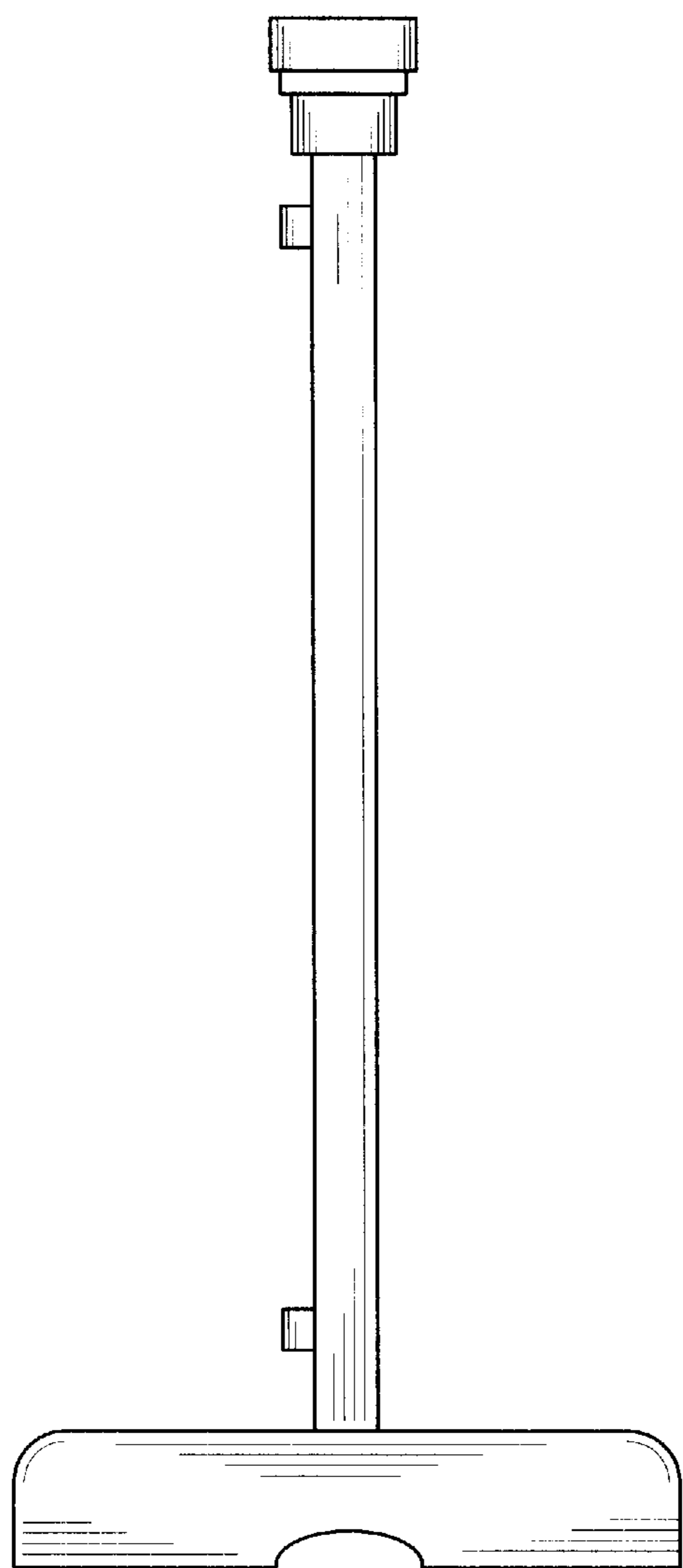


FIG 4

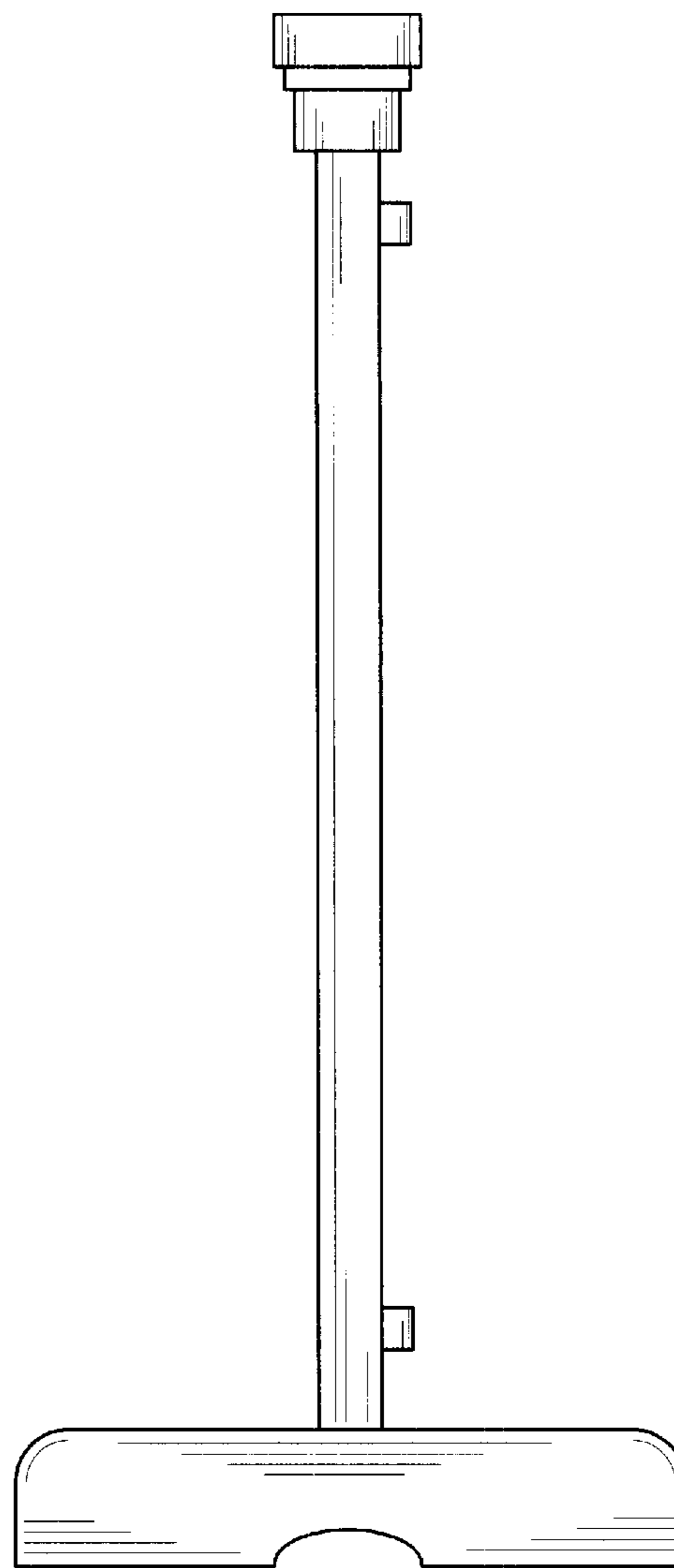


FIG 5

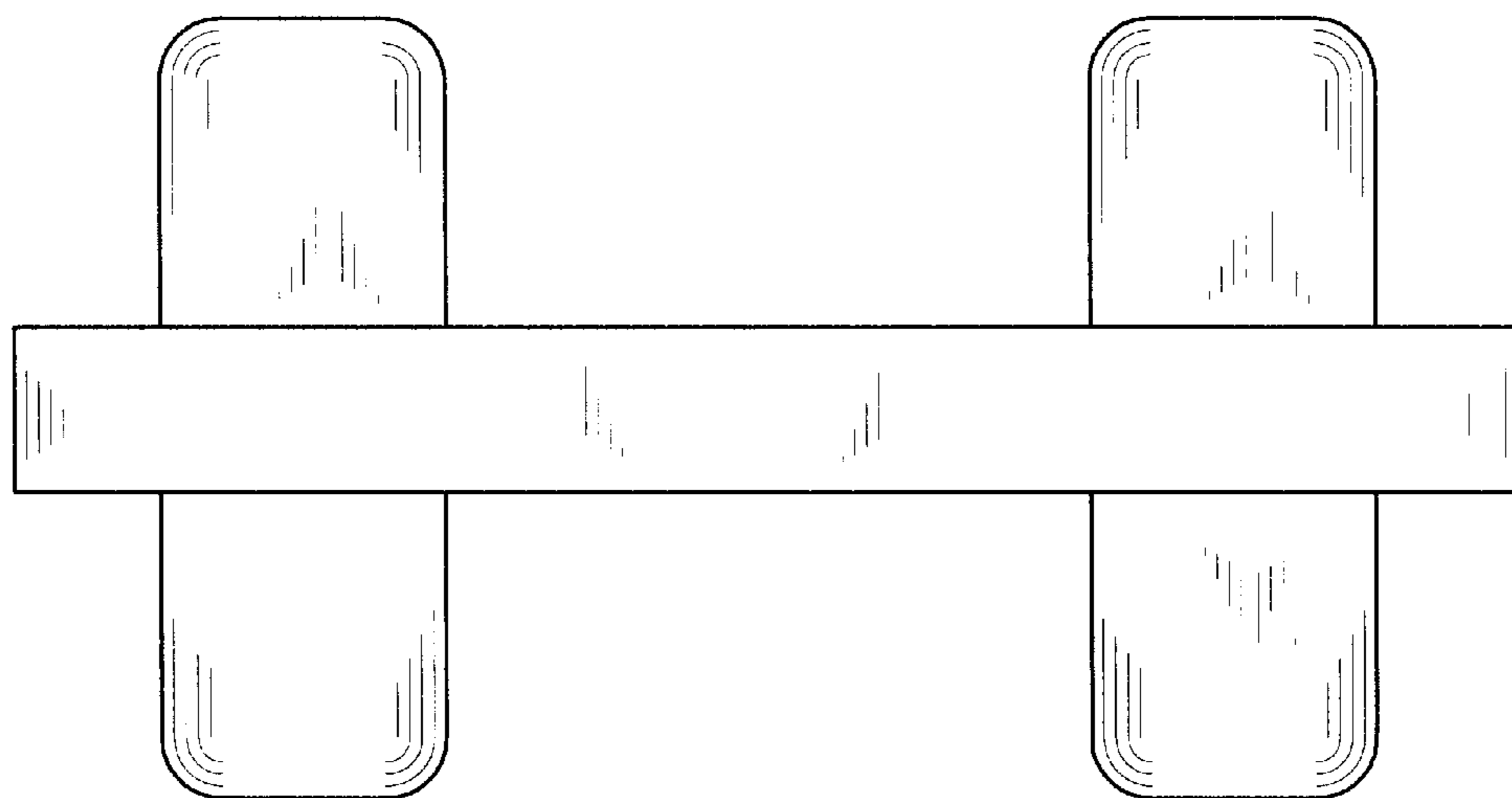


FIG 6

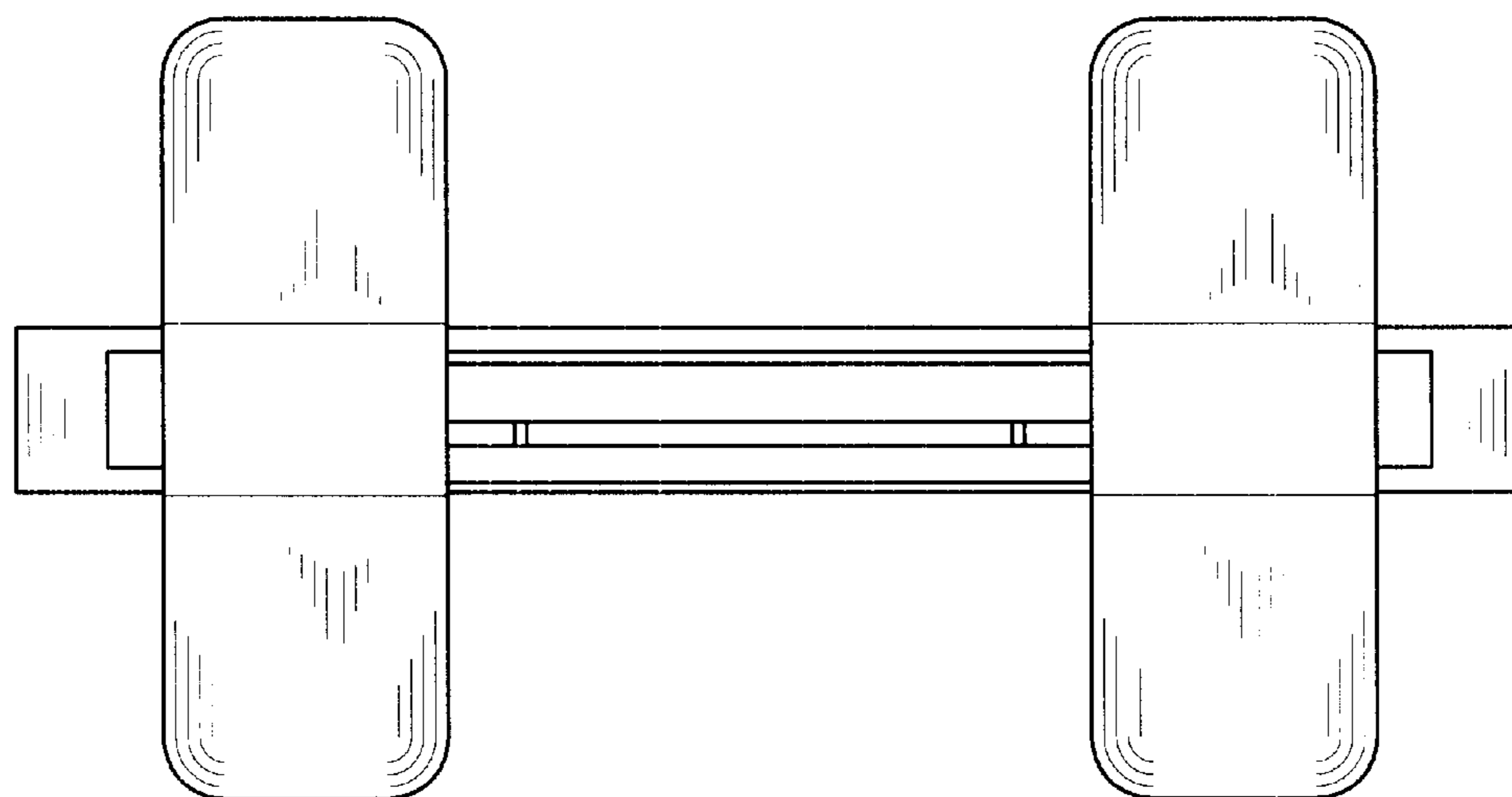


FIG 7