



US00D537645S

(12) **United States Design Patent** (10) **Patent No.:** **US D537,645 S**
Murata et al. (45) **Date of Patent:** **** Mar. 6, 2007**

(54) **MESSAGE CHAIR**

(75) Inventors: **Chiaki Murata**, Toyonaka (JP);
Makoto Ise, Toyonaka (JP); **Hideyuki Yamada**, Toyonaka (JP)

(73) Assignee: **Family Co., Ltd.**, Osaka (JP)

(**) Term: **14 Years**

(21) Appl. No.: **29/252,662**

(22) Filed: **Jan. 24, 2006**

(30) **Foreign Application Priority Data**

Jul. 25, 2005 (JP) 2005-021581
Jul. 25, 2005 (JP) 2005-021582
Jul. 25, 2005 (JP) 2005-021583

(51) **LOC (8) Cl.** **06-01**

(52) **U.S. Cl.** **D6/367**

(58) **Field of Classification Search** D6/334–336,
D6/360, 361, 367, 371, 373, 379, 492, 500–502;
297/68, 271.1, 271.2, 271.3, 411.45, 423.19,
297/423.3, 353, 354.1, 217.3, 440.1; 601/49,
601/57–59, 97–99, 102, 115, 116, 148, 149;
D14/412, 416; 74/491; 273/448; 345/161
See application file for complete search history.

(56) **References Cited**

U.S. PATENT DOCUMENTS

D279,486 S * 7/1985 Maloney D14/416
D284,593 S * 7/1986 Happ D14/416
D371,773 S * 7/1996 Sanchez et al. D14/412
D372,800 S * 8/1996 Yamasaki D6/367
D372,801 S * 8/1996 Fujimoto et al. D6/367
D372,802 S * 8/1996 Fujimoto et al. D6/367
5,792,082 A * 8/1998 Yamanaka et al. 601/148
D418,990 S * 1/2000 Oguri et al. D6/367
D471,372 S * 3/2003 Inada et al. D6/367
D491,375 S * 6/2004 Yuyama D6/335
D502,607 S * 3/2005 Miyake et al. D6/335
D502,817 S * 3/2005 Inada et al. D6/367
D503,048 S * 3/2005 Inada et al. D6/367
D517,337 S * 3/2006 Mori D6/367

D517,338 S * 3/2006 Inada et al. D6/367
2003/0020689 A1 * 1/2003 Krog 345/161
2004/0217943 A1 * 11/2004 Kim 345/161
2005/0033204 A1 * 2/2005 Nakamura et al. 601/98
2005/0088028 A1 * 4/2005 Wan et al. 297/440.1
2005/0146176 A1 * 7/2005 Yoda et al. 297/217.1
2005/0168021 A1 * 8/2005 Real et al. 297/217.3
2005/0259075 A1 * 11/2005 Ishikawa et al. 345/161
2006/0142676 A1 * 6/2006 Fujii et al. 601/98

* cited by examiner

Primary Examiner—Mimosa De

(74) *Attorney, Agent, or Firm*—Alleman Hall McCoy
Russell & Tuttle LLP

(57) **CLAIM**

The ornamental design for a massage chair, as shown and described.

DESCRIPTION

FIG. 1 is a left side view showing a massage chair according to a first embodiment of the present invention. The right side view is a mirror of the left side view.

FIG. 2 is a top view of the massage chair of FIG. 1.

FIG. 3 is a bottom view of the massage chair of FIG. 1.

FIG. 4 is a rear view of the massage chair of FIG. 1.

FIG. 5 is a front view of the massage chair of FIG. 1.

FIG. 6 is a left side view of the massage chair of FIG. 1, shown with airbags inflated. The right side view is a mirror of the left side view in this configuration.

FIG. 7 is a top view of the massage chair of FIG. 1, shown with airbags inflated.

FIG. 8 is a front view of the massage chair of FIG. 1, shown with airbags inflated.

FIG. 9 is a left side view of the massage chair of FIG. 1, shown with a backrest portion reclined and a footrest portion raised. The right side view is a mirror image of the left side view in this configuration.

FIG. 10 is a top view of the massage chair of FIG. 1, shown with a backrest portion reclined and a footrest portion raised.

FIG. 11 is a bottom view of the massage chair of FIG. 1, shown with a backrest portion reclined and a footrest portion raised.

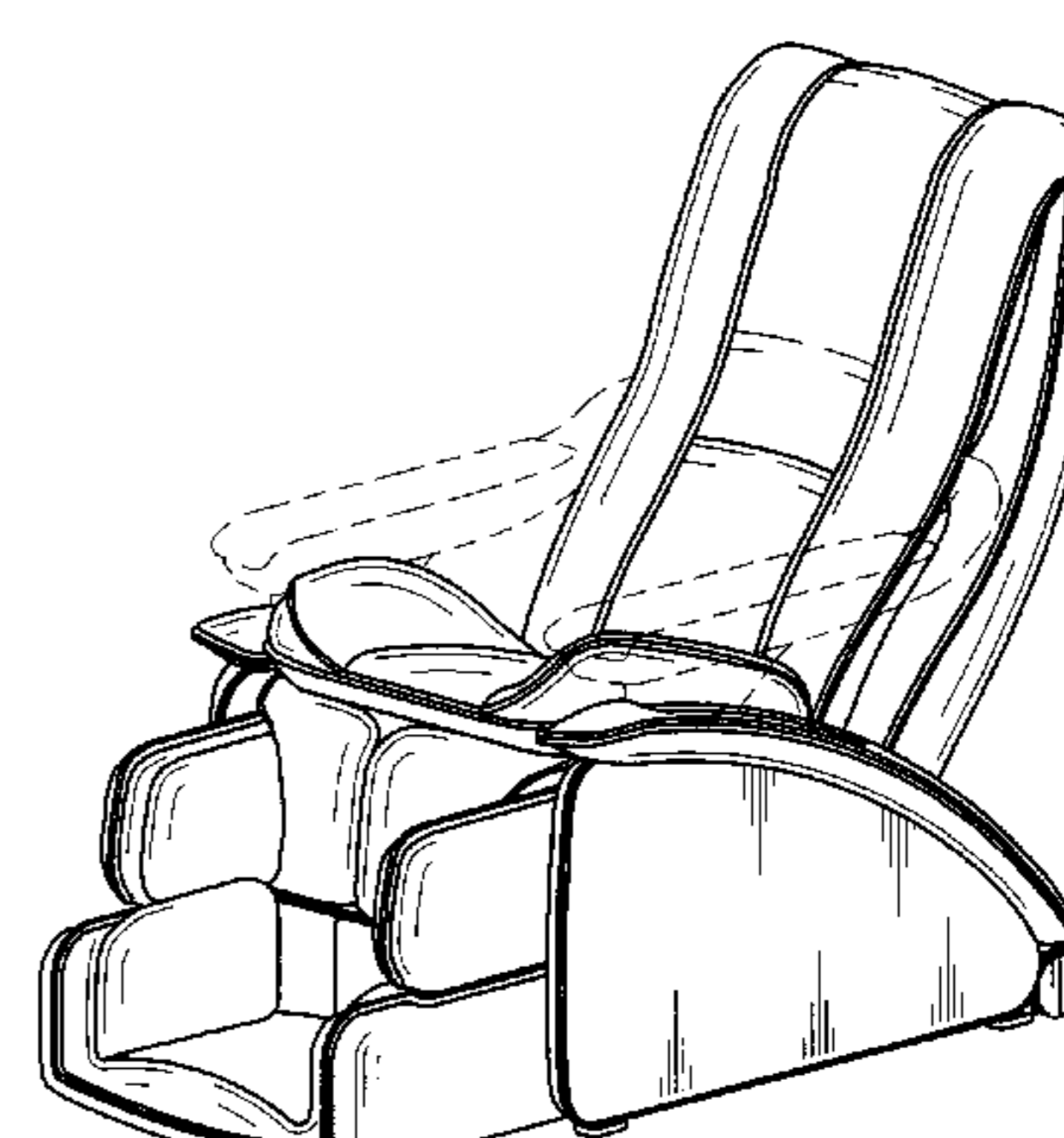
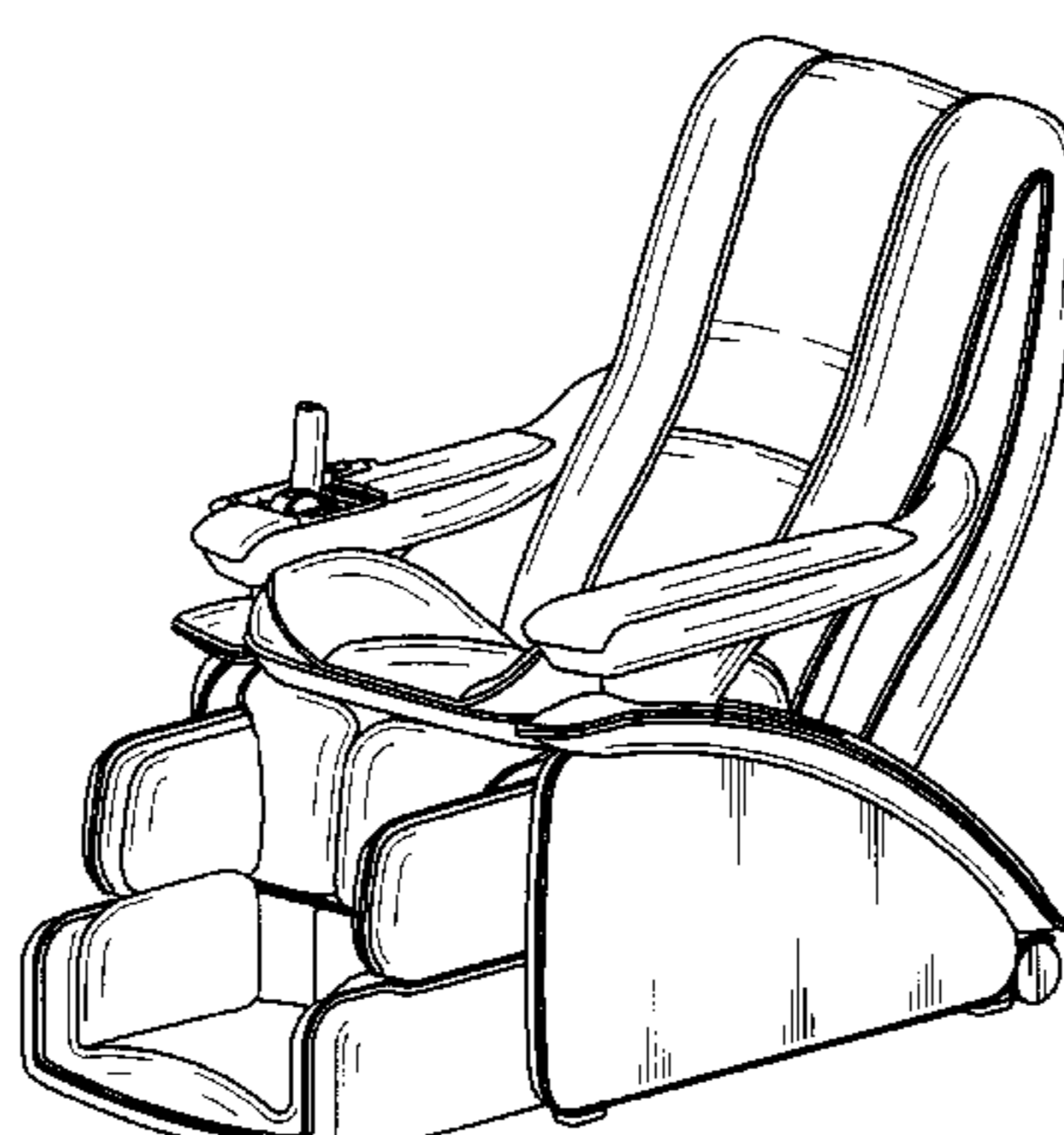
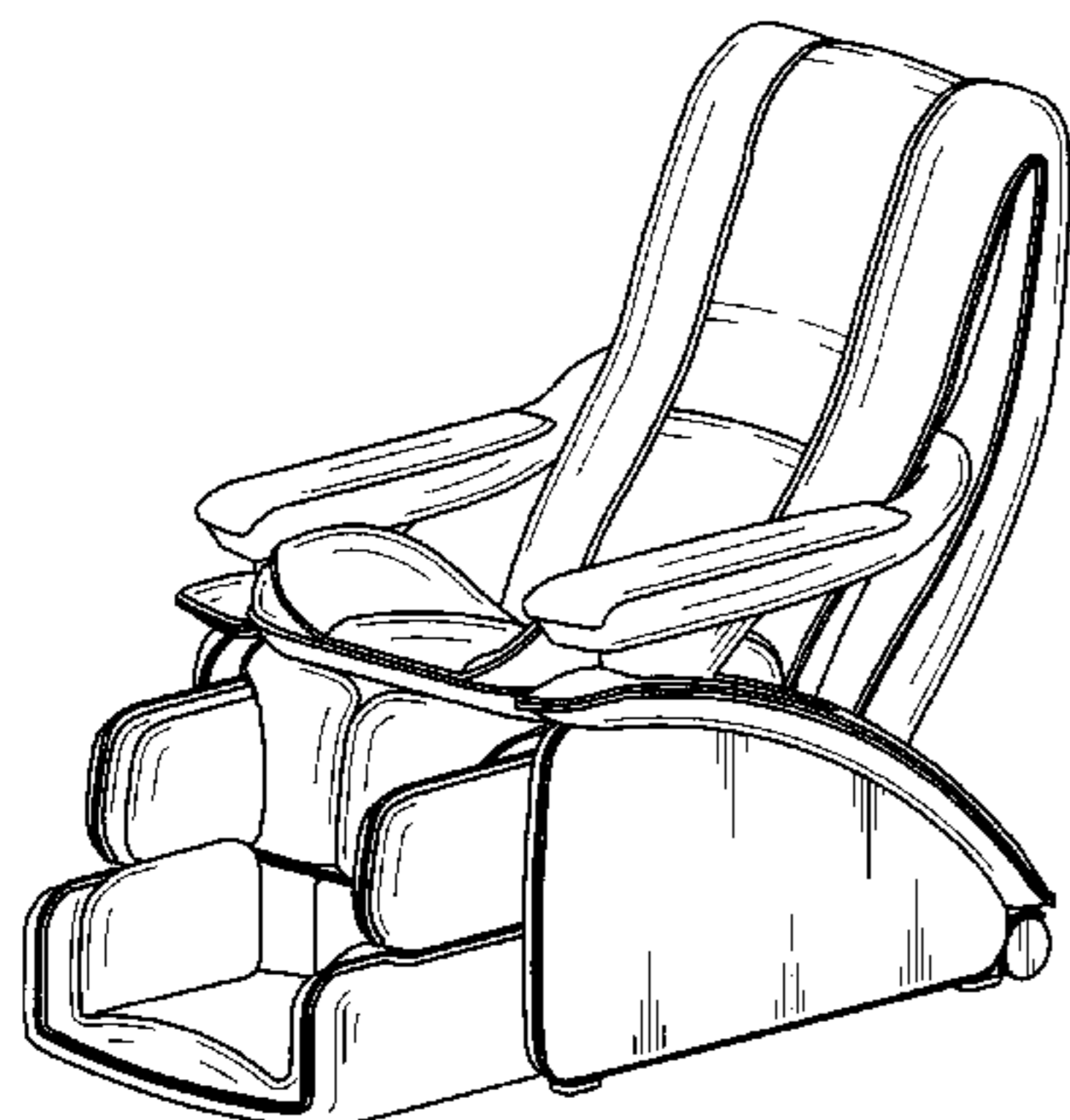


FIG. 12 is a rear view of the massage chair of FIG. 1, shown with a backrest portion reclined and a footrest portion raised. FIG. 13 is a front view of the massage chair of FIG. 1, shown with a backrest portion reclined and a footrest portion raised. FIG. 14 is a perspective view of the massage chair of FIG. 1.

FIG. 15 is a left side view showing a massage chair according to a second embodiment of the present invention, which features a retractable control stick.

FIG. 16 is a right side view of the massage chair of FIG. 15.

FIG. 17 is a top view of the massage chair of FIG. 15.

FIG. 18 is a bottom view of the massage chair of FIG. 15.

FIG. 19 is a rear view of the massage chair of FIG. 15.

FIG. 20 is a front view of the massage chair of FIG. 15.

FIG. 21 is a left side view of the massage chair of FIG. 15, shown with airbags inflated.

FIG. 22 is a top view of the massage chair of FIG. 15, shown with airbags inflated.

FIG. 23 is a front view of the massage chair of FIG. 15, shown with airbags inflated.

FIG. 24 is a left side view of the massage chair of FIG. 15, shown with the control stick retracted.

FIG. 25 is a top view of the massage chair of FIG. 15, shown with the control stick retracted.

FIG. 26 is a front view of the massage chair of FIG. 15, shown with the control stick retracted.

FIG. 27 is a left side view of the massage chair of FIG. 15, shown with a backrest portion reclined, a footrest portion raised, and the control stick retracted.

FIG. 28 is a top view of the massage chair of FIG. 15, shown with a backrest portion reclined, a footrest portion raised, and the control stick retracted.

FIG. 29 is a bottom view of the massage chair of FIG. 15, shown with a backrest portion reclined, a footrest portion raised, and the control stick retracted.

FIG. 30 is a rear view of the massage chair of FIG. 15, shown with a backrest portion reclined, a footrest portion raised, and the control stick retracted.

FIG. 31 is a front view of the massage chair of FIG. 15, shown with a backrest portion reclined, a footrest portion raised, and the control stick retracted.

FIG. 32 is a perspective view of the massage chair of FIG. 15.

FIG. 33 is a left side view showing a massage chair according to a third embodiment of the present invention.

FIG. 34 is a top view of the massage chair of FIG. 33.

FIG. 35 is a bottom view of the massage chair of FIG. 33.

FIG. 36 is a rear view of the massage chair of FIG. 33.

FIG. 37 is a front view of the massage chair of FIG. 33.

FIG. 38 is a left side view of the massage chair of FIG. 33, shown with airbags inflated.

FIG. 39 is a top view of the massage chair of FIG. 33, shown with airbags inflated.

FIG. 40 is a front view of the massage chair of FIG. 33, shown with airbags inflated.

FIG. 41 is a left side view of the massage chair of FIG. 33, shown with a backrest portion reclined and a footrest portion raised.

FIG. 42 is a top view of the massage chair of FIG. 33, shown with a backrest portion reclined and a footrest portion raised.

FIG. 43 is a bottom view of the massage chair of FIG. 33, shown with a backrest portion reclined and a footrest portion raised.

FIG. 44 is a rear view of the massage chair of FIG. 33, shown with a backrest portion reclined and a footrest portion raised.

FIG. 45 is a front view of the massage chair of FIG. 33, shown with a backrest portion reclined and a footrest portion raised; and,

FIG. 46 is a perspective view of the massage chair of FIG. 33.

1 Claim, 23 Drawing Sheets

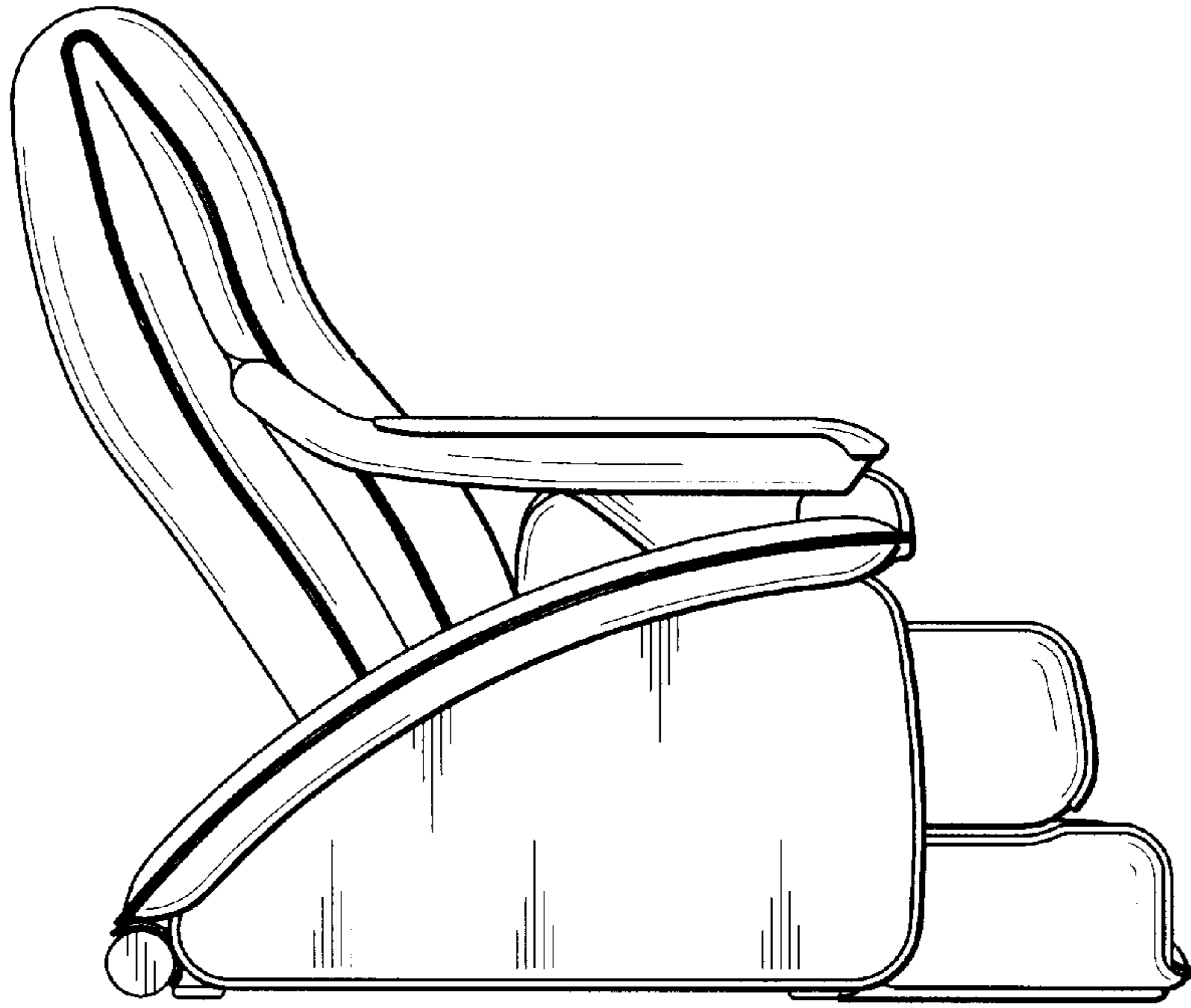


FIG. 1

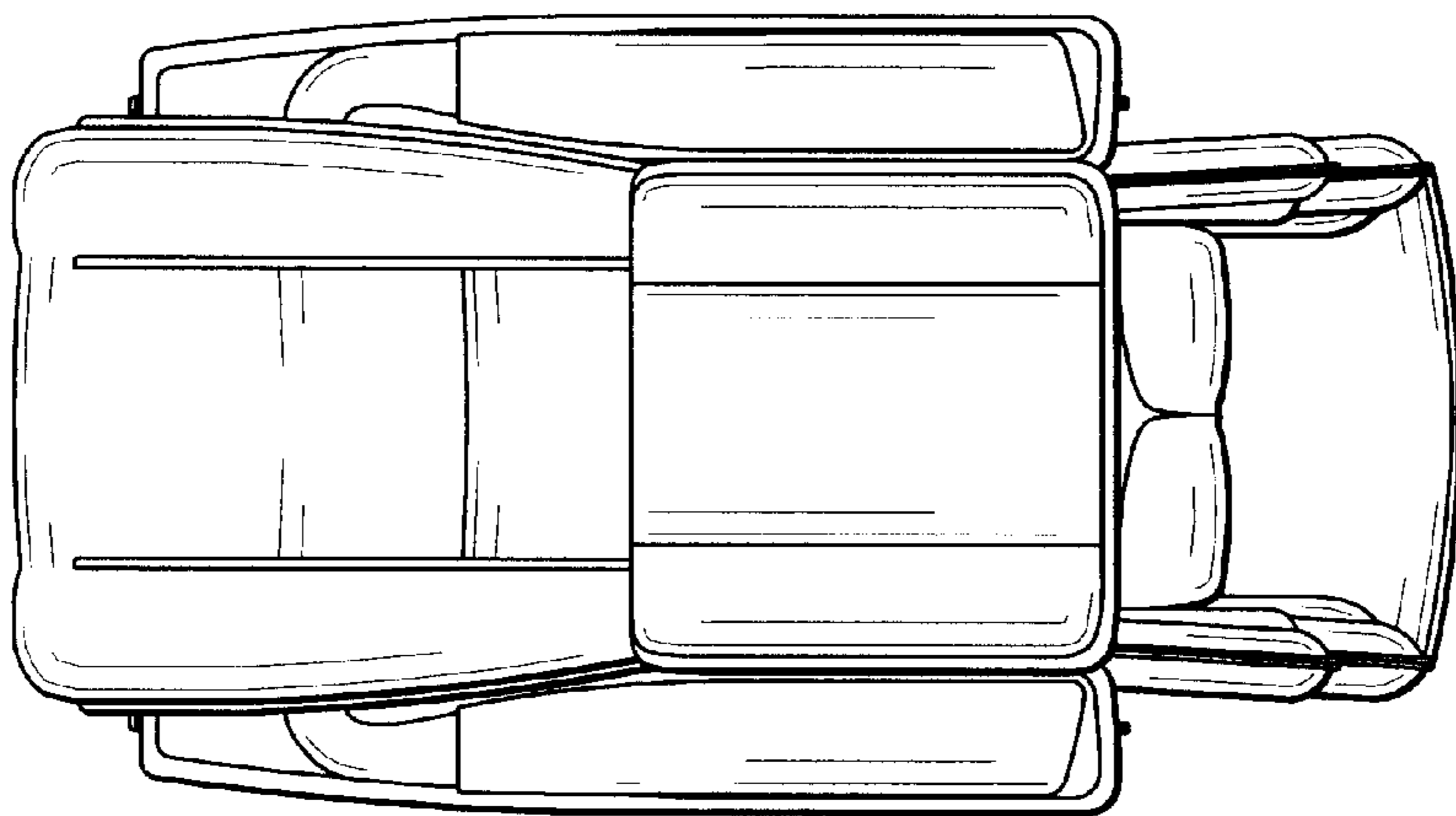


FIG. 2

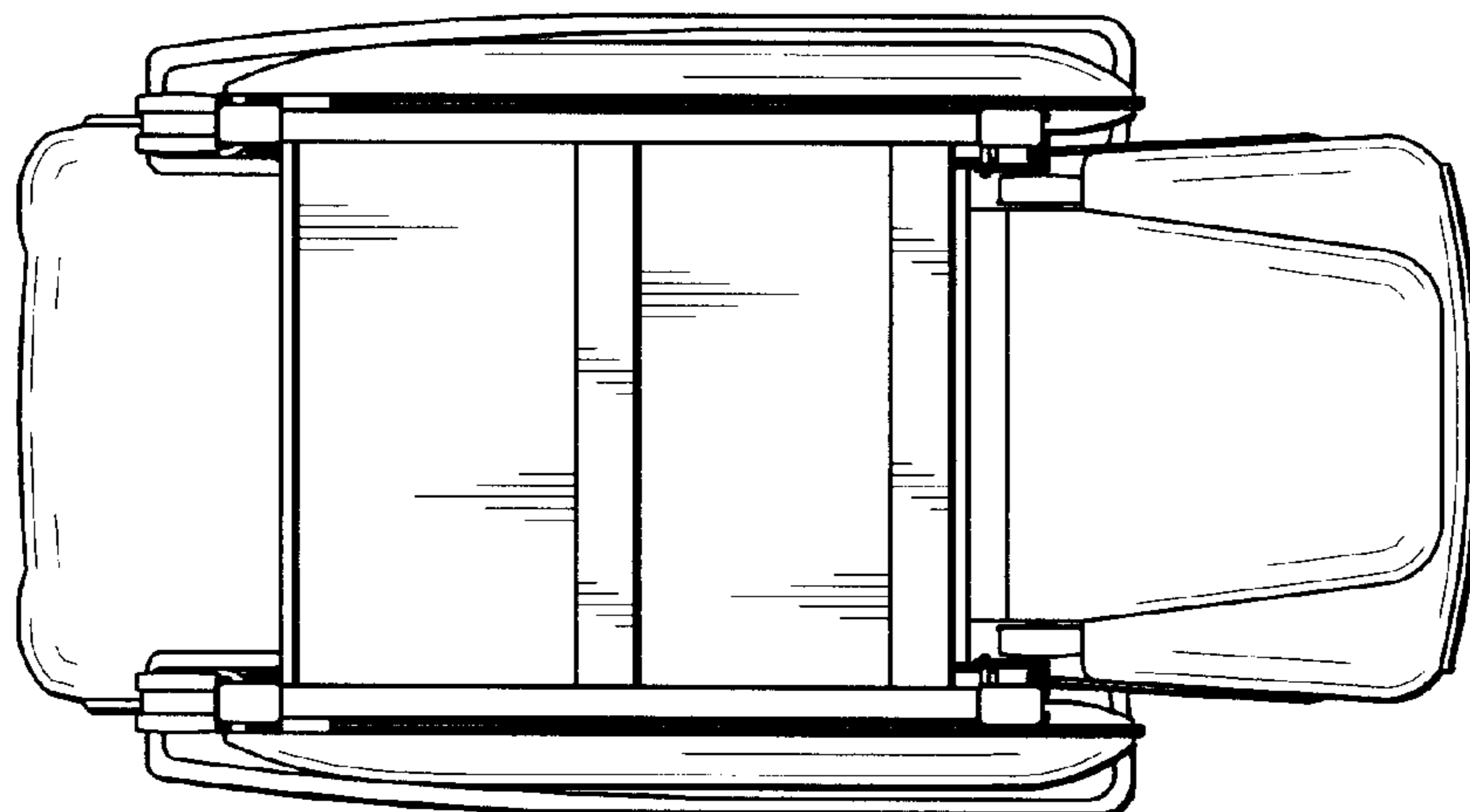


FIG. 3

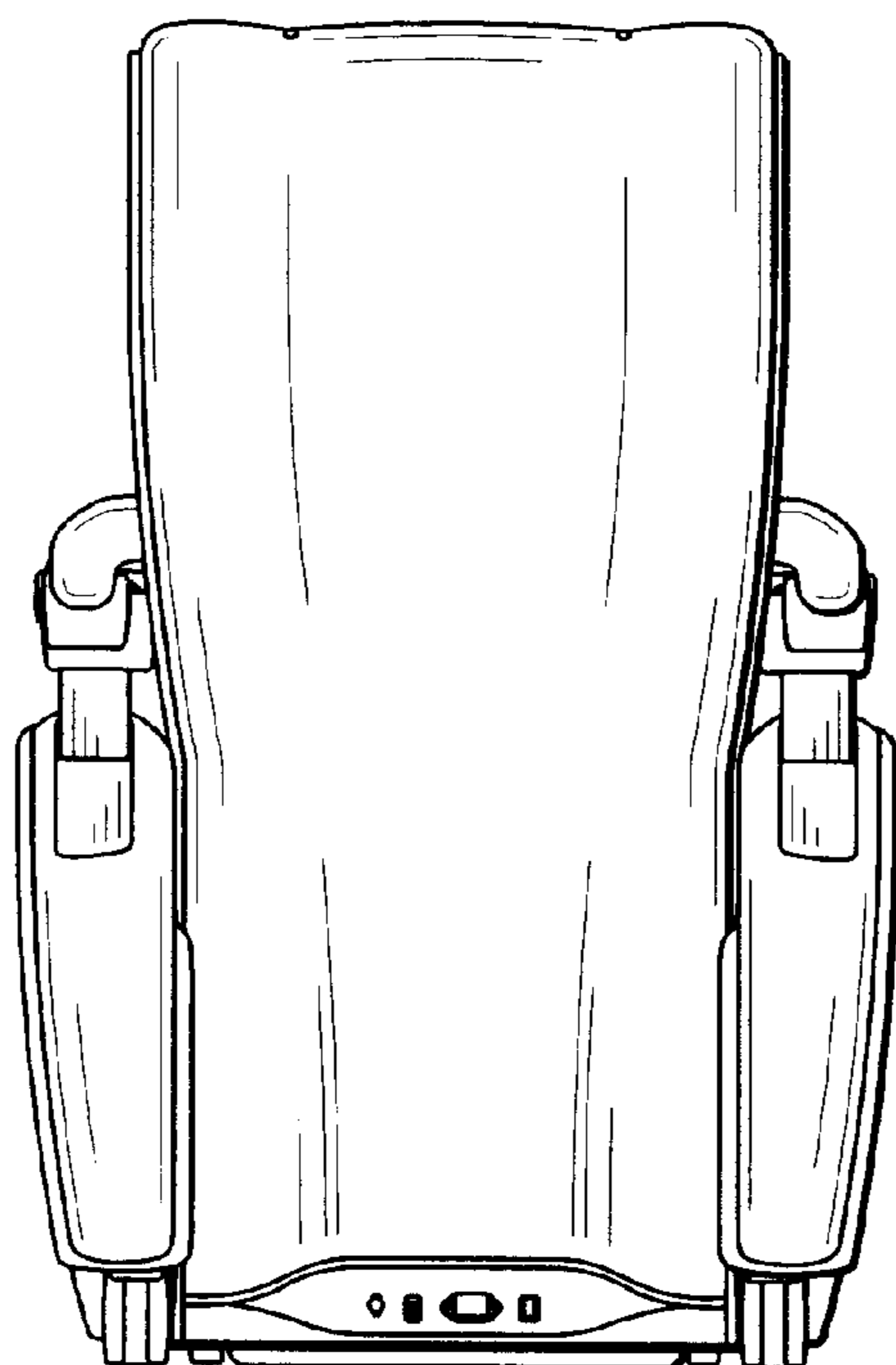


FIG. 4

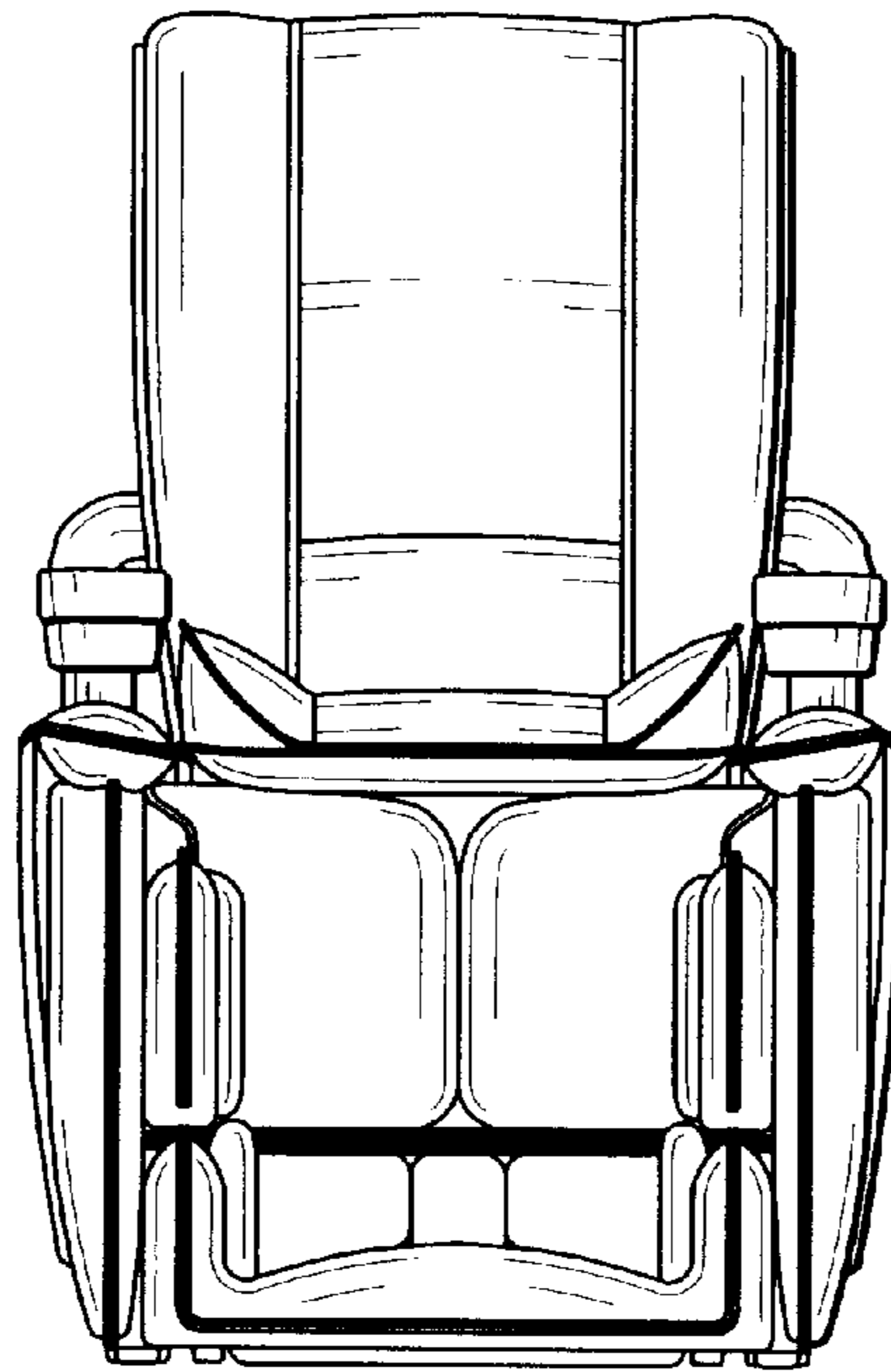


FIG. 5

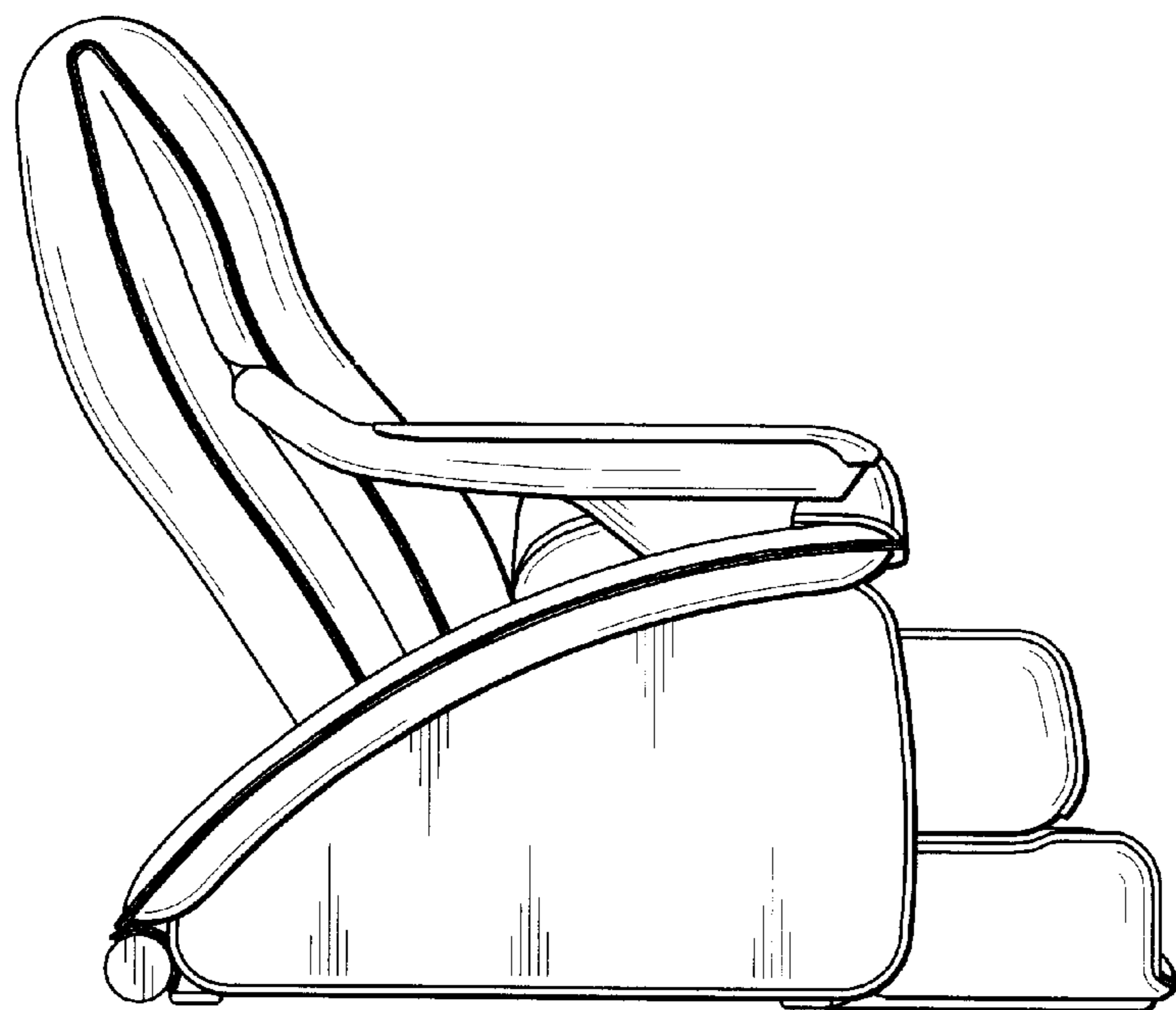


FIG. 6

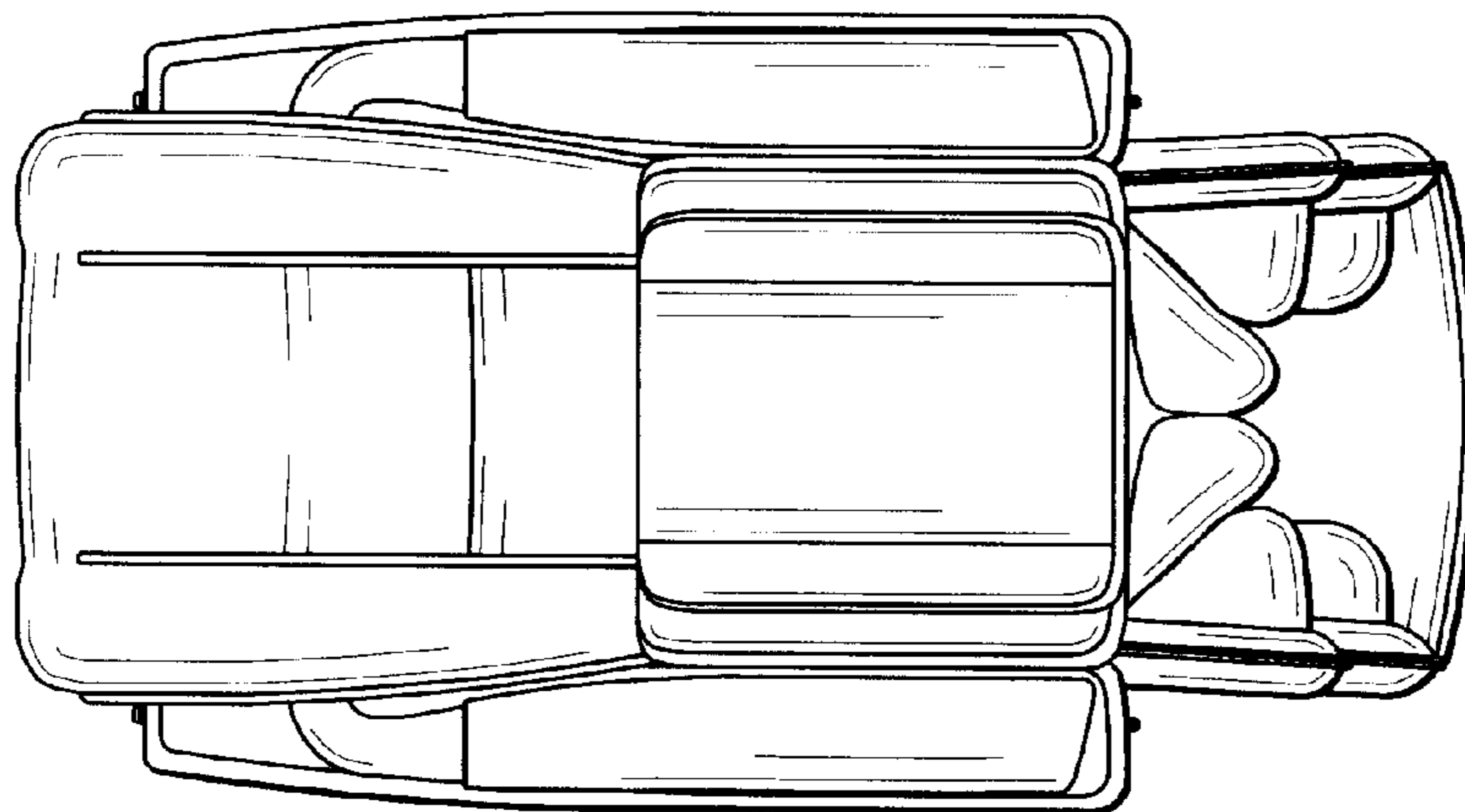


FIG. 7

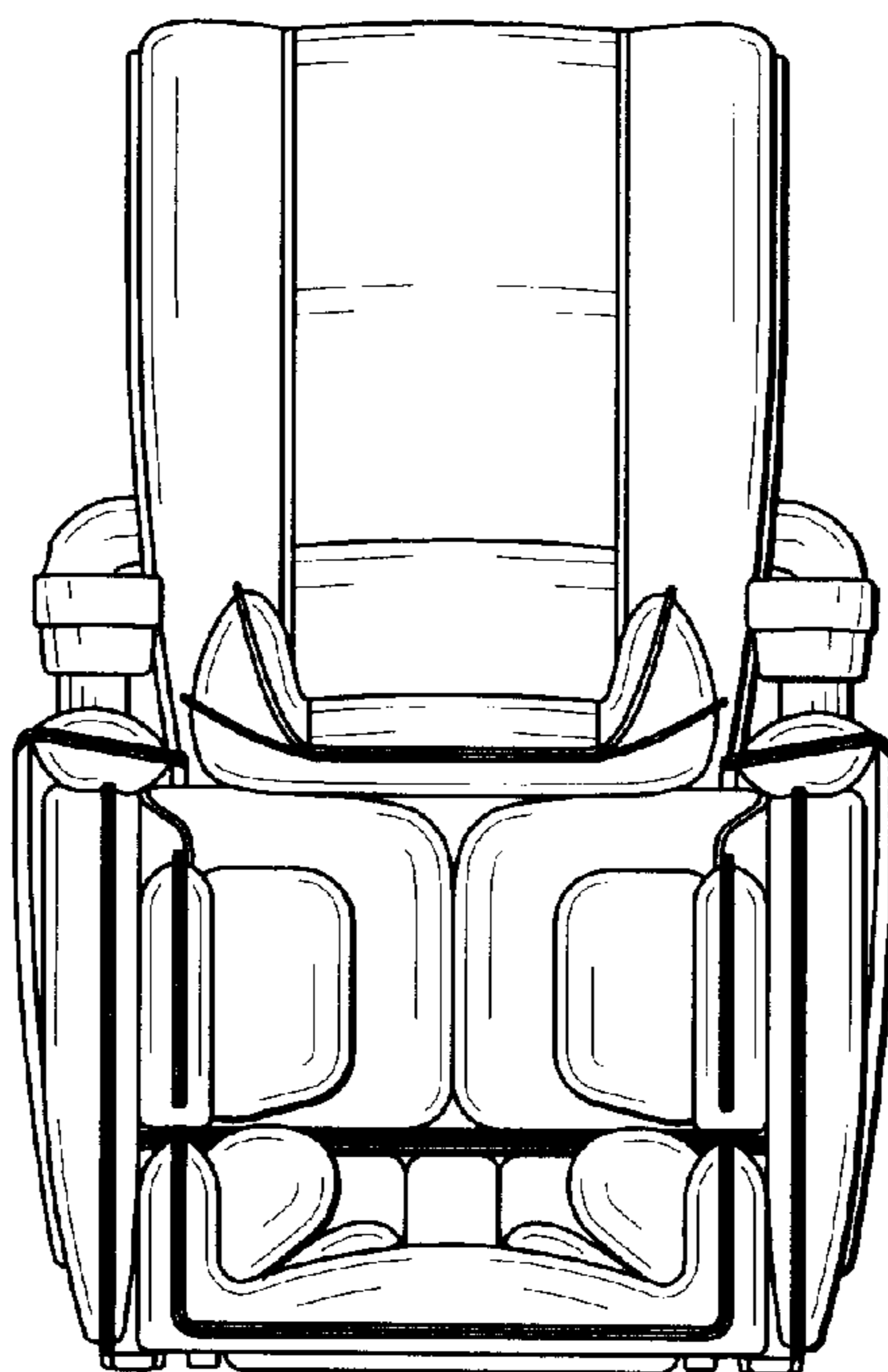


FIG. 8

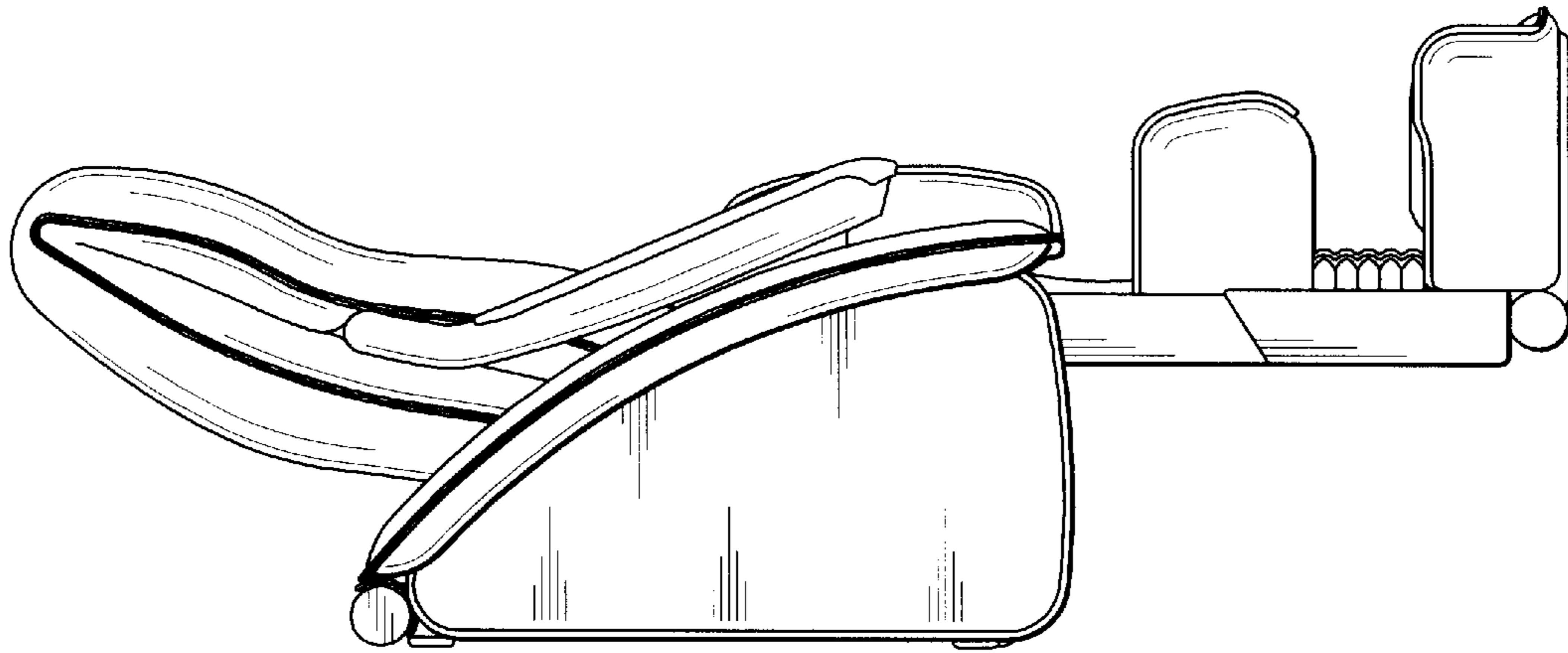


FIG. 9

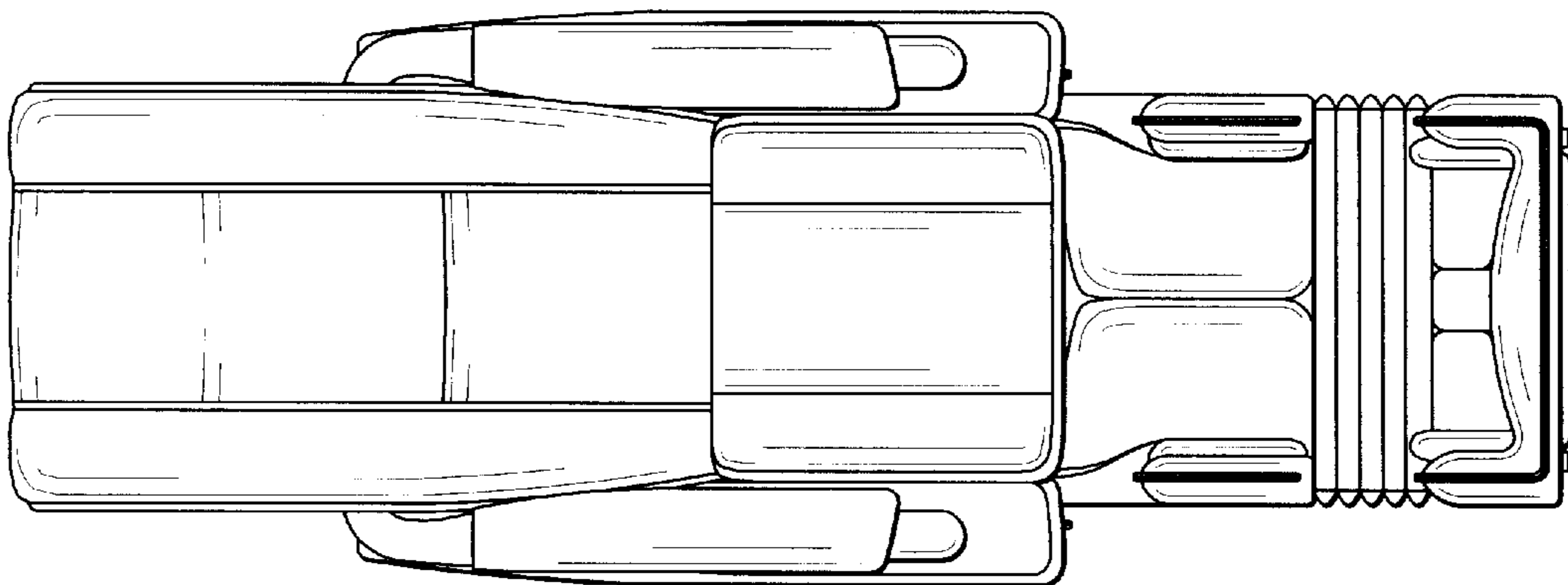


FIG. 10

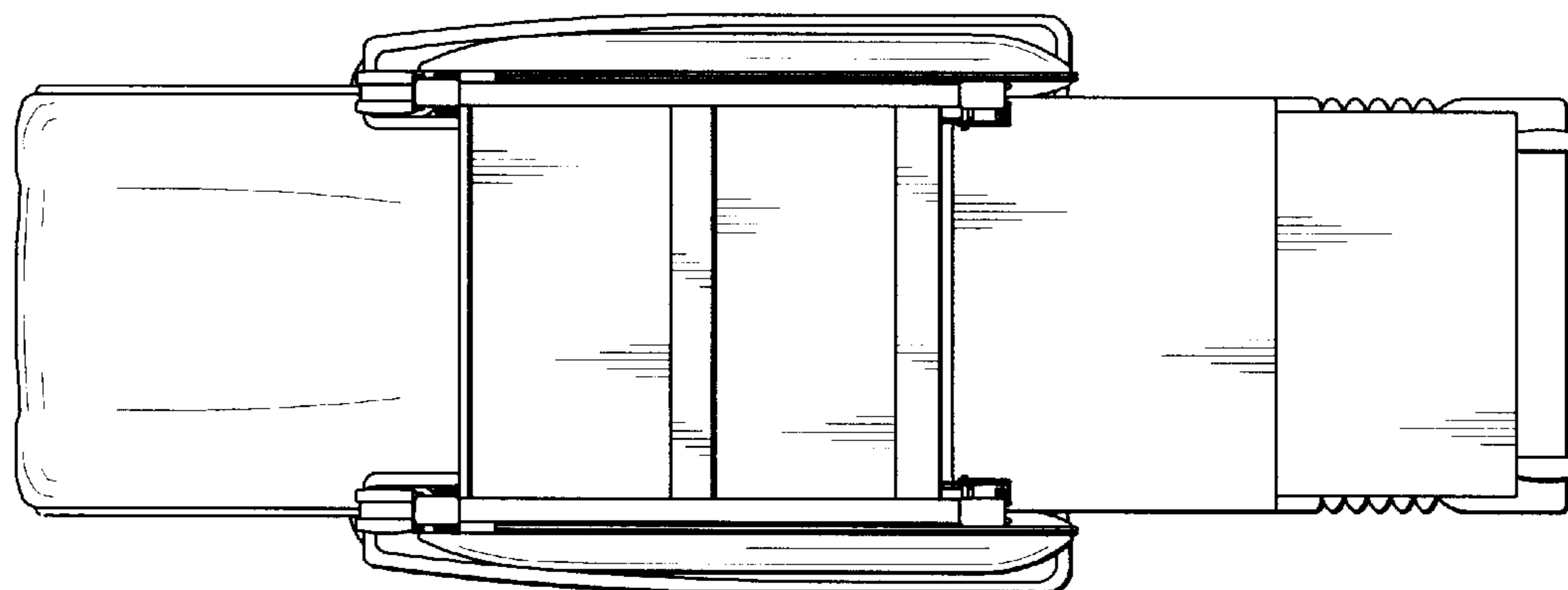


FIG. 11

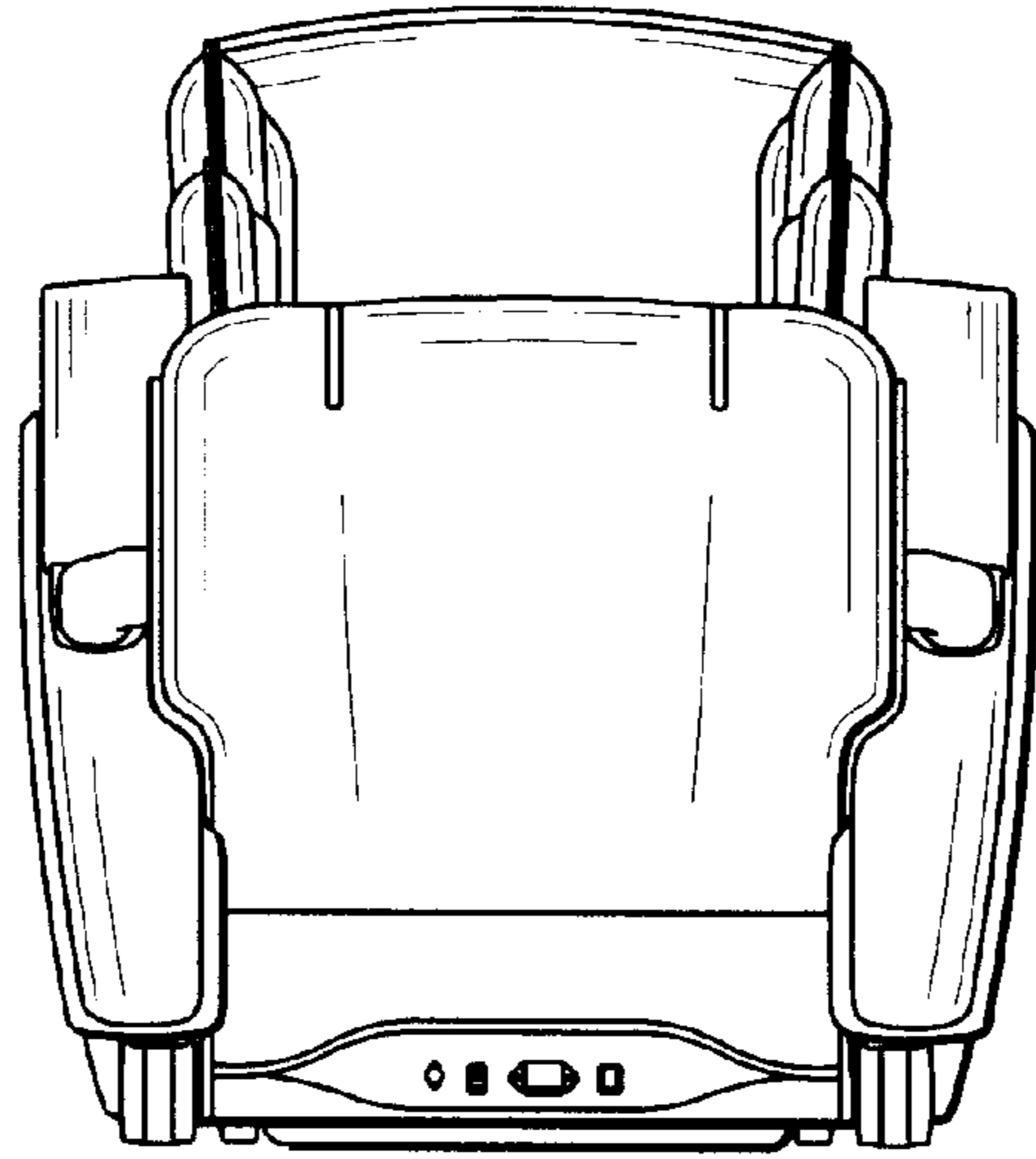


FIG. 12

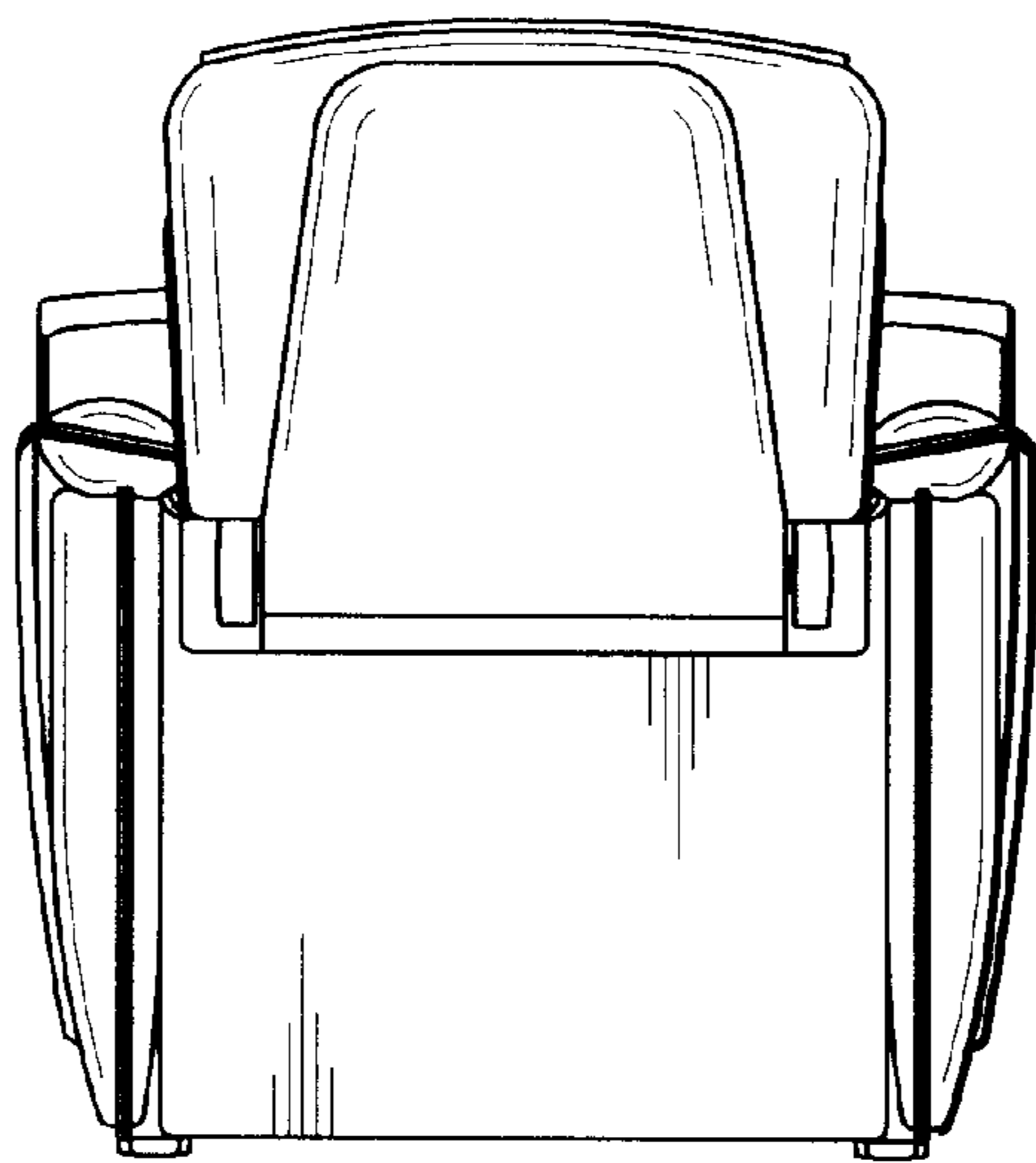


FIG. 13

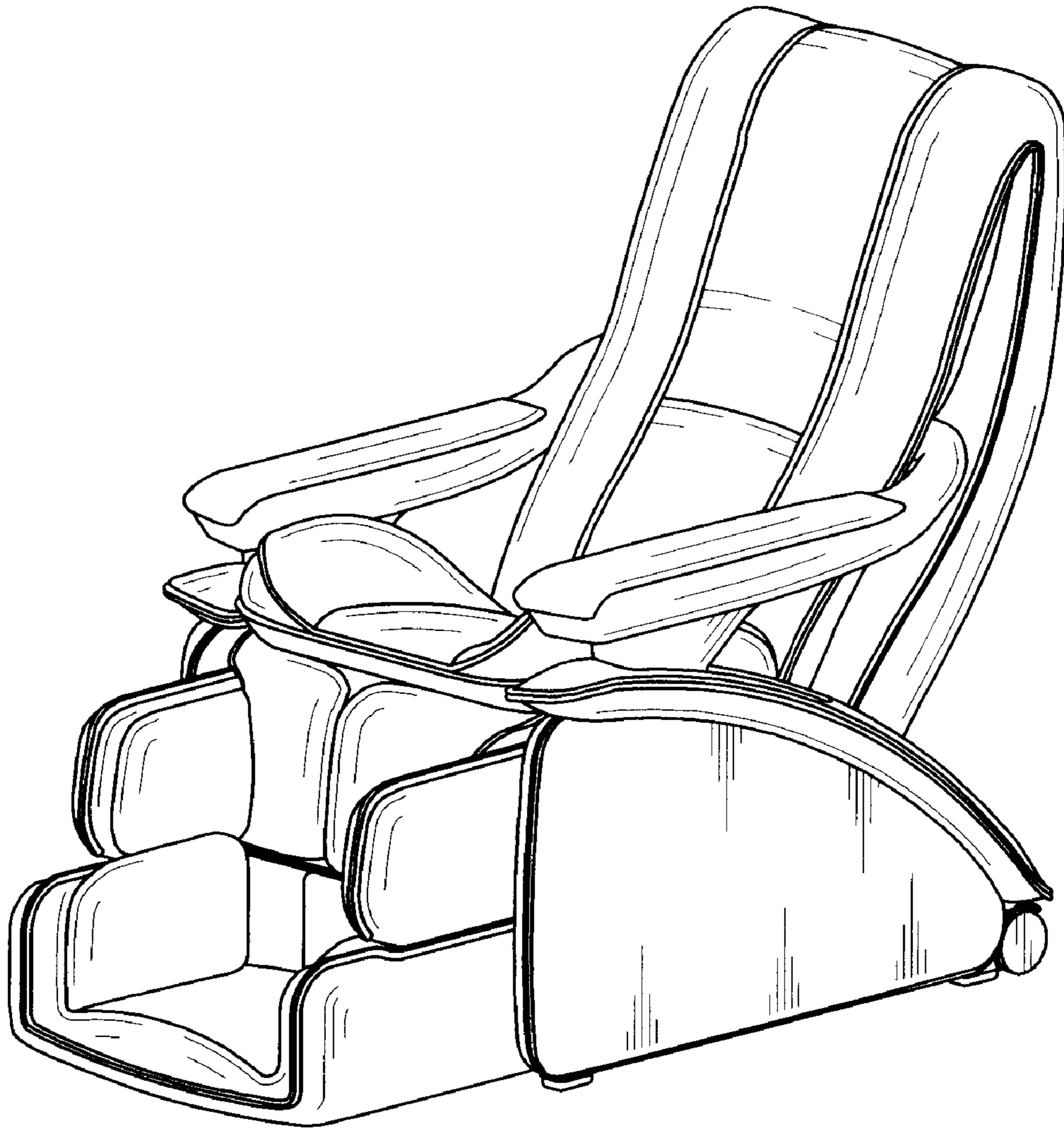


FIG. 14

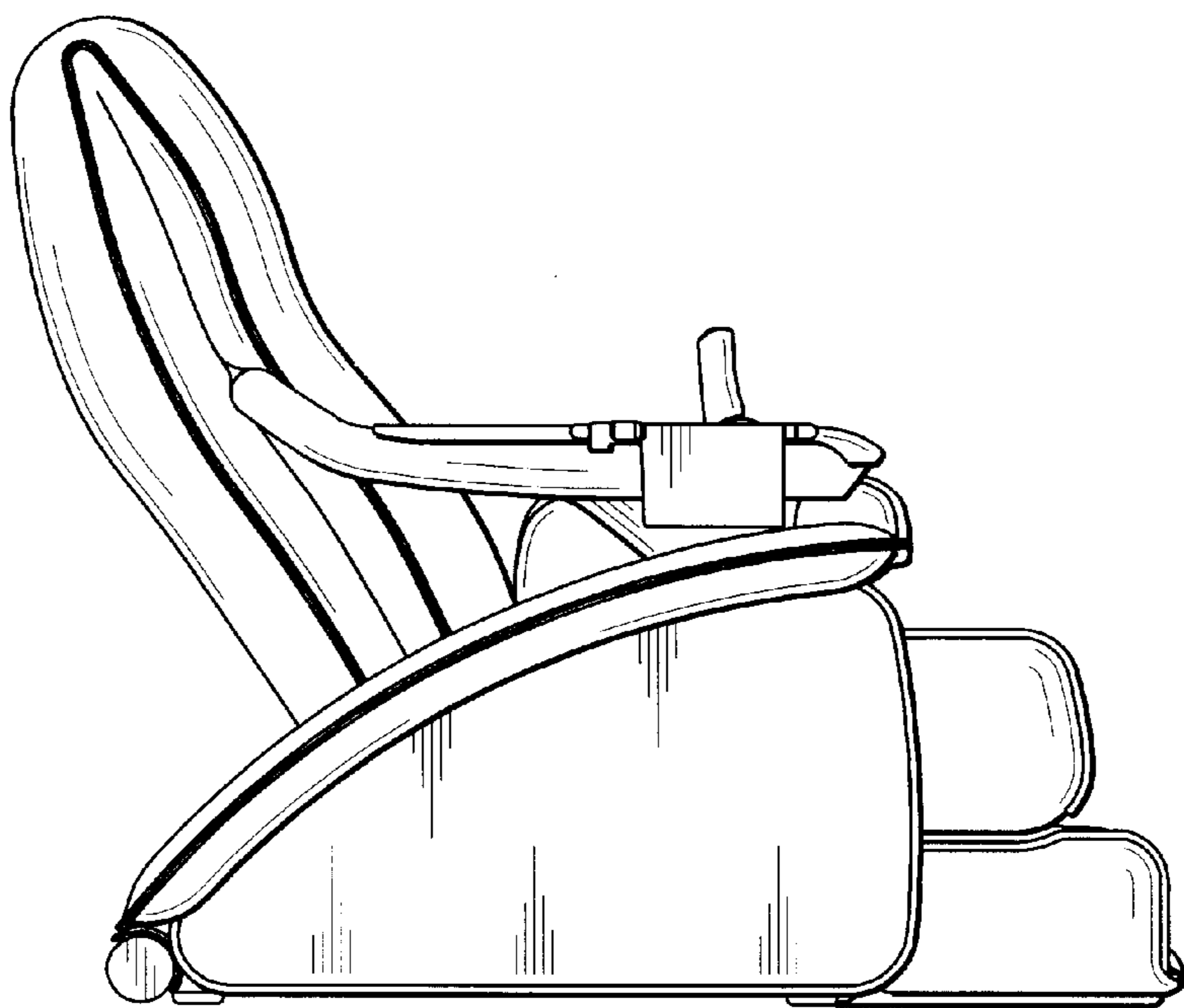


FIG. 15

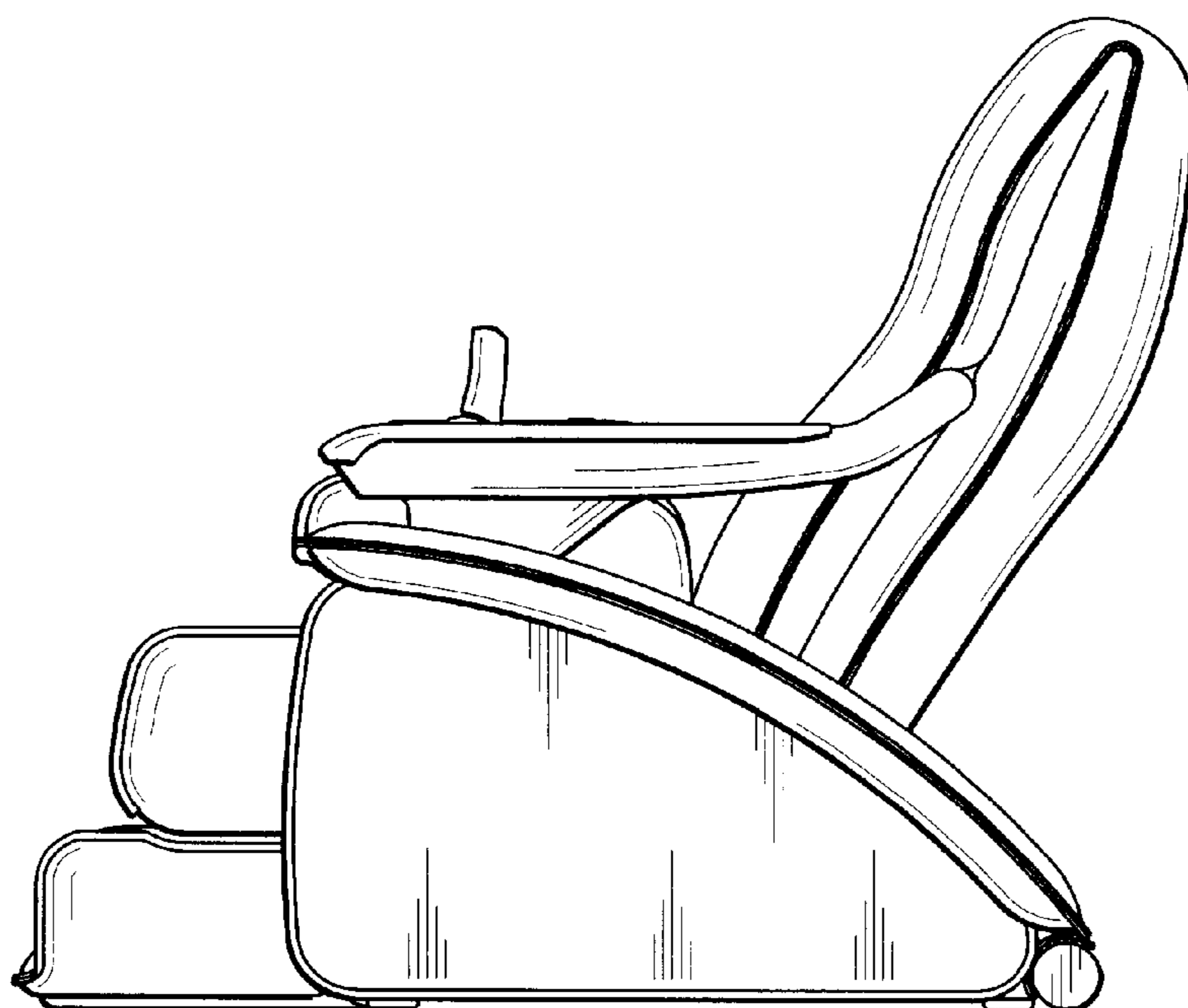


FIG. 16

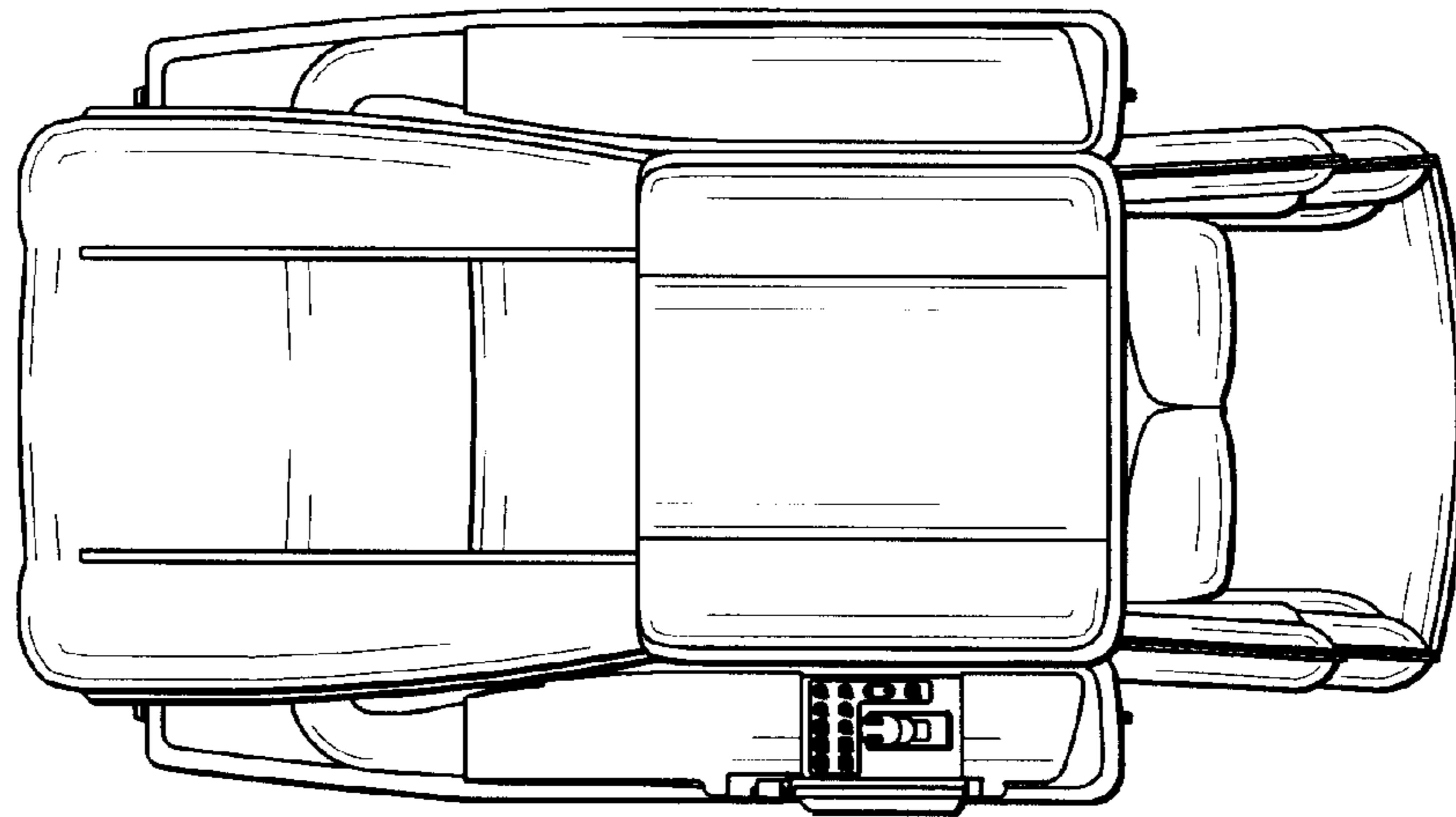


FIG. 17

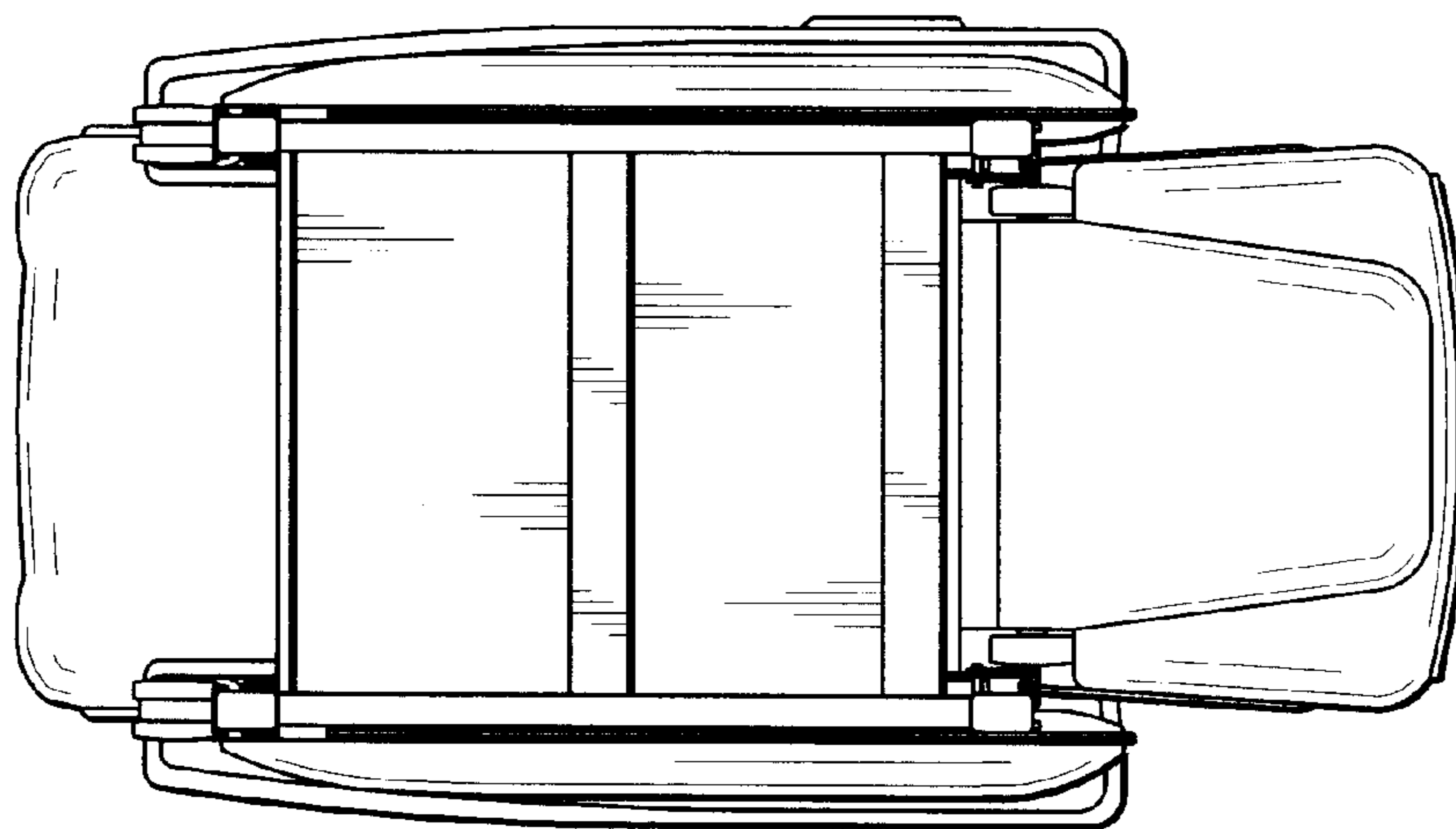


FIG. 18

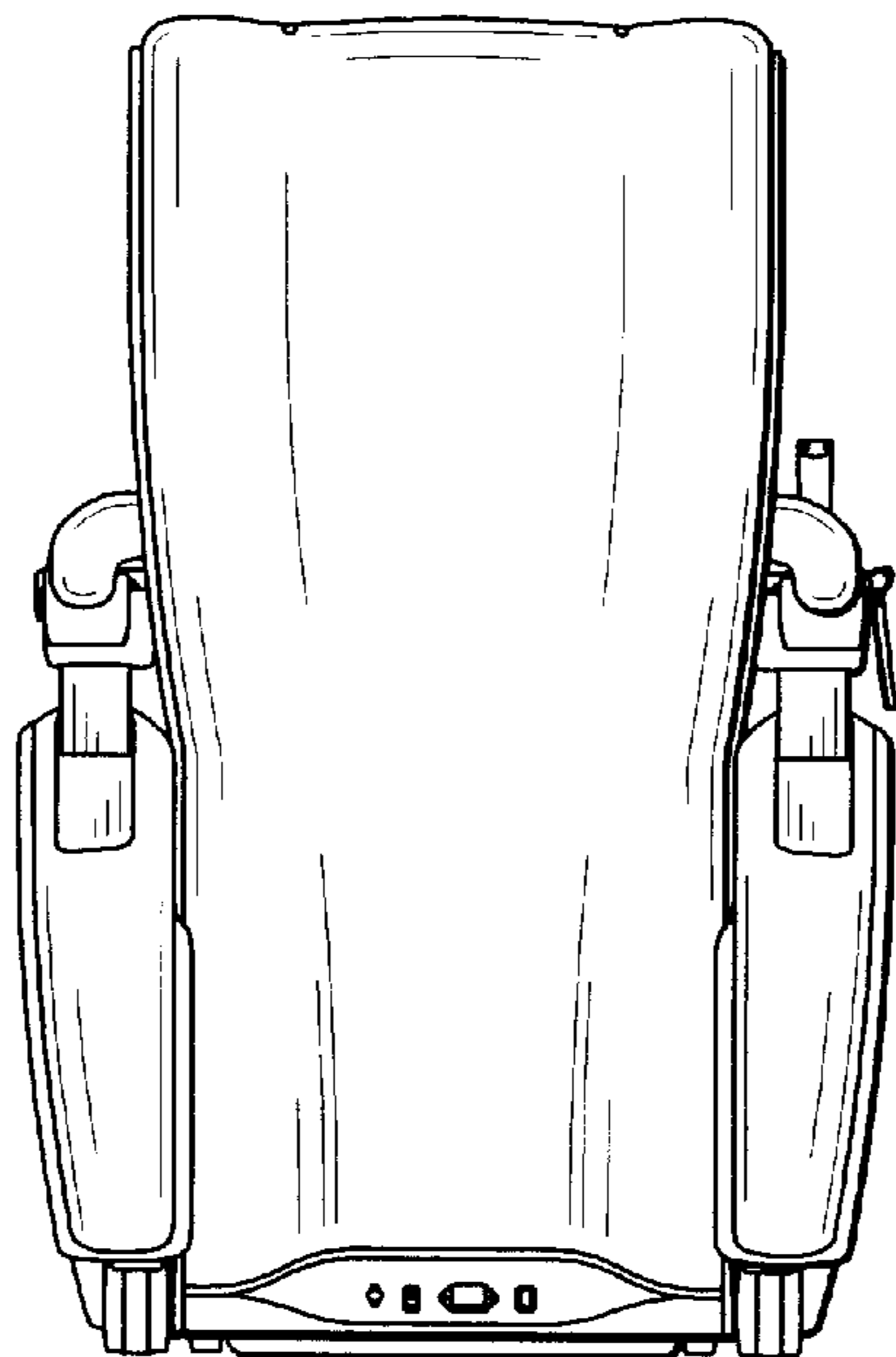


FIG. 19

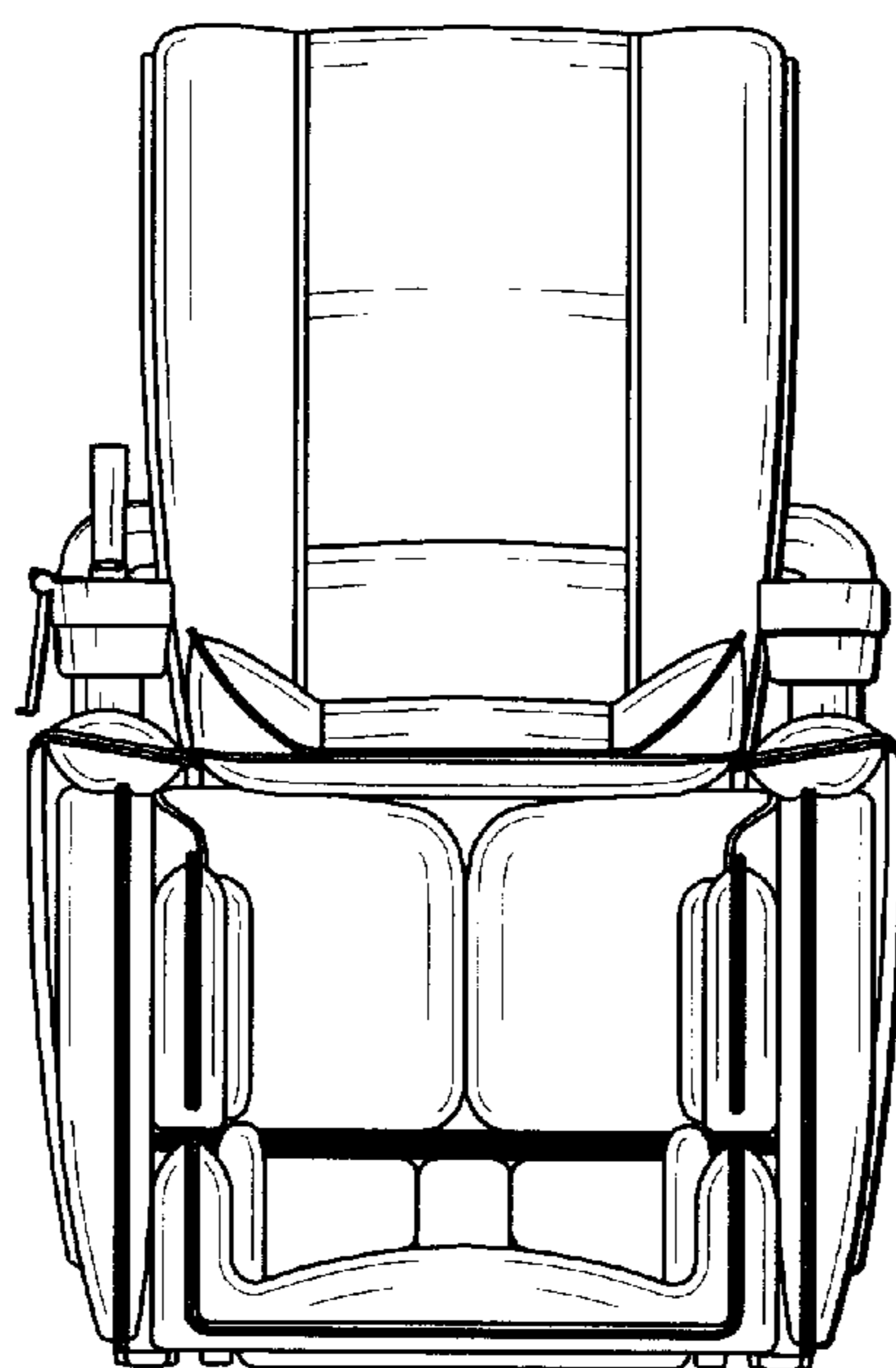


FIG. 20

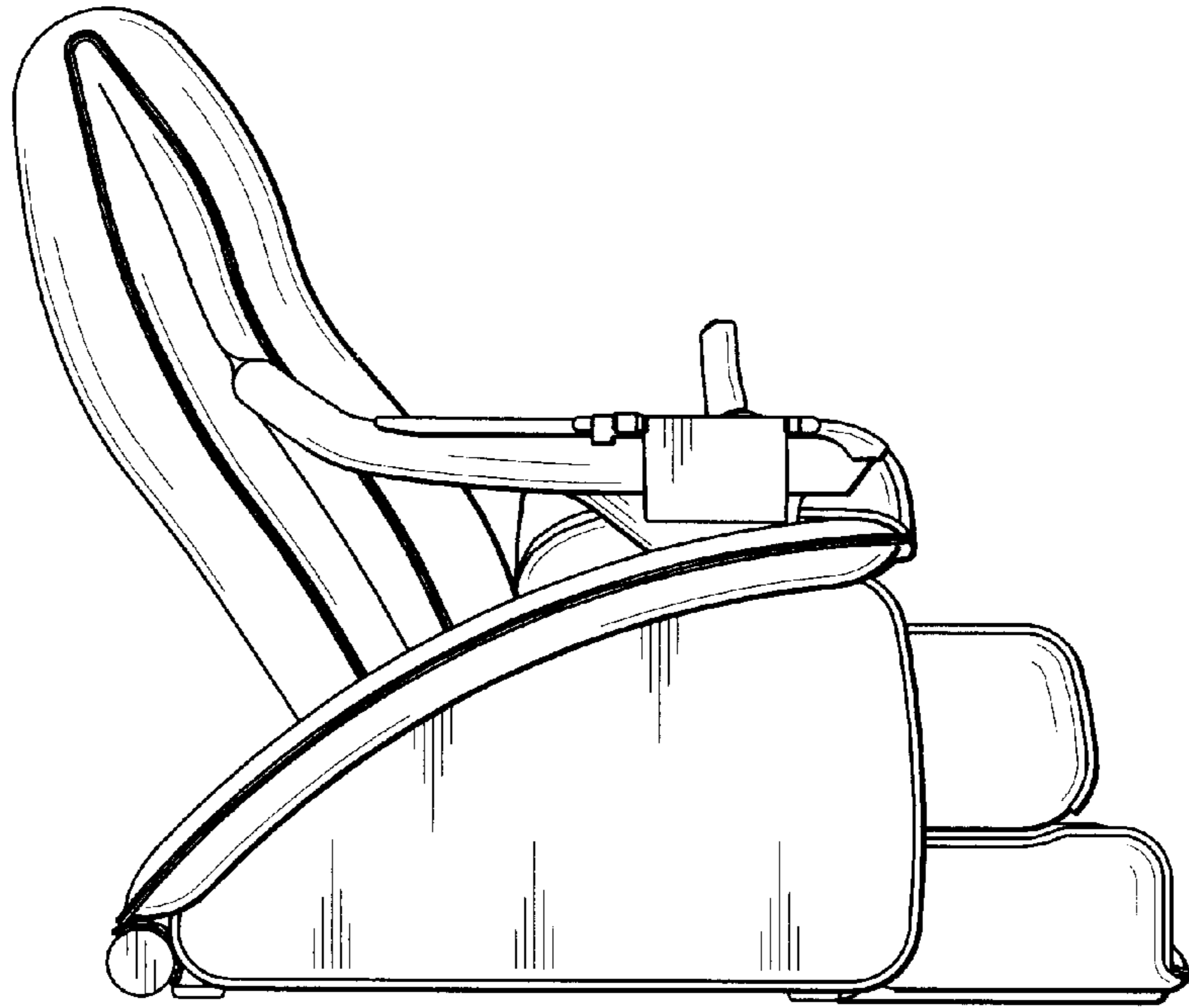


FIG. 21

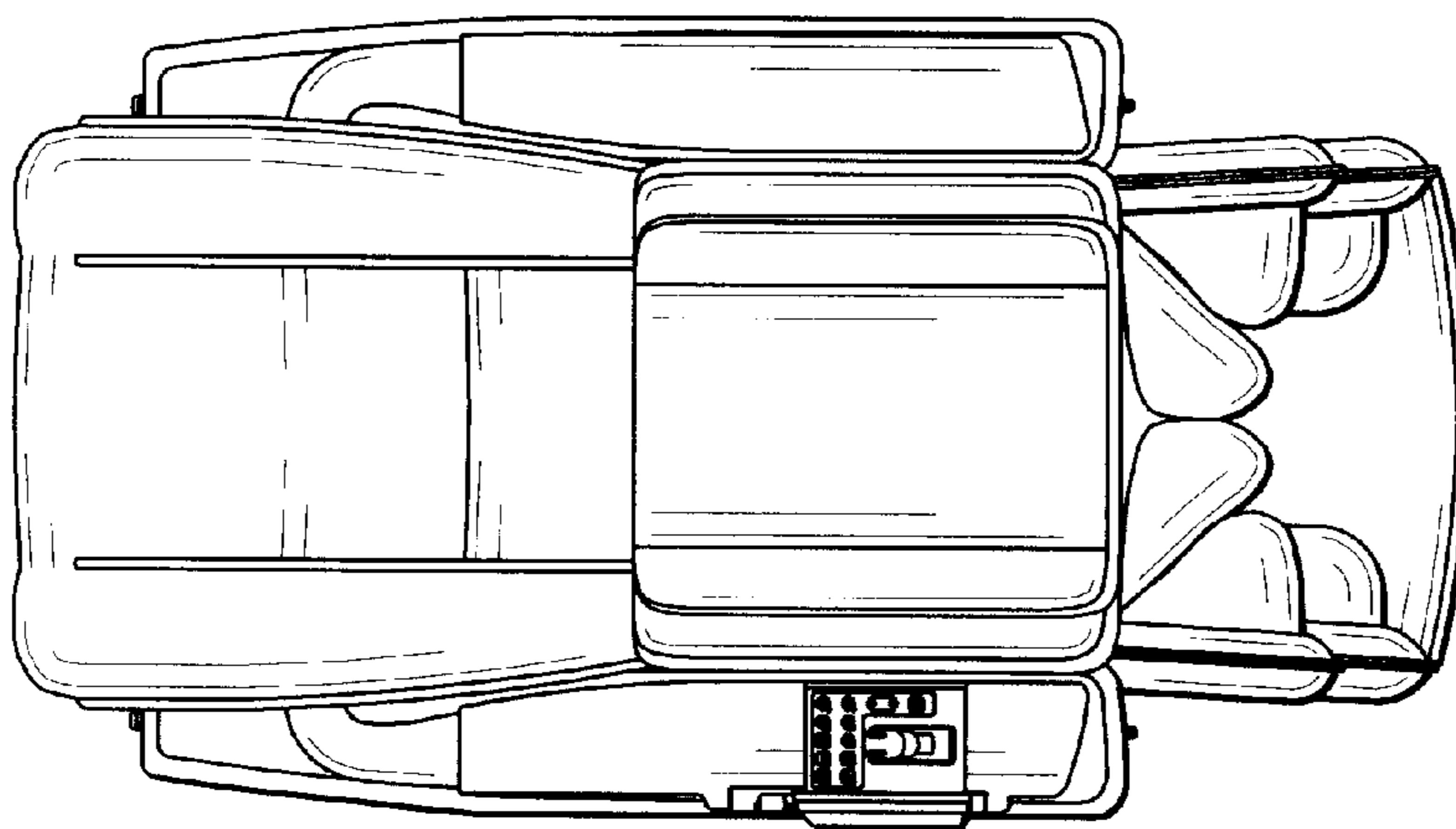


FIG. 22

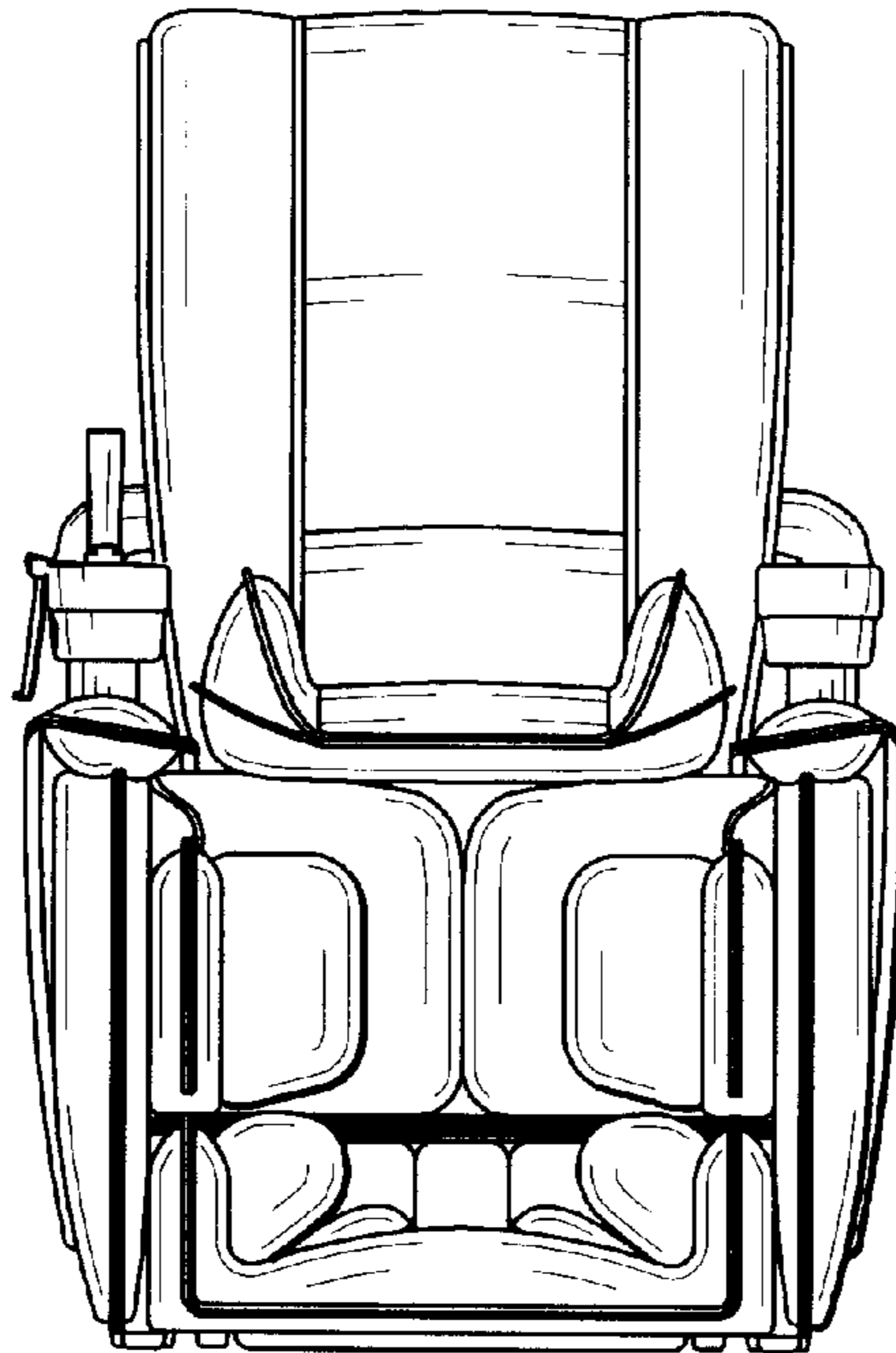


FIG. 23

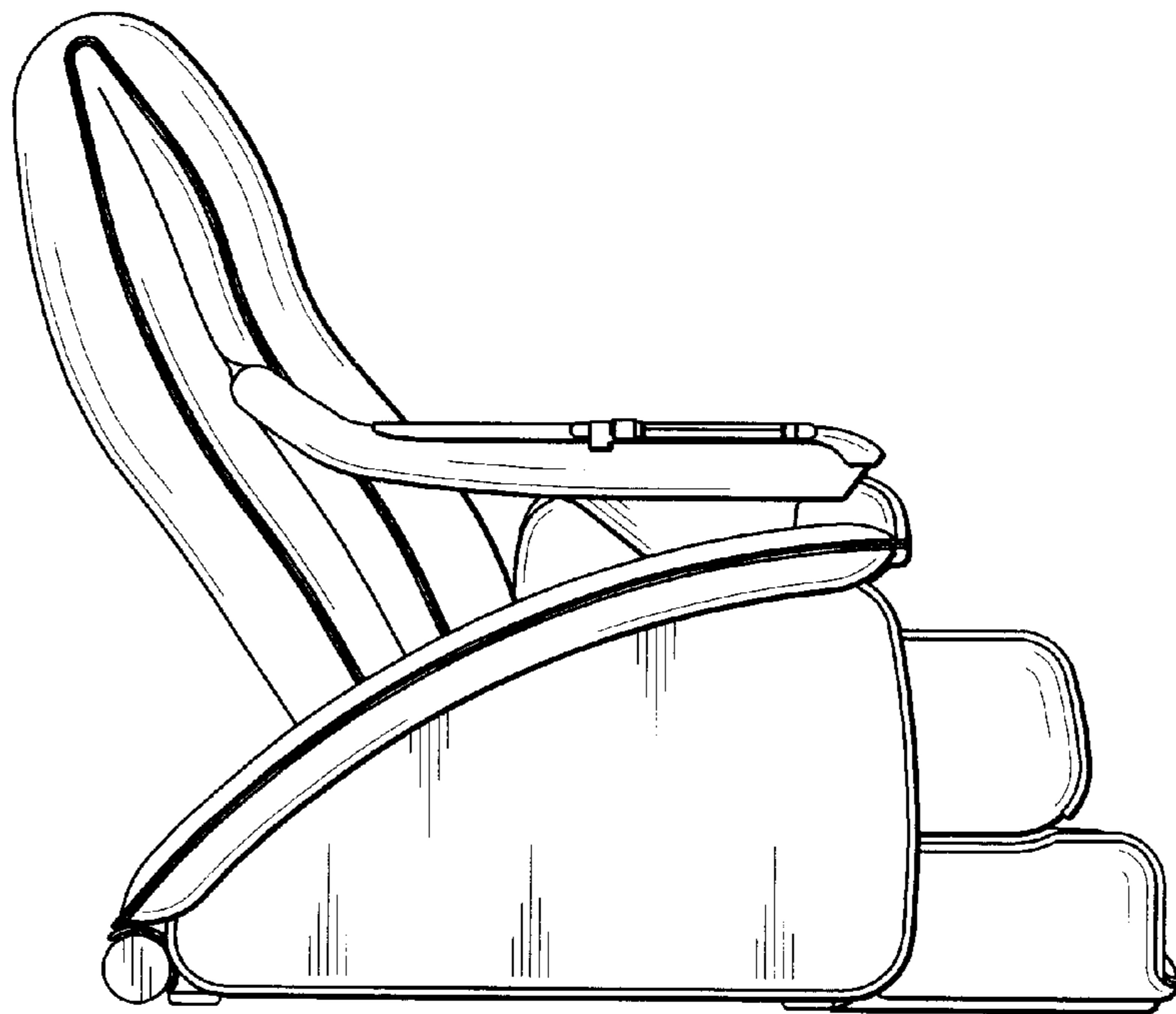


FIG. 24

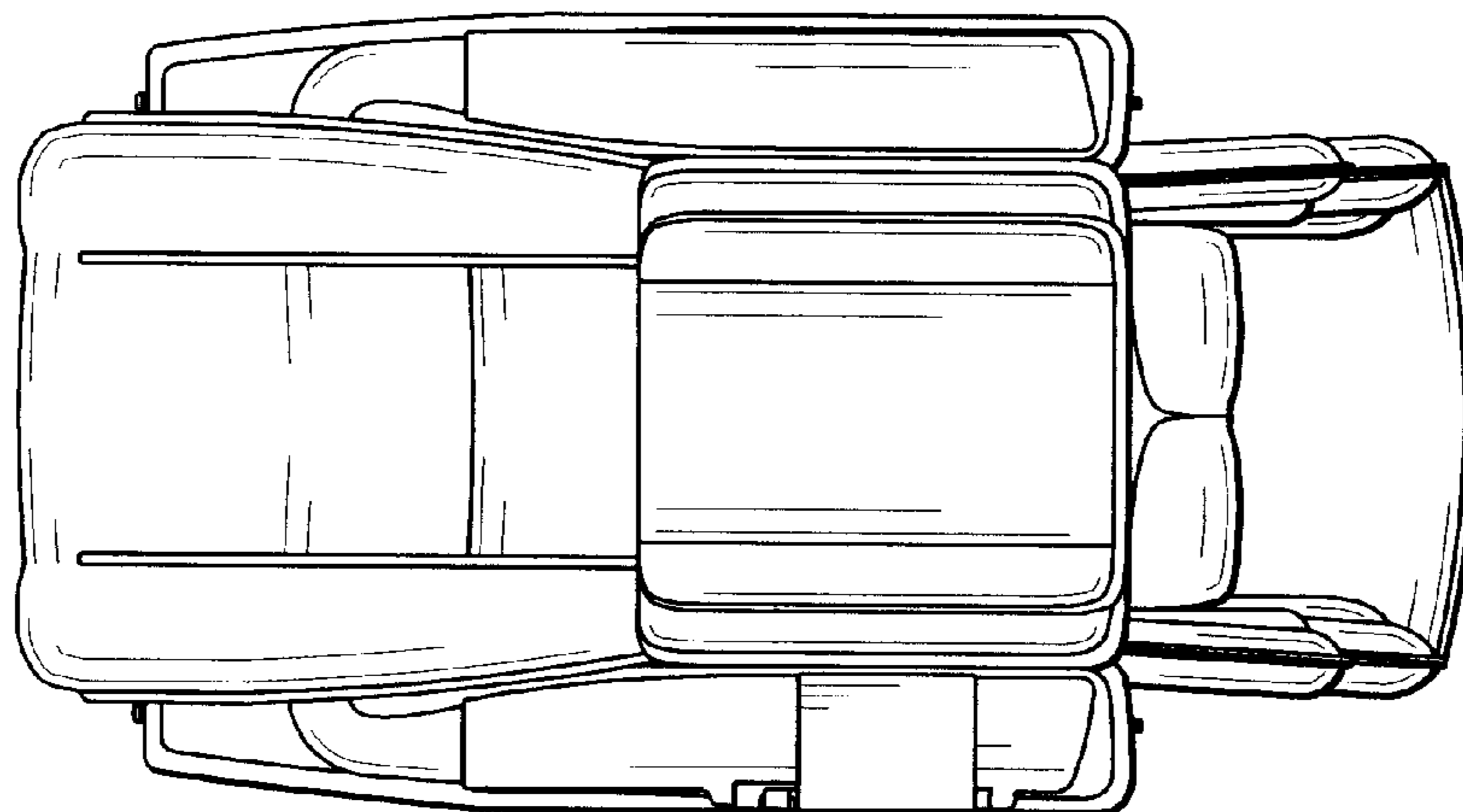


FIG. 25

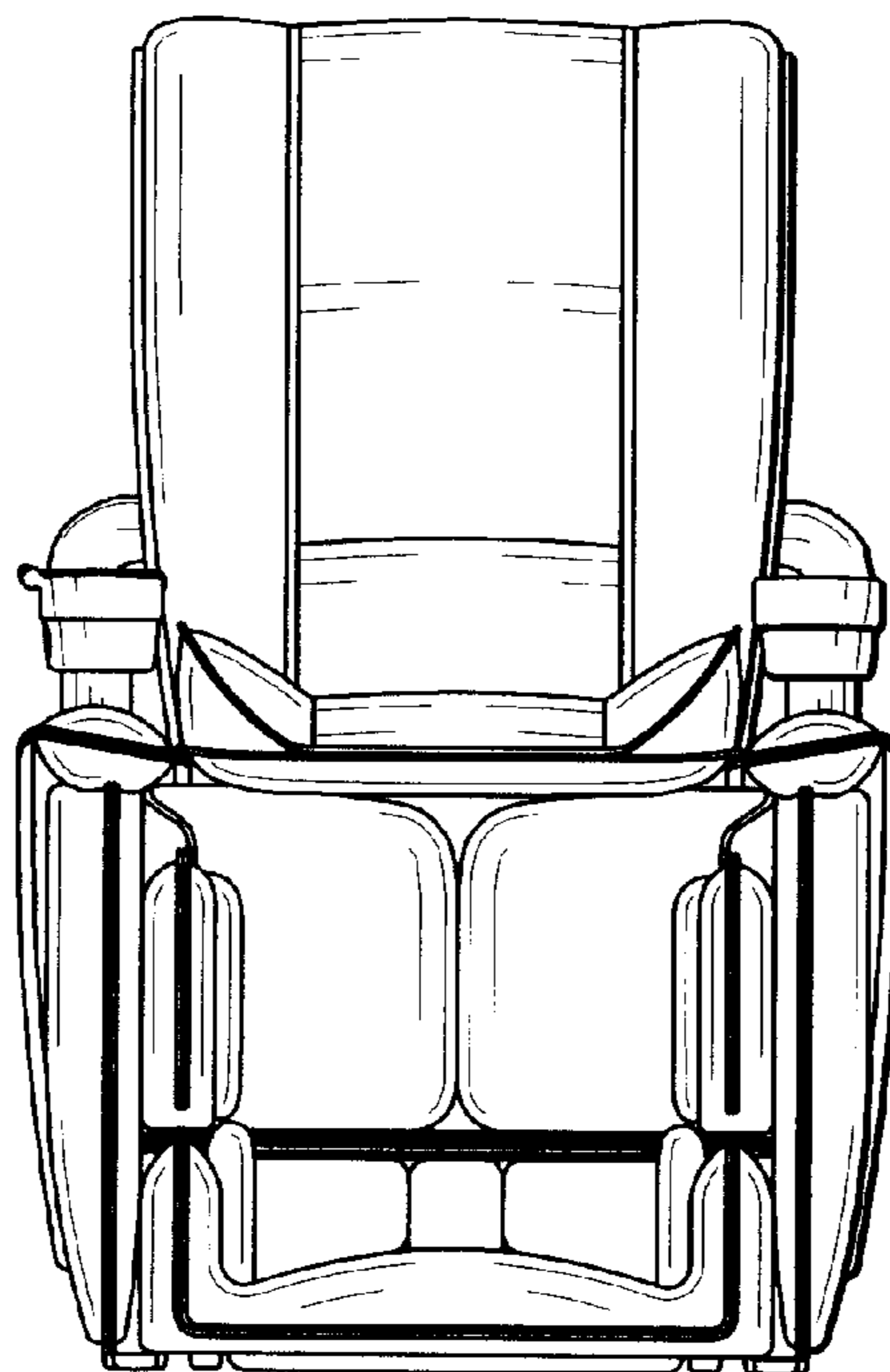


FIG. 26

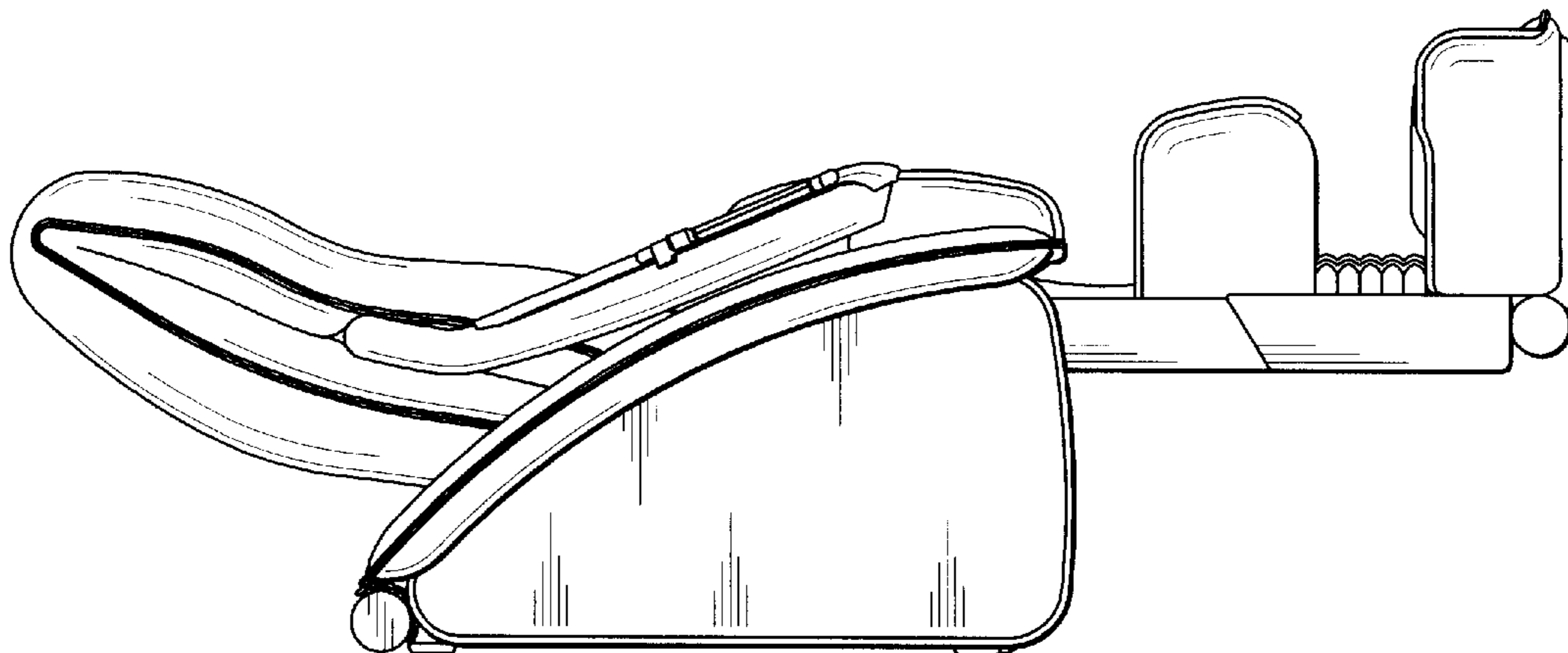


FIG. 27

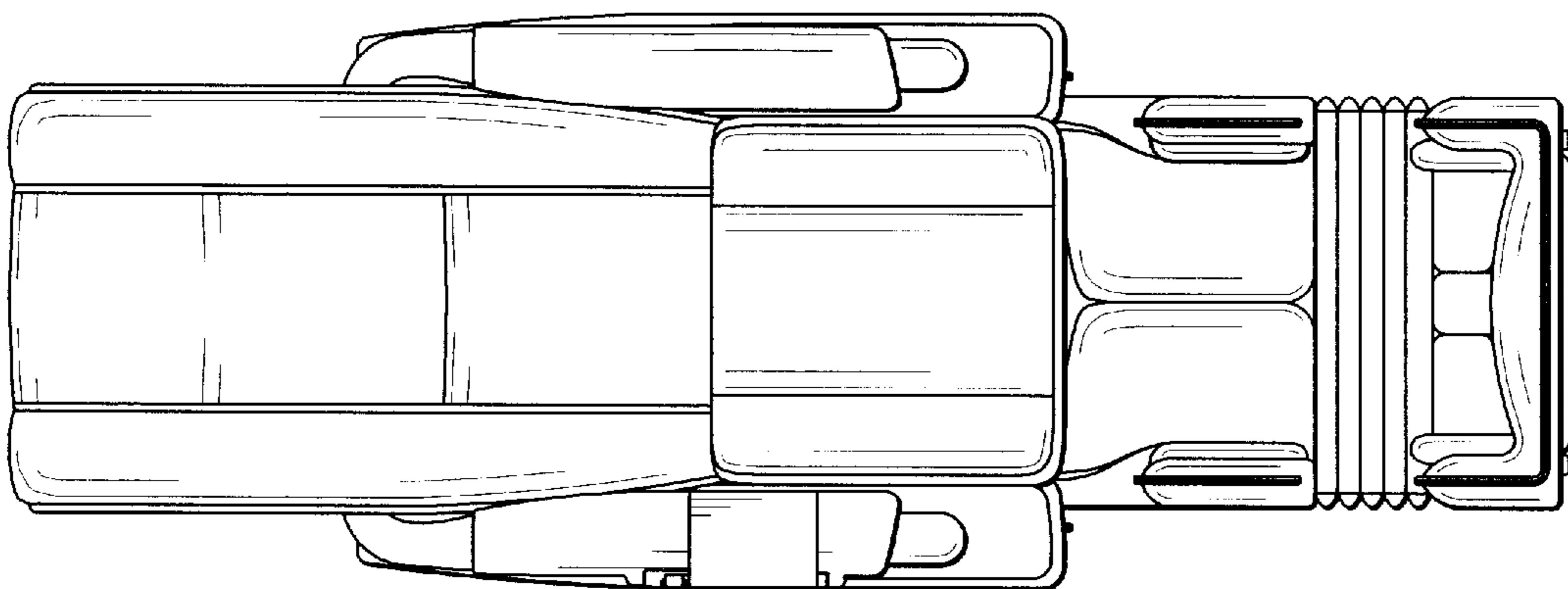


FIG. 28

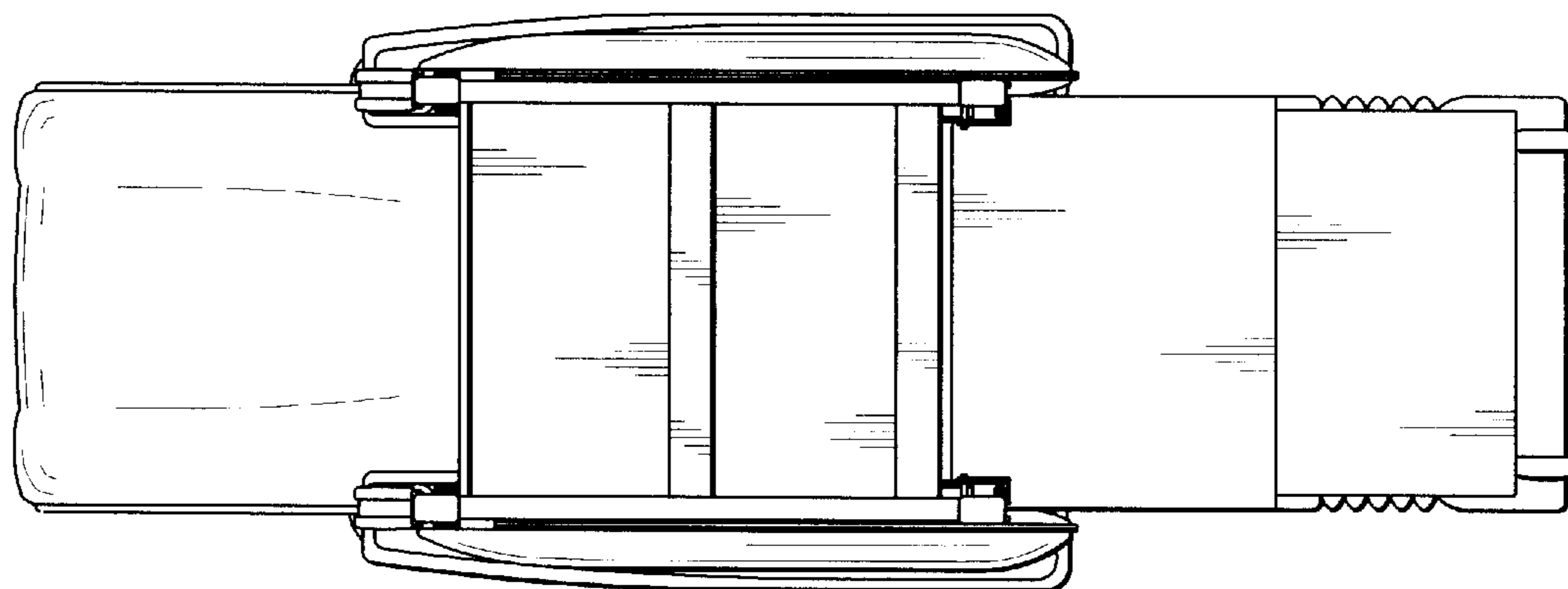


FIG. 29

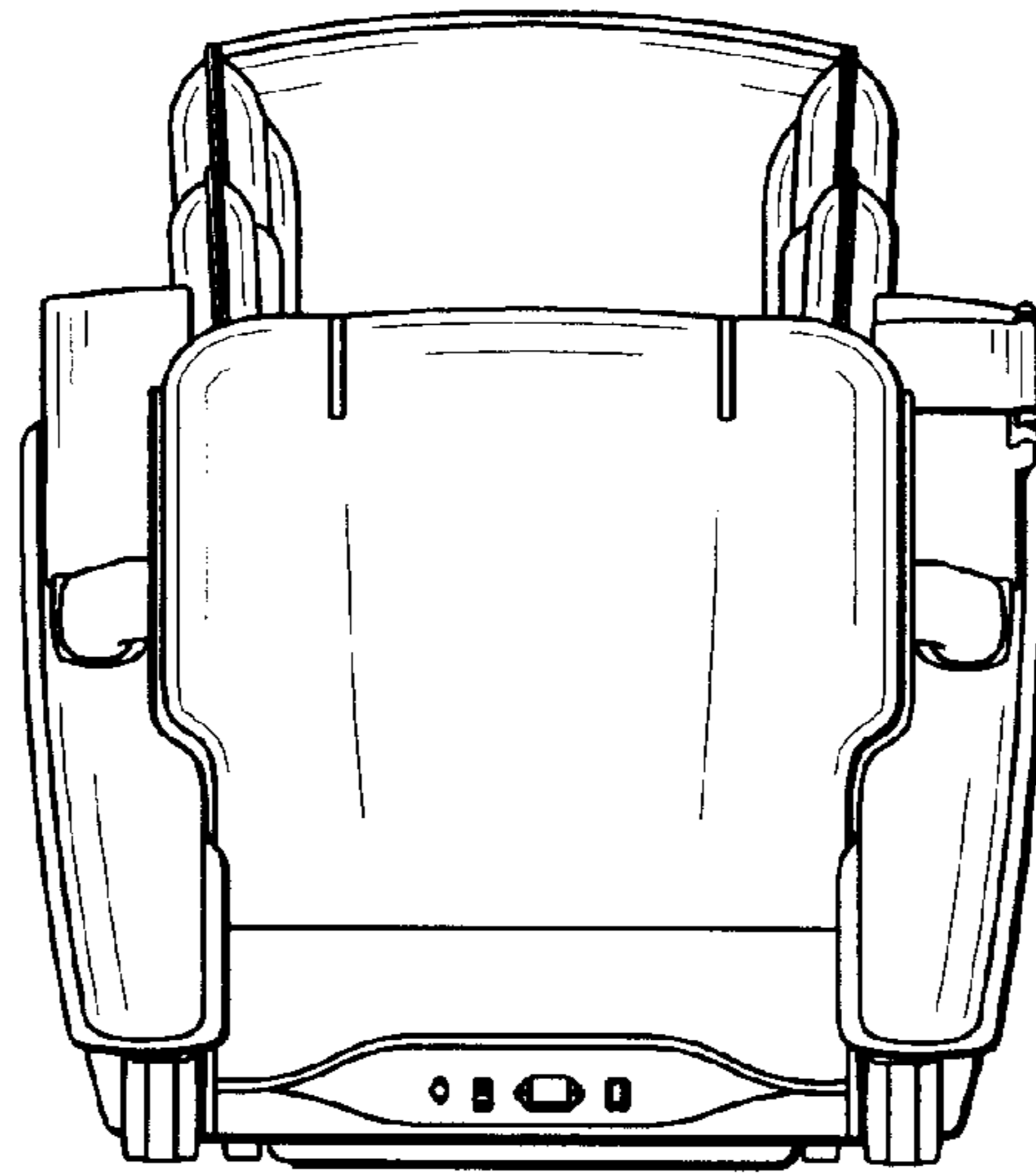


FIG. 30

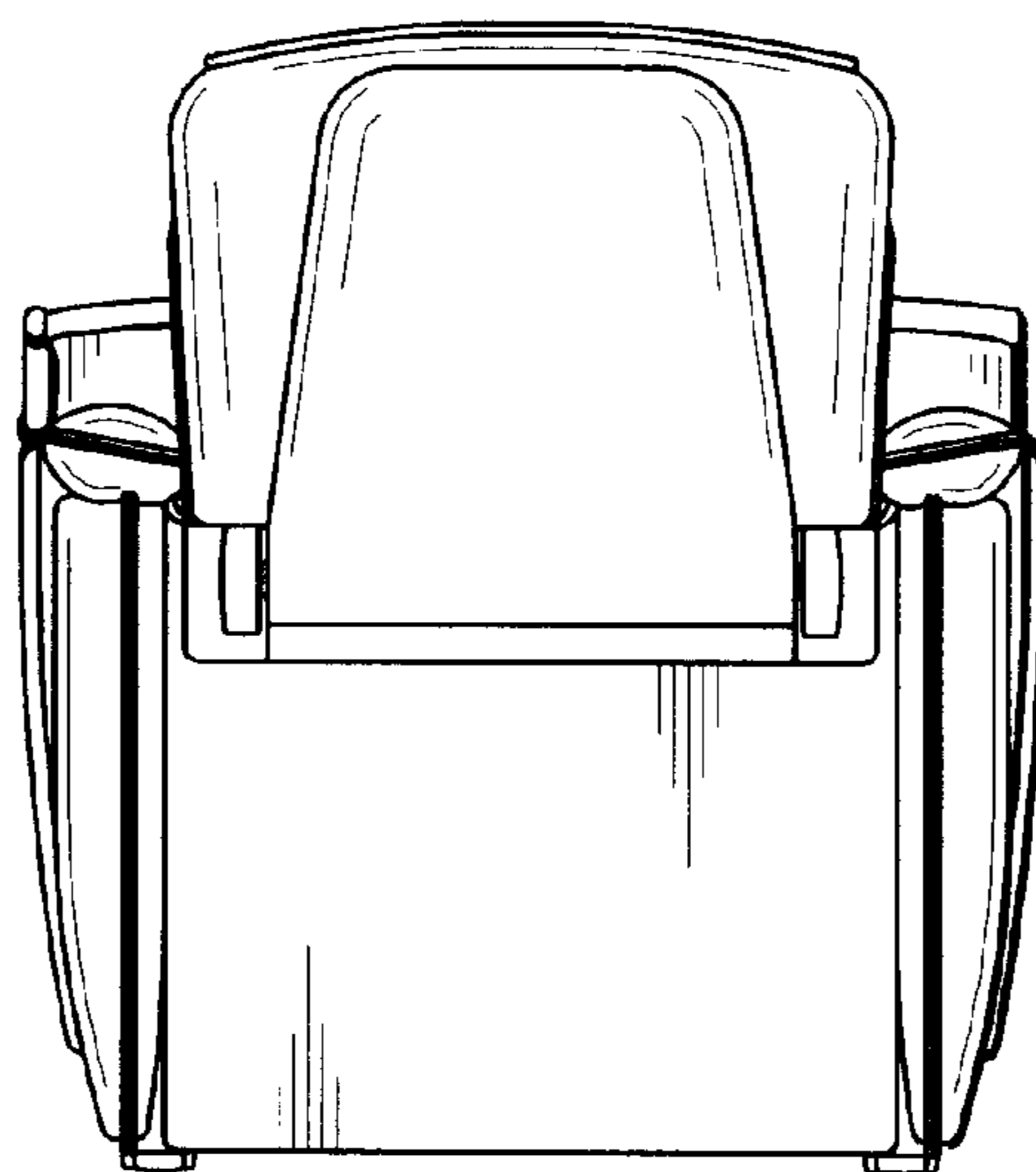


FIG. 31

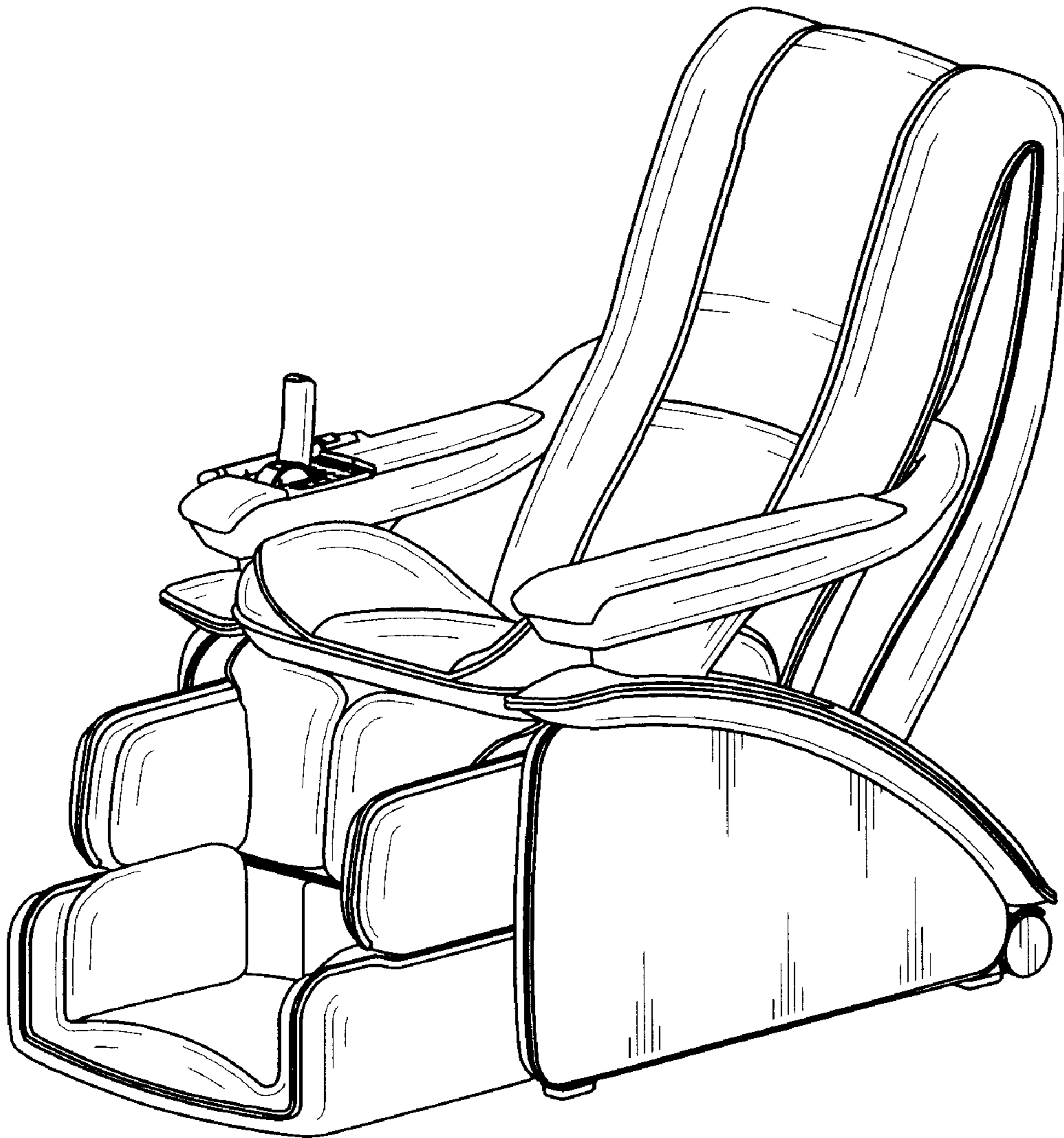


FIG. 32

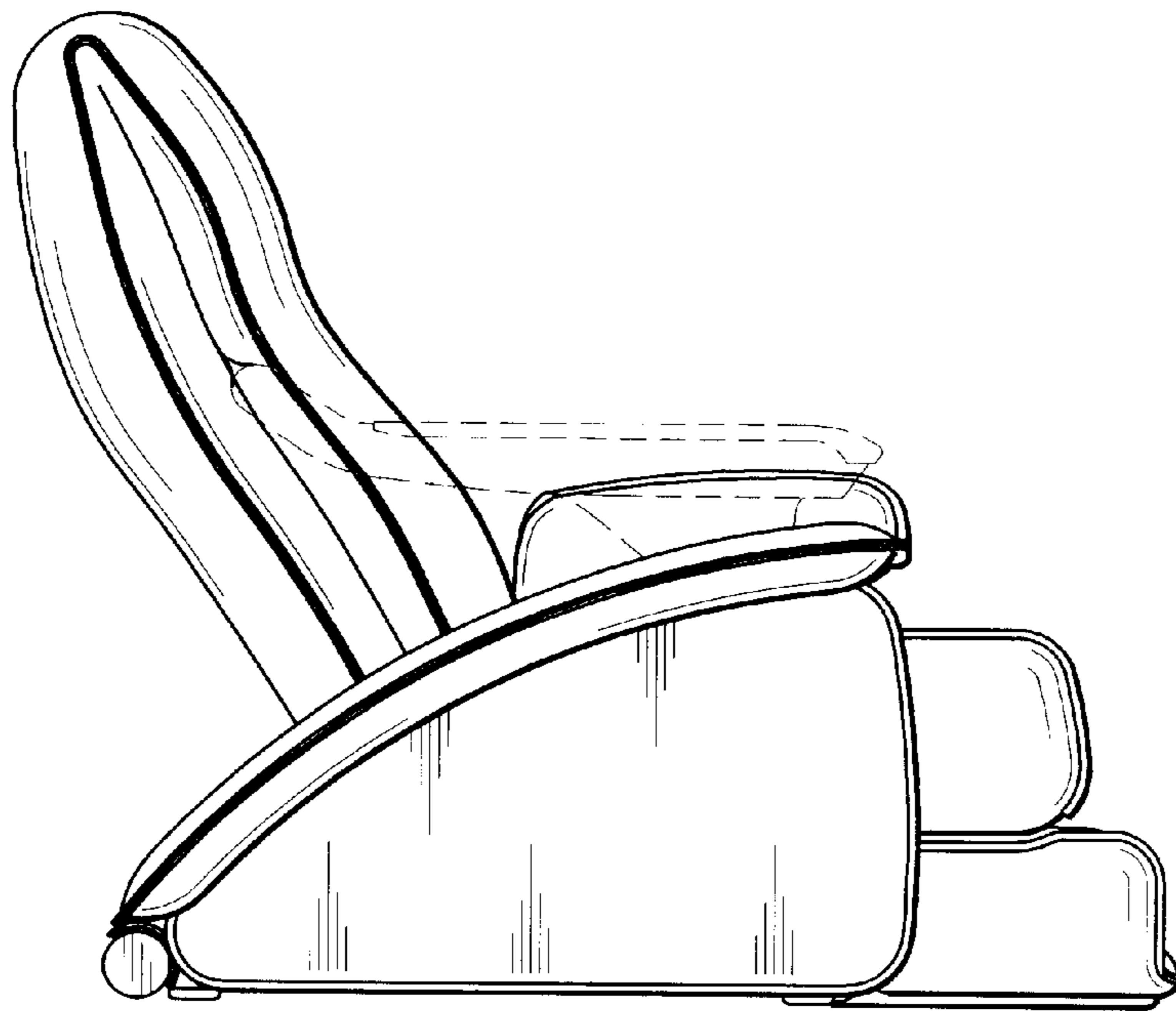


FIG. 33

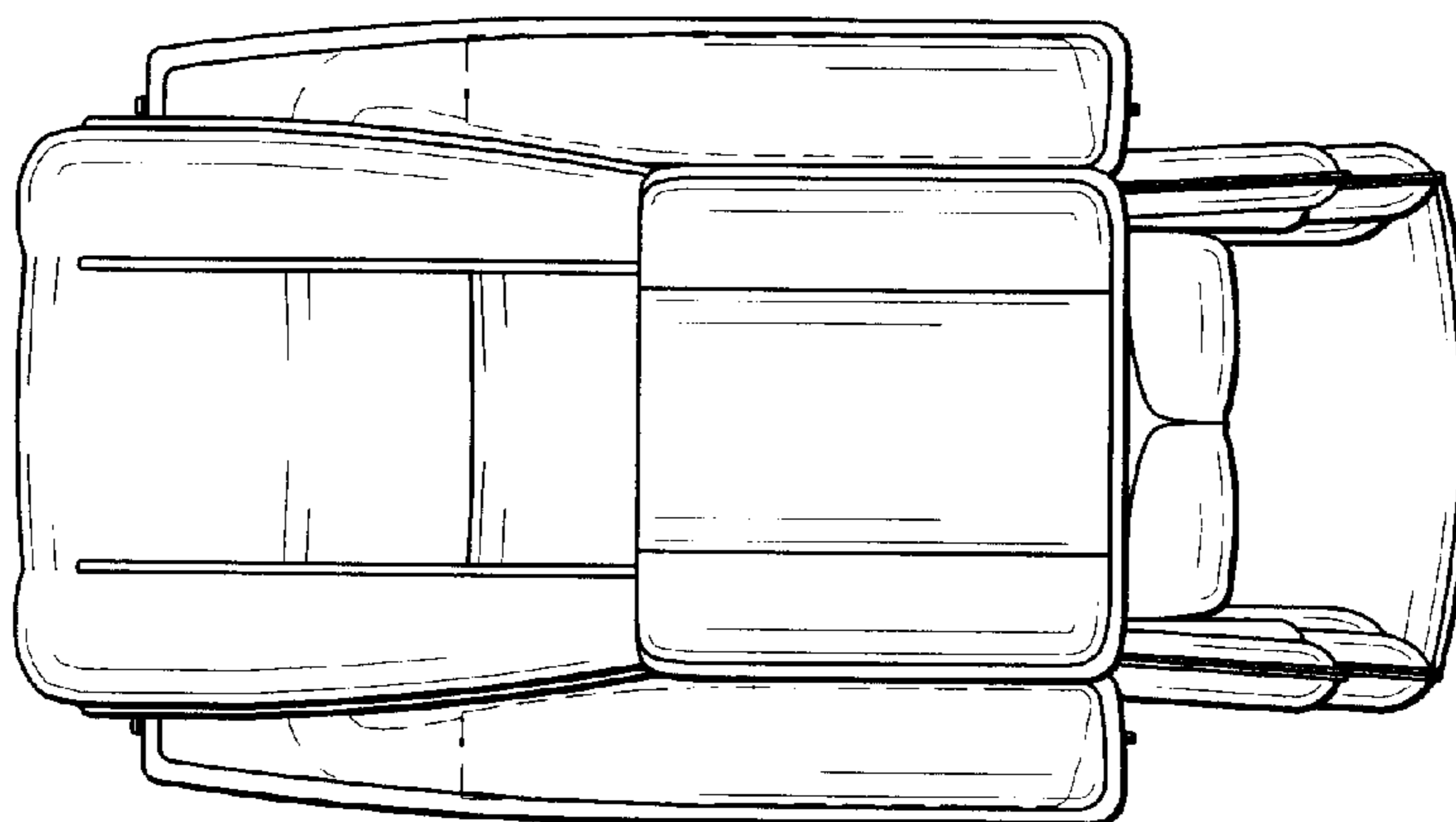


FIG. 34

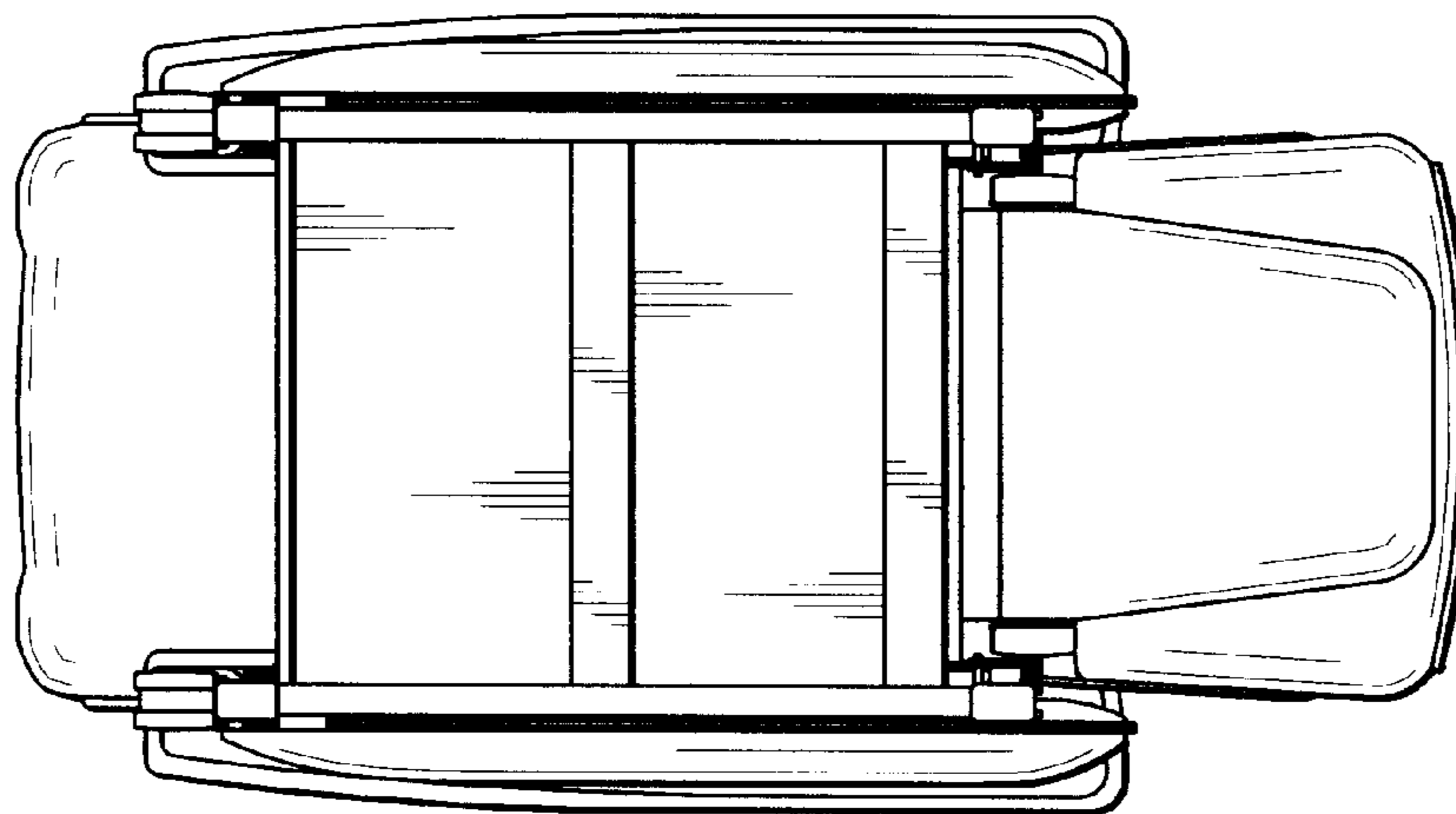


FIG. 35

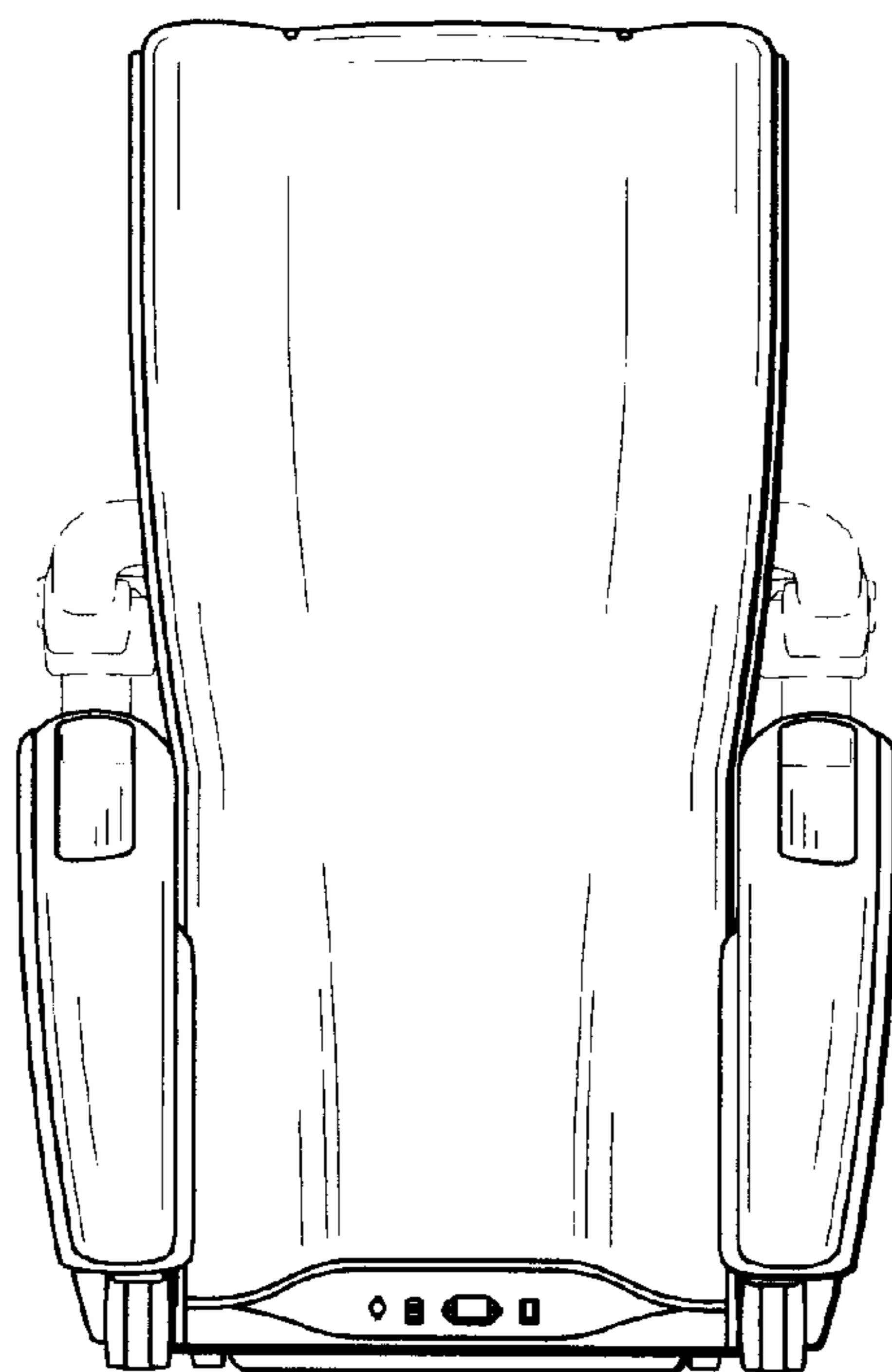


FIG. 36

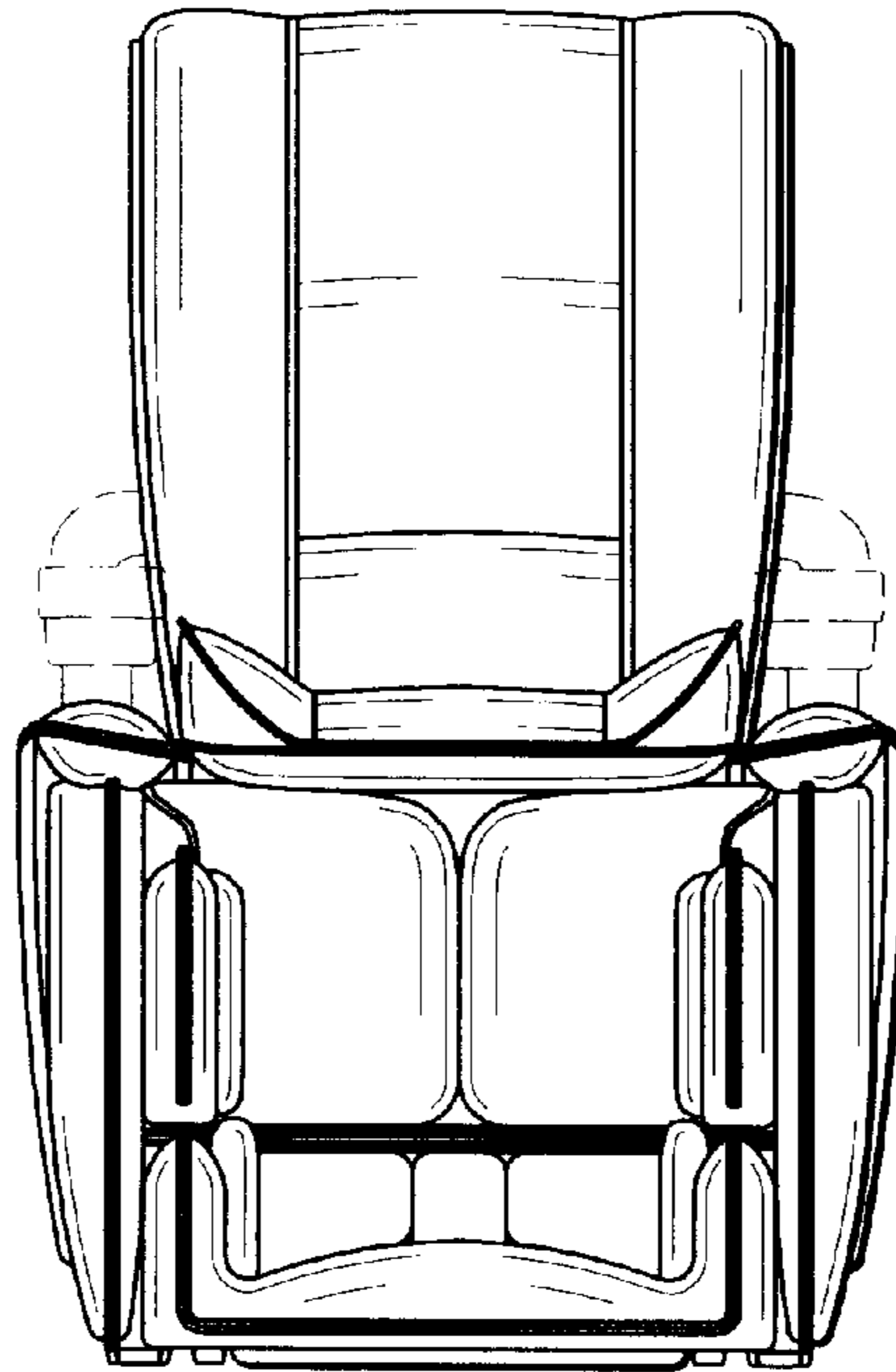


FIG. 37

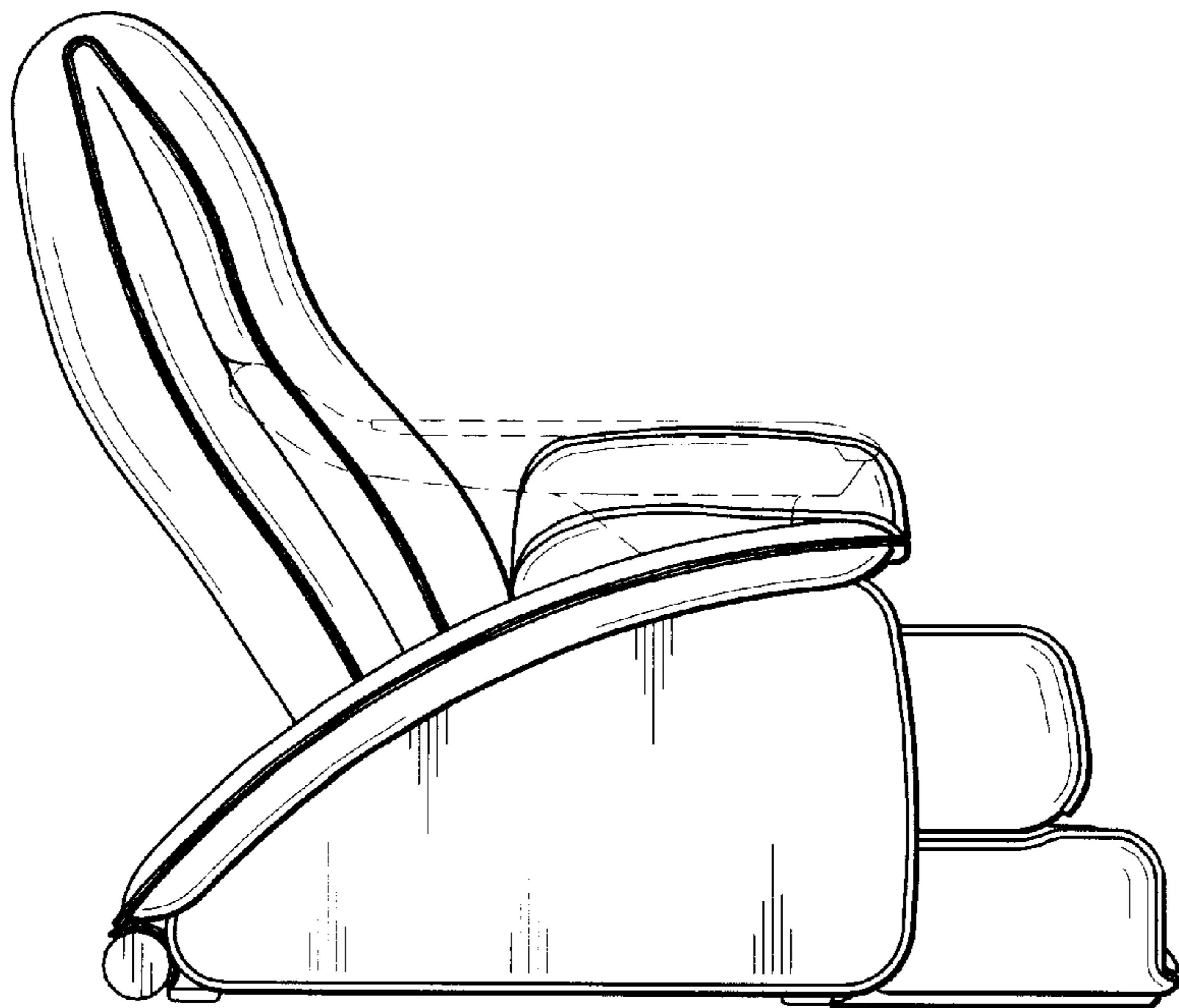


FIG. 38

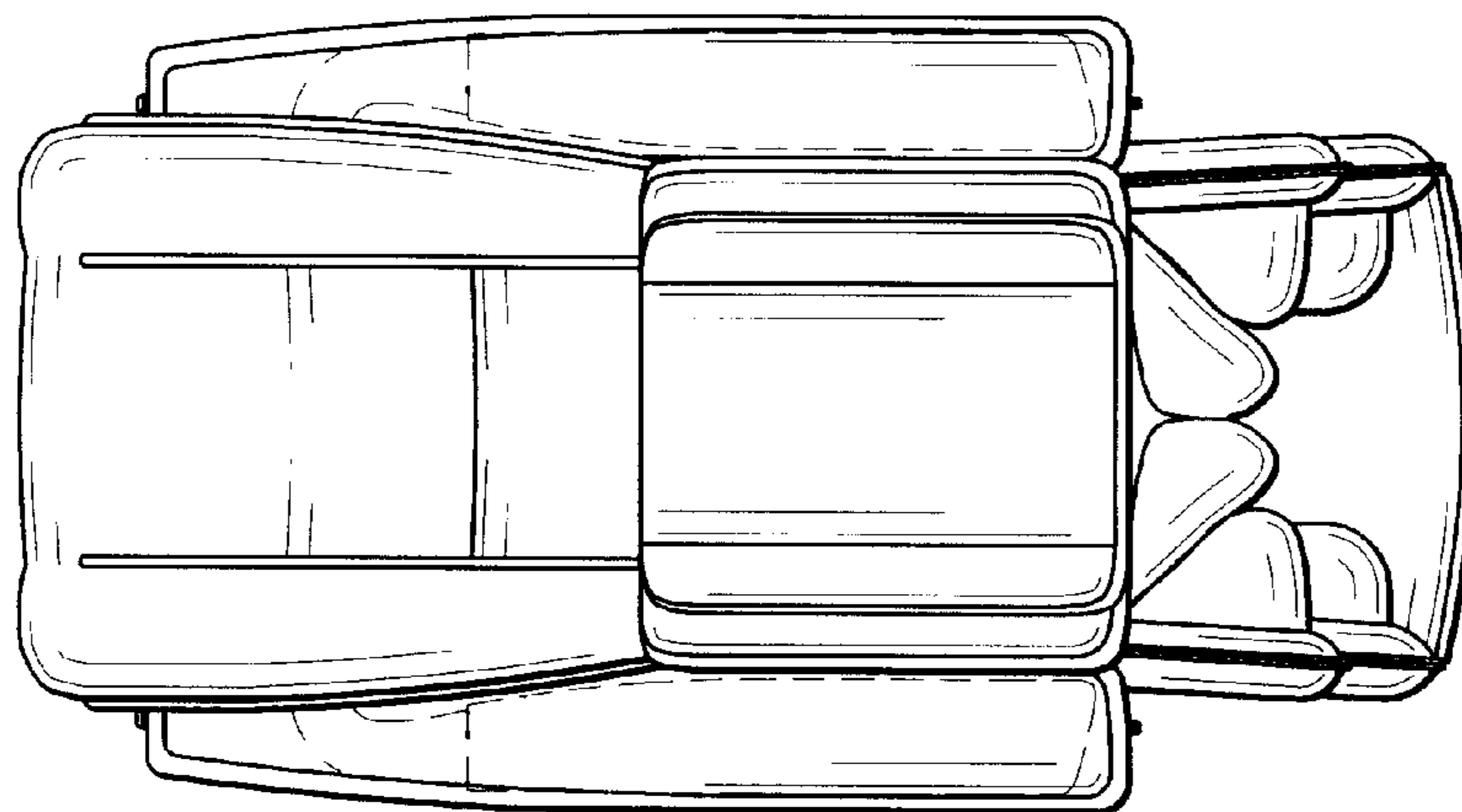


FIG. 39

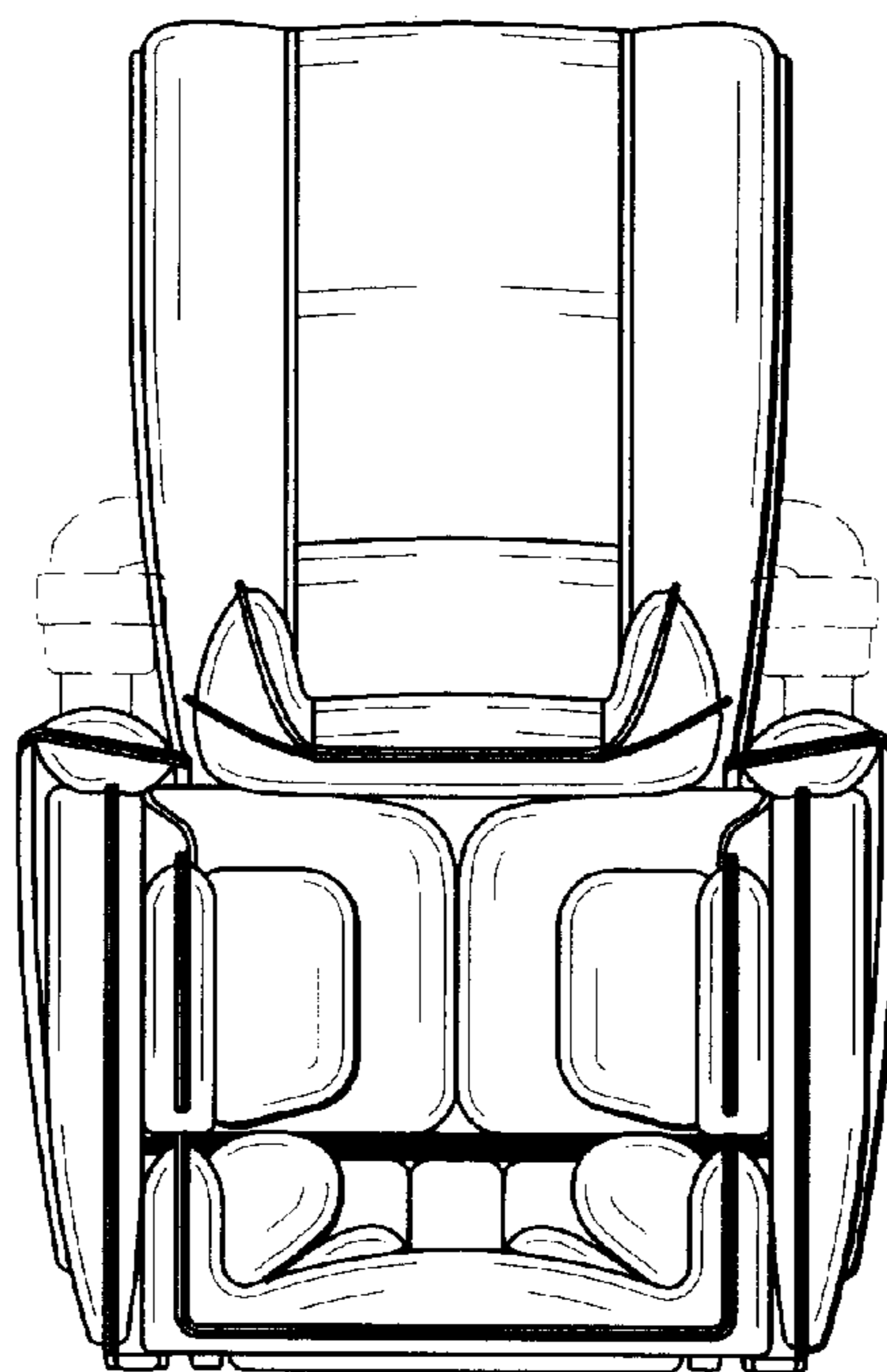


FIG. 40

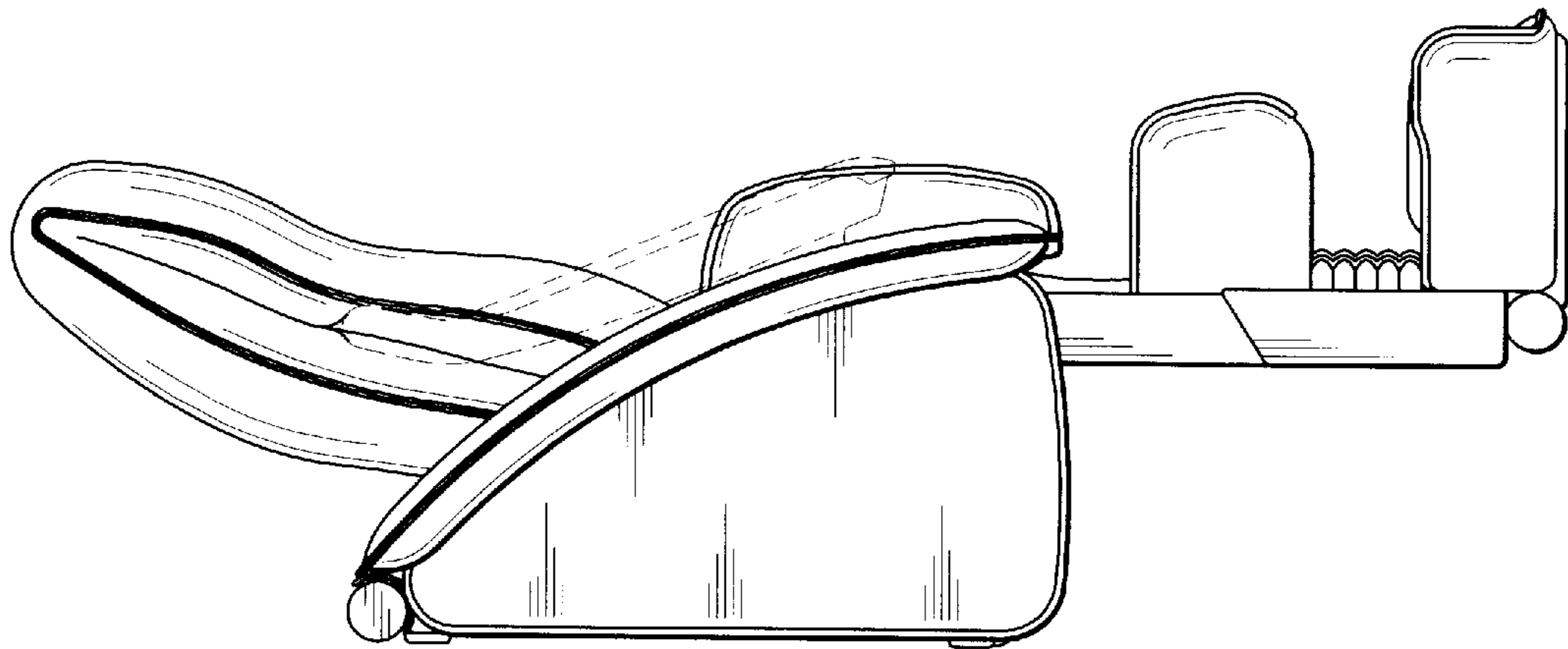


FIG. 41

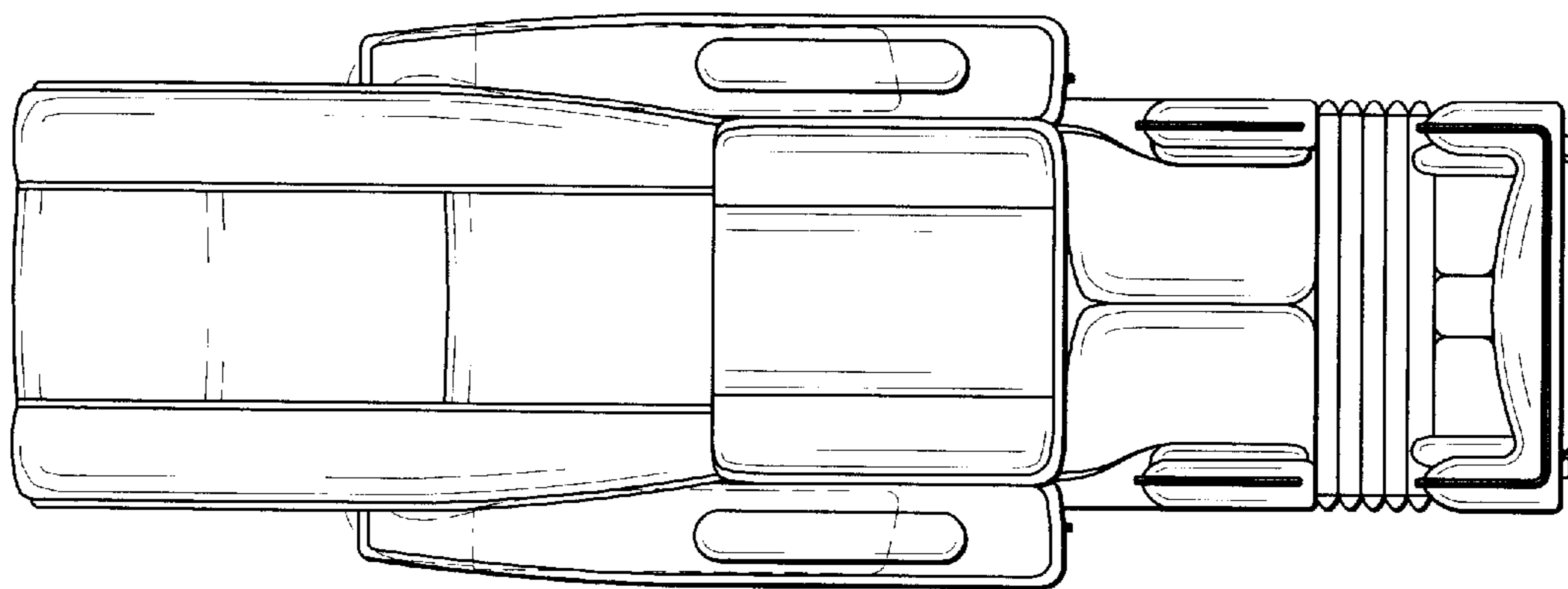


FIG. 42

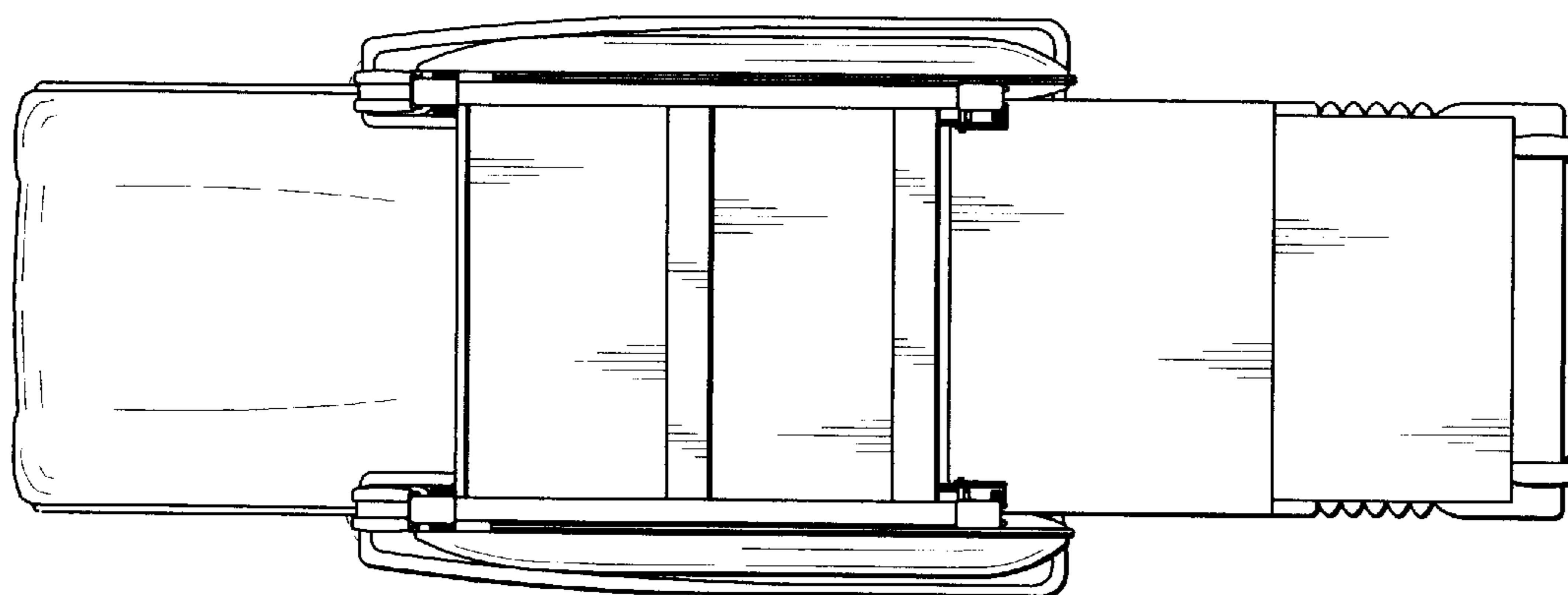


FIG. 43

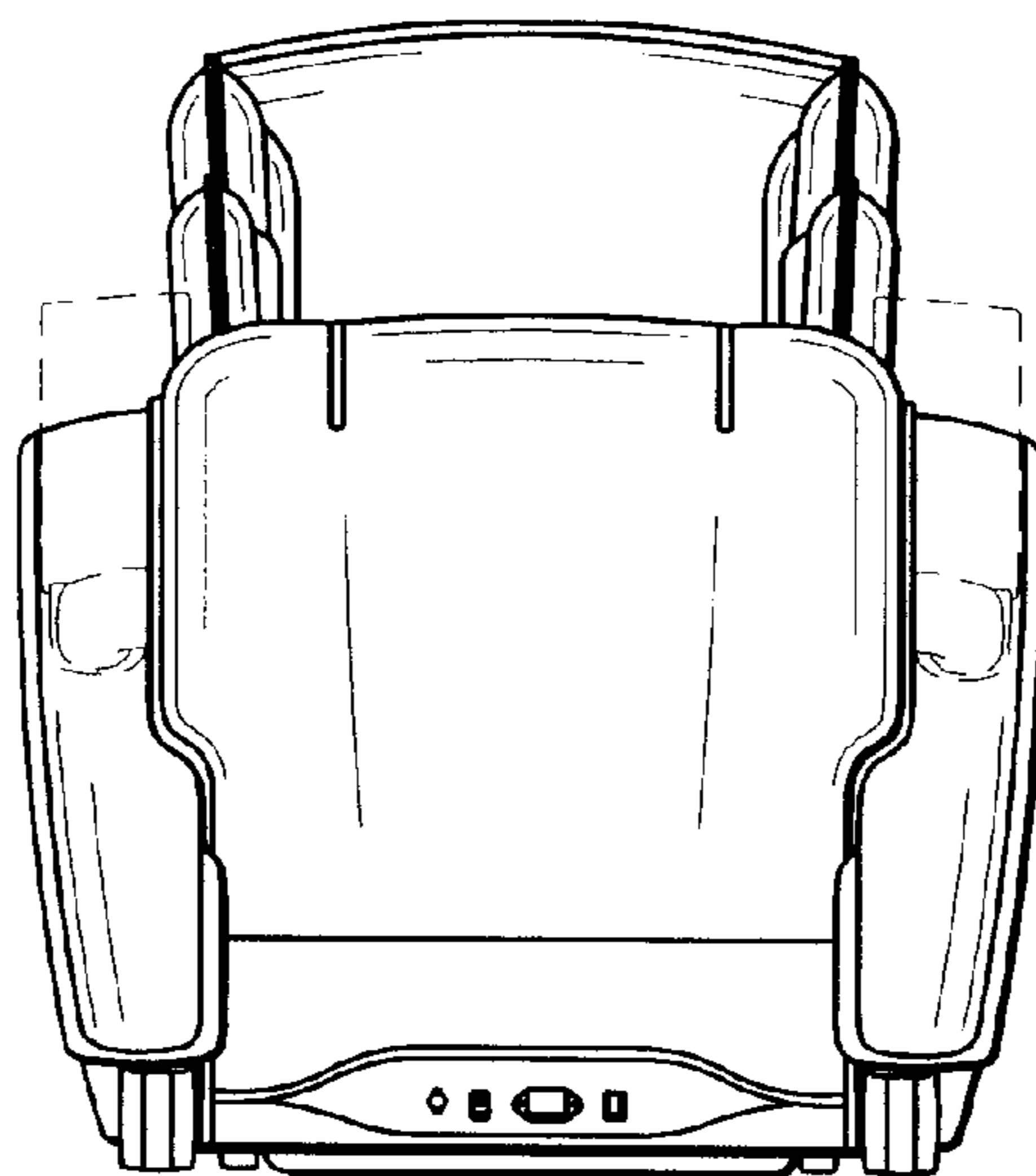


FIG. 44

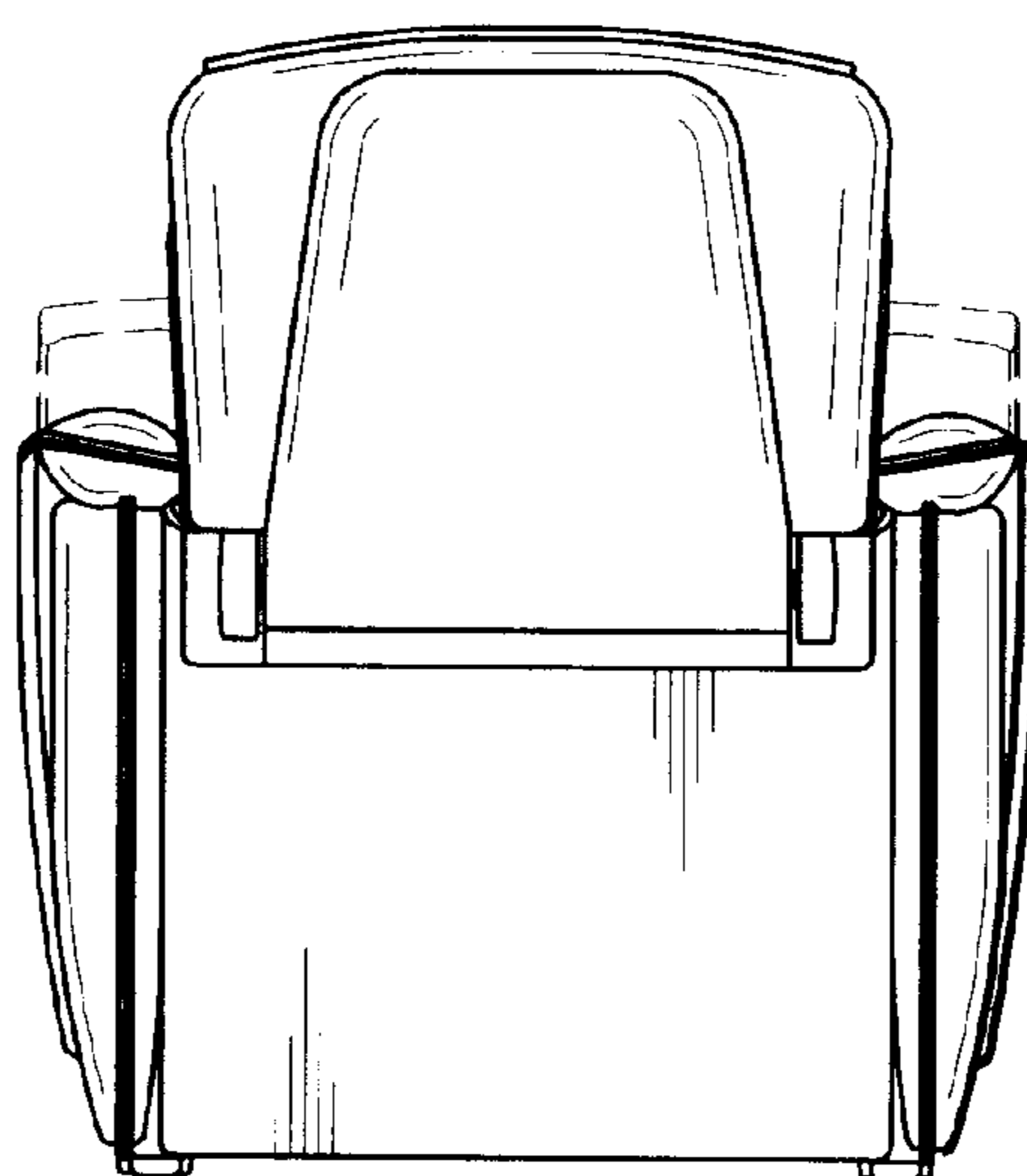


FIG. 45

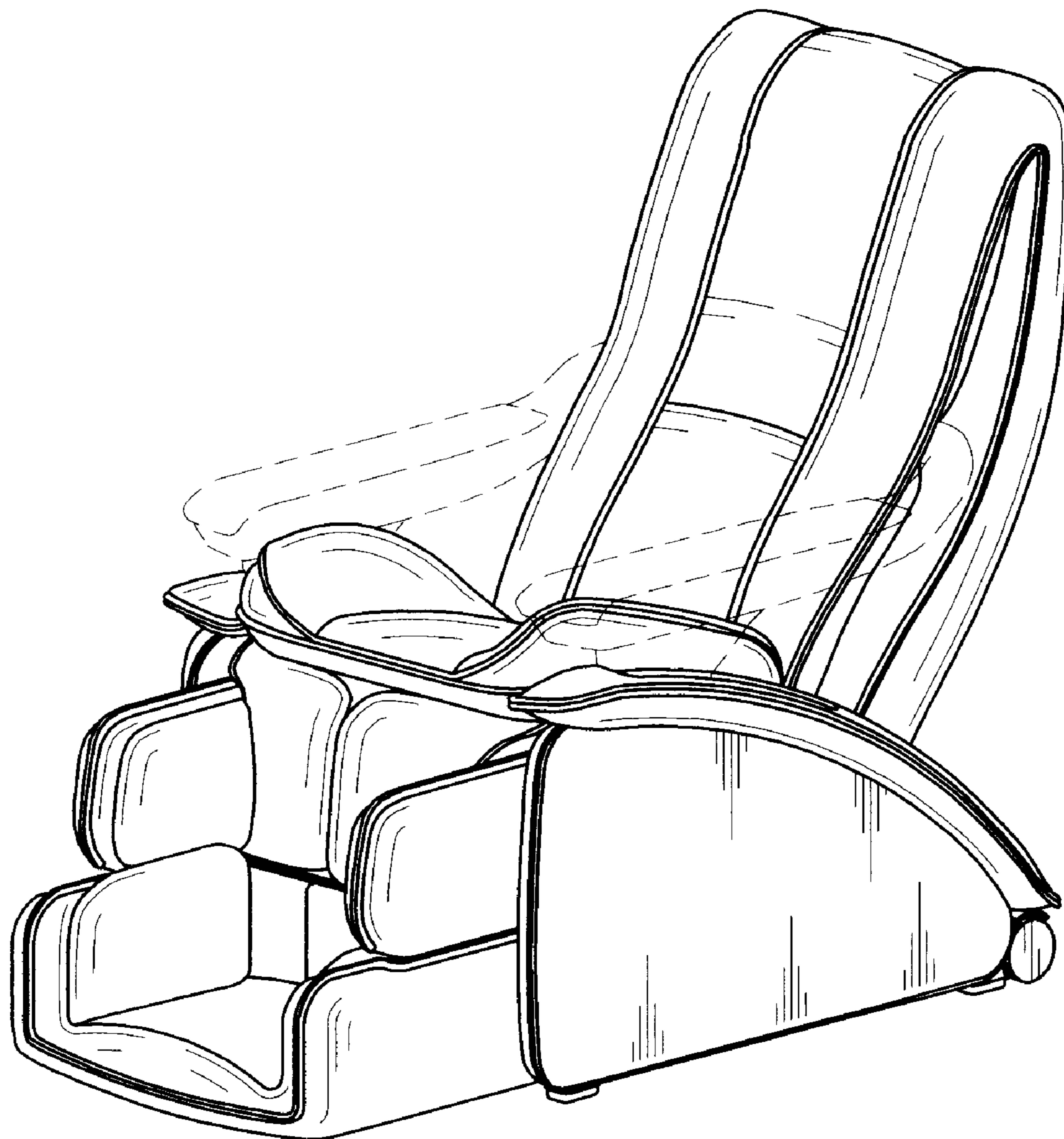


FIG. 46