



US00D537638S

(12) **United States Design Patent**  
**Kamioka**

(10) **Patent No.:** **US D537,638 S**  
(45) **Date of Patent:** **\*\* Mar. 6, 2007**

(54) **FRAME FOR A T-SHIRT**

(75) Inventor: **Yuji Kamioka**, Tokyo (JP)

(73) Assignee: **Cedge, Inc.**, Tokyo (JP)

(\*\*) Term: **14 Years**

(21) Appl. No.: **29/228,922**

(22) Filed: **Apr. 29, 2005**

(30) **Foreign Application Priority Data**

Nov. 26, 2004 (JP) ..... 2004-036197

(51) **LOC (8) Cl.** ..... **06-07**

(52) **U.S. Cl.** ..... **D6/303**

(58) **Field of Classification Search** ..... D6/300-314;  
D2/717; 40/700, 734, 736  
See application file for complete search history.

(56) **References Cited**

**U.S. PATENT DOCUMENTS**

D506,876 S \* 7/2005 Mohundro ..... D6/300  
D521,682 S \* 5/2006 Chen ..... D27/148  
D524,516 S \* 7/2006 Saruhashi ..... D2/717

\* cited by examiner

*Primary Examiner*—Caron D. Veynar

*Assistant Examiner*—Sydney R. Buffalow

(74) *Attorney, Agent, or Firm*—Andrew F. Young;  
Lackenbach Siegel, LLP

(57) **CLAIM**

The ornamental design for a frame for a T-shirt, as shown and described.

**DESCRIPTION**

The present invention is a design for a frame for displaying a T-shirt. Inside of a wooden frame is glass, and the T-shirt is placed in the frame and shown through the glass from both sides.

FIG. 1 is a perspective view of a frame for a t-shirt.

FIG. 2 is a front elevation view of FIG. 1.

FIG. 3 is a rear elevation view of FIG. 1.

FIG. 4 is a top plan view of FIG. 1.

FIG. 5 is a bottom plan view of FIG. 1.

FIG. 6 is a right side elevational view of FIG. 1.

FIG. 7 is a left side elevational view of FIG. 1.

FIG. 8 is a longitudinal cross-sectional view of the central part of the front elevational view of FIG. 1.

FIG. 9 is an enlarged fragmentary view of the invention taken along line 9—9 in FIG. 8.

FIG. 10 is an enlarged fragmentary view of the invention taken along line 10—10 in FIG. 8.

FIG. 11 is a rear view of the front board with the rear board removed shown separate for the convenience of illustration.

FIG. 12 is an enlarged cross sectional view taken along line 12—12 in FIG. 11 shown separate for the convenience of illustration.

FIG. 13 is a perspective view of the front side of the invention shown during use; and,

FIG. 14 is a perspective view of the rear side of the invention shown during use.

The broken lines are for illustrative purposes only and form no part of the claimed design.

**1 Claim, 14 Drawing Sheets**

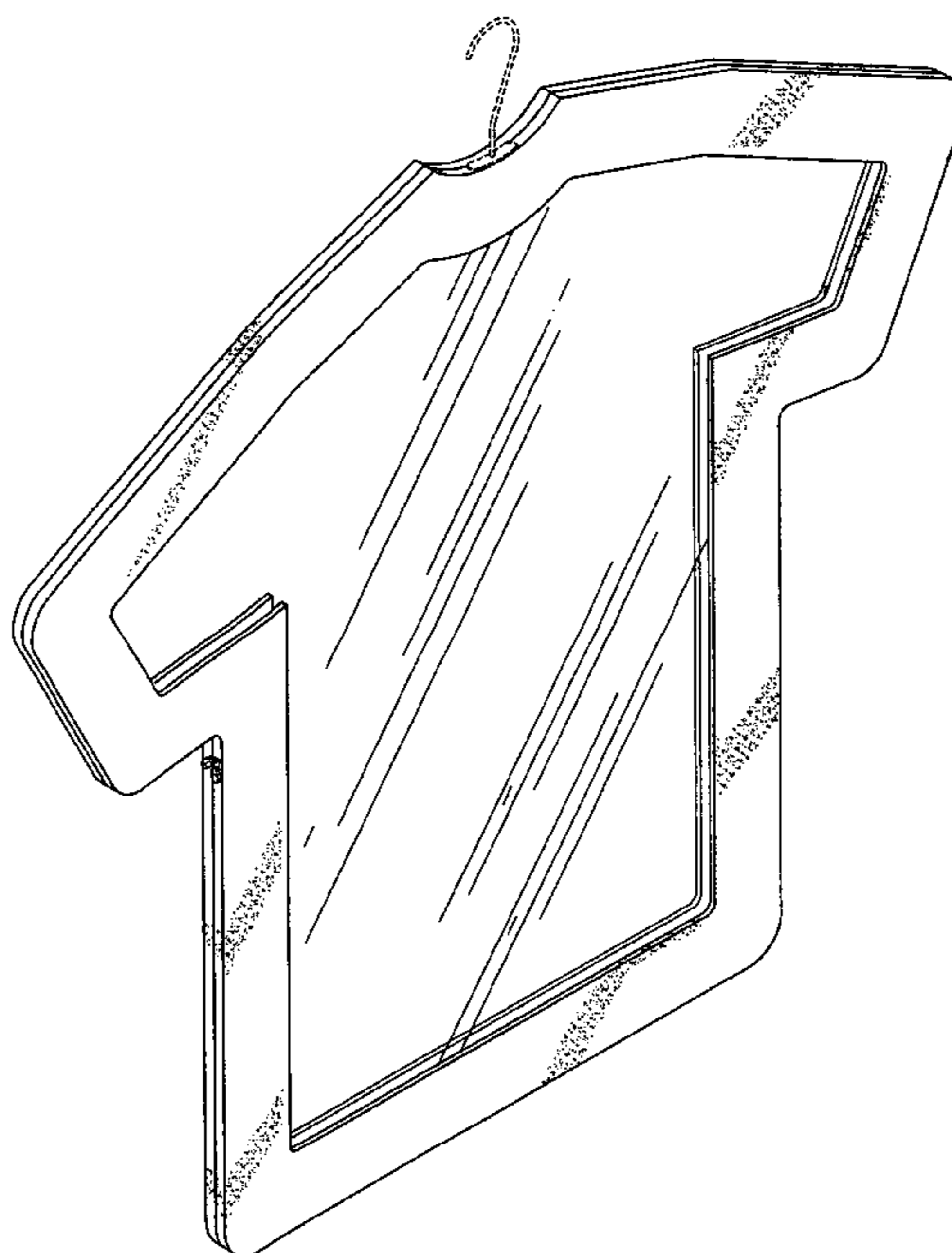


FIG. 1

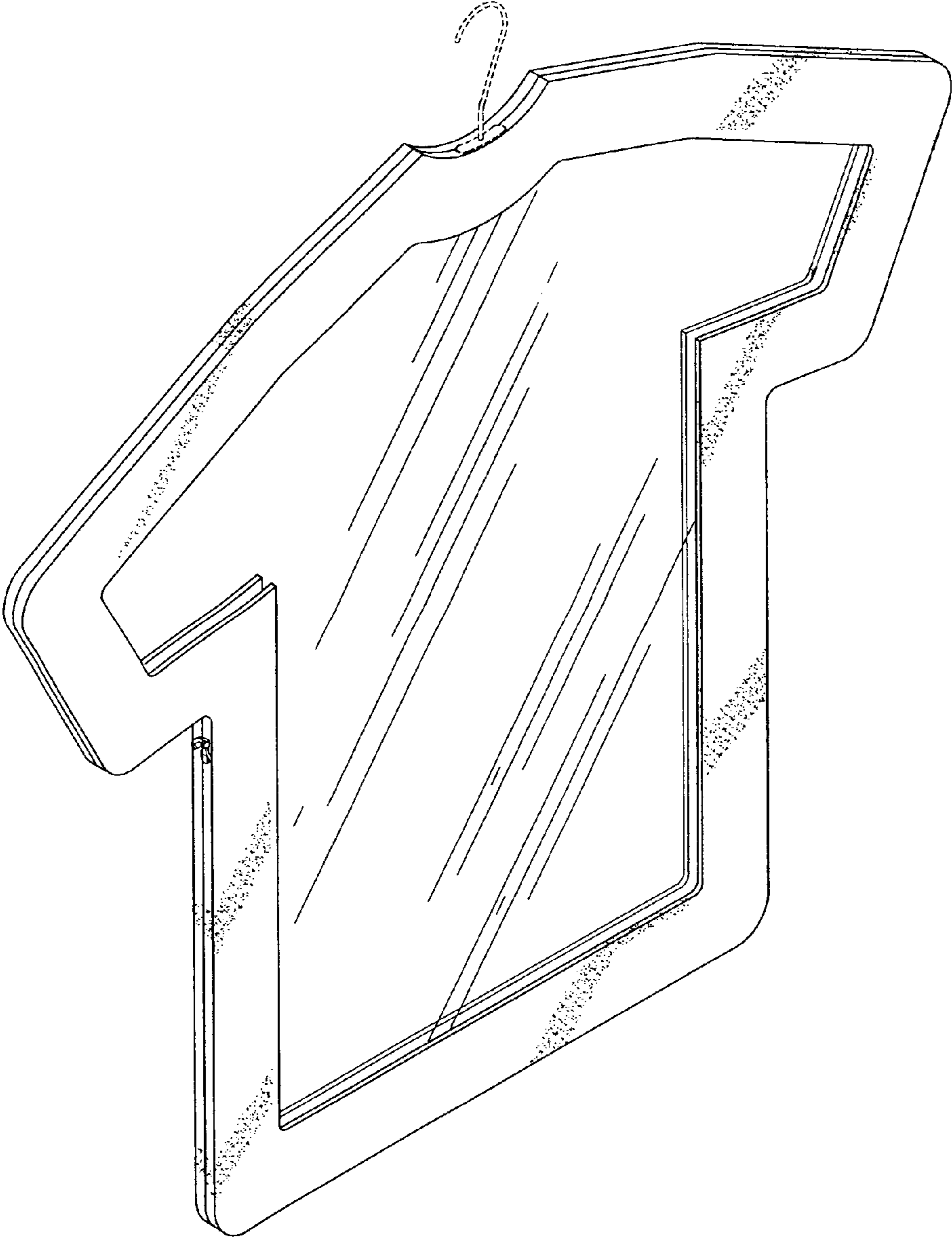


FIG. 2

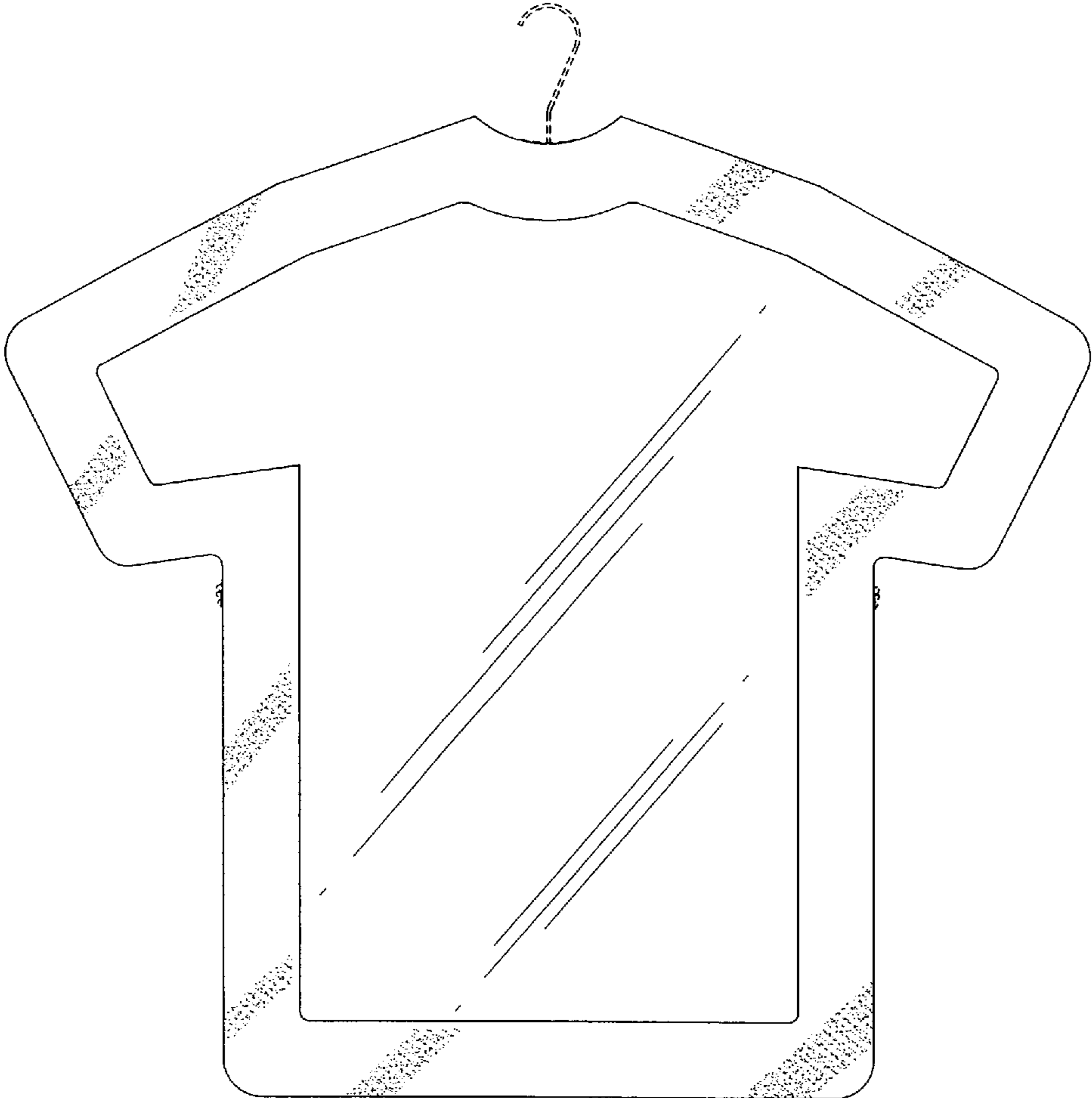


FIG. 3

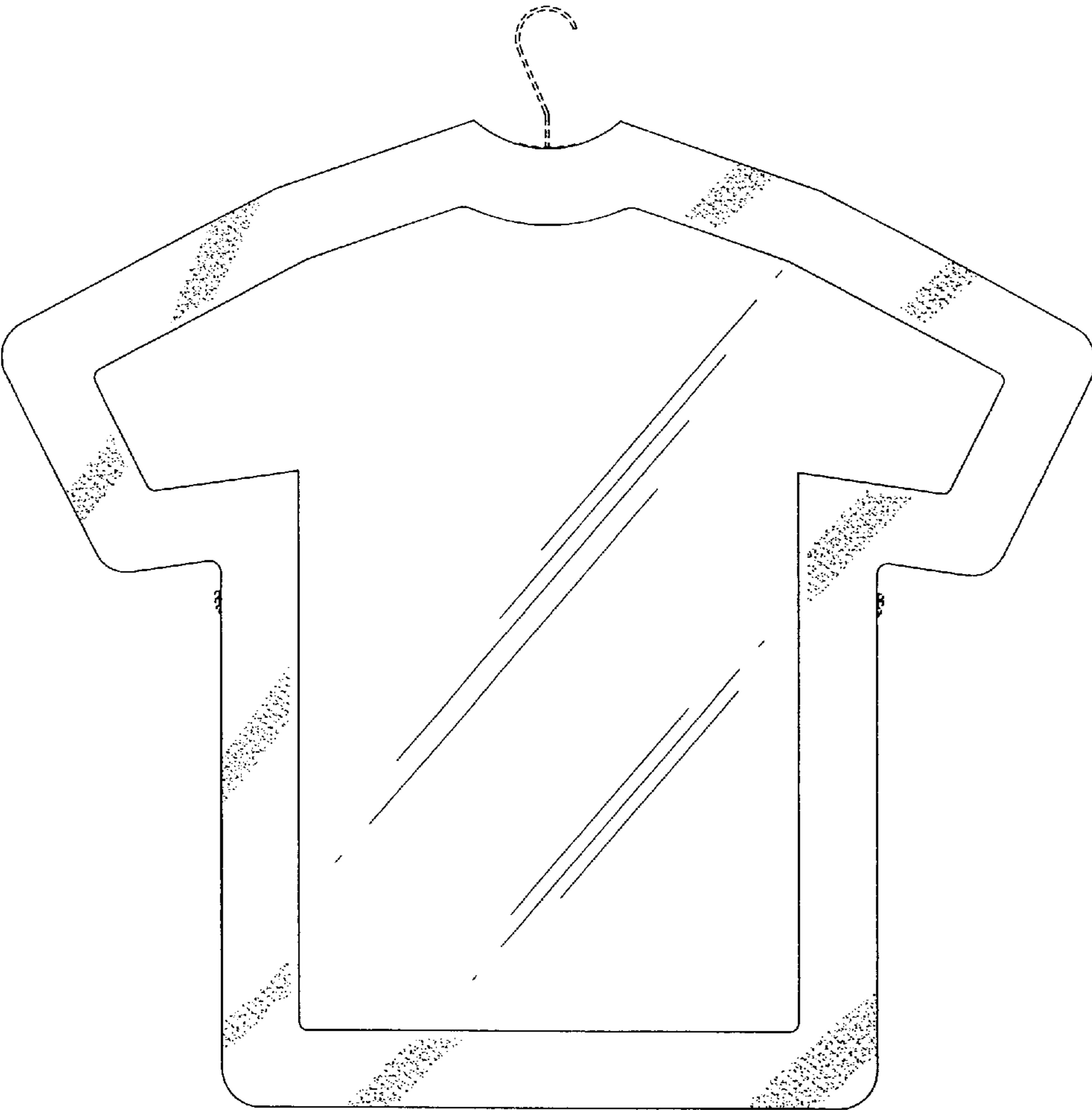


FIG. 4

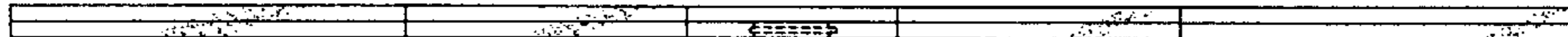


FIG. 5

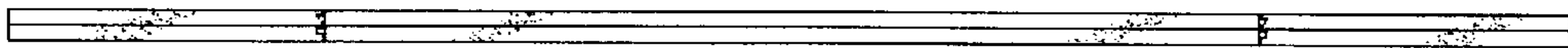


FIG. 6



FIG. 7





FIG. 8

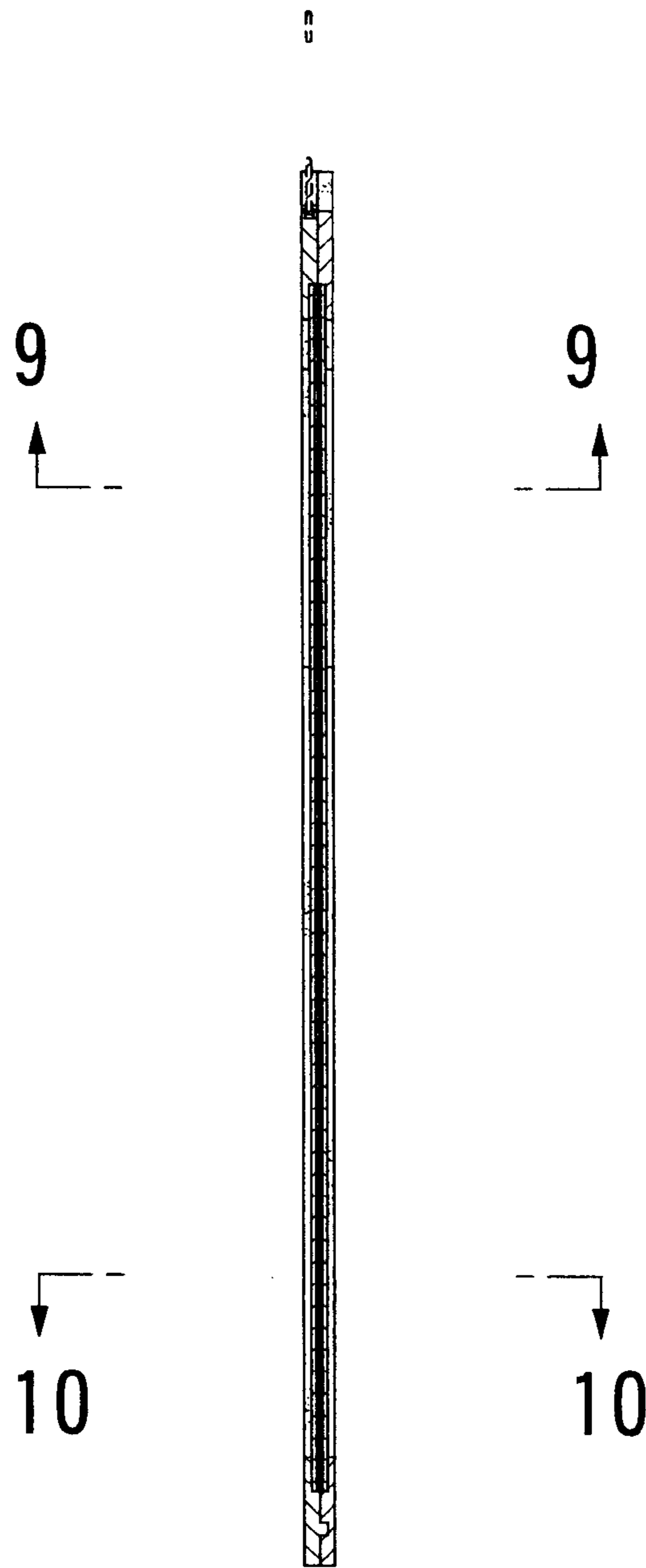


FIG. 9

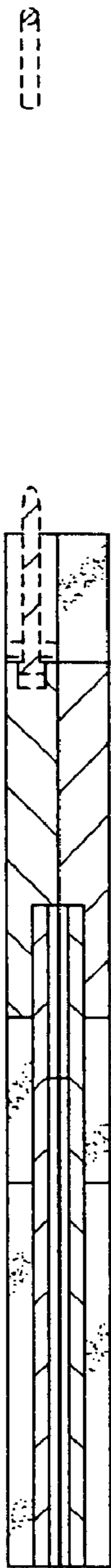


FIG. 10

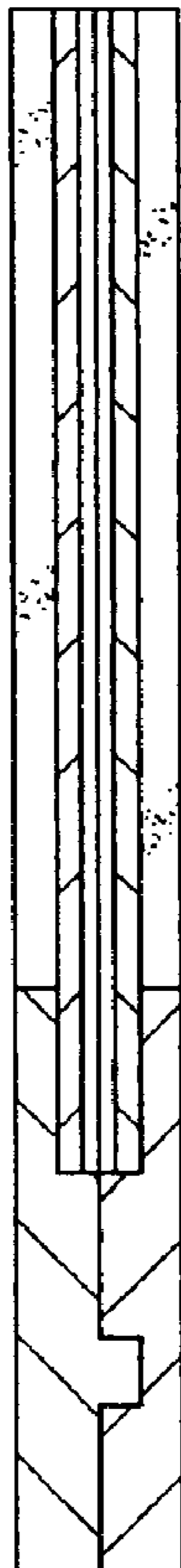


FIG. 11

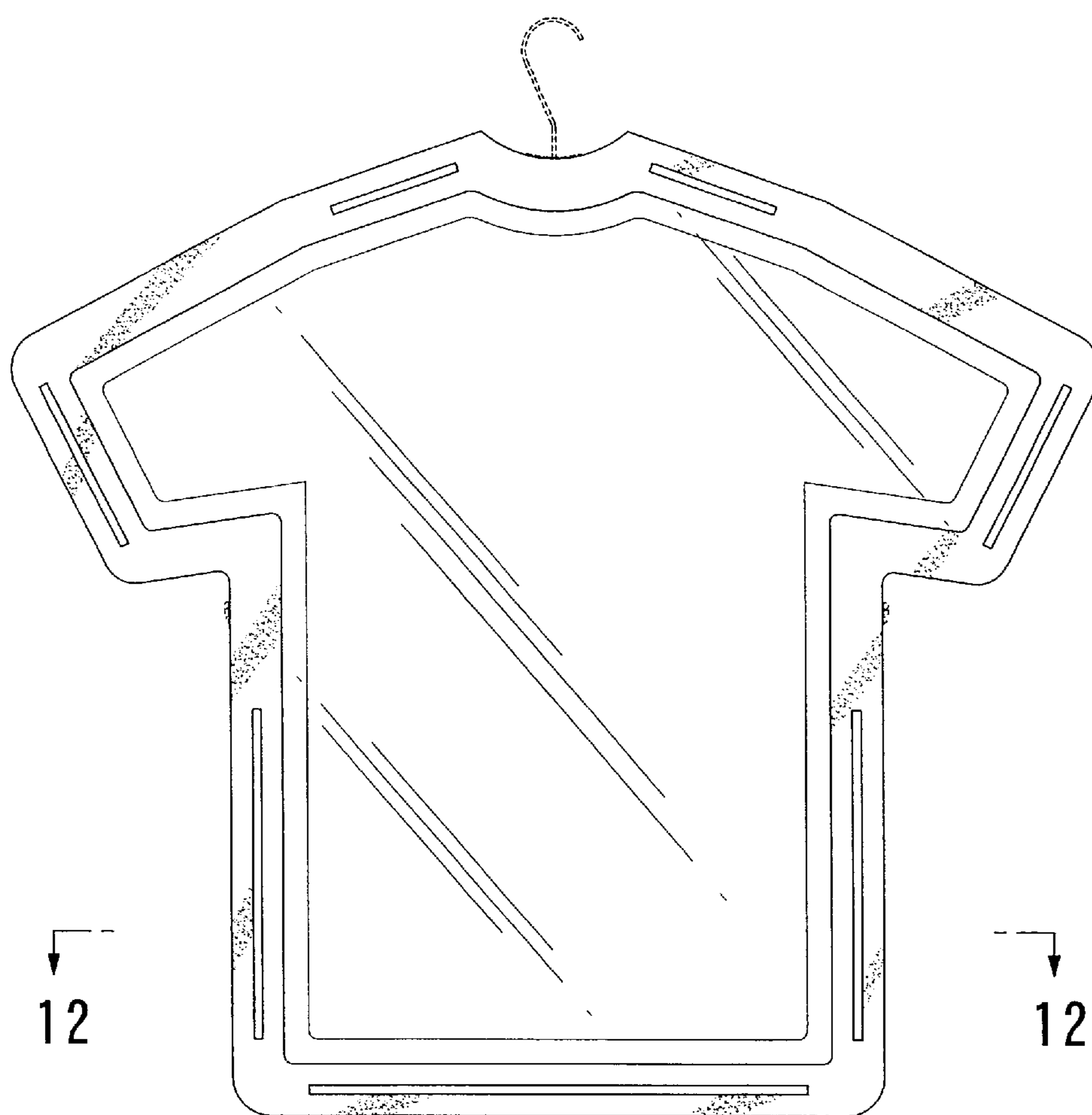


FIG. 12

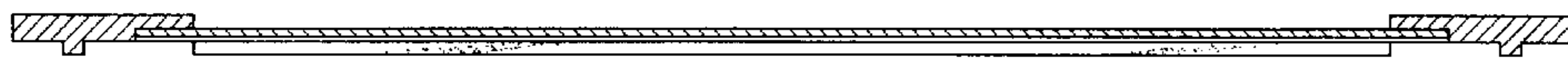


FIG. 13

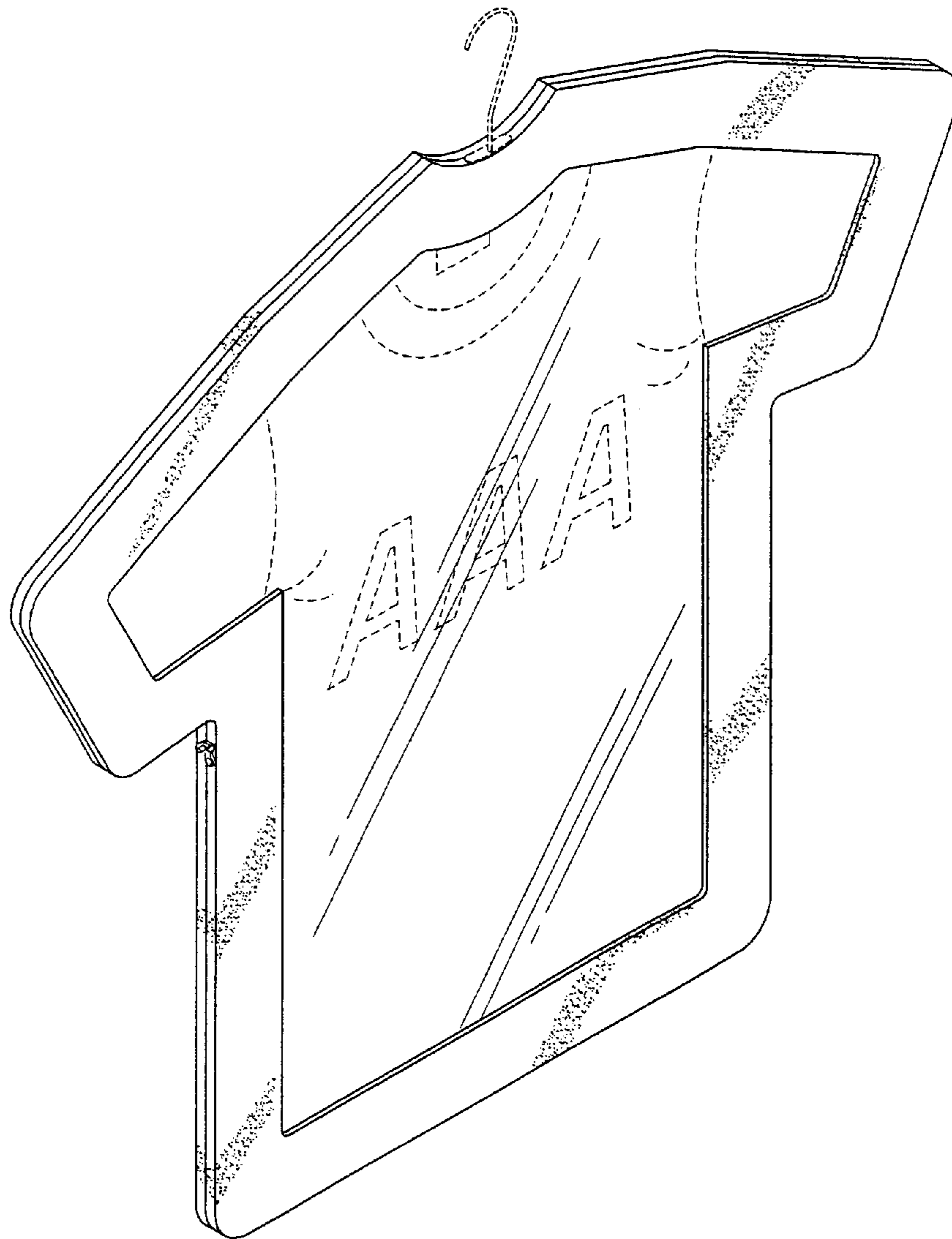


FIG. 14

