



US00D537635S

(12) **United States Design Patent**  
**Vosloo et al.**

(10) **Patent No.:** **US D537,635 S**  
(45) **Date of Patent:** **\*\* Mar. 6, 2007**

(54) **DIVIDER FOR A TOP CUFF FOR A GOLF BAG**

(75) Inventors: **Clint Vosloo**, Suwanee, GA (US);  
**Andreas Kikidas**, Cobham (GB)

(73) Assignee: **Mizuno Corporation**, Osaka (JP)

(\*\*) Term: **14 Years**

(21) Appl. No.: **29/236,024**

(22) Filed: **Aug. 10, 2005**

(51) **LOC (8) Cl.** ..... **03-01**

(52) **U.S. Cl.** ..... **D3/320**

(58) **Field of Classification Search** ..... D3/318,  
D3/319, 320, 321, 328, 328.1, 254, 255;  
150/159, 160; 206/315.2, 315.3, 315.4, 315.5,  
206/315.6, 315.7, 315.8, 315.11; 211/70.2;  
248/96; 280/DIG. 6; 473/287  
See application file for complete search history.

(56) **References Cited**

**U.S. PATENT DOCUMENTS**

D501,604 S \* 2/2005 Kadoya ..... D3/320  
D512,838 S \* 12/2005 Schmidt et al. .... D3/320  
D513,876 S \* 1/2006 Solheim et al. .... D3/320

D513,877 S \* 1/2006 Solheim et al. .... D3/320  
D520,751 S \* 5/2006 Chang ..... D3/320  
2005/0115851 A1 \* 6/2005 Kadoya ..... 206/315.6

\* cited by examiner

*Primary Examiner*—Louis S. Zarfes

*Assistant Examiner*—Monica A. Weingart

(74) *Attorney, Agent, or Firm*—Troutman Sanders LLP;  
Gerald R. Boss

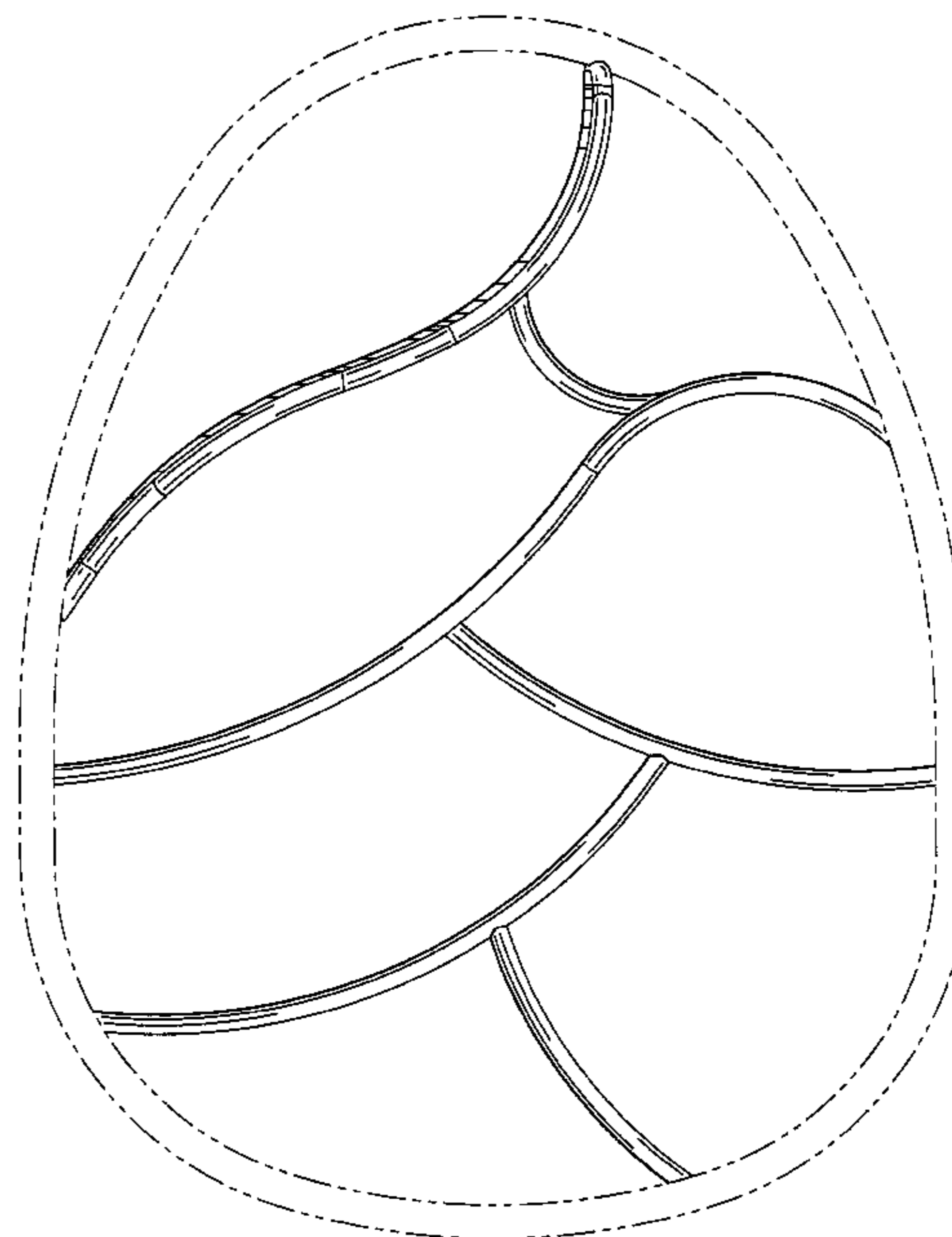
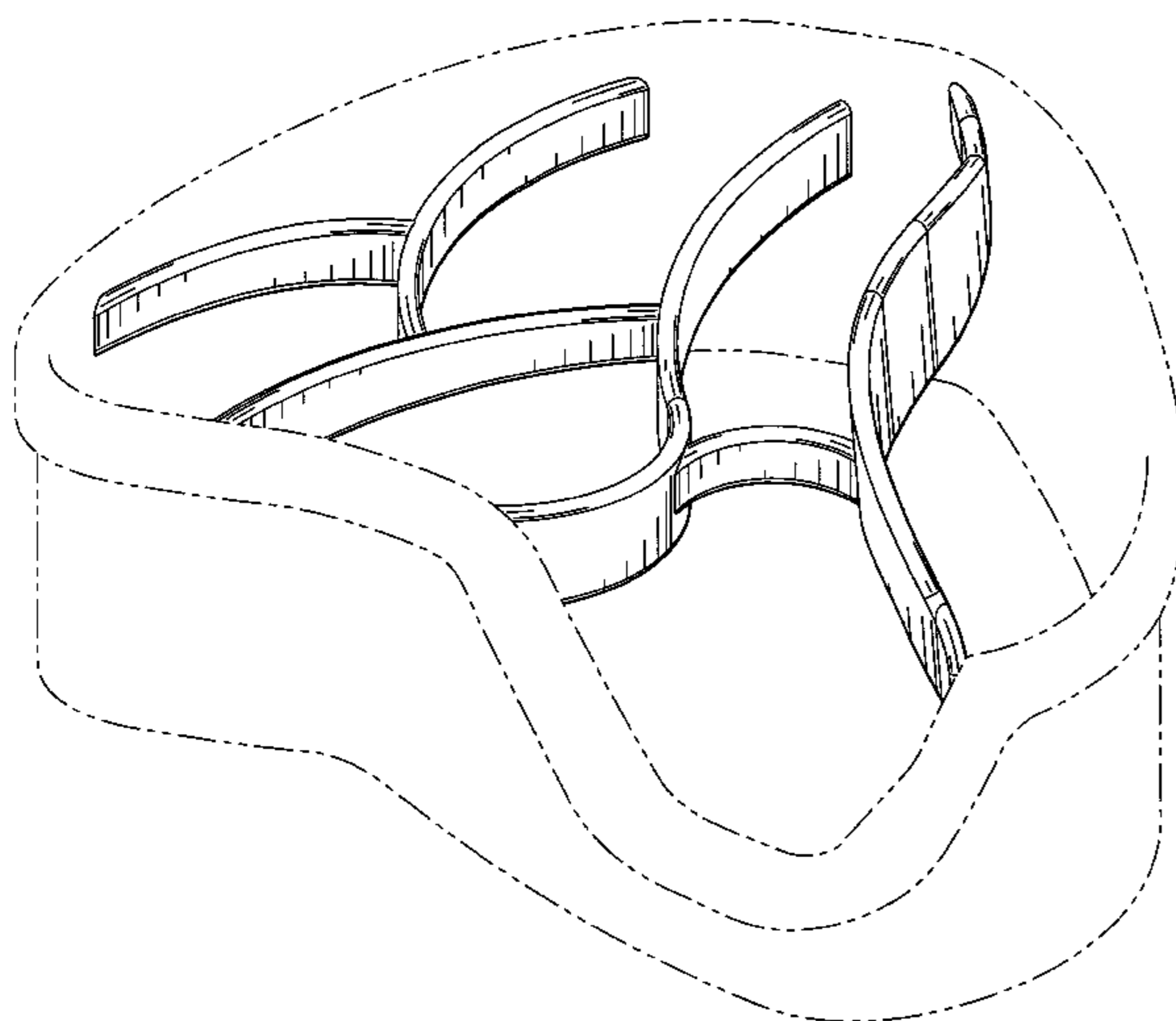
(57) **CLAIM**

The ornamental design for a divider for a top cuff for a golf bag, as shown and described.

**DESCRIPTION**

FIG. 1 is a perspective view of a divider for a top cuff for a golf bag showing our new design;  
FIG. 2 is a front elevational view thereof;  
FIG. 3 is a right side elevational view thereof;  
FIG. 4 is left side elevational view thereof;  
FIG. 5 is a rear elevational view thereof;  
FIG. 6 is a top plan view thereof; and,  
FIG. 7 is a bottom plan view thereof.  
The broken line showing of the outer rim, in the views, is included for the purpose of illustrating environment and forms no part of the claimed design.

**1 Claim, 7 Drawing Sheets**



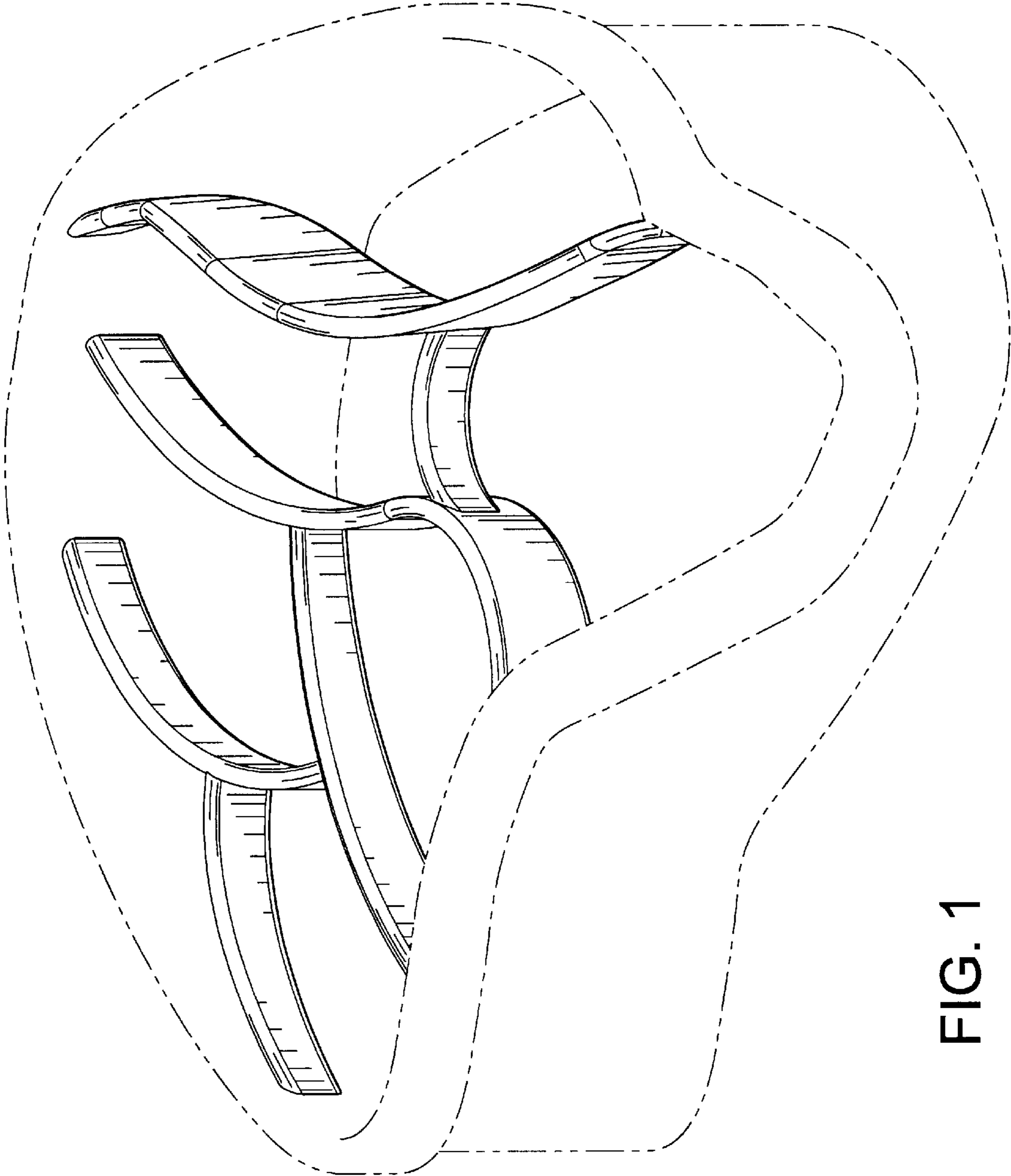


FIG. 1

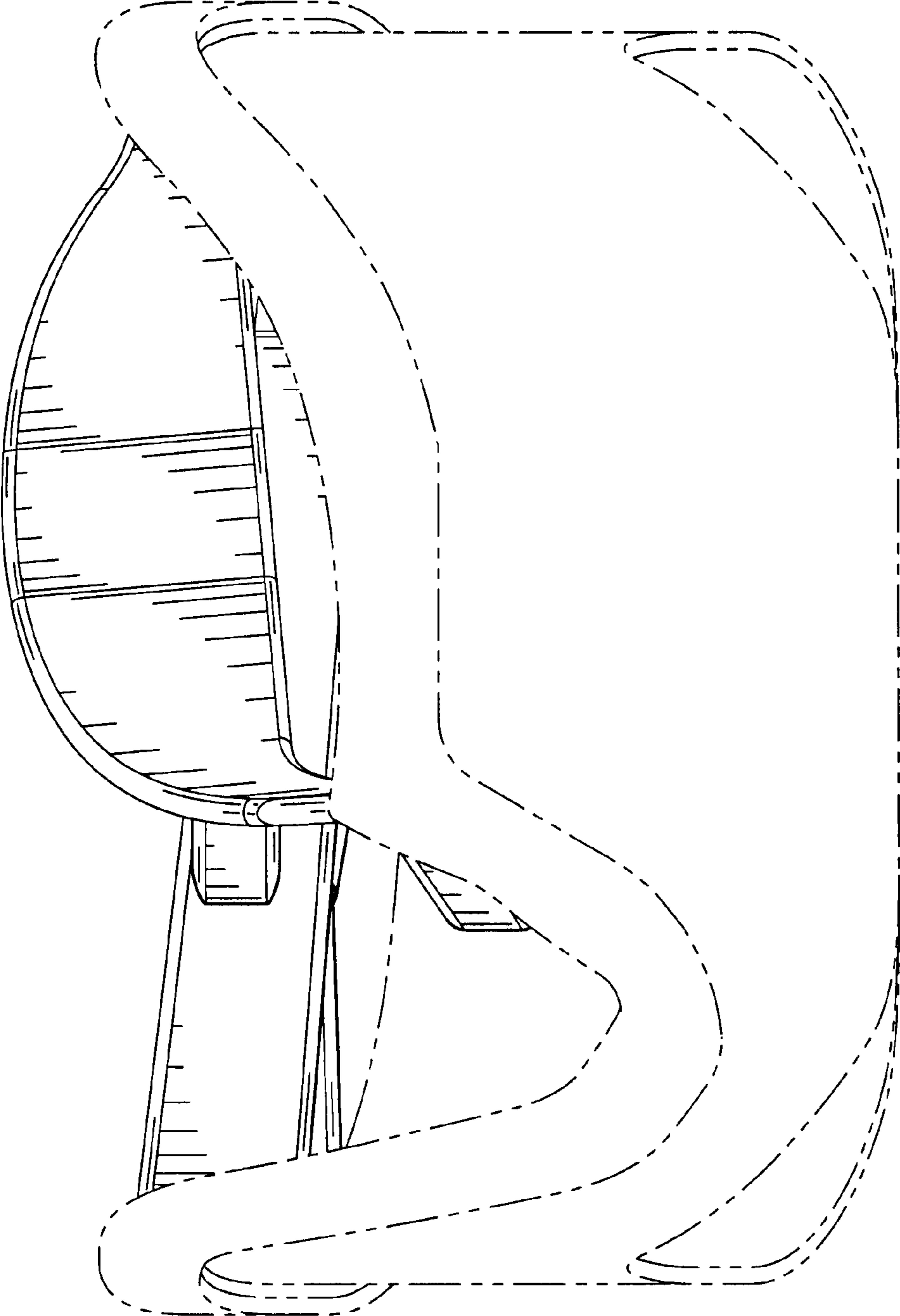


FIG. 2

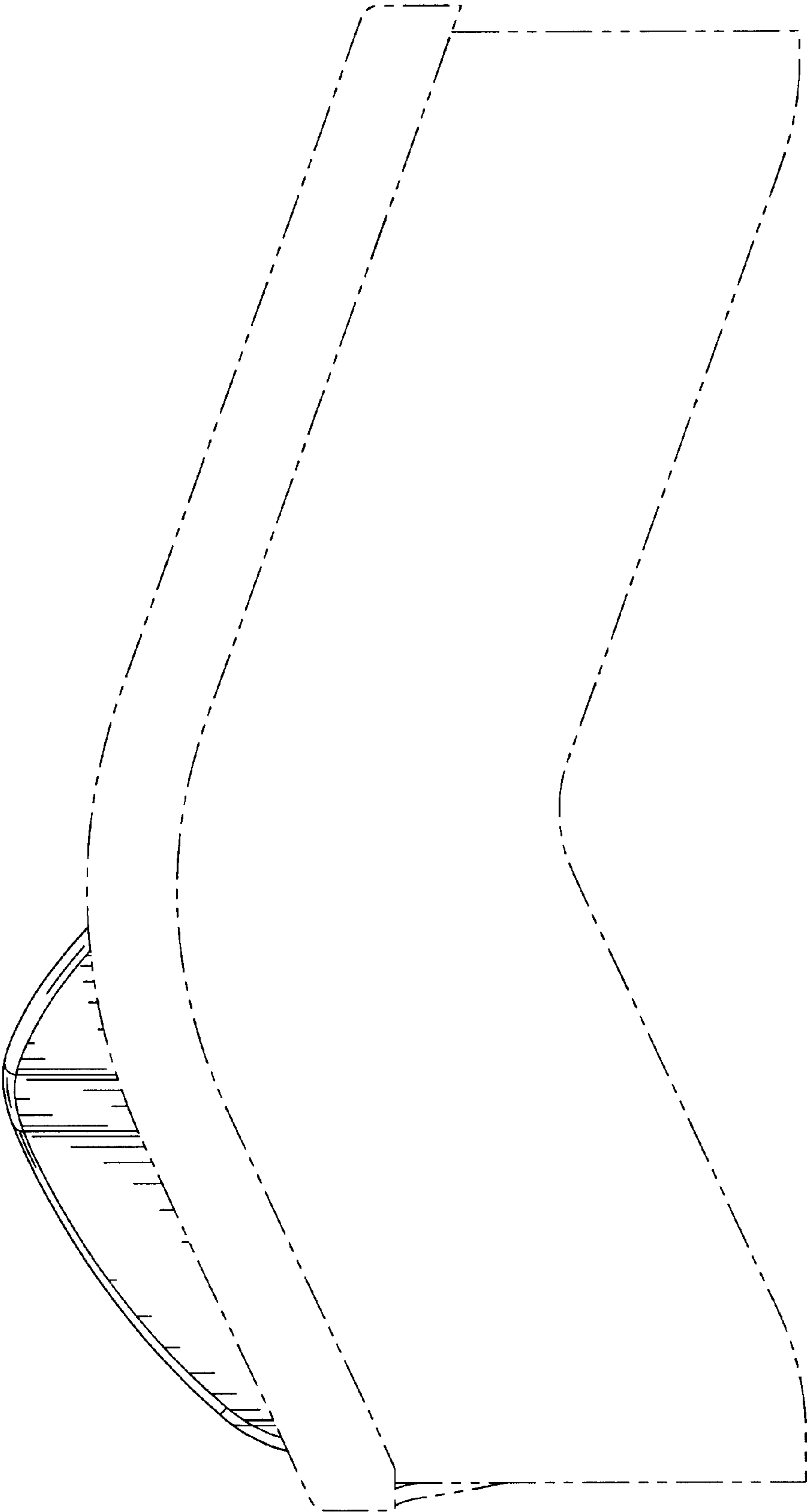


FIG. 3

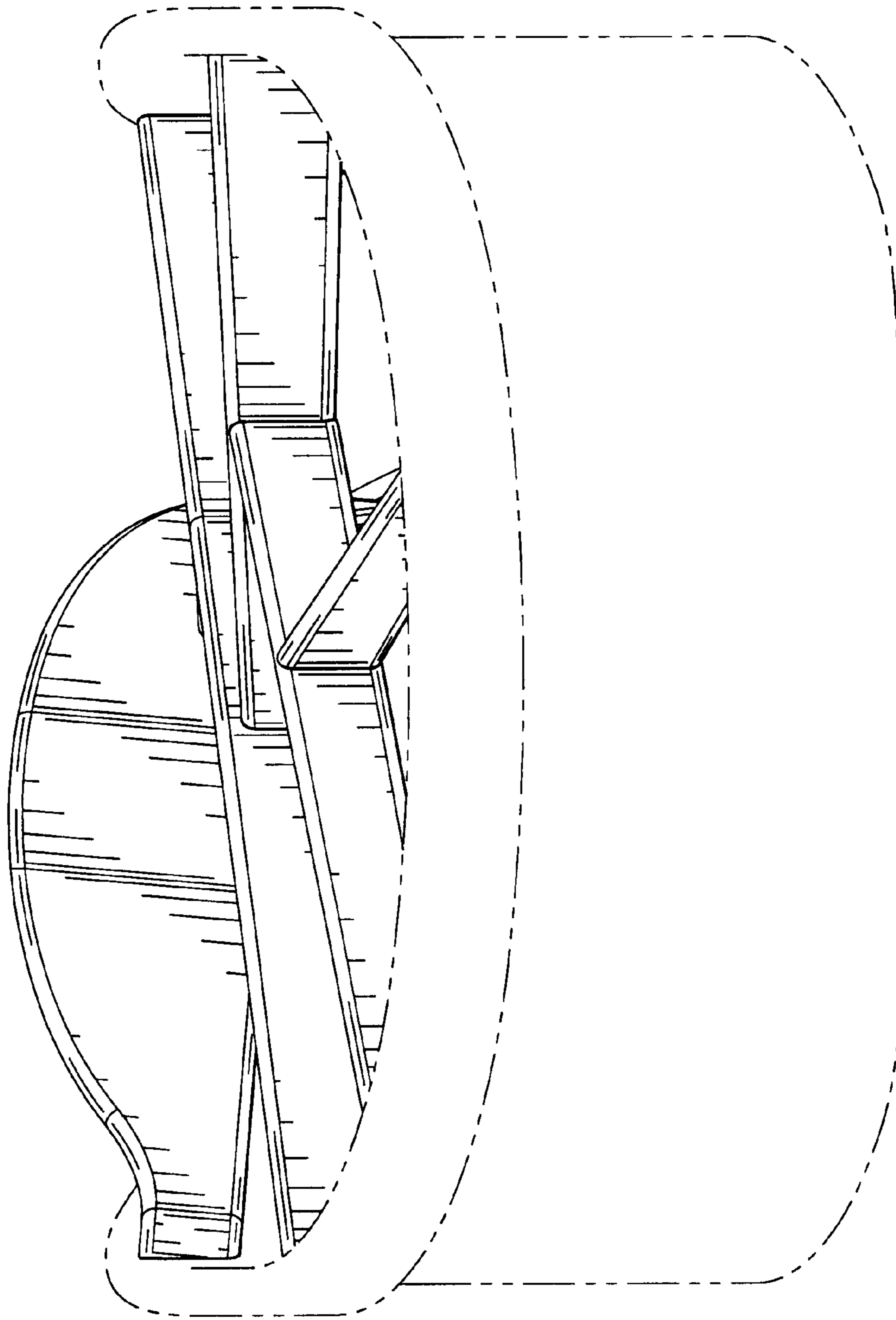


FIG. 4

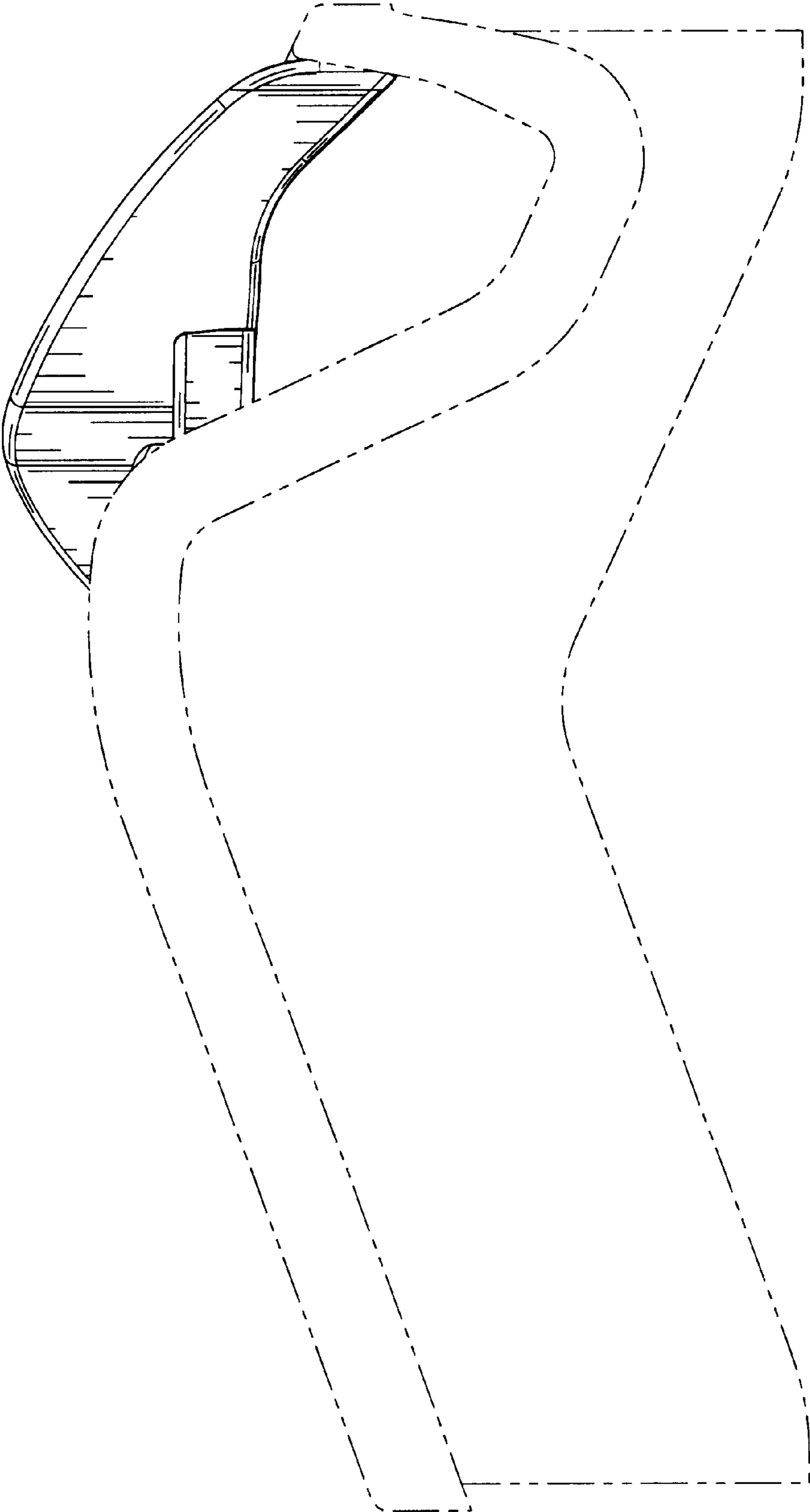


FIG. 5

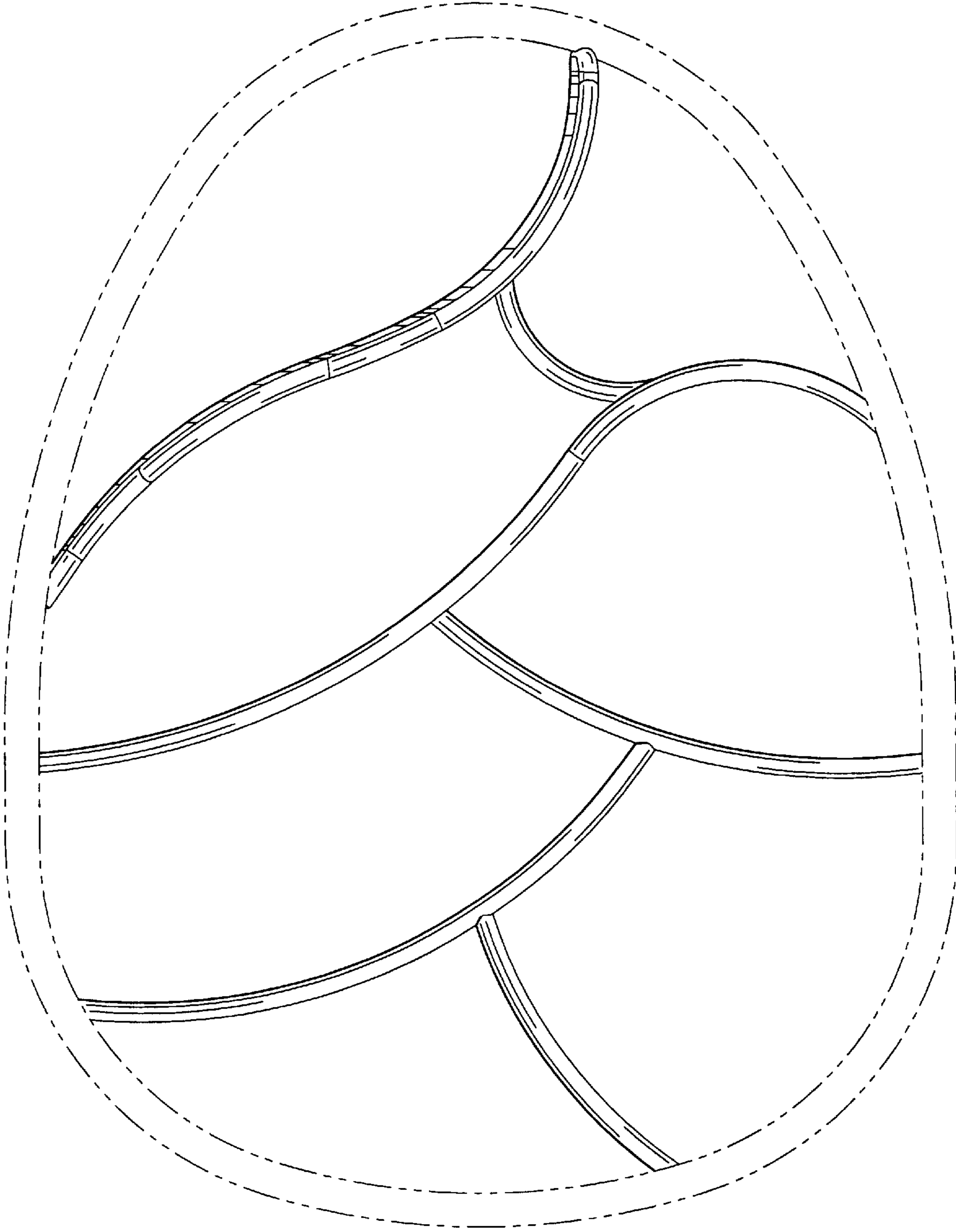


FIG. 6

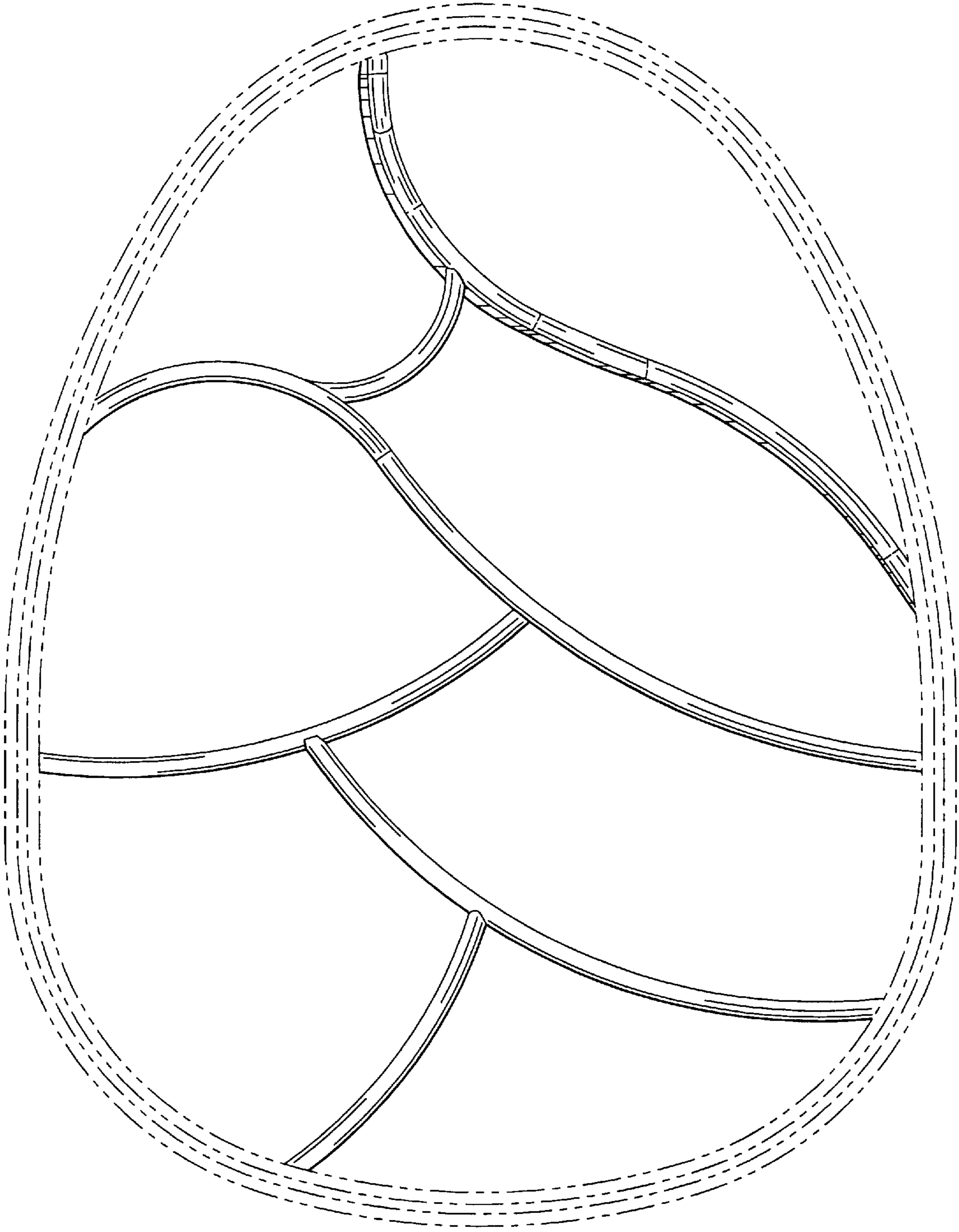


FIG. 7