



US00D537634S

(12) **United States Design Patent**  
**Renahan**

(10) **Patent No.:** **US D537,634 S**

(45) **Date of Patent:** **\*\* Mar. 6, 2007**

(54) **GOLF BAG CLUB DIVIDER**

(75) Inventor: **Michael Renahan**, Penfield, NY (US)

(73) Assignee: **Izzo Golf Inc.**, Macedon, NY (US)

(\*\*) Term: **14 Years**

(21) Appl. No.: **29/219,519**

(22) Filed: **Dec. 17, 2004**

(51) **LOC (8) Cl.** ..... **03-01**

(52) **U.S. Cl.** ..... **D3/320**

(58) **Field of Classification Search** ..... D3/254,  
D3/255, 318, 320, 328, 328.1; 150/159, 160;  
206/315.2, 315.3, 315.4, 315.8; 211/70.2;  
383/87; 280/DIG. 6

See application file for complete search history.

(56) **References Cited**

**U.S. PATENT DOCUMENTS**

D323,741 S	*	2/1992	Antonious	.....	206/315.3
5,226,533 A	*	7/1993	Antonious	.....	206/315.8
D402,469 S	*	12/1998	Suk	.....	D3/320
D412,789 S	*	8/1999	Suk	.....	D3/320
D478,422 S	*	8/2003	Chen	.....	D3/320

D513,878 S \* 1/2006 Anderson et al. .... D3/320

\* cited by examiner

*Primary Examiner*—Louis S. Zarfes

*Assistant Examiner*—Monica A. Weingart

(74) *Attorney, Agent, or Firm*—Neal L. Slifkin

(57) **CLAIM**

The ornamental design for a golf bag club divider, as shown and described.

**DESCRIPTION**

FIG. 1 is a top plan view of a golf bag club divider showing my new design;

FIG. 2 is a bottom plan view thereof;

FIG. 3 is a front elevational view thereof;

FIG. 4 is a rear elevational view thereof;

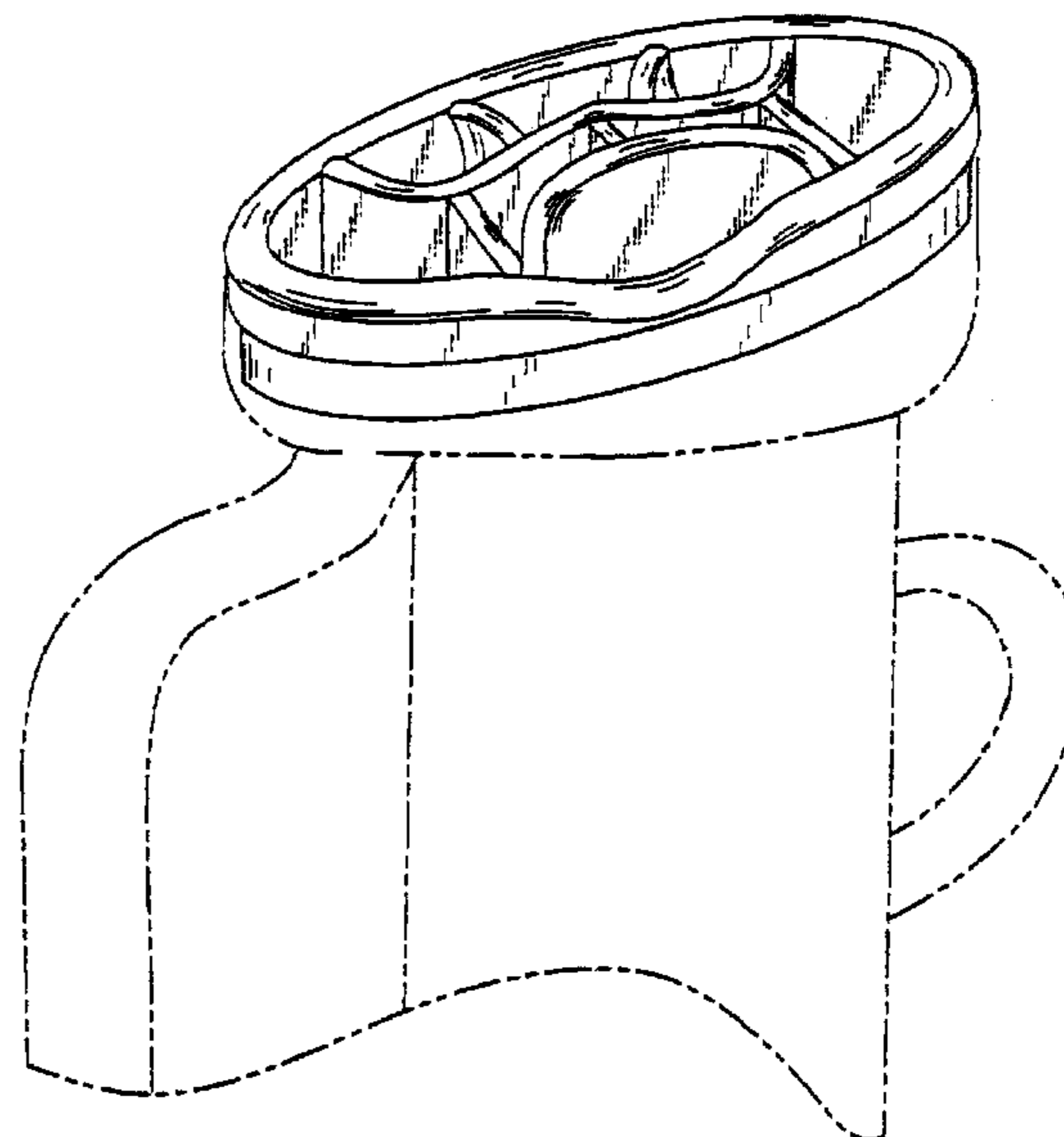
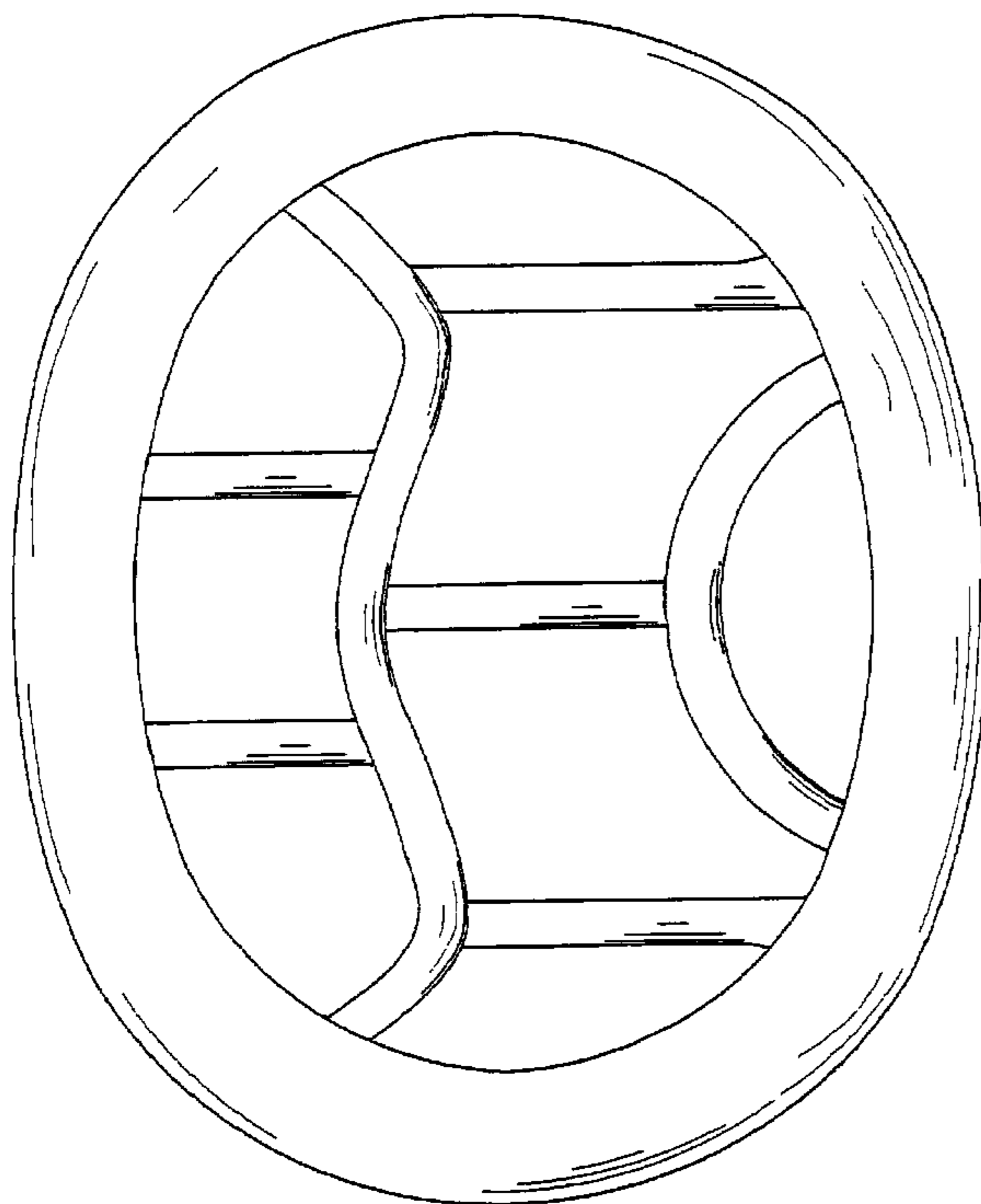
FIG. 5 is a left side elevational view thereof;

FIG. 6 is a right side elevational view thereof; and,

FIG. 7 is perspective view thereof.

The broken line showing of a partial golf bag, in FIG. 7, is for illustrative purposes only and forms no part of the claimed design.

**1 Claim, 7 Drawing Sheets**



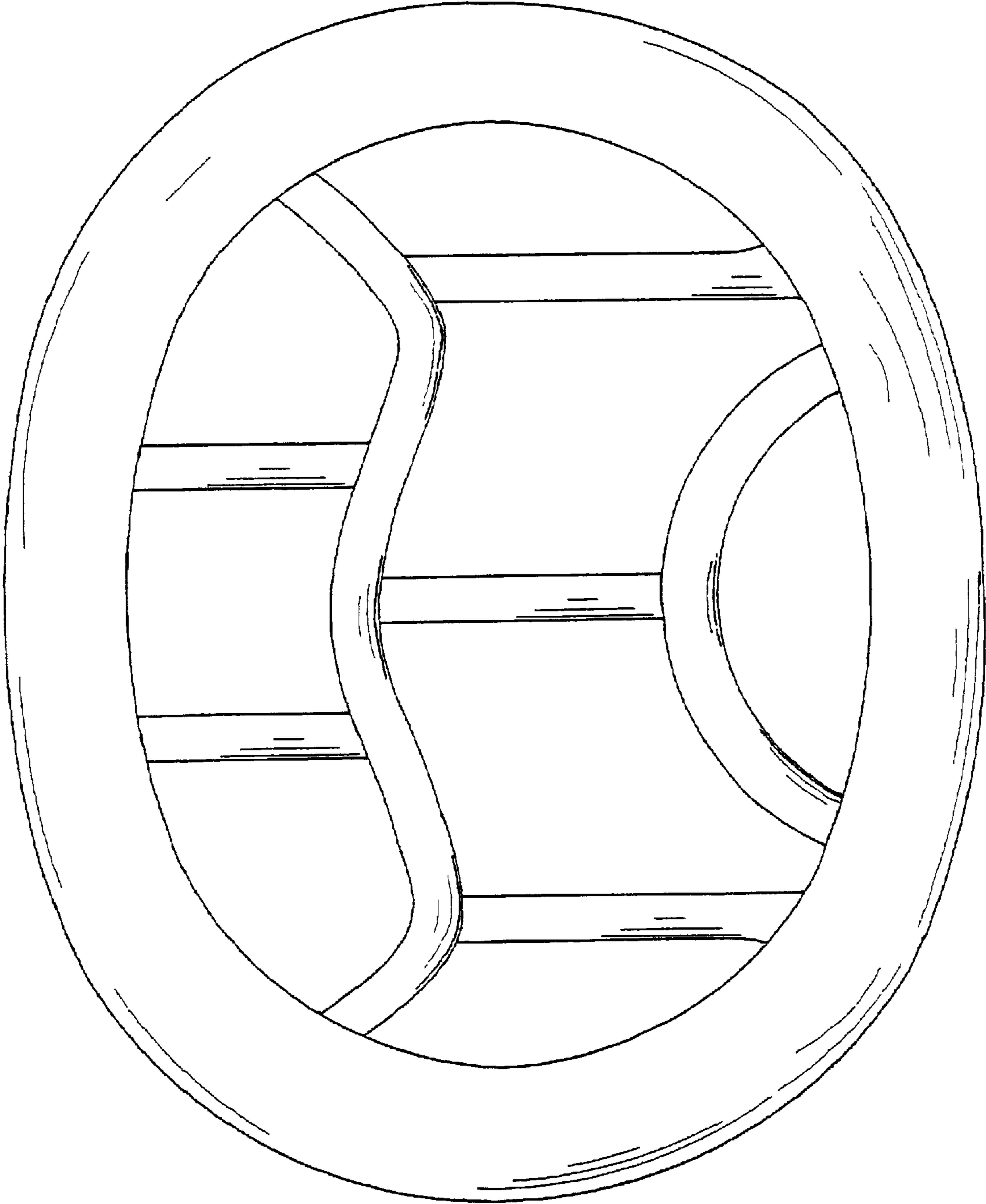


FIG. 1

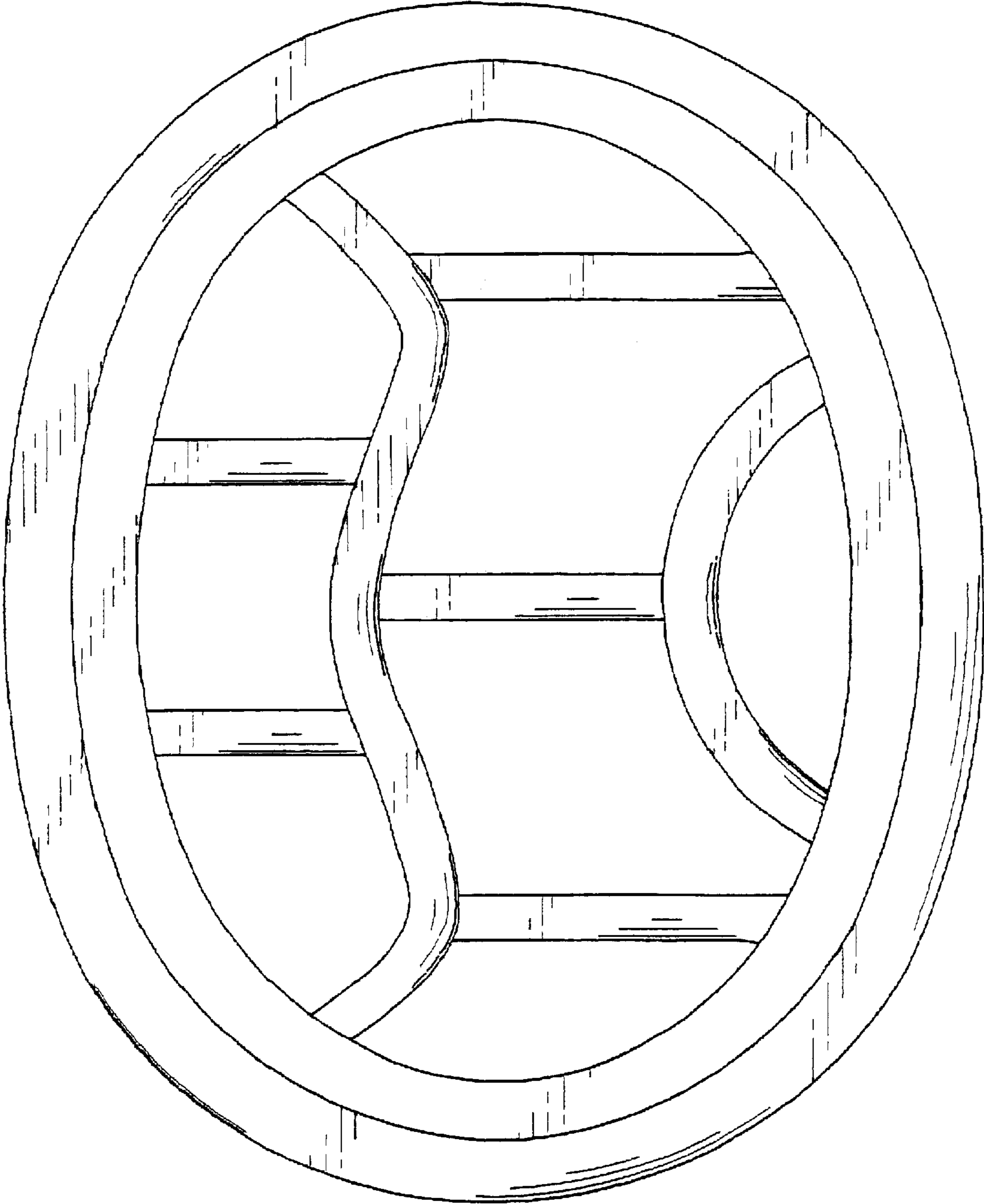
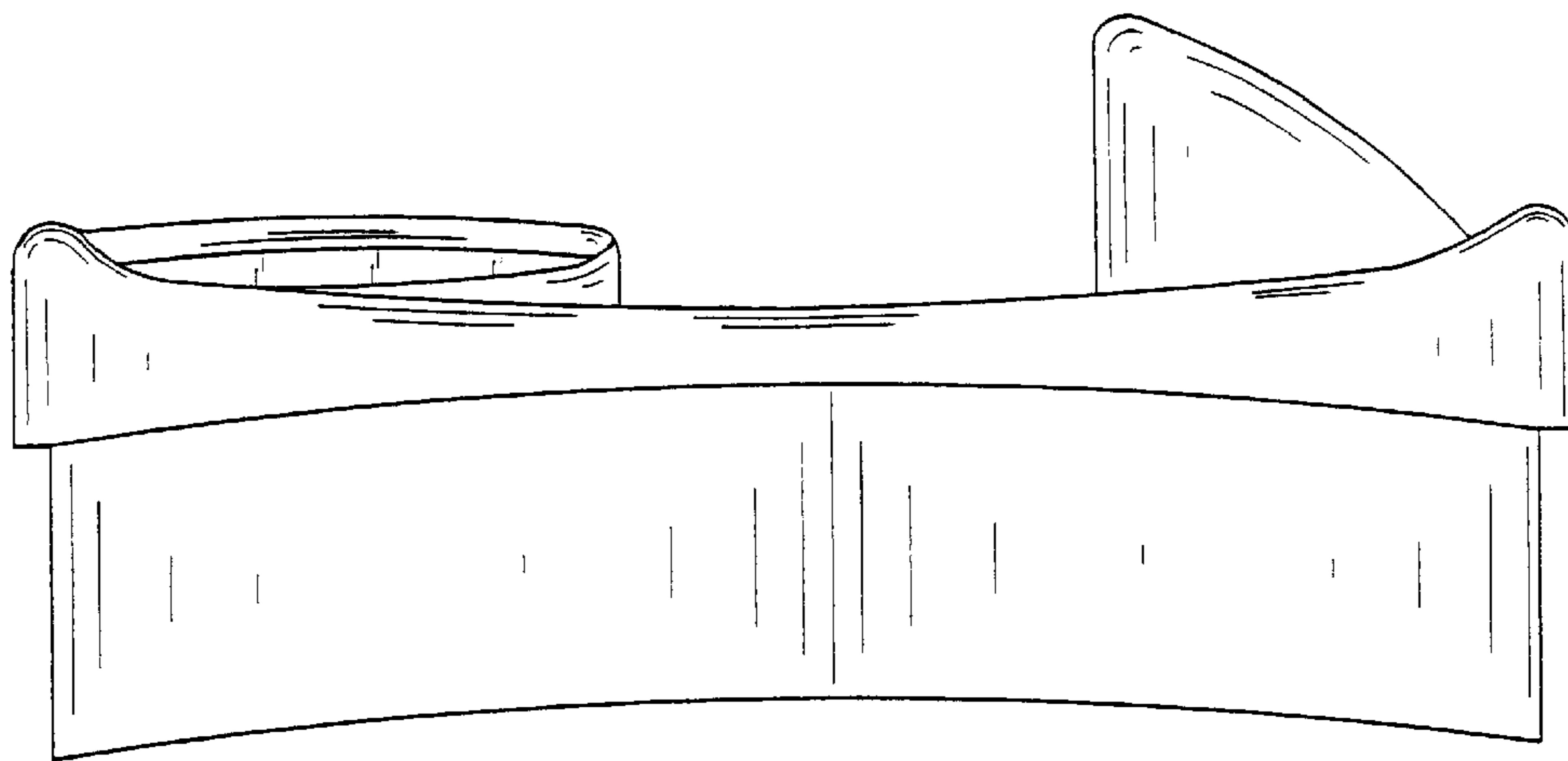
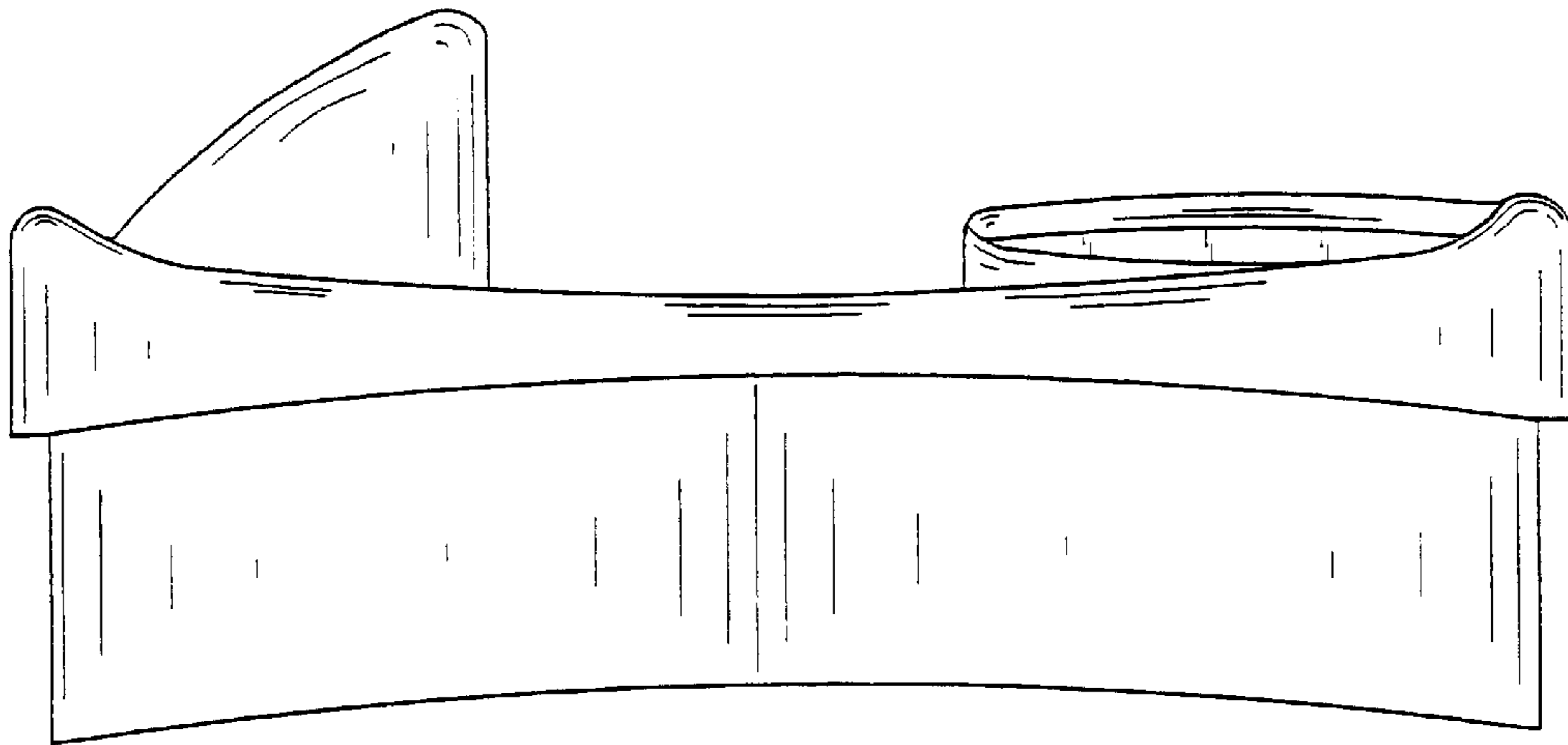


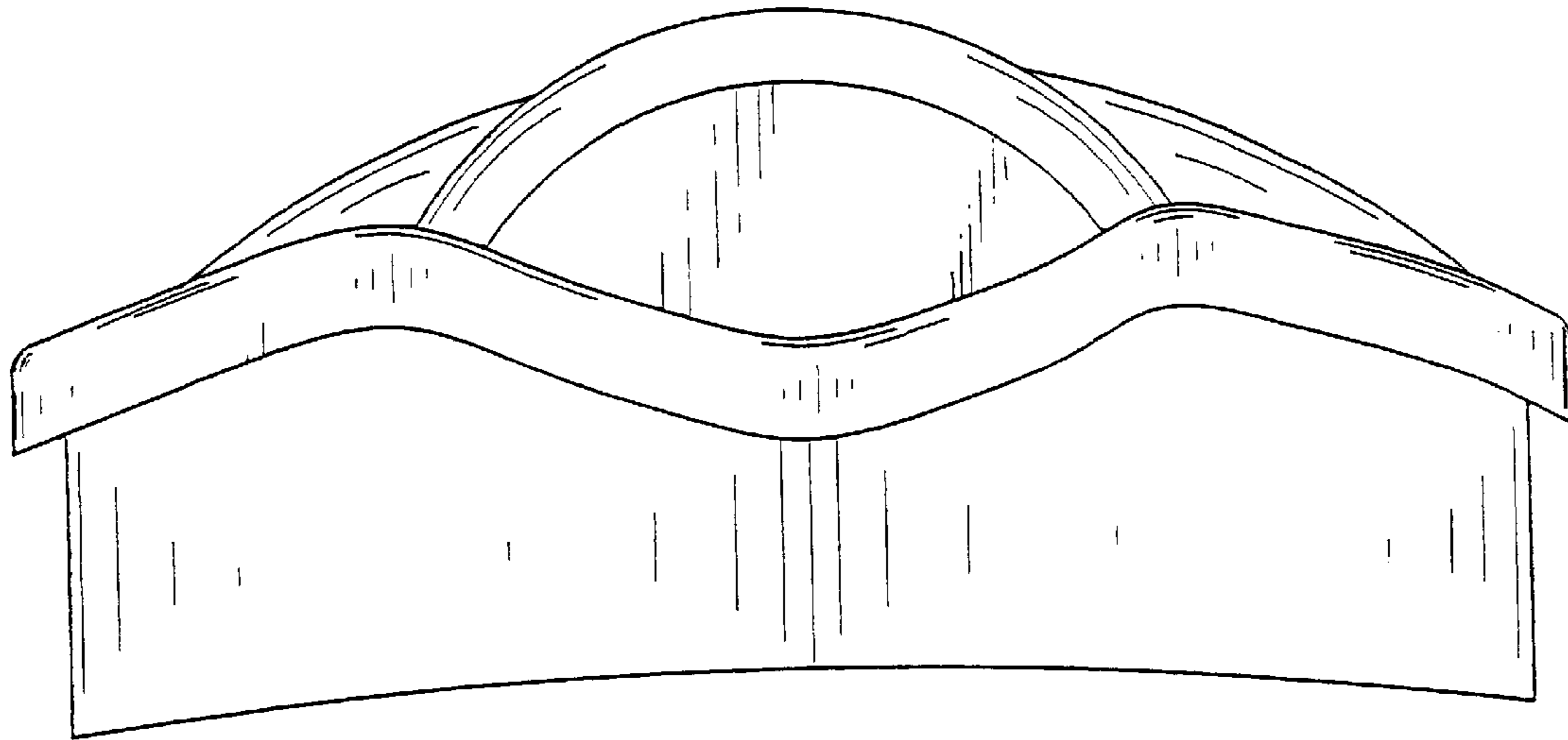
FIG. 2



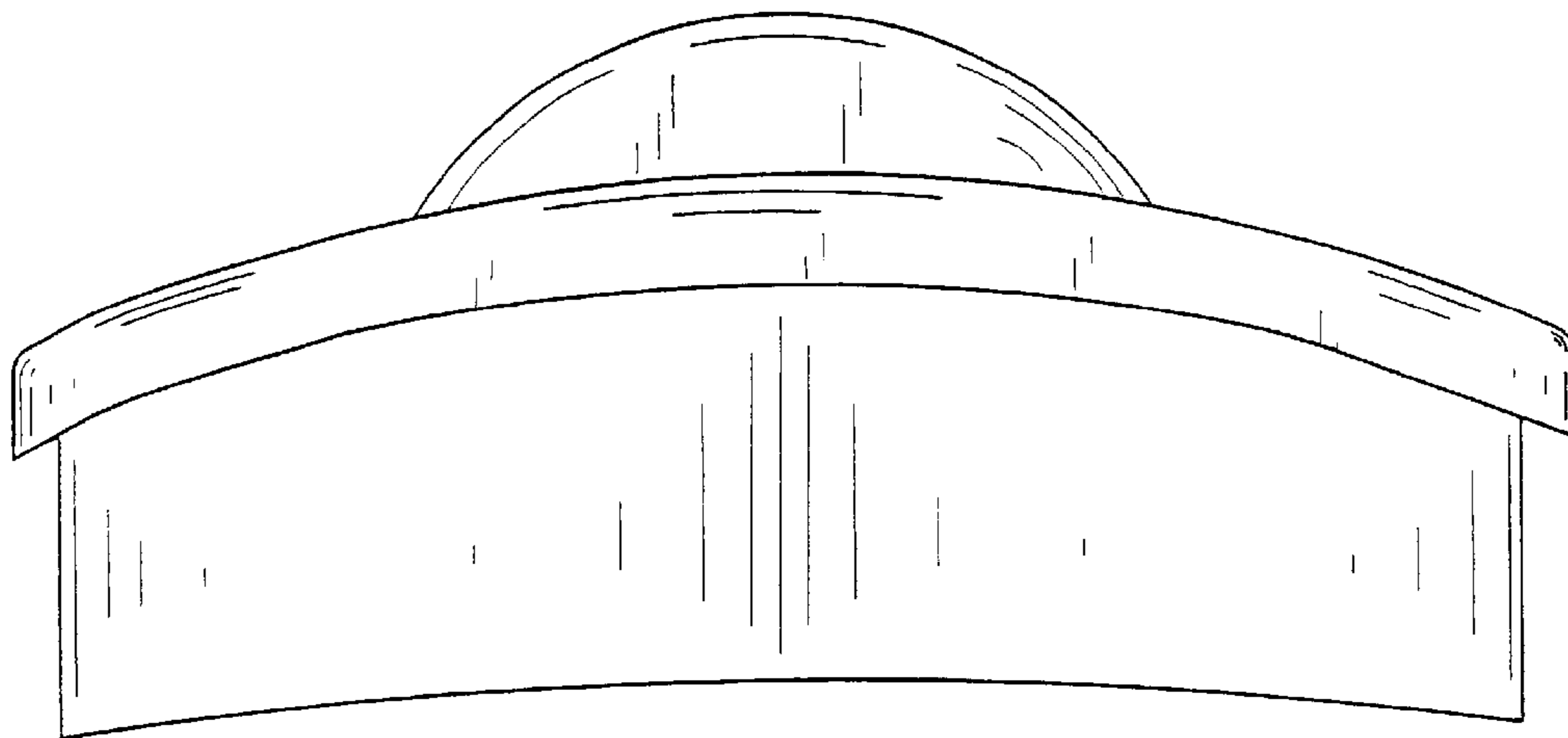
*FIG. 3*



*FIG. 4*



*FIG. 5*



*FIG. 6*

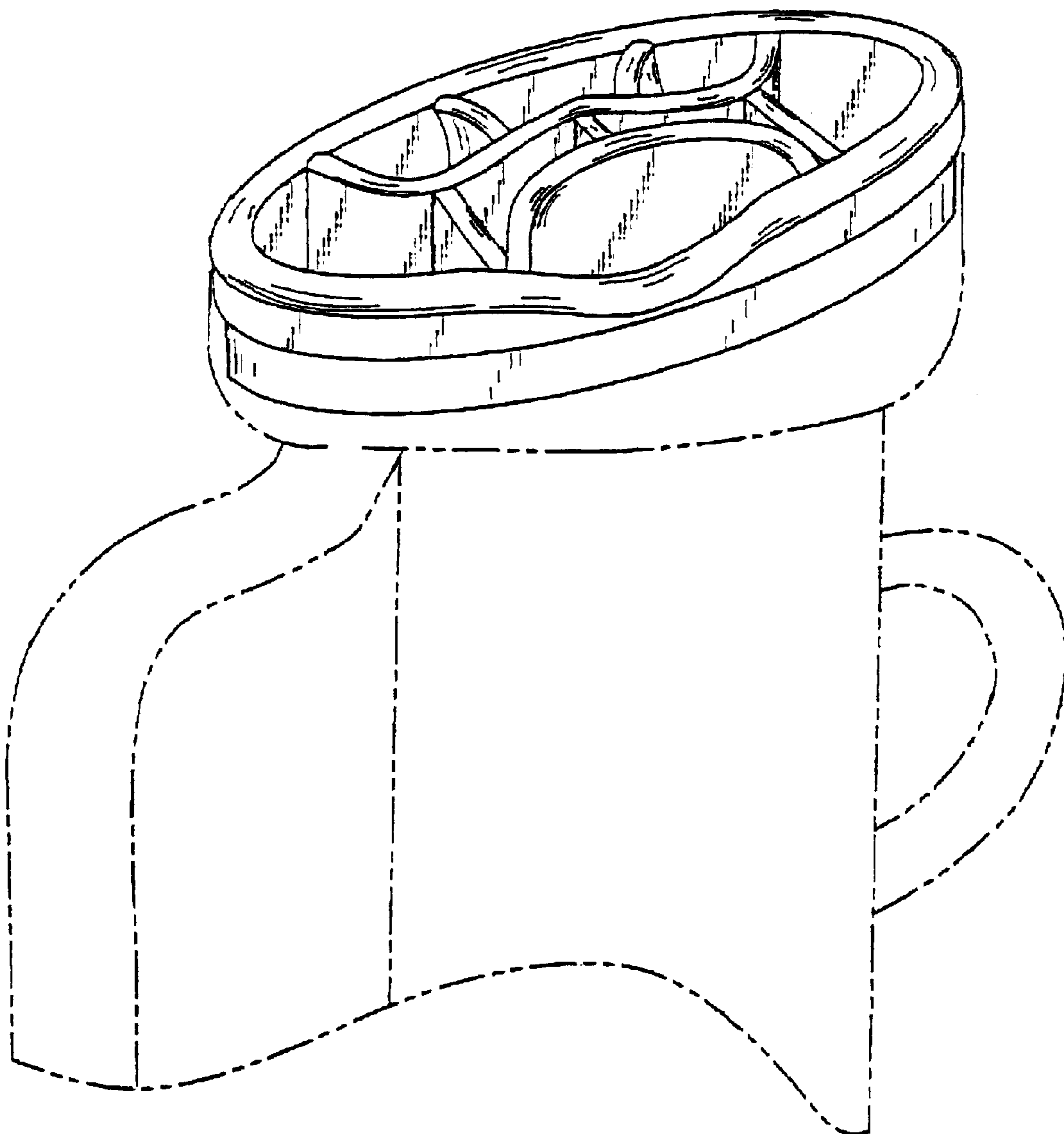


FIG. 7