



US00D537630S

(12) **United States Design Patent**  
**Gibson**

(10) **Patent No.:** **US D537,630 S**

(45) **Date of Patent:** **\*\* Mar. 6, 2007**

(54) **CONTAINER AND FRAME FOR STORAGE OF PROPELLER**

(75) Inventor: **Peter Gibson**, Wheelers Hill (AU)

(73) Assignee: **Trimcast Pty Ltd**, Bayswater (AU)

(\*\*) Term: **14 Years**

(21) Appl. No.: **29/219,958**

(22) Filed: **Dec. 22, 2004**

(51) **LOC (8) Cl.** ..... **03-01**

(52) **U.S. Cl.** ..... **D3/272; D3/302**

(58) **Field of Classification Search** ..... D3/260,  
D3/262, 272-273, 274, 276, 294-295, 302,  
D3/307, 314, 905; D9/420, 423-426, 429,  
D9/432; 190/19, 24; 206/349, 372-373; 312/902  
See application file for complete search history.

(56) **References Cited**

U.S. PATENT DOCUMENTS

- D192,621 S \* 4/1962 Mojonnier ..... D9/523
- D197,993 S \* 4/1964 Mojonnier ..... D9/524
- D234,273 S \* 2/1975 Wilson et al. .... D3/272
- 4,191,356 A \* 3/1980 Ashmun et al. .... 248/678
- D271,343 S \* 11/1983 Miller ..... D3/294

(Continued)

*Primary Examiner*—Philip S. Hyder  
*Assistant Examiner*—RoseLynne (Ulm) Cody  
(74) *Attorney, Agent, or Firm*—Christensen O'Connor  
Johnson Kindness PLLC

(57) **CLAIM**

The ornamental design for a container and frame for storage of propeller, as shown and described.

**DESCRIPTION**

In the drawings, unless otherwise indicated, the features of the outer case do not form part of new or original aspects of the design.

FIG. 1 is a perspective view of the packing frame of the bottom half of the container, in the outer case.

FIG. 2 is a right side view of the packing frame of the lower half of the container shown in FIG. 1,

FIG. 3 is the left side view of the packing frame of the lower half of the container shown in FIG. 1,

FIG. 4 is a plan view of the lower half of the packing frame of the container shown in FIG. 1,

FIG. 5 is a bottom plan view of the packing frame of the lower half of the container shown in FIG. 1,

FIG. 6 is a right end view of the packing frame of the lower half of the lower half of the container shown in FIG. 1,

FIG. 7 is the left end view of the packing frame of the container shown in FIG. 1,

FIG. 8 is a perspective view of the top half of the container in accordance with the invention, in the outer case.

FIG. 9 is the right end view of the top half of the frame of the container shown in FIG. 8,

FIG. 10 is the front elevation of the top half of the frame of the container shown in FIG. 8,

FIG. 11 is the rear elevation of the top half of the frame of the container shown in FIG. 8,

FIG. 12 is a plan view of the top half of the frame of the container shown in FIG. 8,

FIG. 13 is a bottom plan view of the top half of the frame of the container shown in FIG. 8,

FIG. 14 is the left end view of the top half of the frame of the container shown in FIG. 8,

FIG. 15 is a perspective view of the assembled container frame, in the outer case

FIG. 16 is a left end view of the assembled container frame of FIG. 15,

FIG. 17 is the right end view of the assembled container frame of FIG. 15,

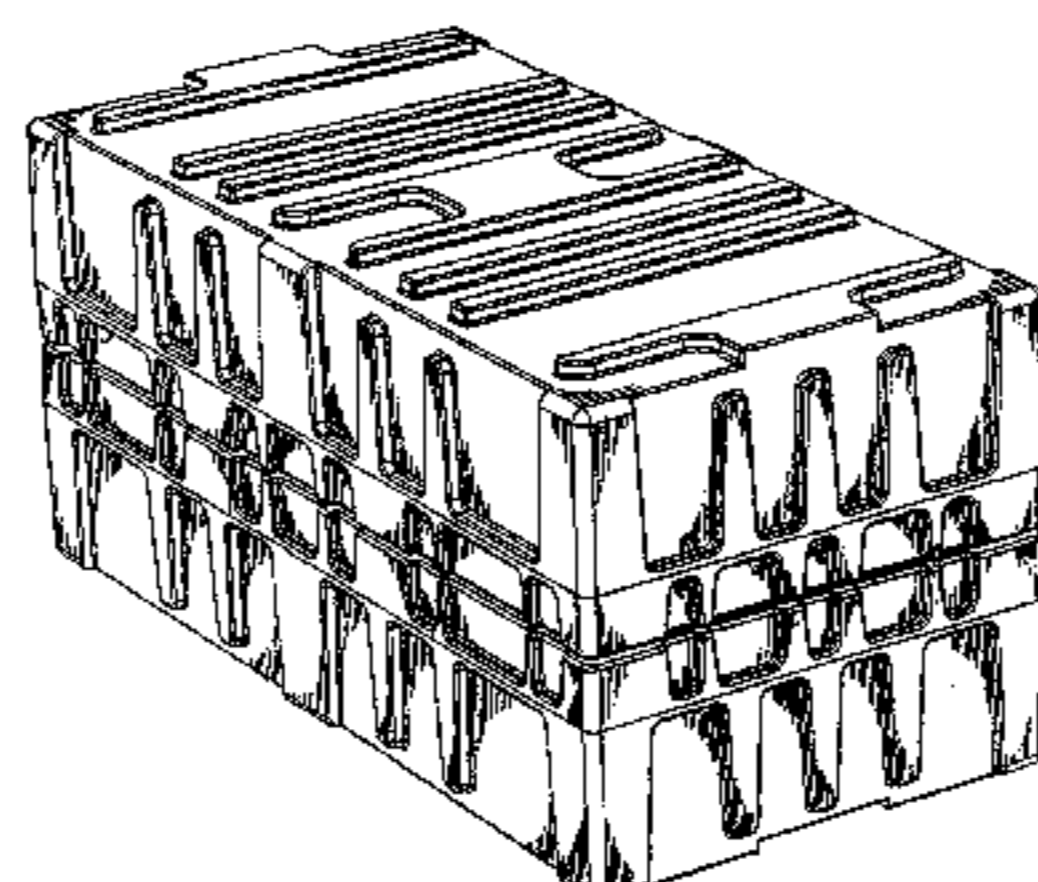
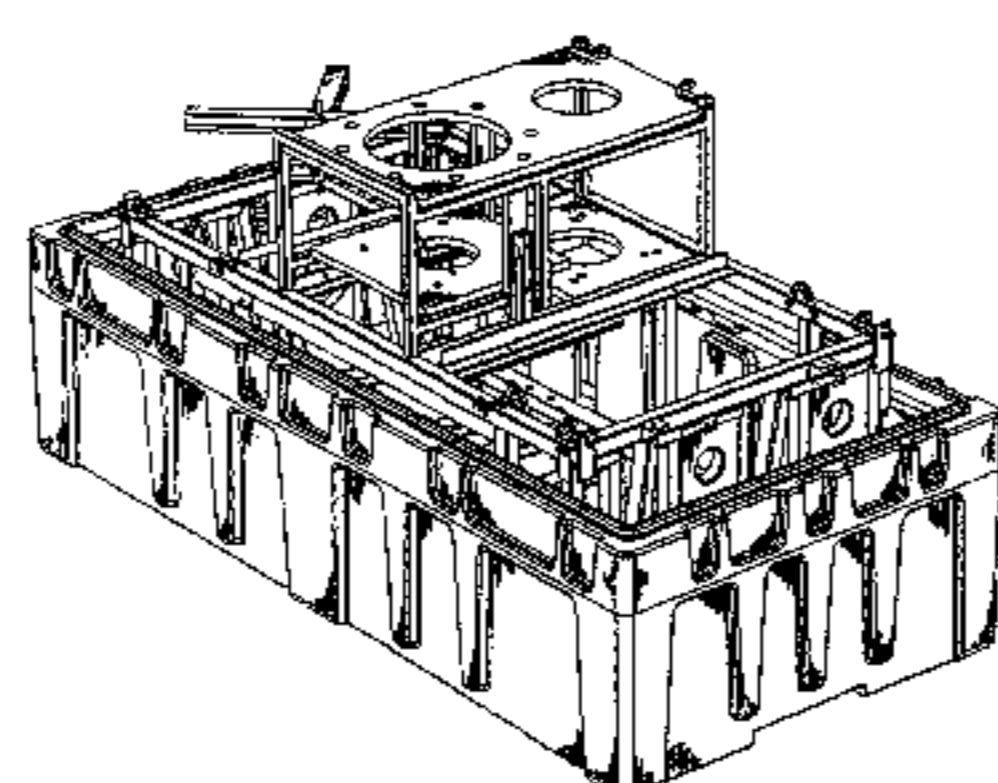
FIG. 18 is the front elevational view of the assembled container frame of FIG. 15,

FIG. 19 is the rear view of the assembled container frame of FIG. 15,

FIG. 20 is the plan view of the assembled container frame of FIG. 15, in the outer case; and,

FIG. 21 is the bottom plan view of the assembled container frame of FIG. 15, in the outer case.

**1 Claim, 21 Drawing Sheets**



# US D537,630 S

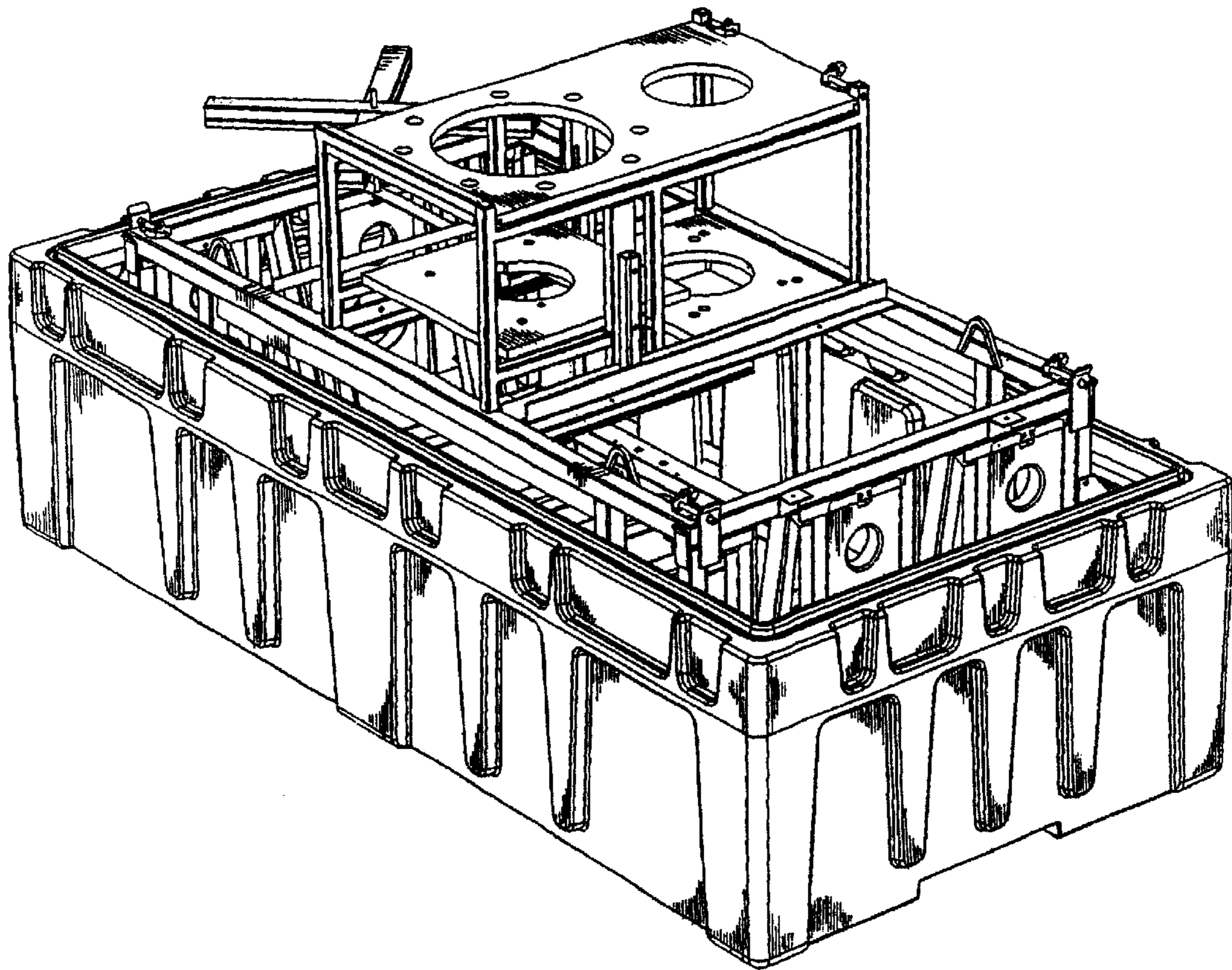
Page 2

---

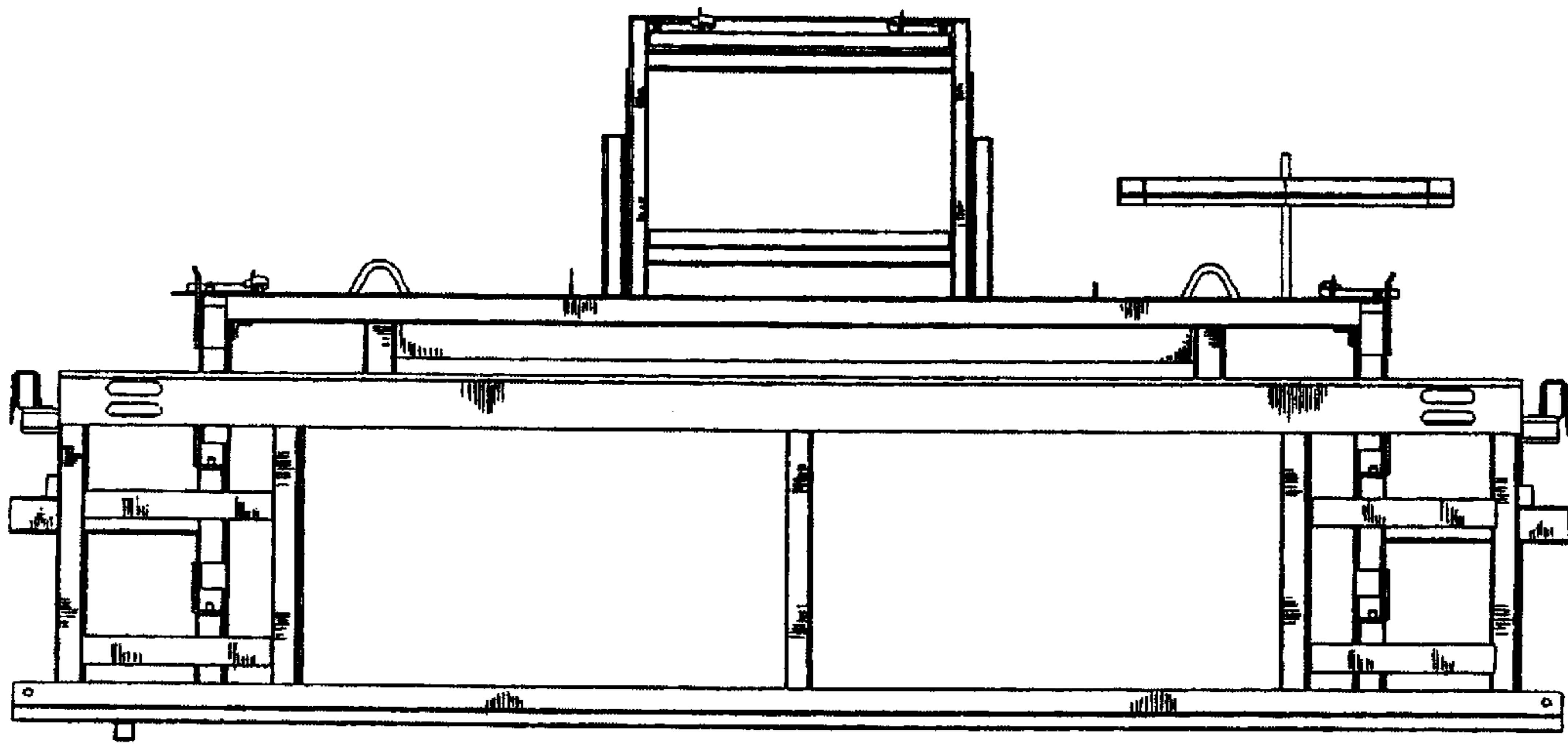
## U.S. PATENT DOCUMENTS

4,735,310	A	*	4/1988	Lemery et al.	.....	206/319			
D321,090	S	*	10/1991	Dickinson	.....	D3/294			
D321,091	S	*	10/1991	Dickinson	.....	D3/294			
D327,646	S	*	7/1992	Hardigg et al.	.....	D9/425			
5,154,286	A	*	10/1992	Gits	.....	206/386			
D347,324	S	*	5/1994	Dickinson	.....	D3/272			
D348,342	S	*	6/1994	Lang-Ree et al.	.....	D3/288			
D361,511	S	*	8/1995	Dickinson et al.	.....	D9/425			
D361,715	S	*	8/1995	Hauptert	.....	D9/424			
D382,795	S	*	8/1997	Abayhan et al.	.....	D9/425			
D385,110	S	*	10/1997	Yemini	.....	D3/282			
D389,309	S	*	1/1998	Shaw	.....	D3/294			
D394,550	S	*	5/1998	Tanji	.....	D3/273			
D413,439	S	*	9/1999	Bell	.....	D3/272			
D414,333	S	*	9/1999	Barber et al.	.....	D3/272			
D430,395	S	*	9/2000	Holahan	.....	D3/272			
D432,787	S	*	10/2000	Holahan	.....	D3/272			
D439,514	S	*	3/2001	Burra	.....	D9/425			
D440,042	S	*	4/2001	Holahan	.....	D3/272			
D451,278	S	*	12/2001	Cooper	.....	D3/294			
D459,073	S	*	6/2002	Lee	.....	D3/276			

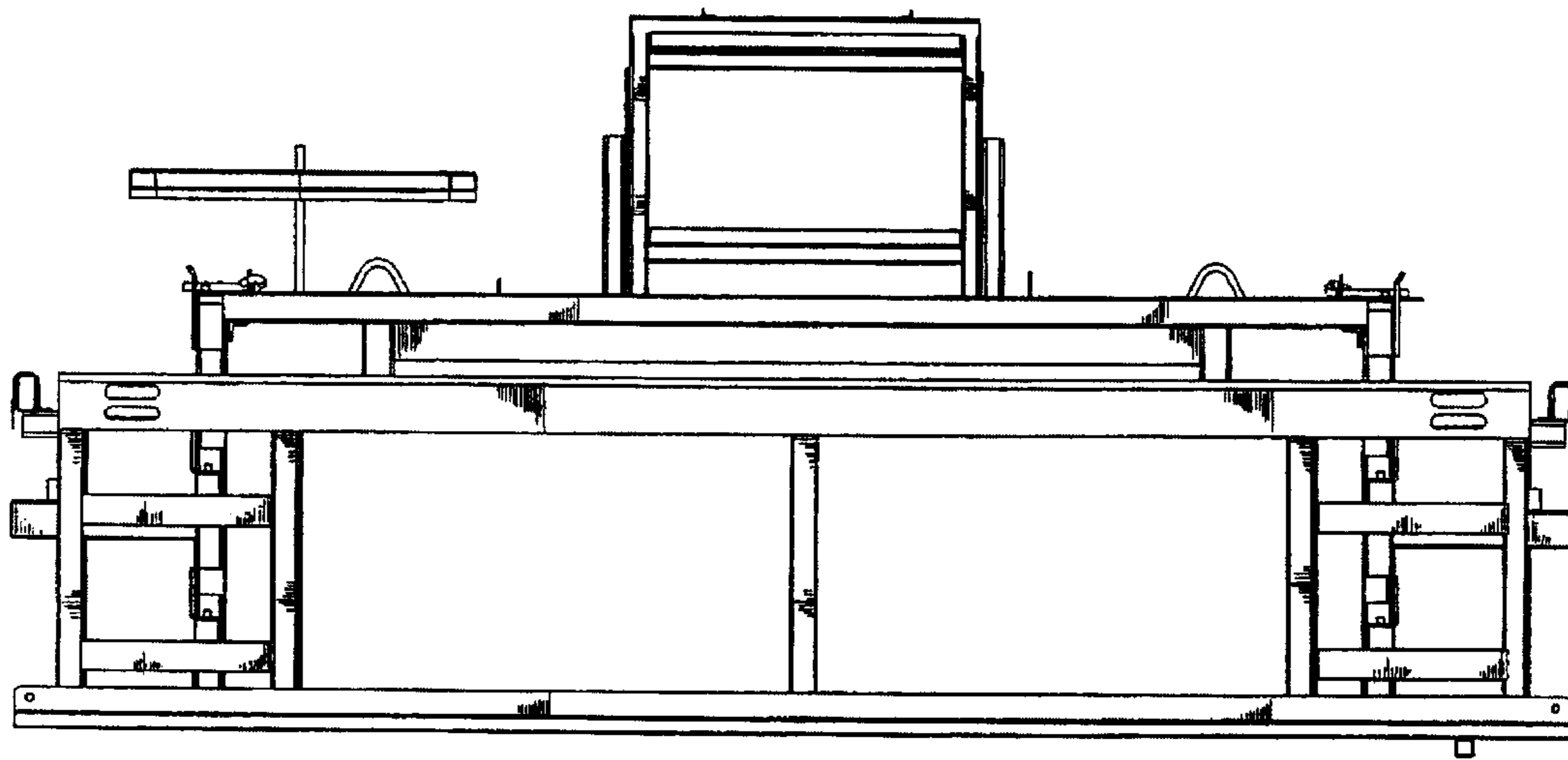
\* cited by examiner



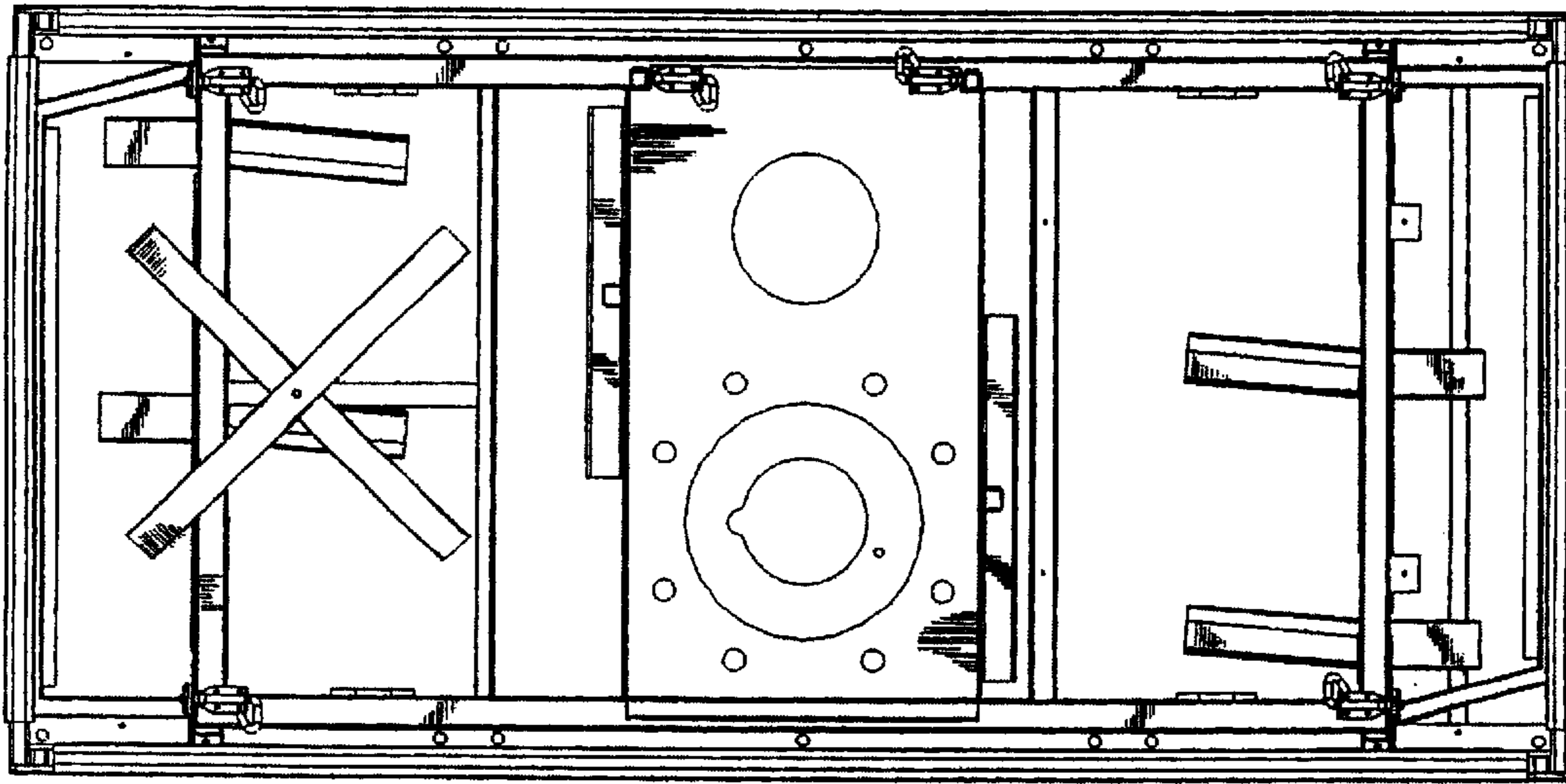
*Figure 1*



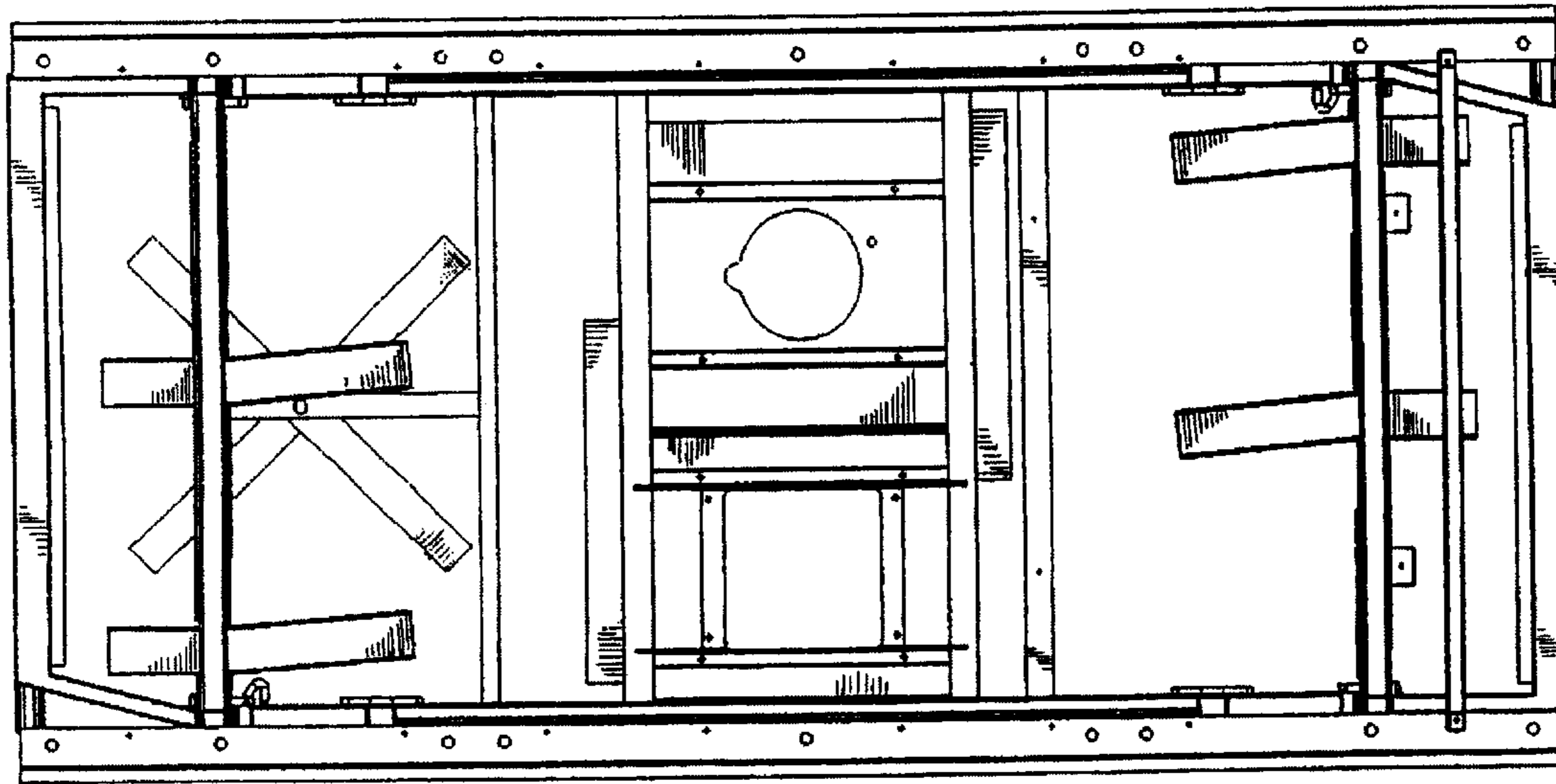
*Figure 2*



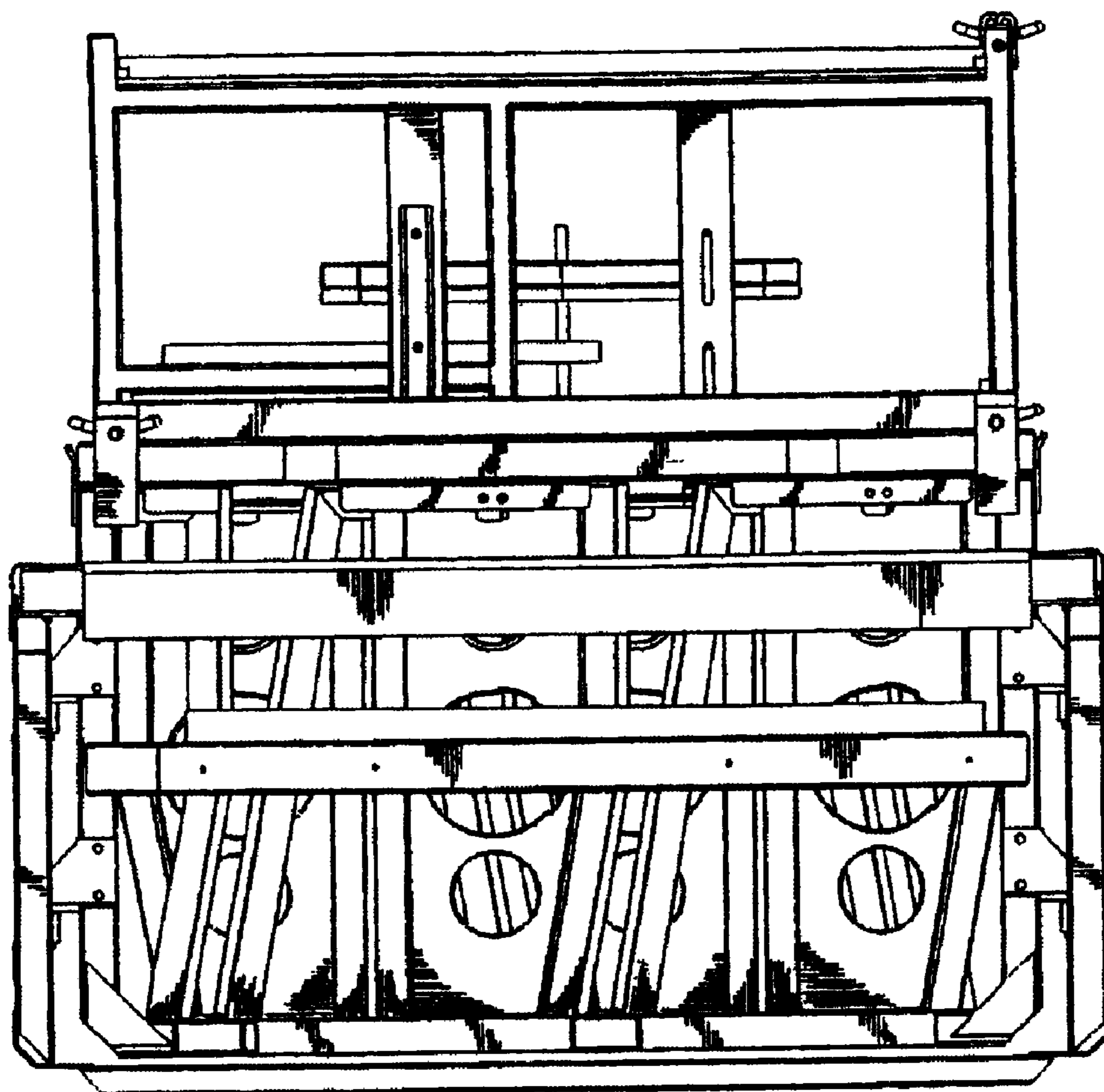
*Figure 3*



*Figure 4*

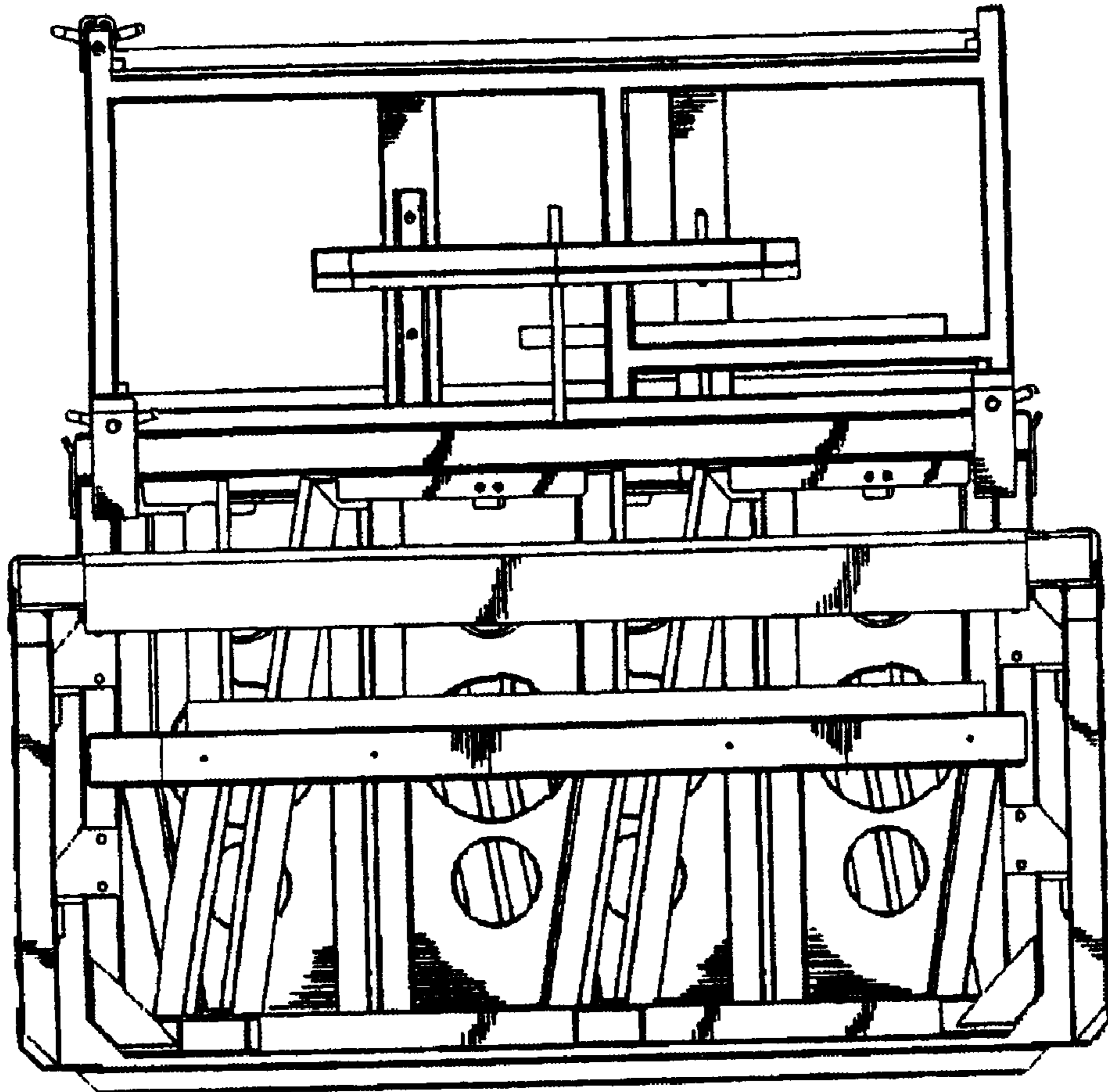


*Figure 5*

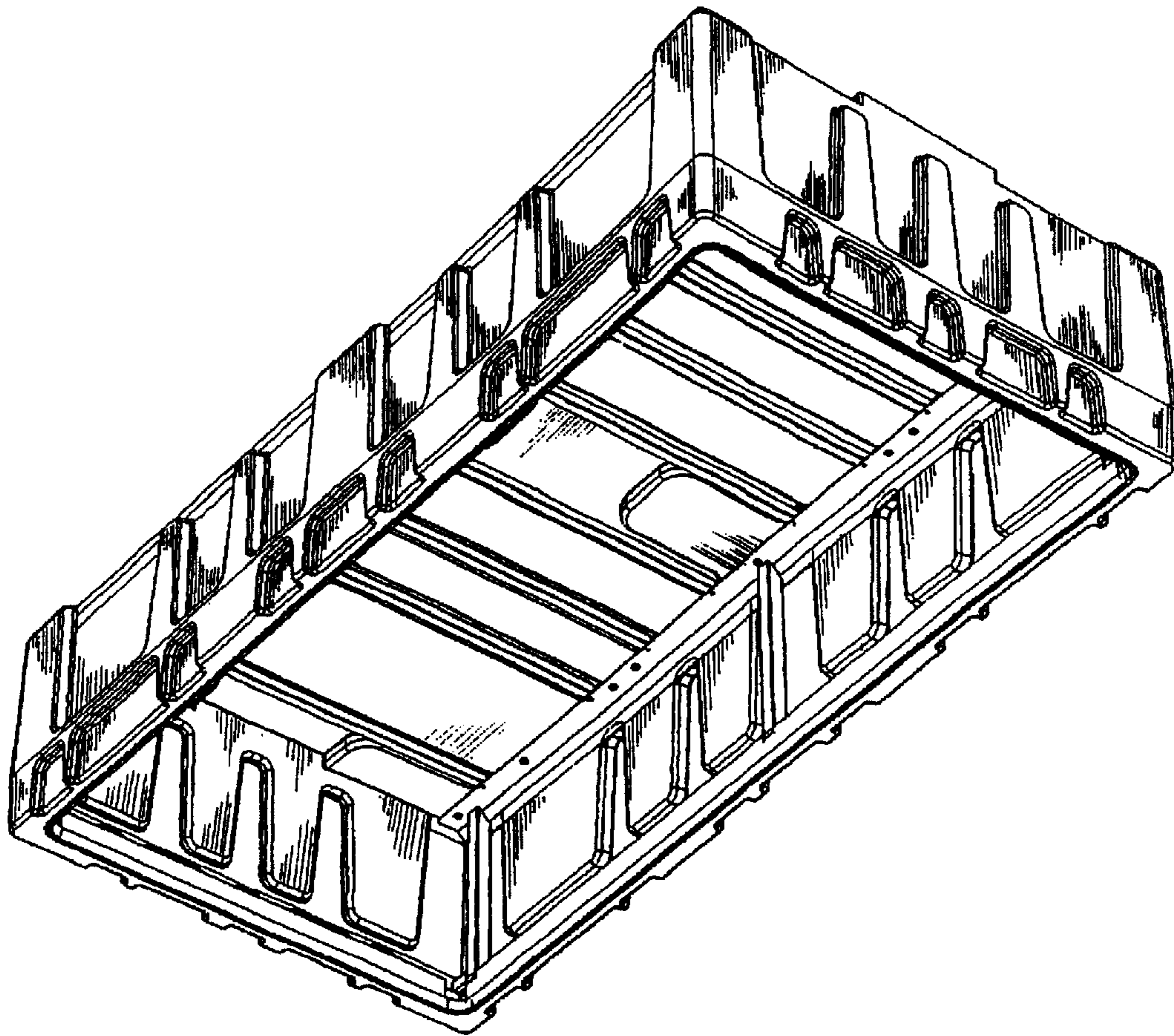


*Figure 6*

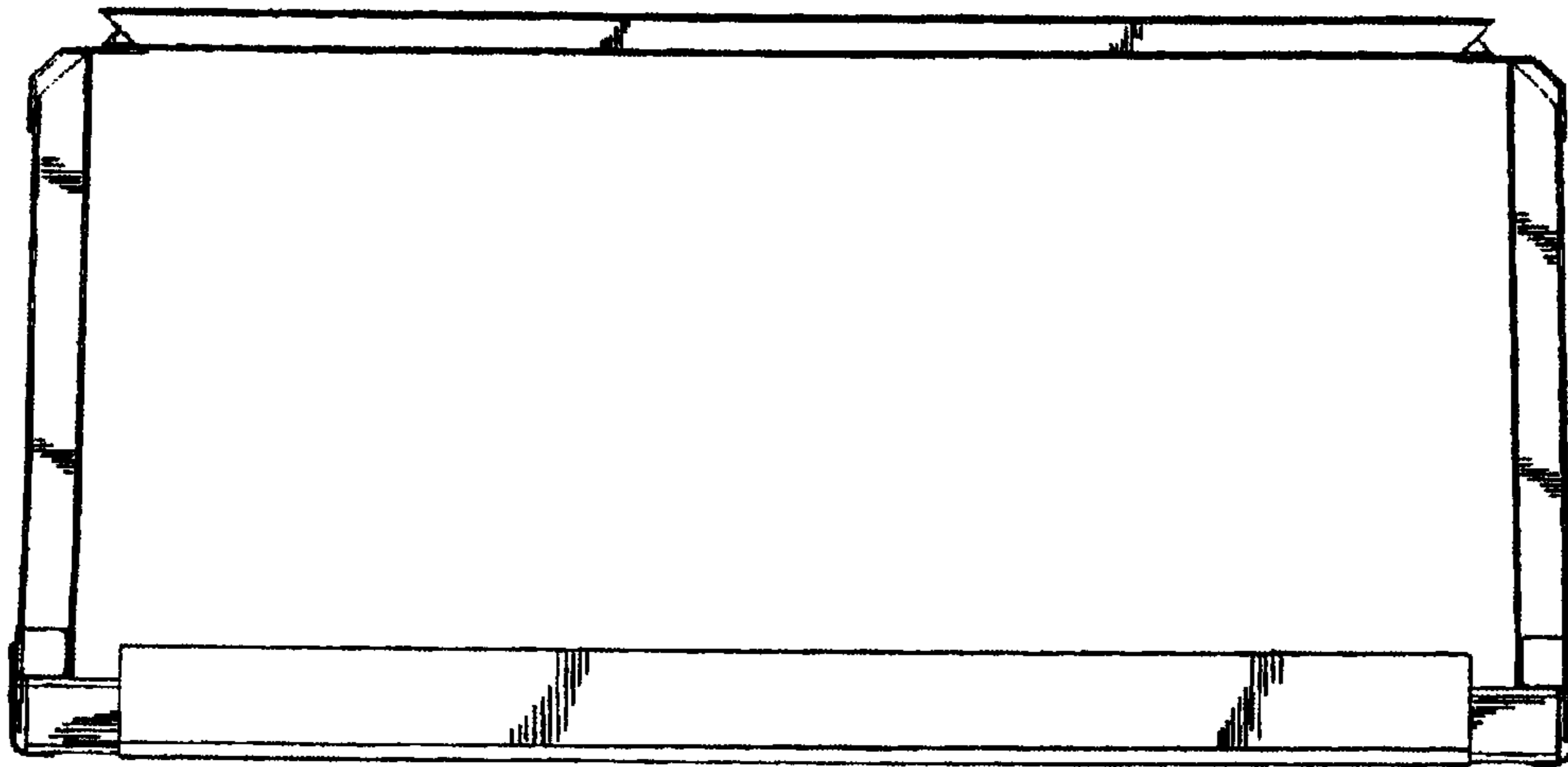




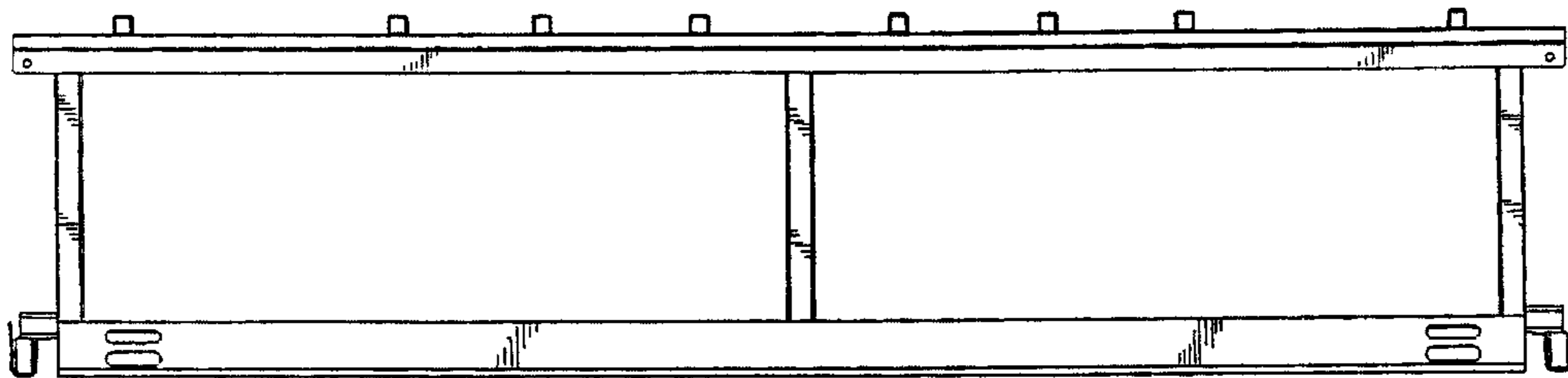
*Figure 7*



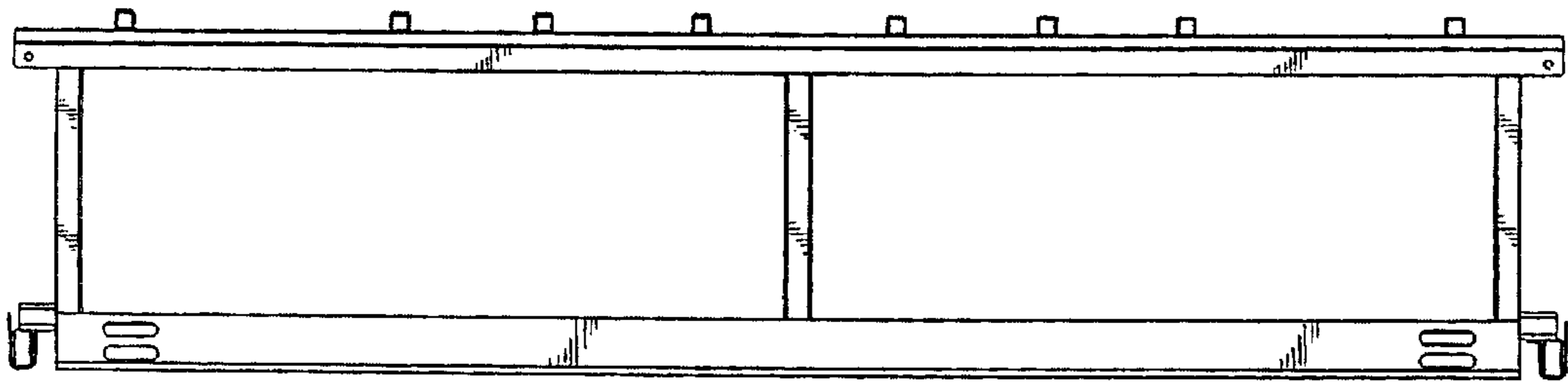
*Figure 8*



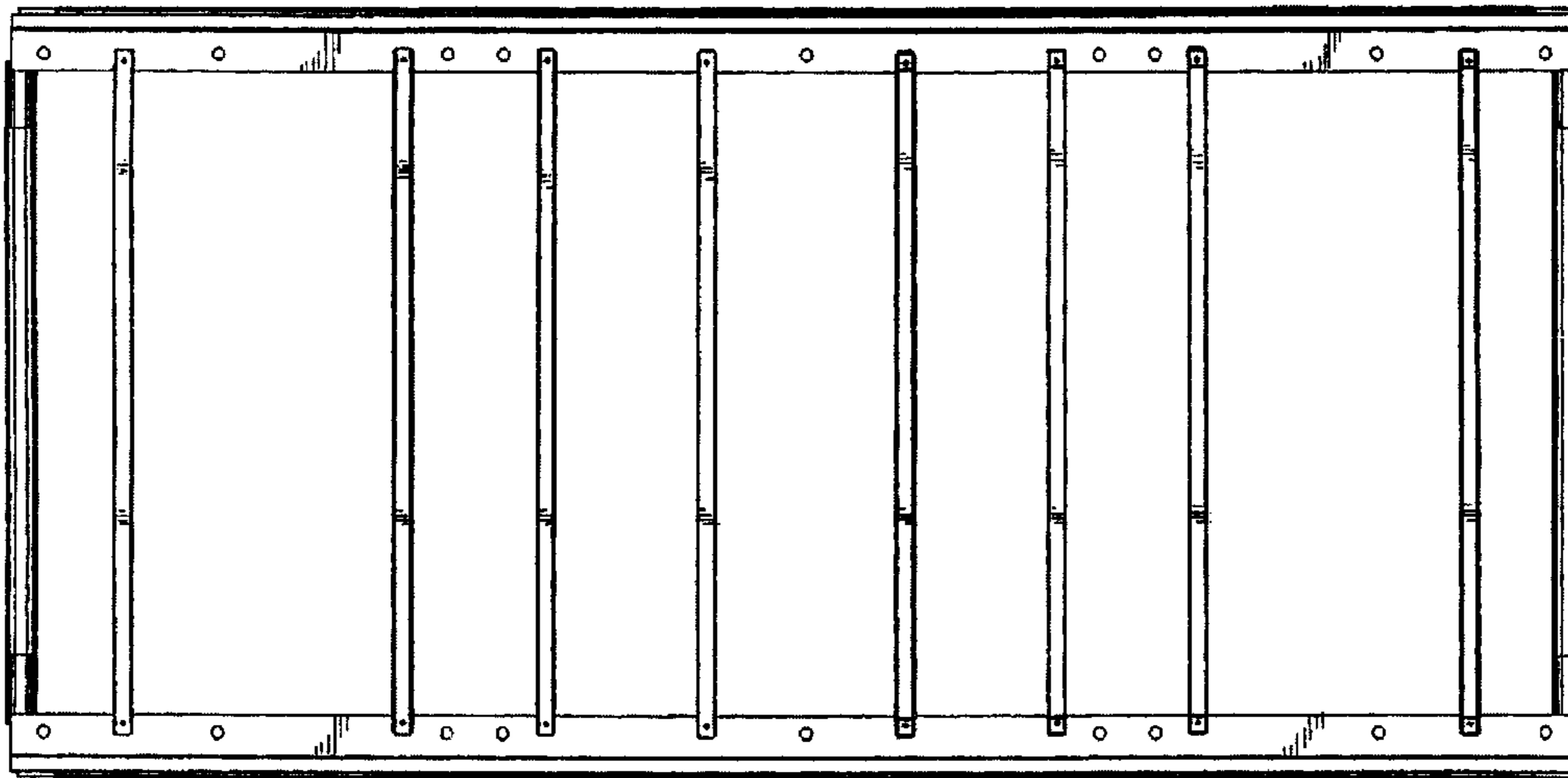
*Figure 9*



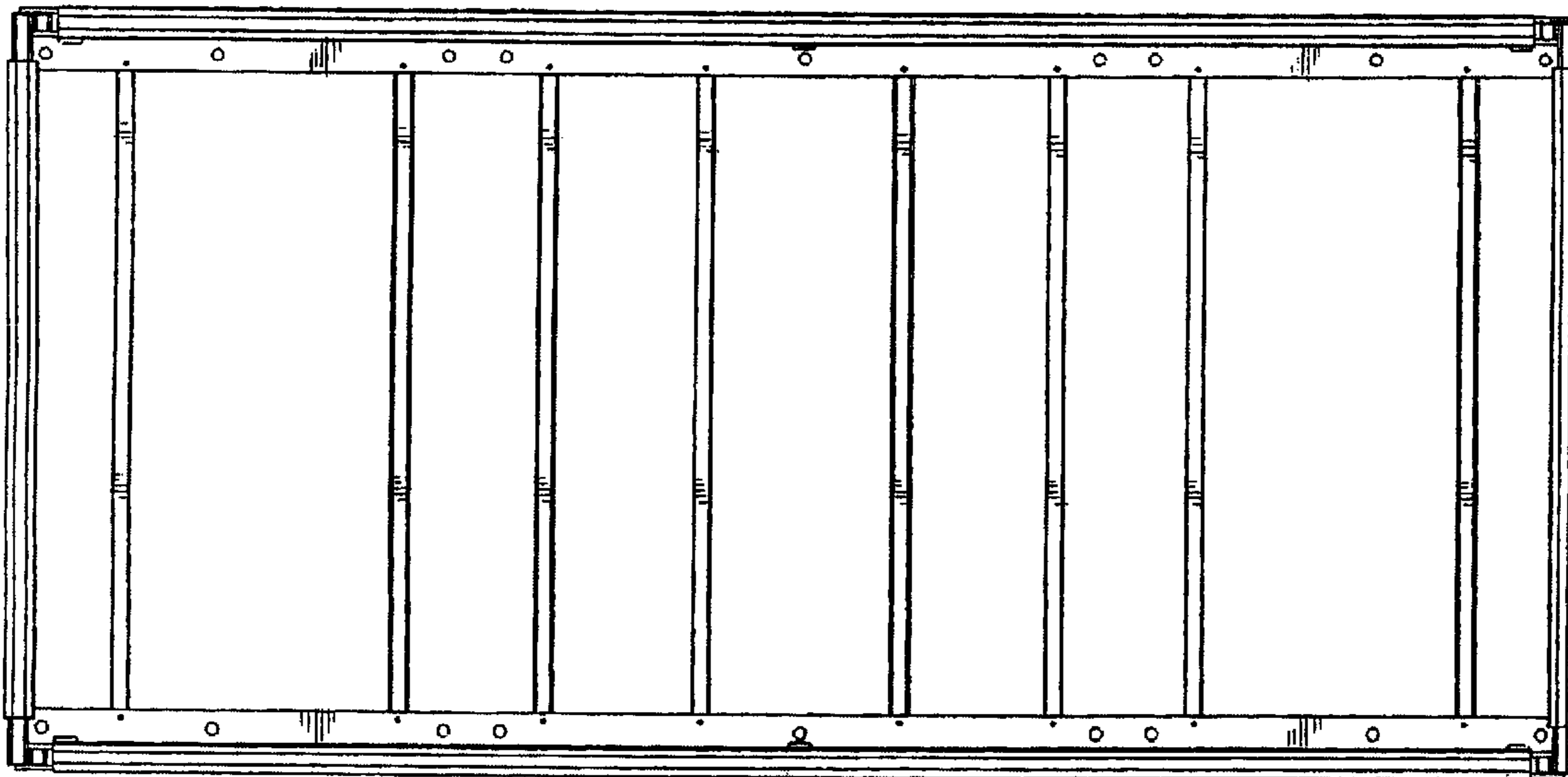
*Figure 10*



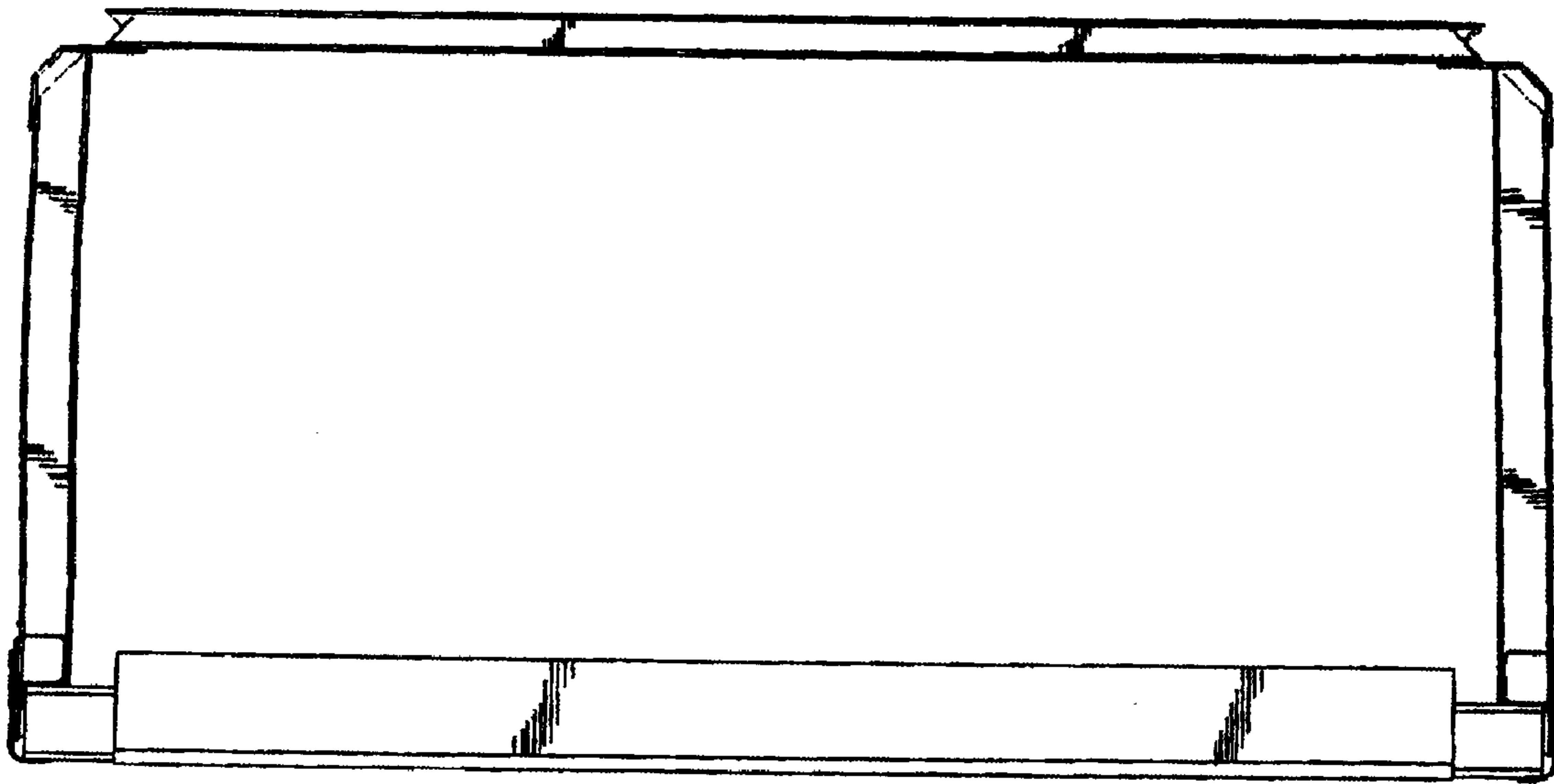
*Figure 11*



*Figure 12*

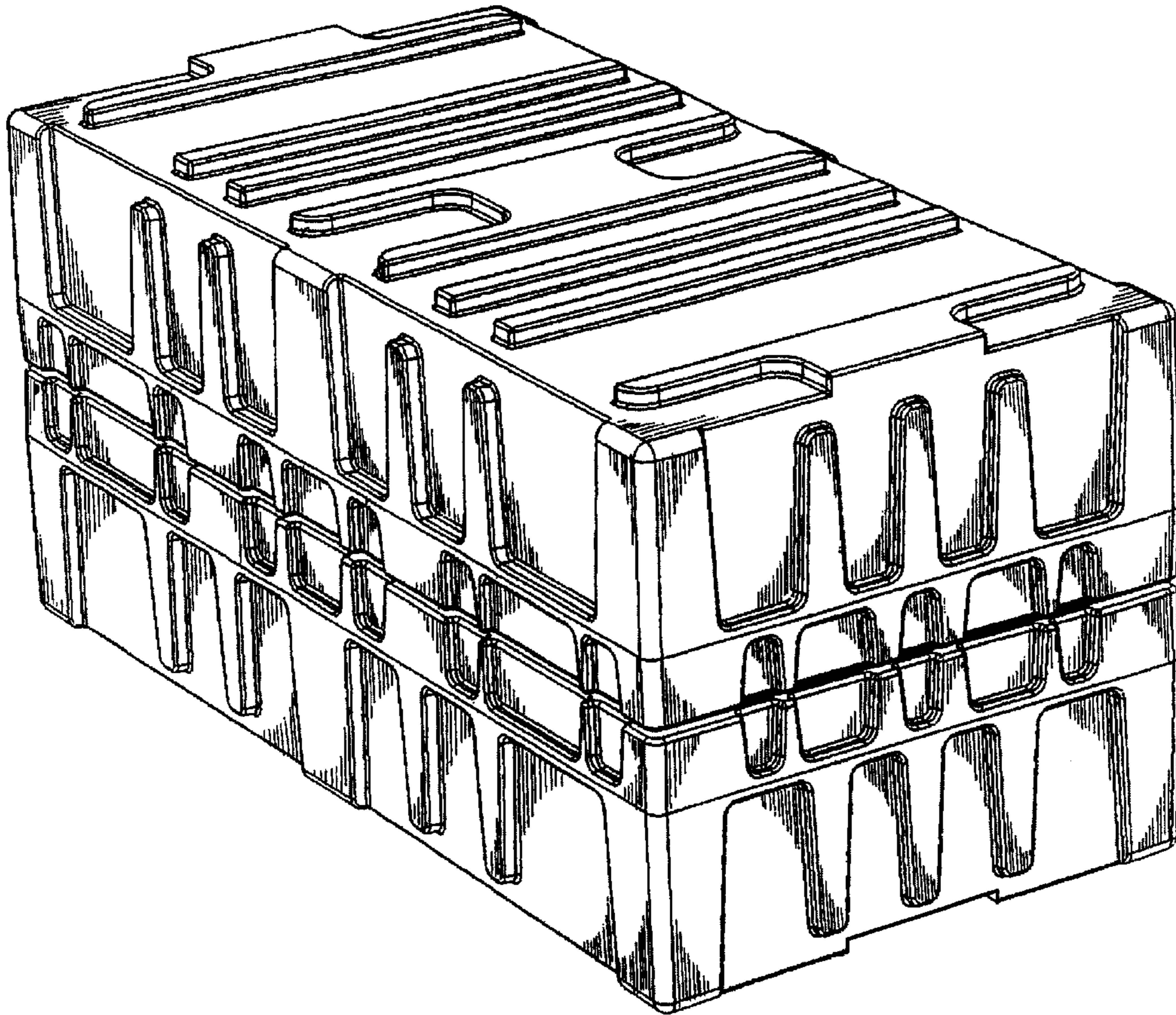


*Figure 13*

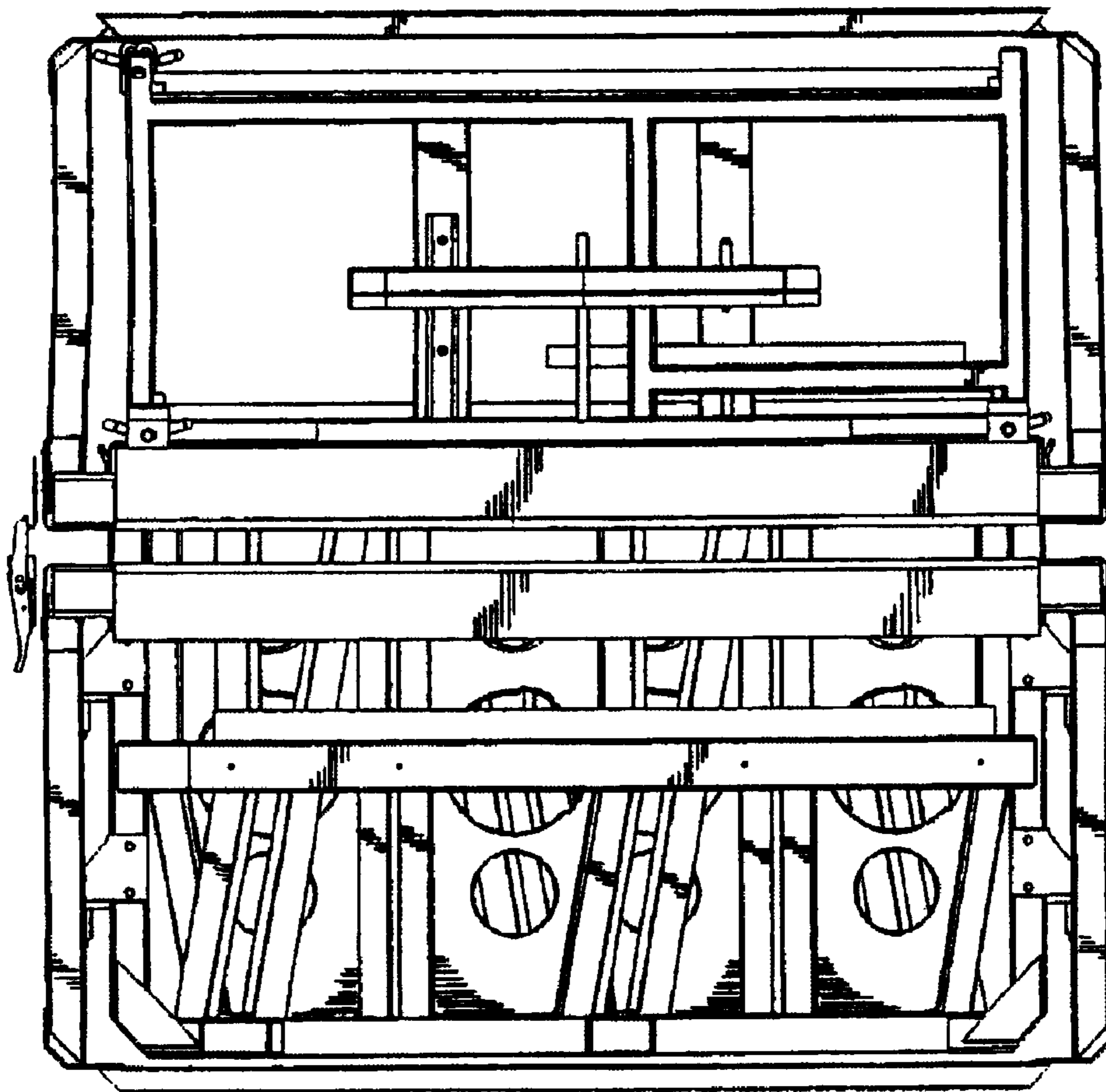


*Figure 14*

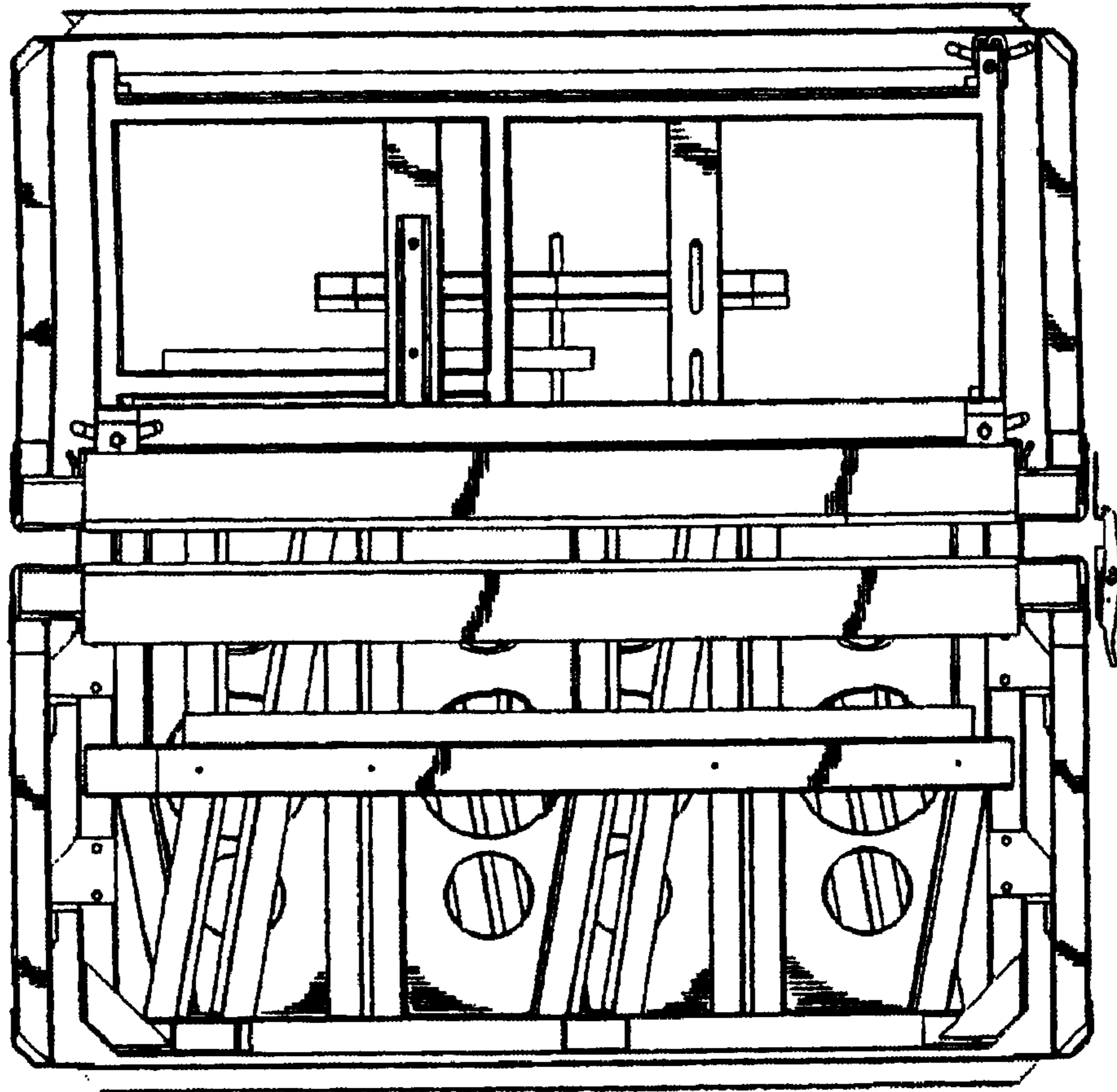




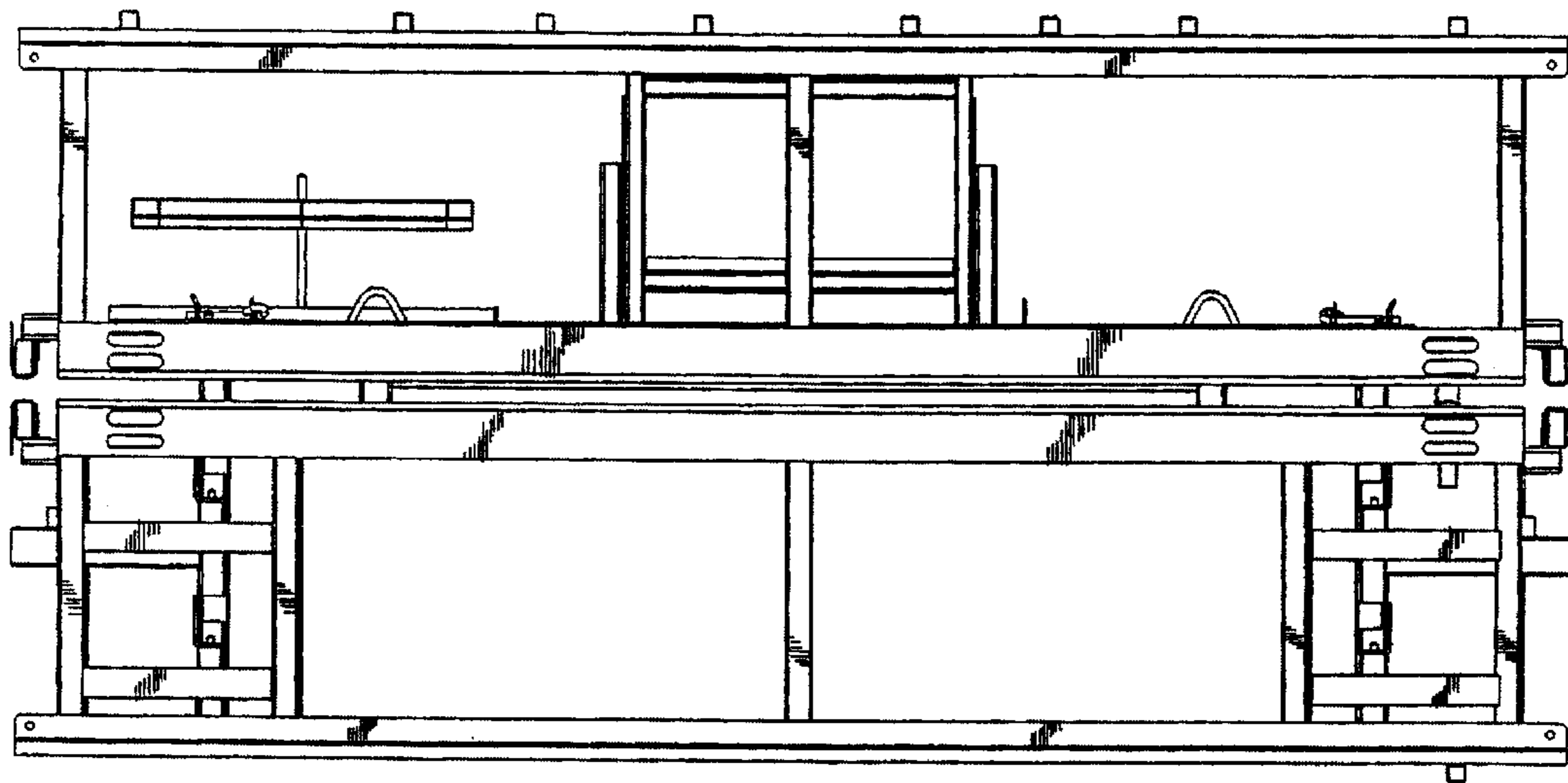
*Figure 15*



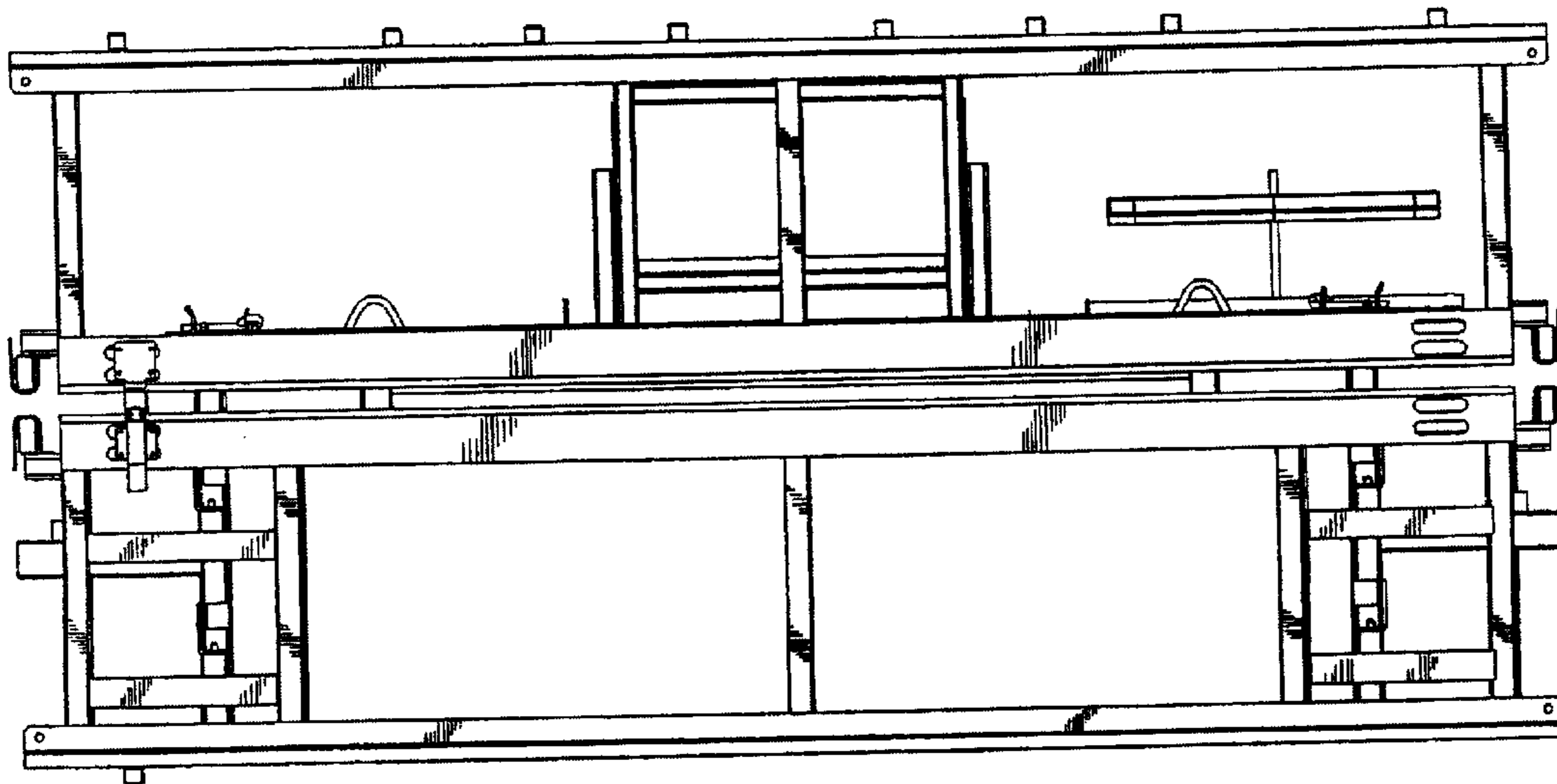
*Figure 16*



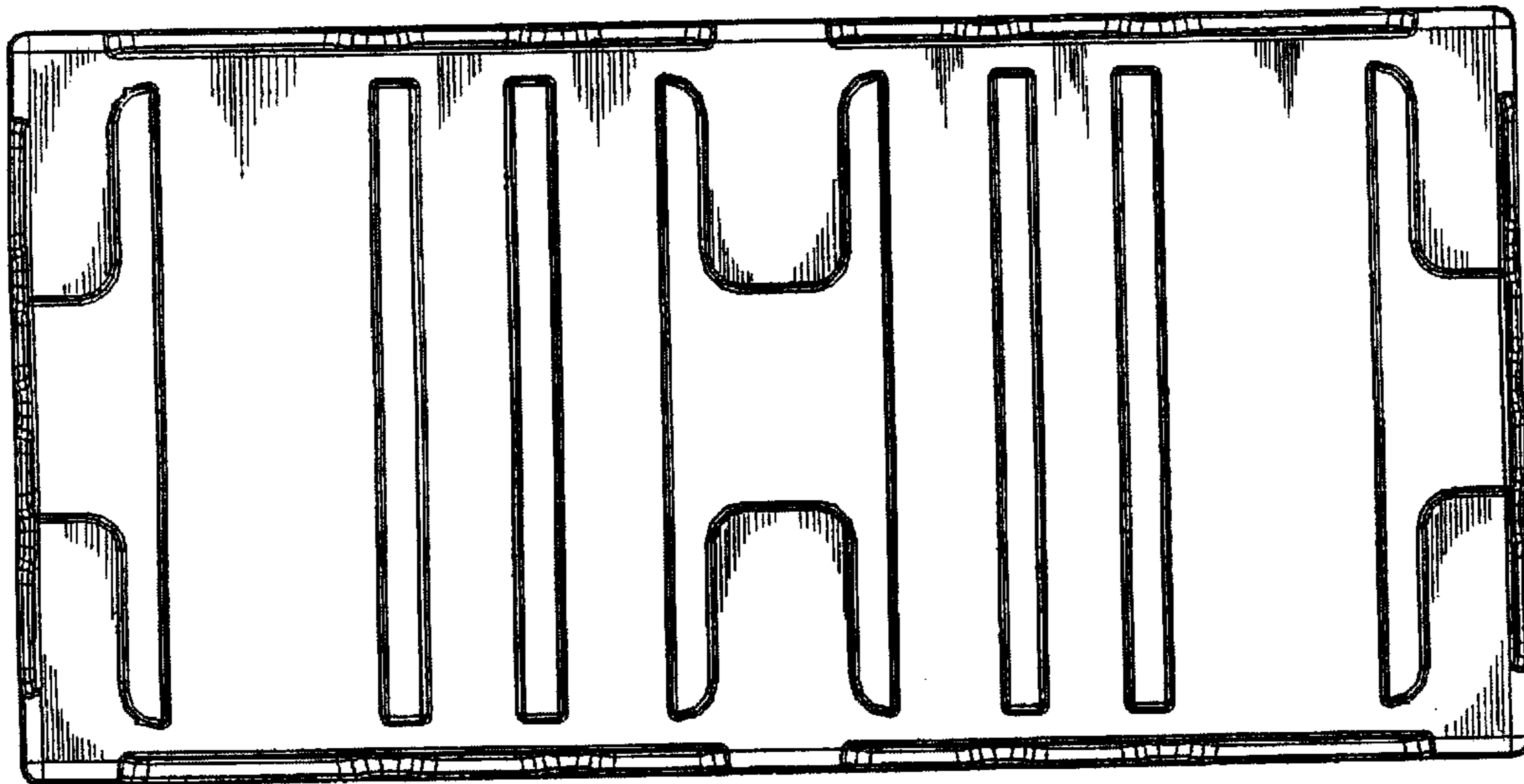
*Figure 17*



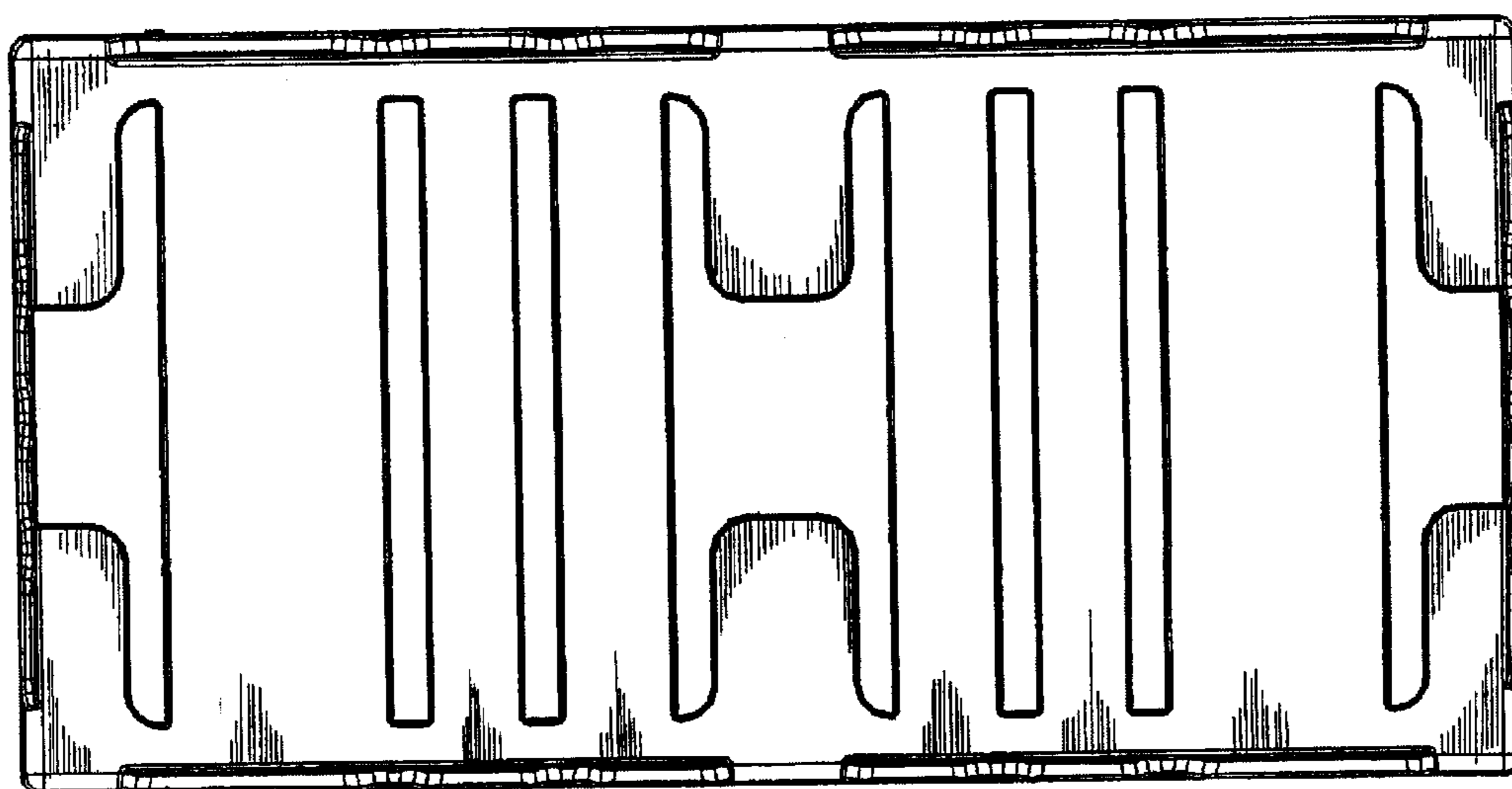
*Figure 18*



*Figure 19*



*Figure 20*



*Figure 21*