



US00D537629S

(12) **United States Design Patent** (10) **Patent No.:** **US D537,629 S**  
**Murray** (45) **Date of Patent:** **\*\* Mar. 6, 2007**

(54) **FISHING ROD SLEEVE**

(75) Inventor: **Christopher Murray**, Charlottesville, VA (US)

(73) Assignee: **Murray & Co.**, Charlottesville, VA (US)

(\*\*) Term: **14 Years**

(21) Appl. No.: **29/241,498**

(22) Filed: **Oct. 28, 2005**

(51) **LOC (8) Cl.** ..... **03-01**

(52) **U.S. Cl.** ..... **D3/260**

(58) **Field of Classification Search** ..... D3/260,  
D3/254, 904-905; D22/134-136, 199; 206/315.11;  
43/26; 224/607

See application file for complete search history.

(56) **References Cited**

**U.S. PATENT DOCUMENTS**

5,515,641	A	*	5/1996	D'Alessandro	.....	43/26
D395,360	S	*	6/1998	Schrader, Jr.	.....	D3/260
D451,670	S	*	12/2001	Knorr et al.	.....	D3/260
6,343,728	B1	*	2/2002	Carbone	.....	224/607
D458,747	S	*	6/2002	Hields et al.	.....	D3/260
D487,633	S	*	3/2004	Leary	.....	D3/260
D489,176	S	*	5/2004	Bazen	.....	D3/260

**OTHER PUBLICATIONS**

Page from Cabela's On-line Catalog (www.Cabelas.com), publication date unknown, Product ID# IG-012844 (1 page).

Page from Cabela's On-line Catalog (www.Cabelas.com), publication date unknown, Product ID# IG-119622 (1 page).

Page from Cabela's On-line Catalog (www.Cabelas.com), publication date unknown, Product ID# IG-120696 (1 page).

Page from Cabela's On-line Catalog (www.Cabelas.com), publication date unknown, Product ID# IG-120697 (1 page).

\* cited by examiner

*Primary Examiner*—Catherine R. Oliver

(74) *Attorney, Agent, or Firm*—Nixon & Vanderhye P.C.

(57) **CLAIM**

The ornamental design for a "fishing rod sleeve," as shown and described.

**DESCRIPTION**

FIG. 1 is a perspective view of the fishing rod sleeve according to the present invention;

FIG. 2 is an alternate perspective view thereof;

FIG. 3 is a side view thereof, the opposite side being a mirror image;

FIG. 4 is a bottom view thereof;

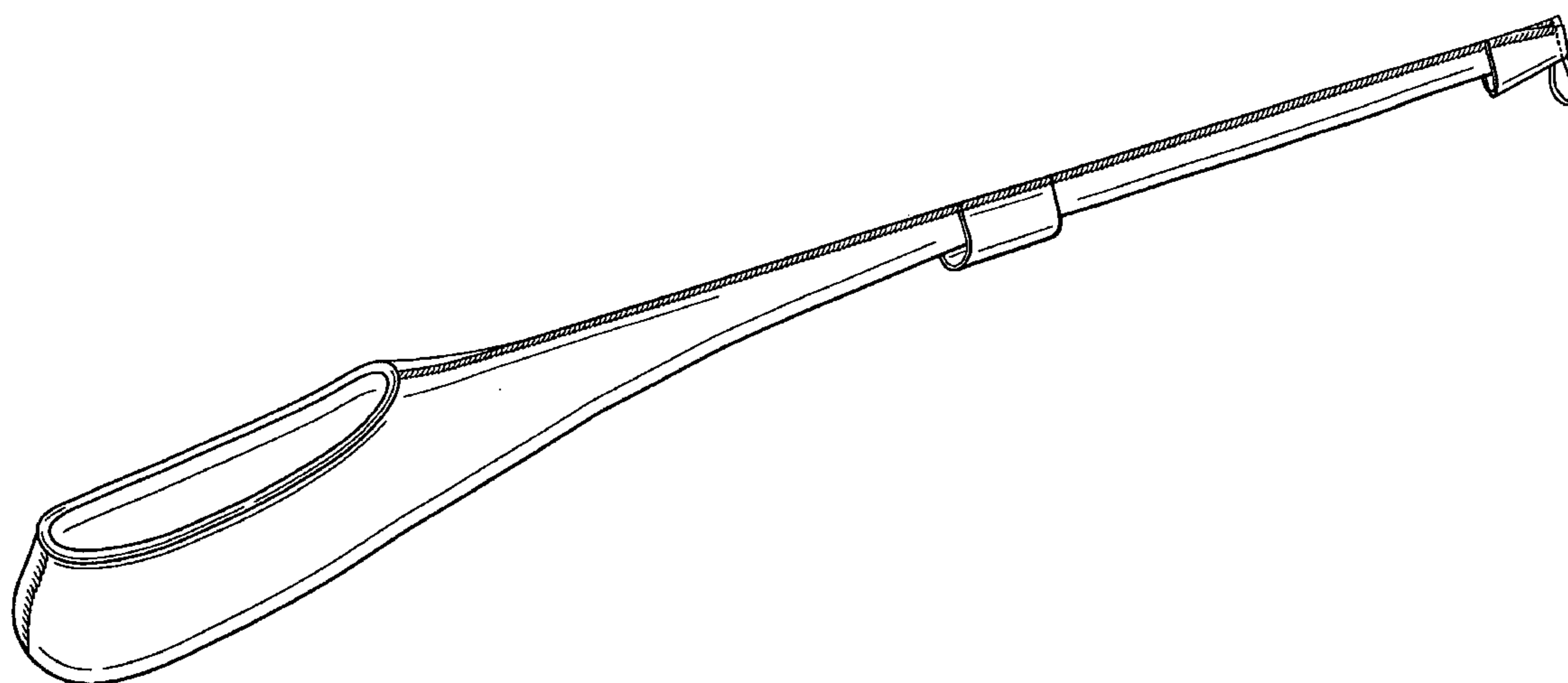
FIG. 5 is a top view thereof;

FIG. 6 is a side perspective view thereof; and,

FIG. 7 is a side perspective view of a second embodiment of the fishing rod sleeve.

Some views are shown enlarged to show the detail of the design.

**1 Claim, 5 Drawing Sheets**



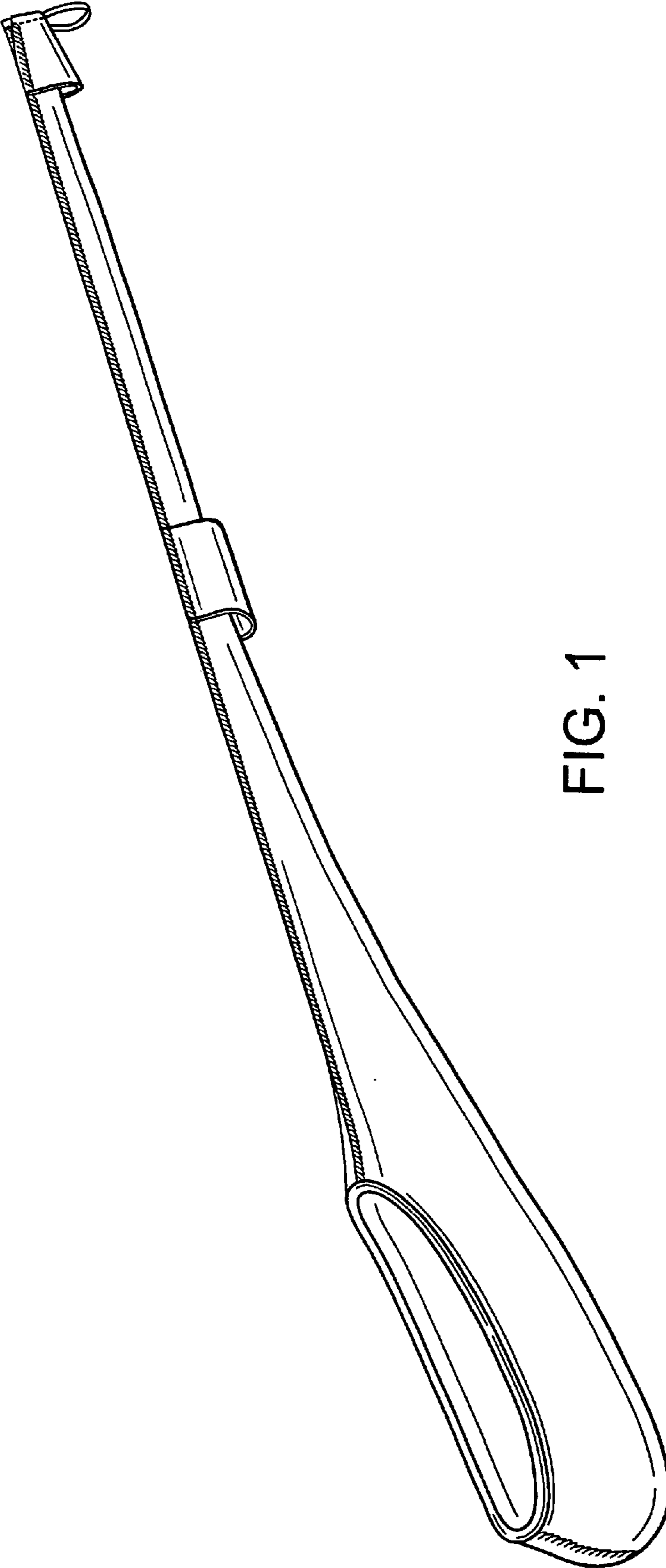


FIG. 1

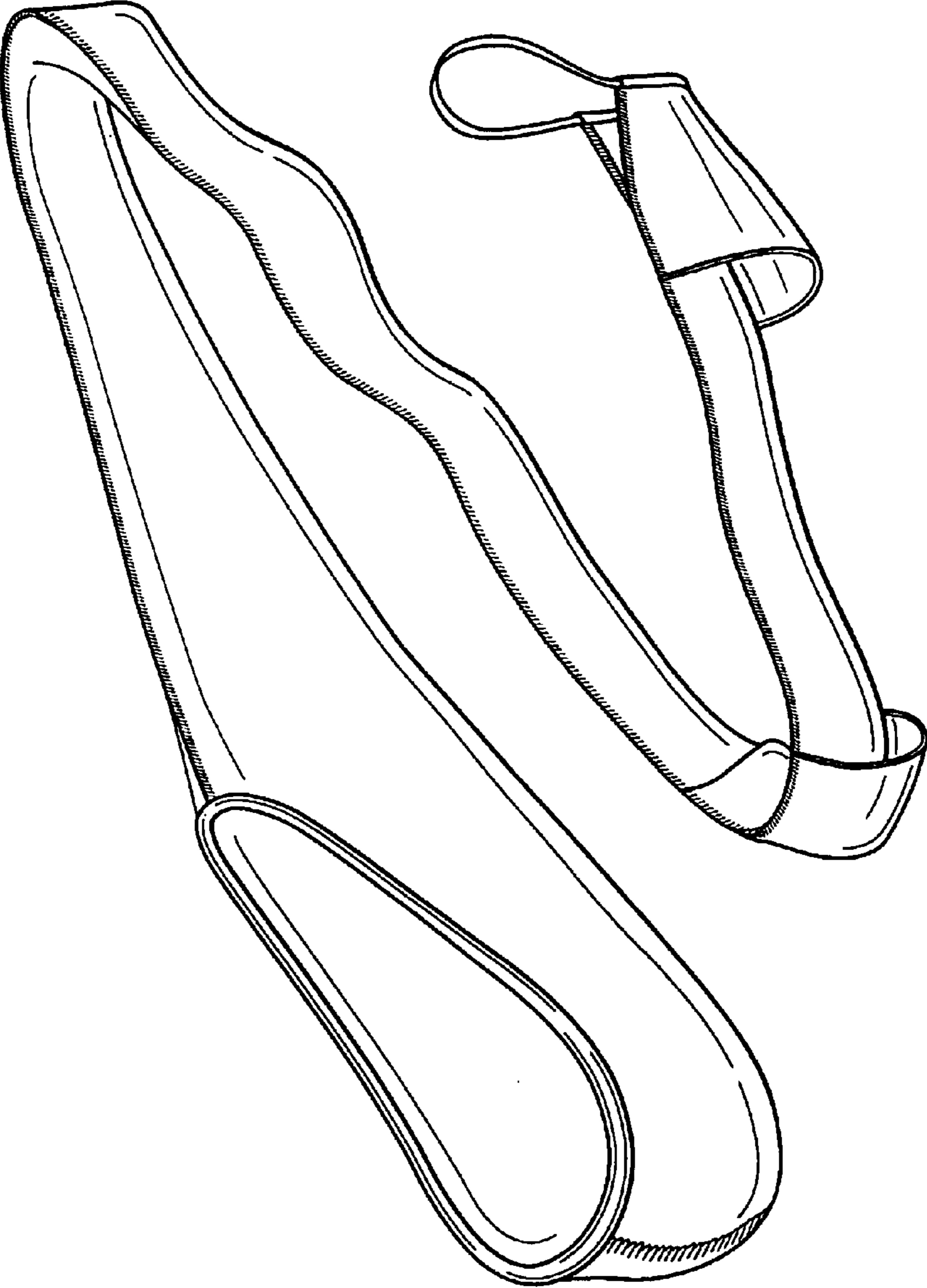


FIG. 2

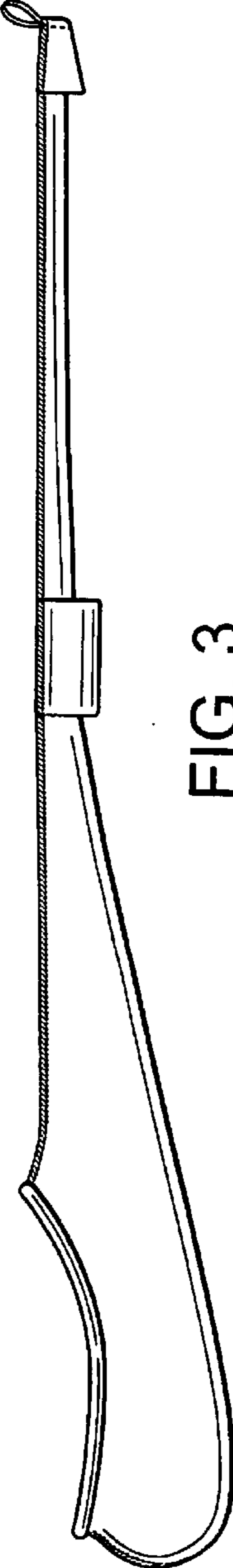


FIG. 3

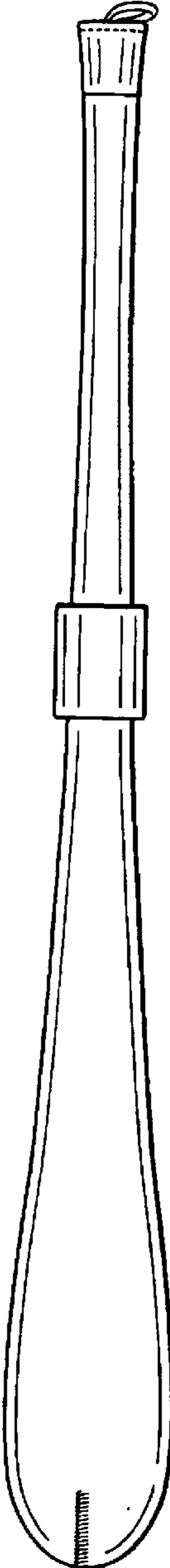


FIG. 4

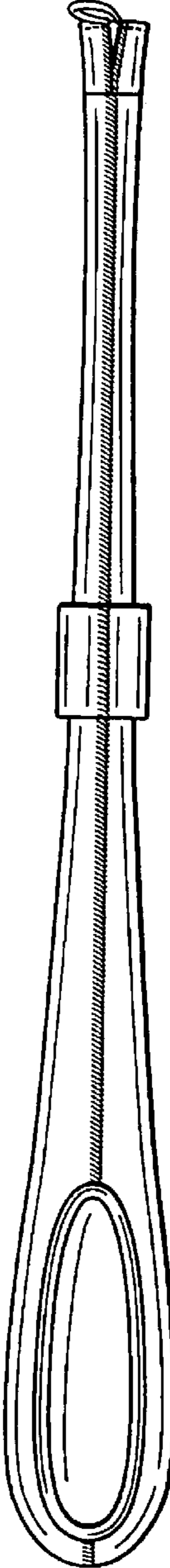


FIG. 5

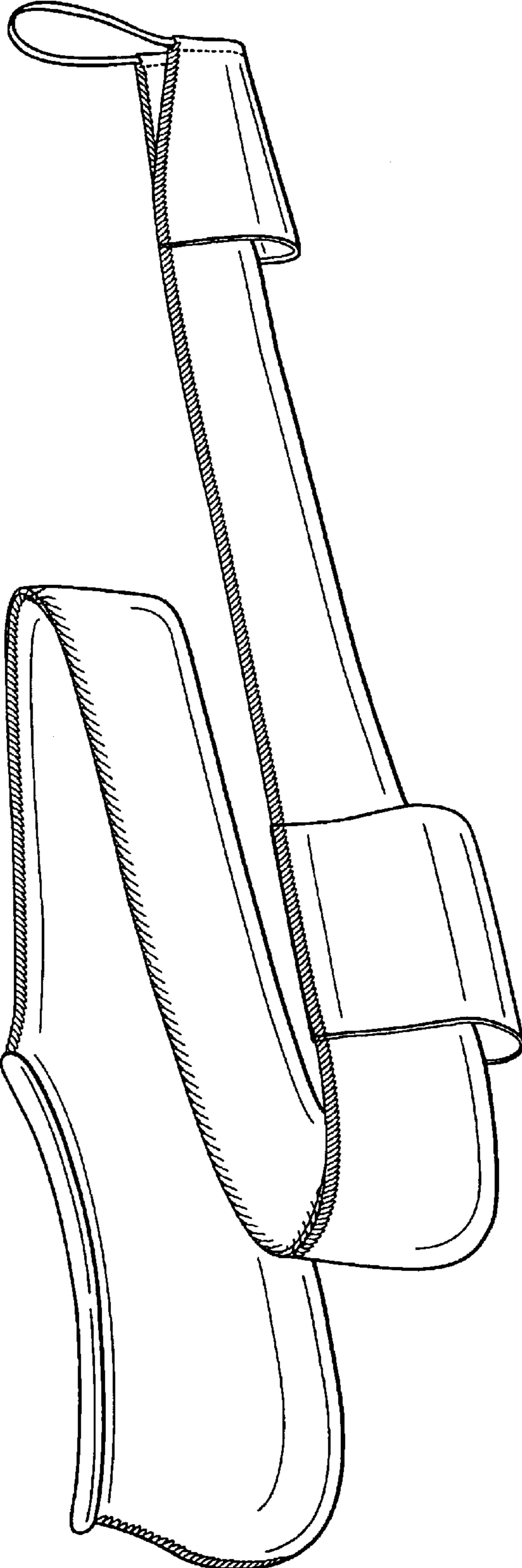


FIG. 6

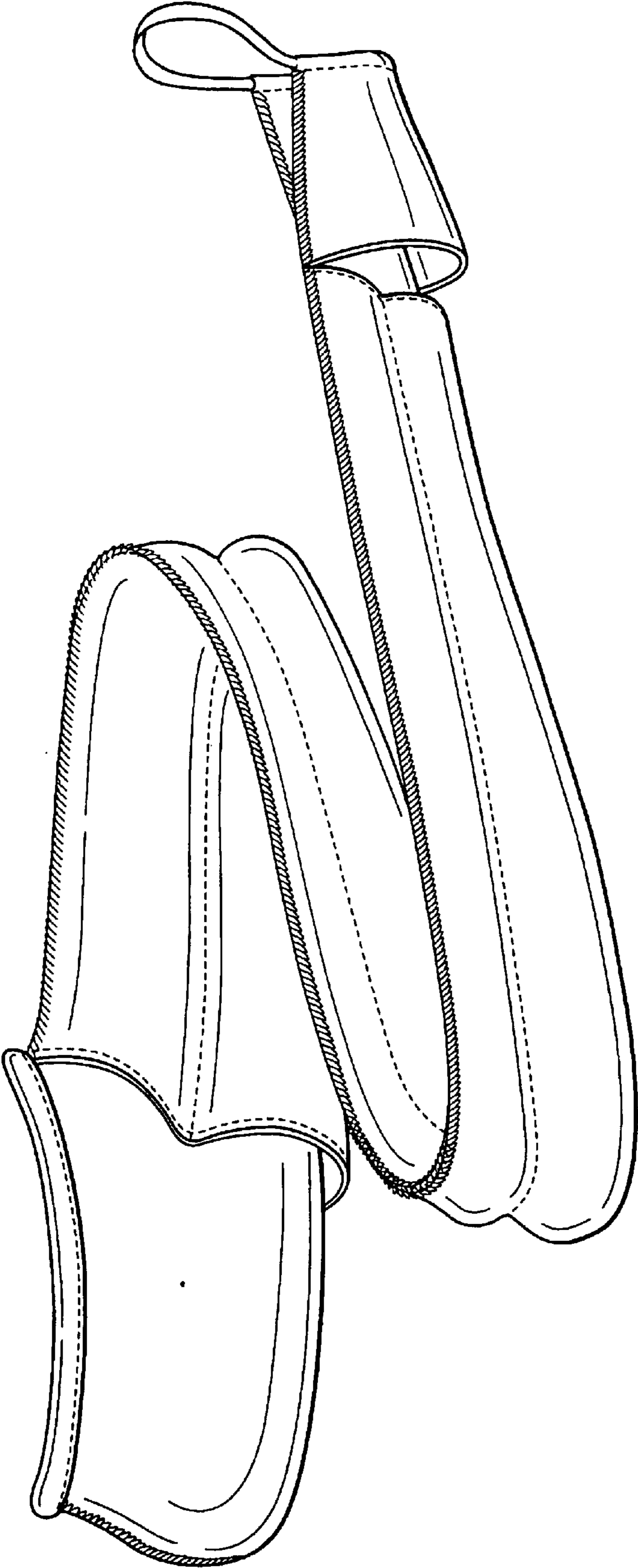


FIG. 7