



US00D537628S

(12) **United States Design Patent**
Teitloff et al.

(10) **Patent No.:** **US D537,628 S**
(45) **Date of Patent:** **** Mar. 6, 2007**

(54) **BOWLING BALL CARRIER**
(75) Inventors: **Randall R. Teitloff**, Paducah, KY (US);
Edward F. Gallagher, Clarksville, TN
(US)

5,791,469 A * 8/1998 Be 206/315.91
6,099,023 A * 8/2000 Be 280/655
6,109,627 A * 8/2000 Be 280/47.19
6,663,119 B2 * 12/2003 White 280/47.26

* cited by examiner

(73) Assignee: **Ebonite International, Inc.**,
Hopkinsville, KY (US)

Primary Examiner—Philip S. Hyder
(74) *Attorney, Agent, or Firm*—Wyatt, Tarrant & Combs,
LLP

(**) Term: **14 Years**

(57) **CLAIM**

(21) Appl. No.: **29/203,387**

The ornamental design for a bowling ball carrier, as shown
and described.

(22) Filed: **Apr. 14, 2004**

(51) **LOC (8) Cl.** **03-01**

(52) **U.S. Cl.** **D3/258; D3/279**

(58) **Field of Classification Search** D3/254,
D3/257, 258, 273, 279, 283, 284; 280/47.19,
280/47.26; 190/18 A; 206/315.91

See application file for complete search history.

DESCRIPTION

FIG. 1 is a perspective view of a bowling ball carrier
according to the present invention.

FIG. 2 is a front view of the bowling ball carrier of FIG. 1.

FIG. 3 is a rear view of the bowling ball carrier of FIGS. 1–2.

FIG. 4 is a side view of the bowling ball carrier of FIGS.
1–3.

FIG. 5 is another side view of the bowling ball carrier of
FIGS. 1–4.

FIG. 6 is a bottom view of the bowling ball carrier of FIGS.
1–5; and,

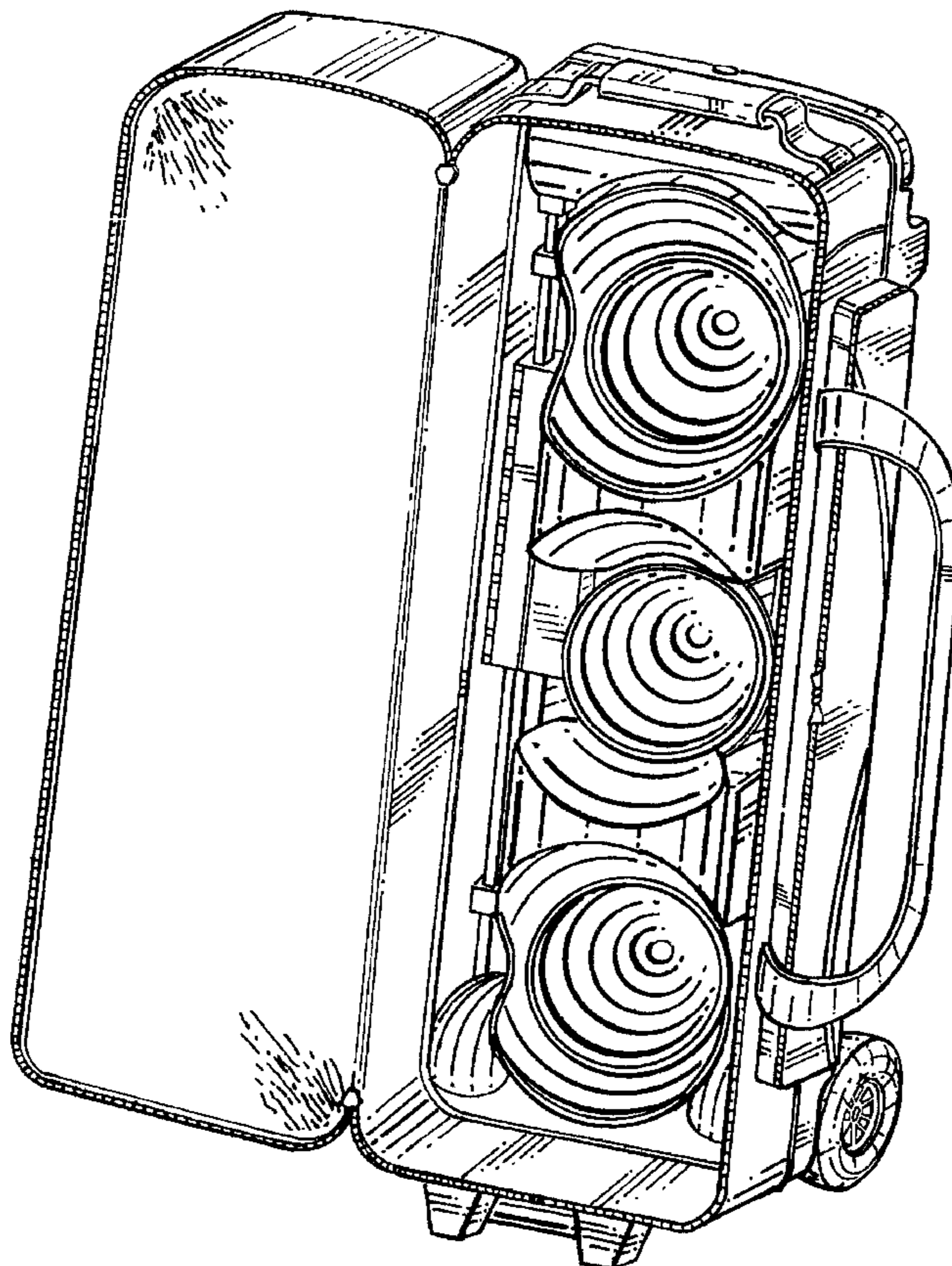
FIG. 7 is a top view of the bowling ball carrier of FIGS. 1–6.

(56) **References Cited**

U.S. PATENT DOCUMENTS

4,066,156 A * 1/1978 Basile 190/18 A
D249,492 S * 9/1978 Morley D34/25
5,074,571 A * 12/1991 Reese 280/47.19
D374,773 S * 10/1996 Domotor D3/279
D387,625 S * 12/1997 Kai Fai D7/605

1 Claim, 6 Drawing Sheets



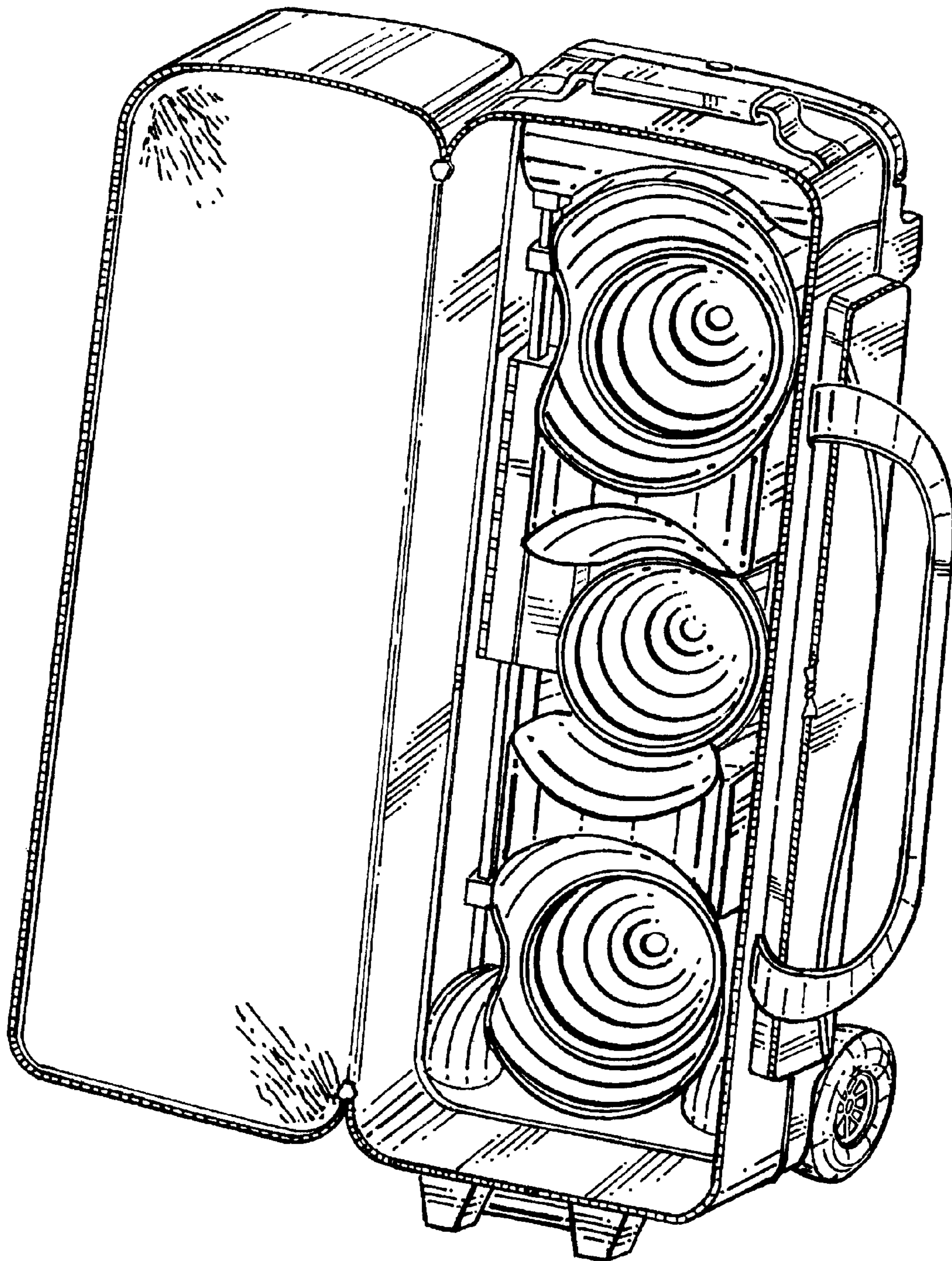


FIG. 1

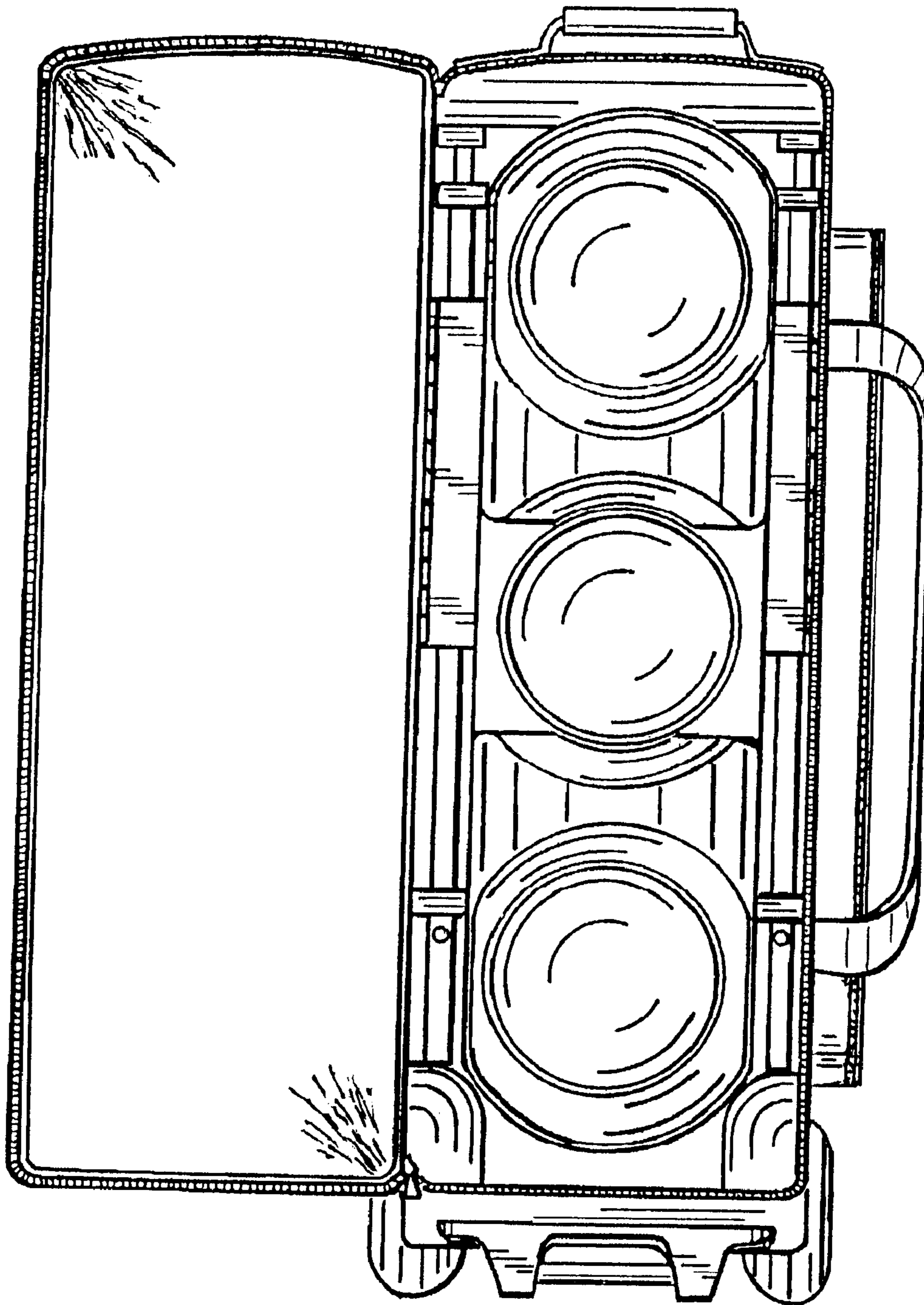


FIG. 2

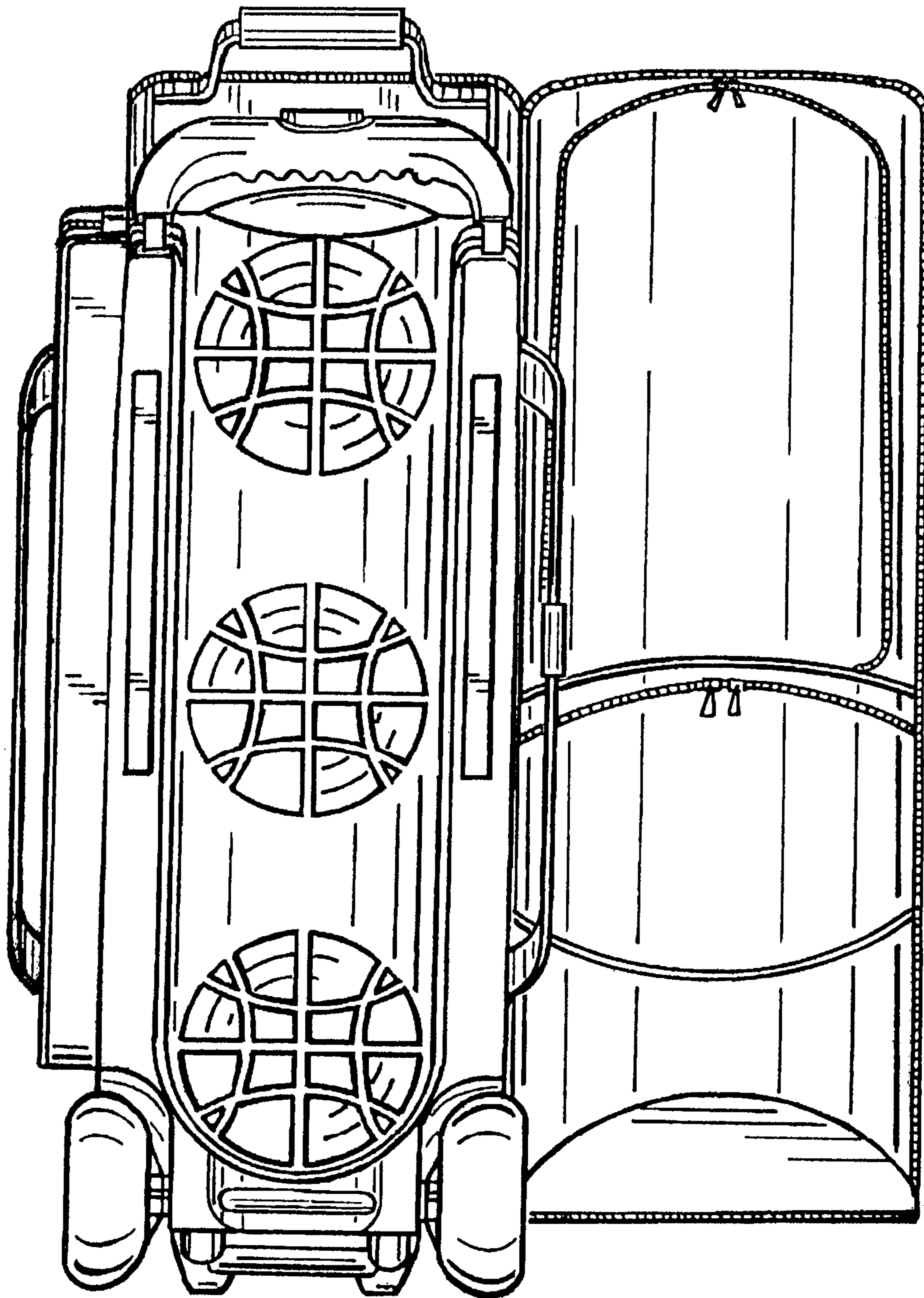


FIGURE 3

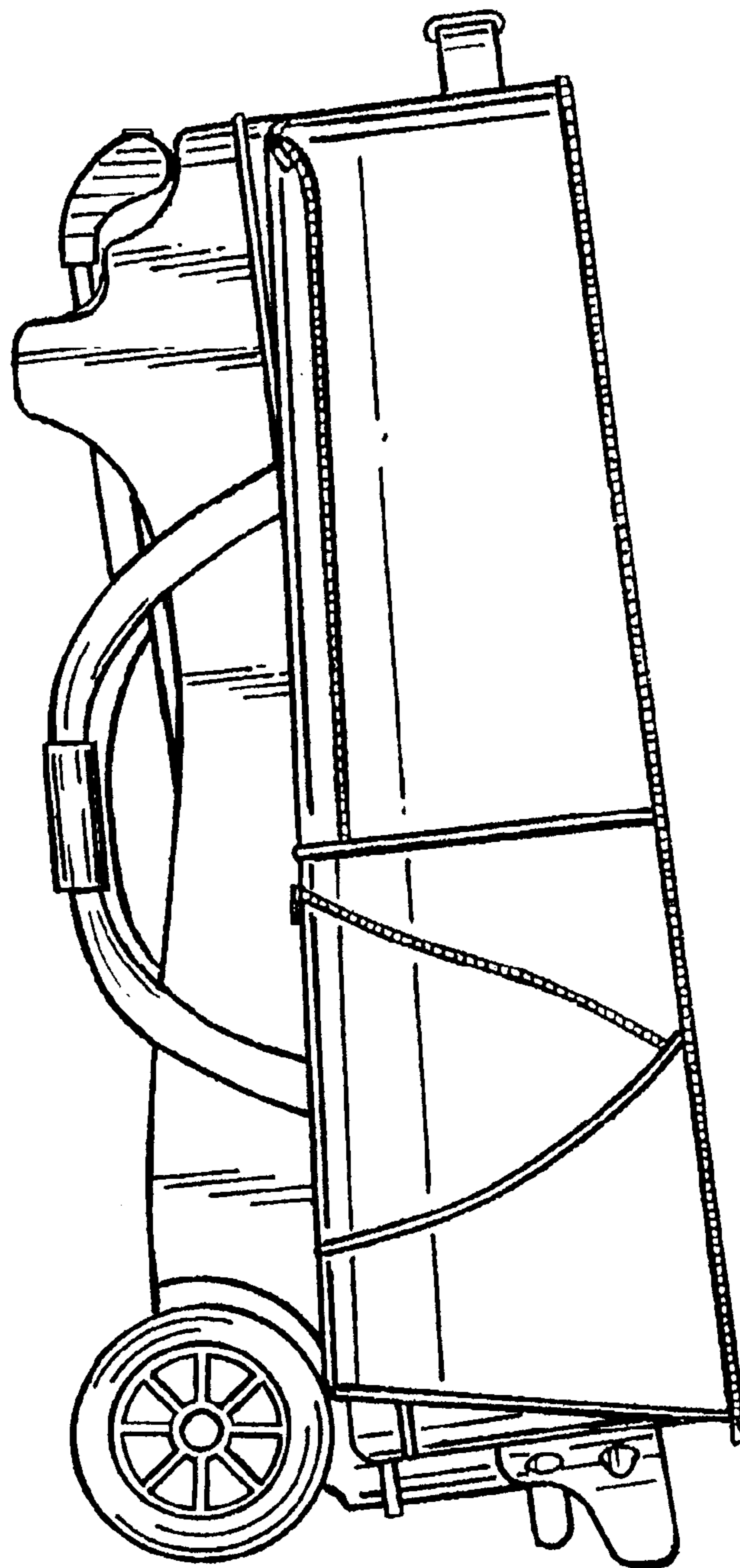


FIG. 4

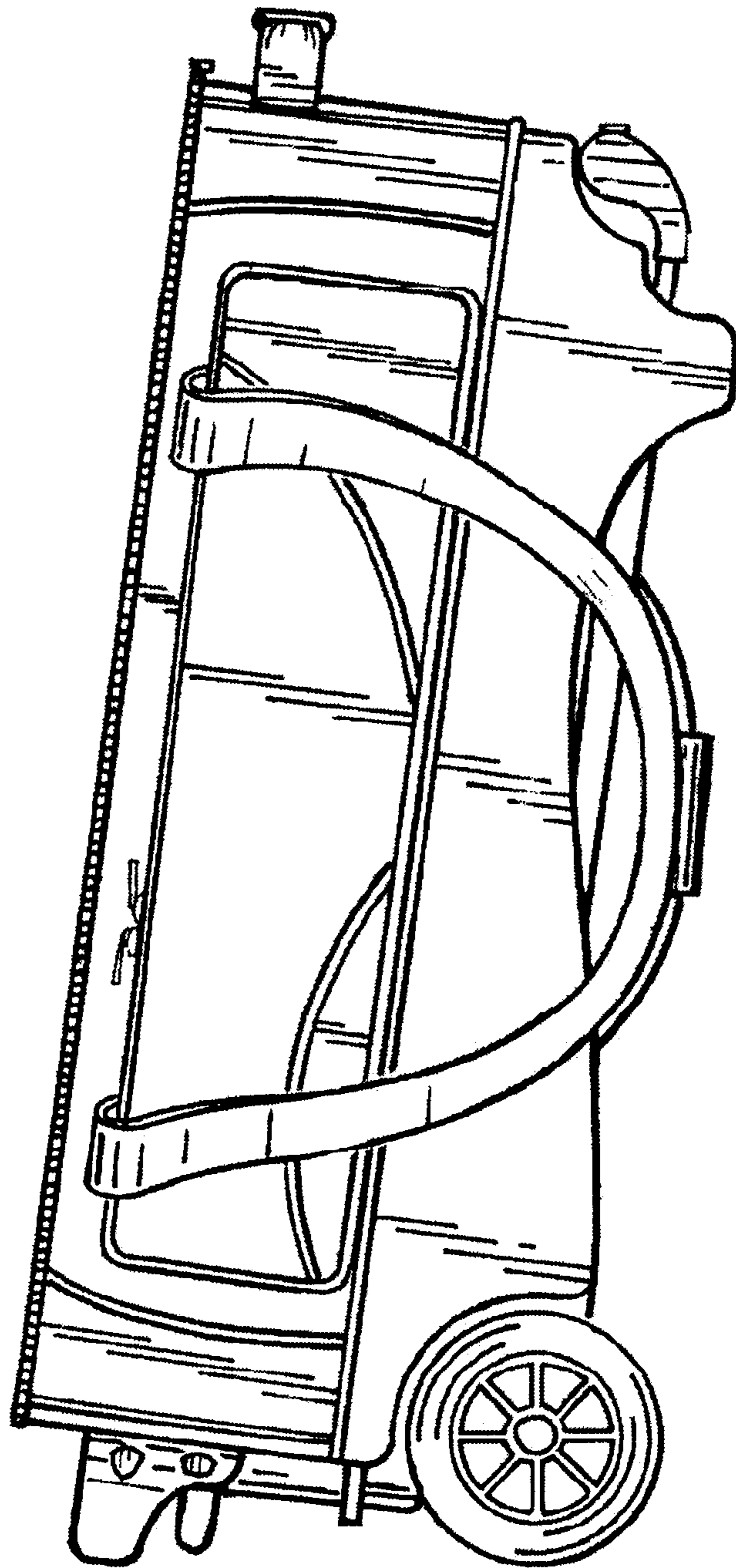


FIG. 5

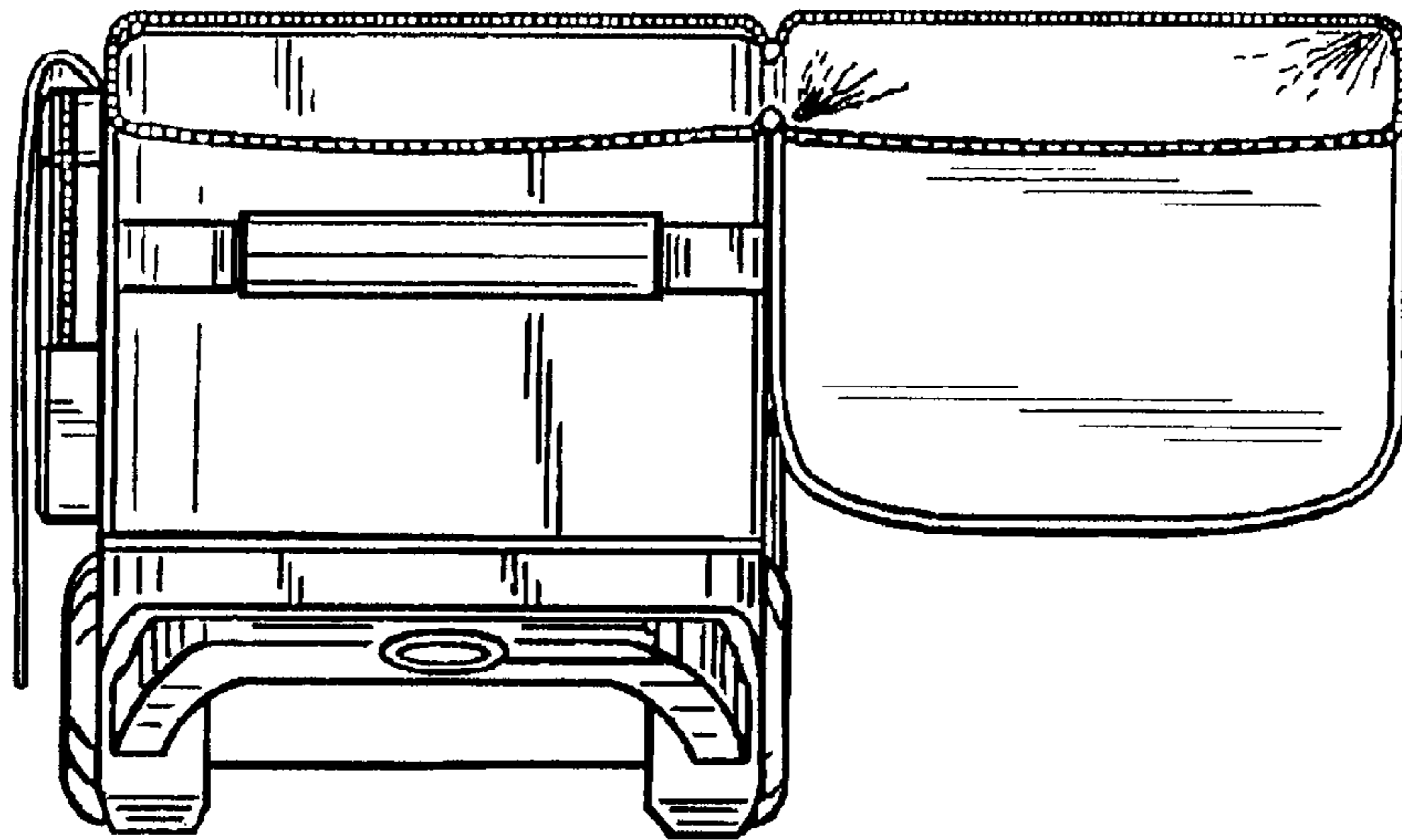


FIG. 6

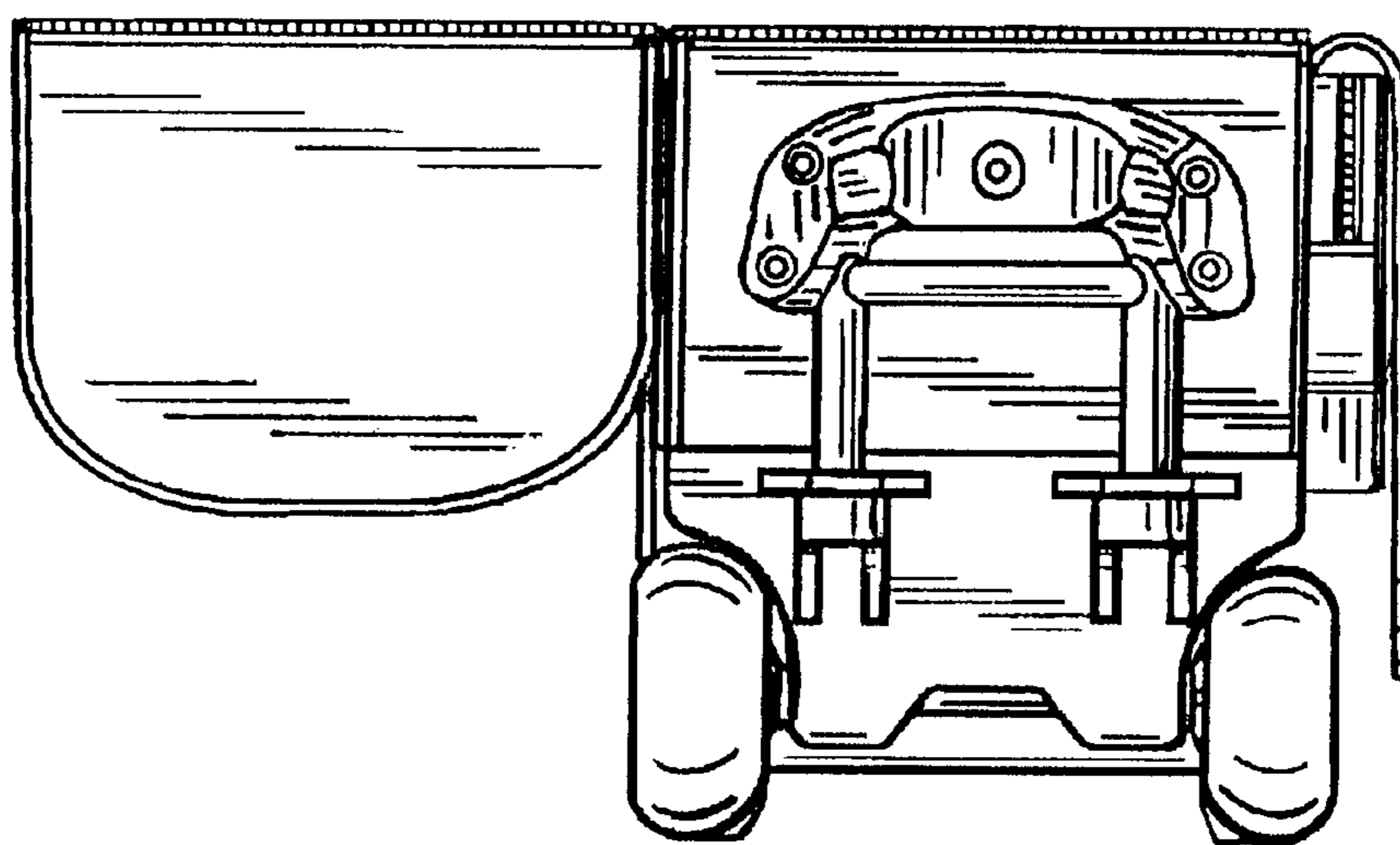


FIG. 7