



US00D537625S

(12) **United States Design Patent**  
**Michelin et al.**

(10) **Patent No.:** **US D537,625 S**  
(45) **Date of Patent:** **\*\* Mar. 6, 2007**

(54) **ORGANIZING CARRIER**

(75) Inventors: **Henry Michelin**, Niskayuna, NY (US);  
**Inna Spektor**, Niskayuna, NY (US);  
**Nancy Gold**, Schenectady, NY (US)

(73) Assignee: **Tough Traveler Ltd.**, Schenectady, NY (US)

(\*\*) Term: **14 Years**

(21) Appl. No.: **29/206,125**

(22) Filed: **May 26, 2004**

(51) **LOC (8) Cl.** ..... **03-01**

(52) **U.S. Cl.** ..... **D3/226**

(58) **Field of Classification Search** ..... D3/226,  
D3/215-233; 224/240, 222, 219, 267, 673-674,  
224/904, 908-909, 918, 922-923

See application file for complete search history.

(56) **References Cited**

**U.S. PATENT DOCUMENTS**

D442,777 S \* 5/2001 Smith ..... D3/226

D472,702 S \* 4/2003 Hassett ..... D3/218  
D498,048 S \* 11/2004 Reichardt ..... D3/228  
D509,057 S \* 9/2005 Bollig ..... D3/226  
D519,276 S \* 4/2006 Jameson ..... D3/226

\* cited by examiner

*Primary Examiner*—Catherine R. Oliver

(57) **CLAIM**

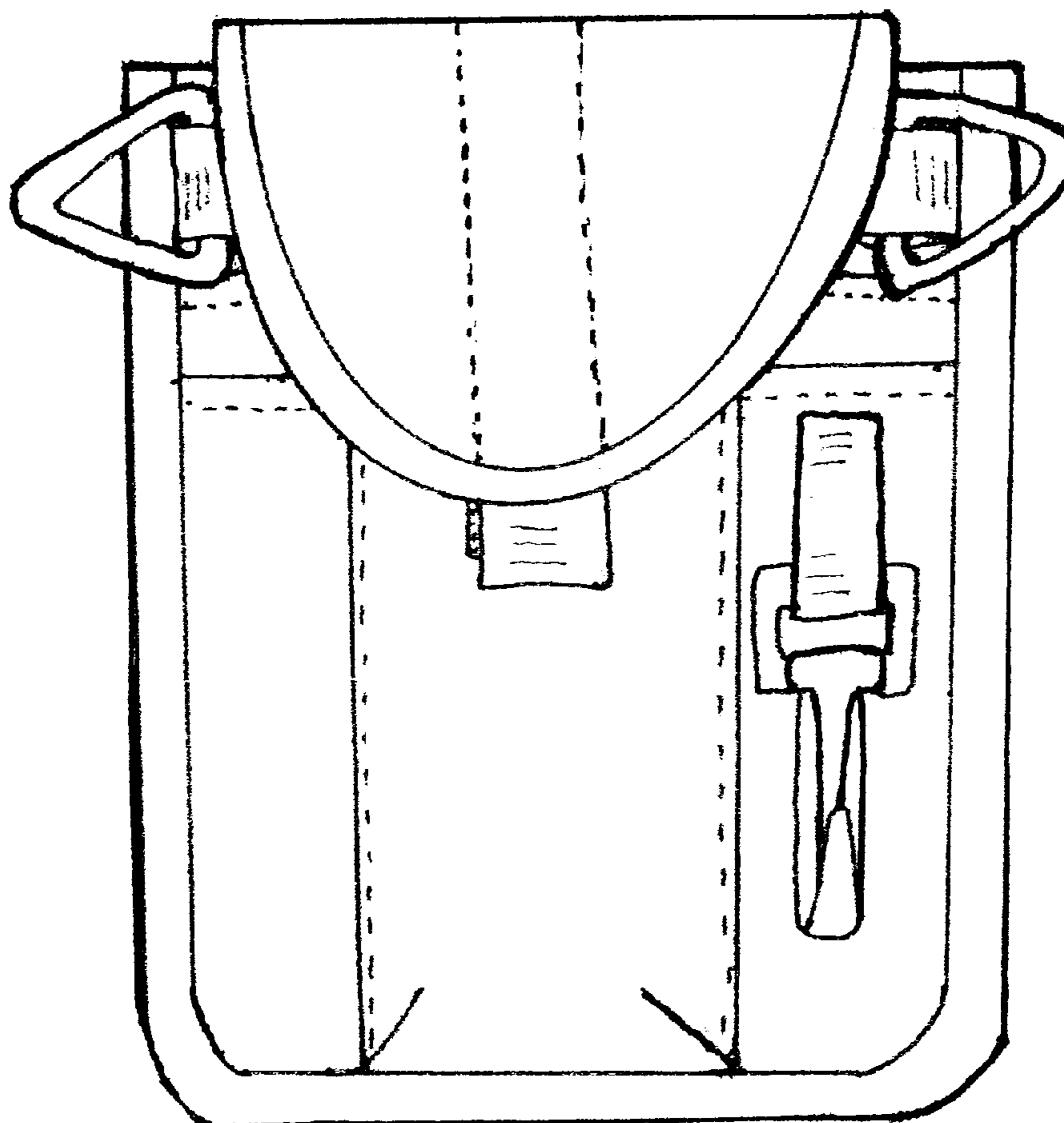
The ornamental design for an organizing carrier, as shown and described.

**DESCRIPTION**

FIG. 1 is a front view of the organizing carrier showing our new design, with the flap shown closed;  
FIG. 2 is a front view thereof, with the flap shown open;  
FIG. 3 is a rear view thereof, with the flap shown closed;  
FIG. 4 is a rear view thereof, with the flap shown open;  
FIG. 5 is a right side view thereof; and,  
FIG. 6 is a left side view there.

The broken lines shown on the surface of the organizing carrier are understood to represent stitching.

**1 Claim, 6 Drawing Sheets**



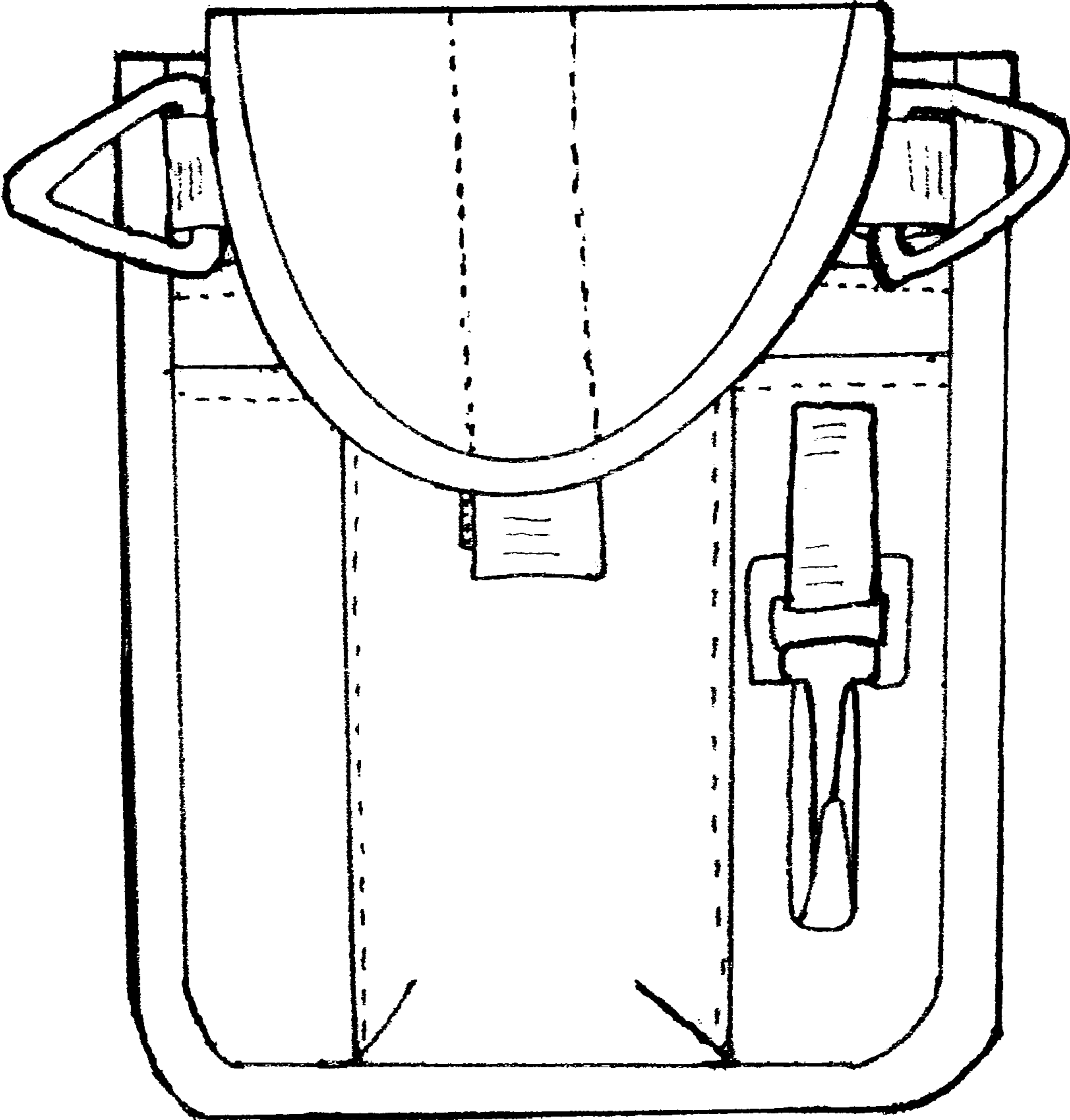


FIG. 1

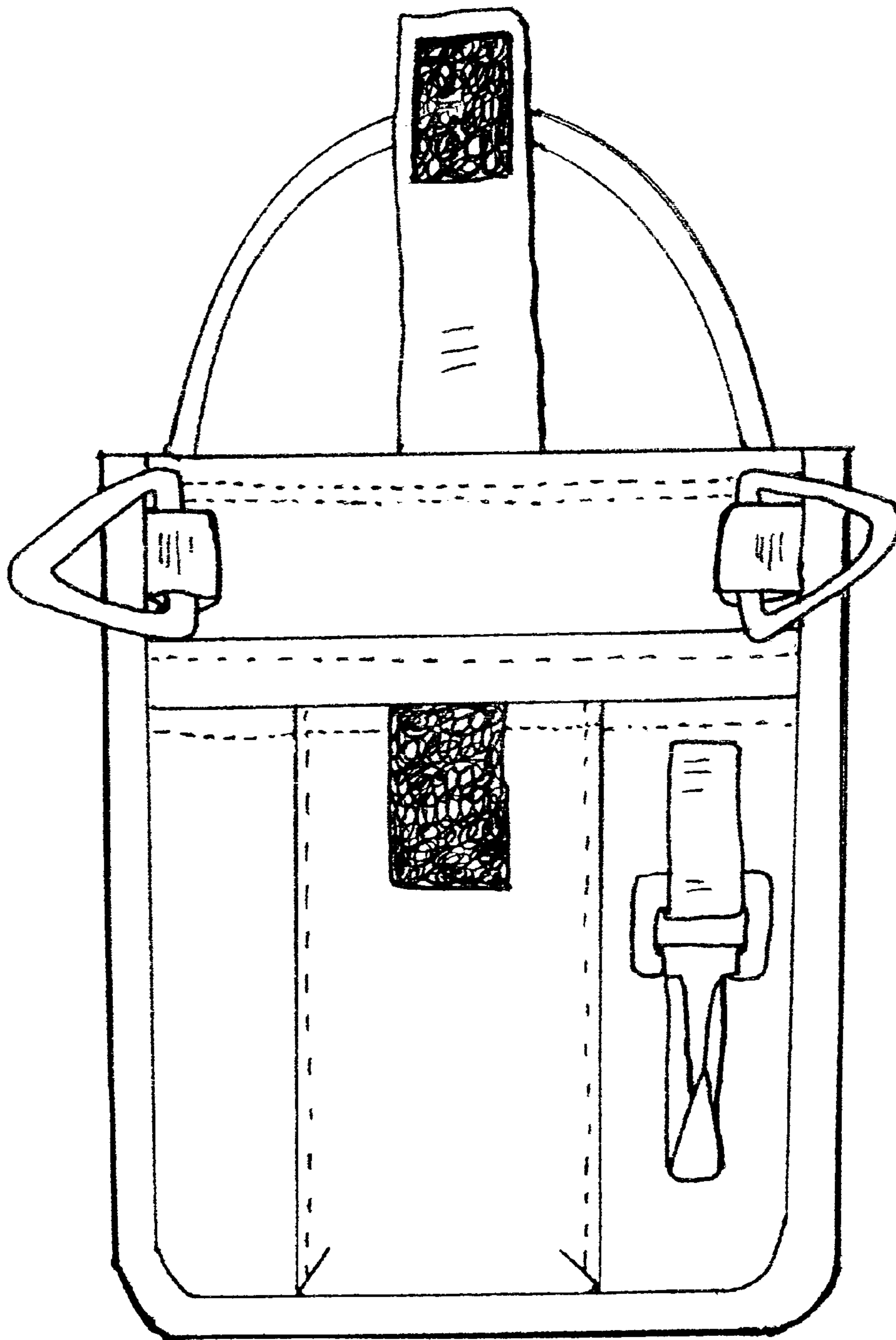


FIG. 2

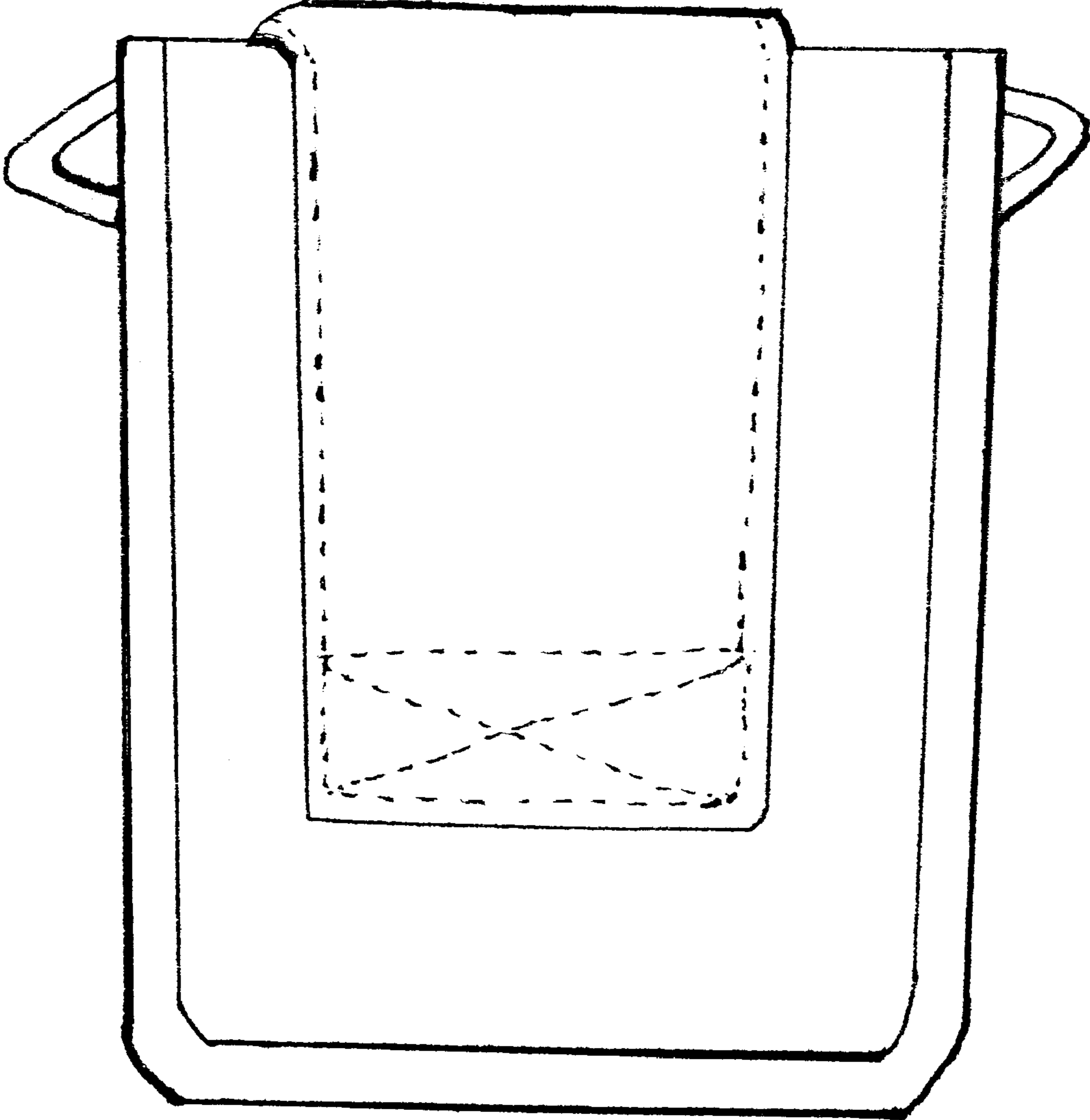


FIG. 3

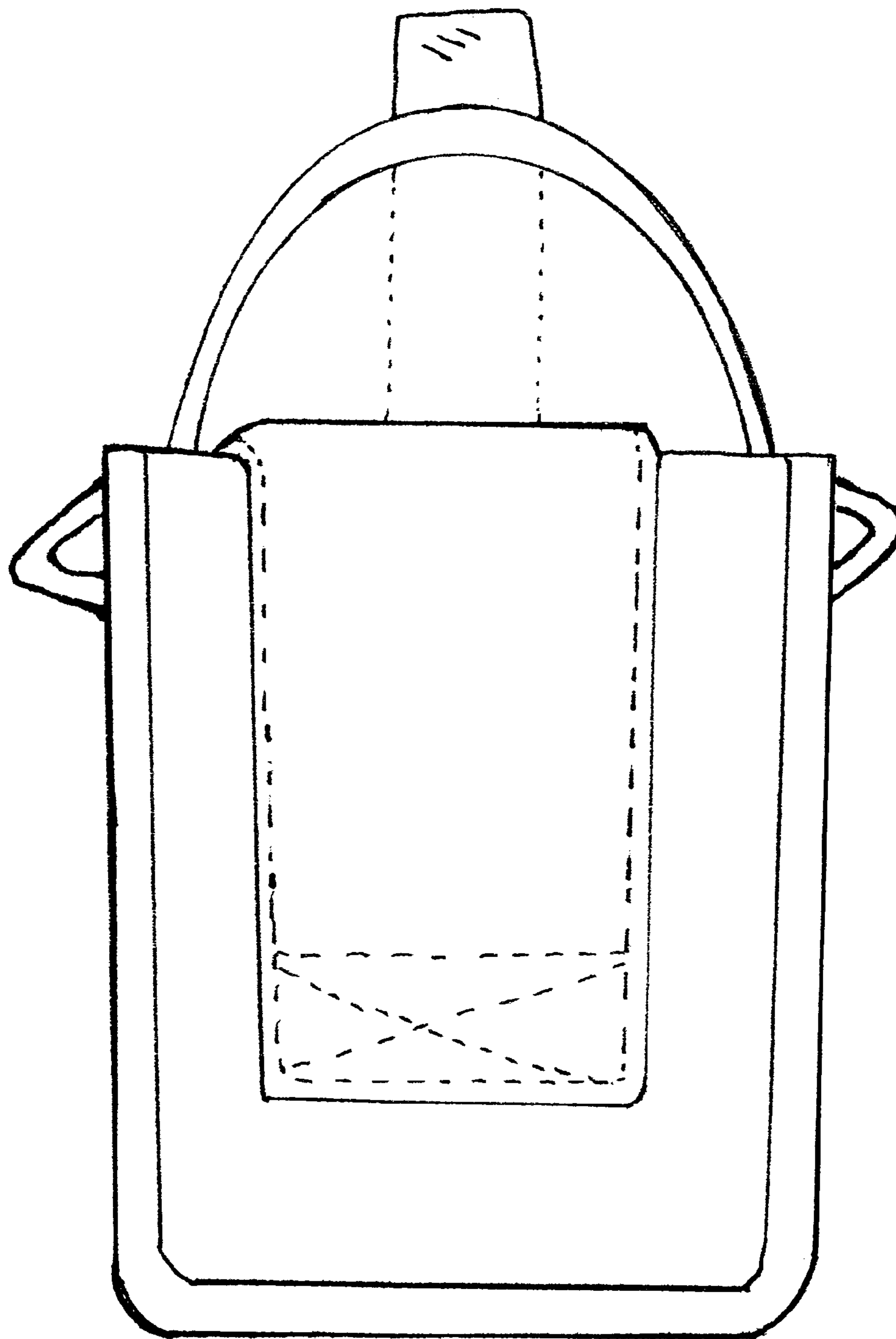


FIG. 4

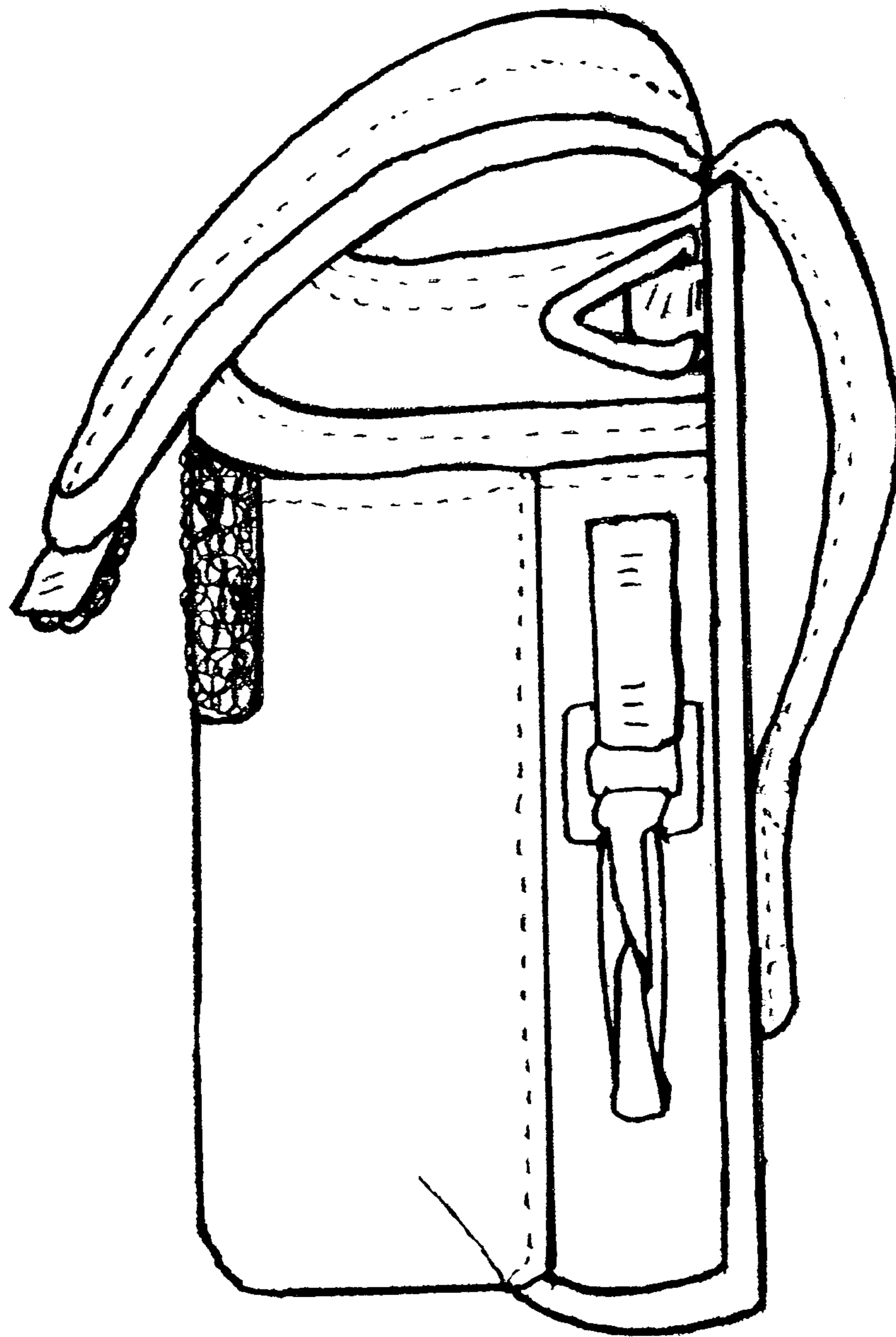


FIG. 5

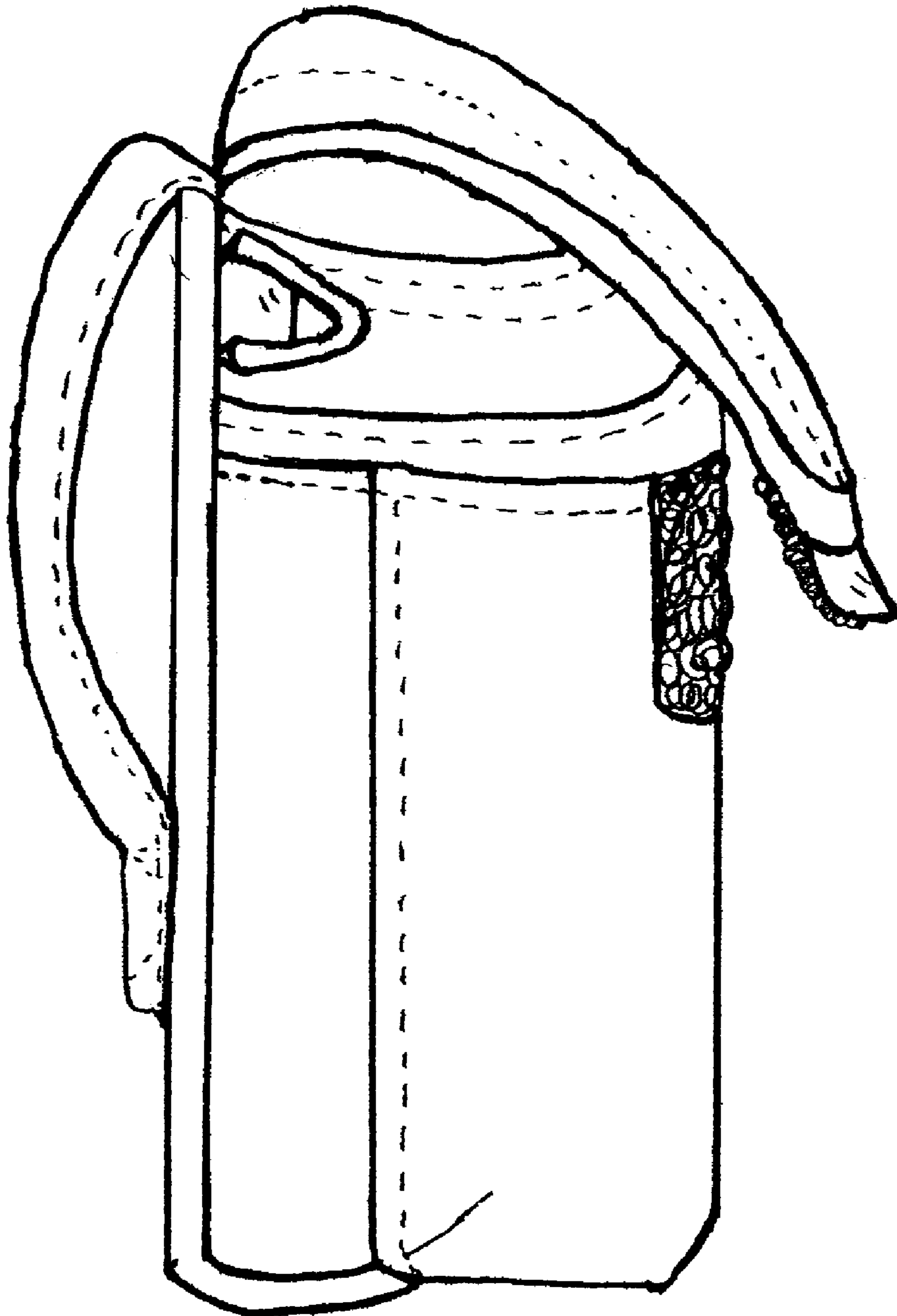


FIG. 6