



US00D537621S

(12) **United States Design Patent** (10) **Patent No.:** **US D537,621 S**
Rosen et al. (45) **Date of Patent:** **** Mar. 6, 2007**

(54) **WRITING IMPLEMENT CASE**

(75) Inventors: **Lawrence I. Rosen**, Mendham, NJ (US); **Parviz Daftari**, Summit, NJ (US)

(73) Assignee: **Mega Brands International**, Zug (CH)

(**) Term: **14 Years**

(21) Appl. No.: **29/213,893**

(22) Filed: **Sep. 24, 2004**

(51) **LOC (8) Cl.** **03-01**

(52) **U.S. Cl.** **D3/206**

(58) **Field of Classification Search** D3/206, D3/273, 276, 294–296, 201, 274, 905, 284; 190/110, 111; 206/349, 372, 373, 379; D19/81–85; D9/457, 414, 415, 418, 420, 423, 424
See application file for complete search history.

(56) **References Cited**

U.S. PATENT DOCUMENTS

D153,069	S	*	3/1949	Linneman	D3/295
3,429,427	A	*	2/1969	Wolf	206/214
4,304,330	A	*	12/1981	Winkler et al.	206/214
D315,446	S	*	3/1991	Dietterich et al.	D3/206
5,133,455	A	*	7/1992	Chow	206/374
D481,533	S	*	11/2003	McGillivray et al.	D3/206
2003/0192808	A1		10/2003	Clarizio et al.		

OTHER PUBLICATIONS

U.S. Appl. No. 29/213,883 entitled “Writing Implement Case”, filed Sep. 24, 2004, Inventors: L. I. Rosen and P. Daftari.

U.S. Appl. No. 29/213,885 entitled “Writing Implement Case”, filed Sep. 24, 2004, Inventors: L. I. Rosen and P. Daftari.

U.S. Appl. No. 29/213,884 entitled “Writing Implement Case With Handle”, filed Sep. 24, 2004, Inventors: L. I. Rosen et al.

* cited by examiner

Primary Examiner—Louis S. Zarfaz

Assistant Examiner—Kathleen Sims

(74) *Attorney, Agent, or Firm*—McCarter & English, LLP

(57) **CLAIM**

The ornamental design for a writing implement case, as shown and described.

DESCRIPTION

FIG. 1 is a front and top perspective view of a writing implement case showing a first embodiment of our new design, the case having a generally translucent body and a generally transparent lid, which is shown in a closed position;

FIG. 2 is a top plan view of the first embodiment;

FIG. 3 is a bottom plan view of the first embodiment;

FIG. 4 is a front elevational view of the first embodiment;

FIG. 5 is a rear elevational view of the first embodiment;

FIG. 6 is a right side elevational view of the first embodiment;

FIG. 7 is a left side elevational view of the first embodiment;

FIG. 8 is a front and top perspective view of the case depicted in FIG. 1, the case being shown in an open position with writing implements indicated in broken lines as environmental structure which form no part of the claimed design;

FIG. 9 is a front and top perspective view of a writing implement case showing a second embodiment of our new design, the case having a generally opaque body and a generally transparent lid, which is shown in a closed position;

FIG. 10 is a top plan view of the second embodiment;

FIG. 11 is a bottom plan view of the second embodiment;

FIG. 12 is a front elevational view of the second embodiment;

FIG. 13 is a rear elevational view of the second embodiment;

FIG. 14 is a right side elevational view of the second embodiment;

FIG. 15 is a left side elevational view of the second embodiment;

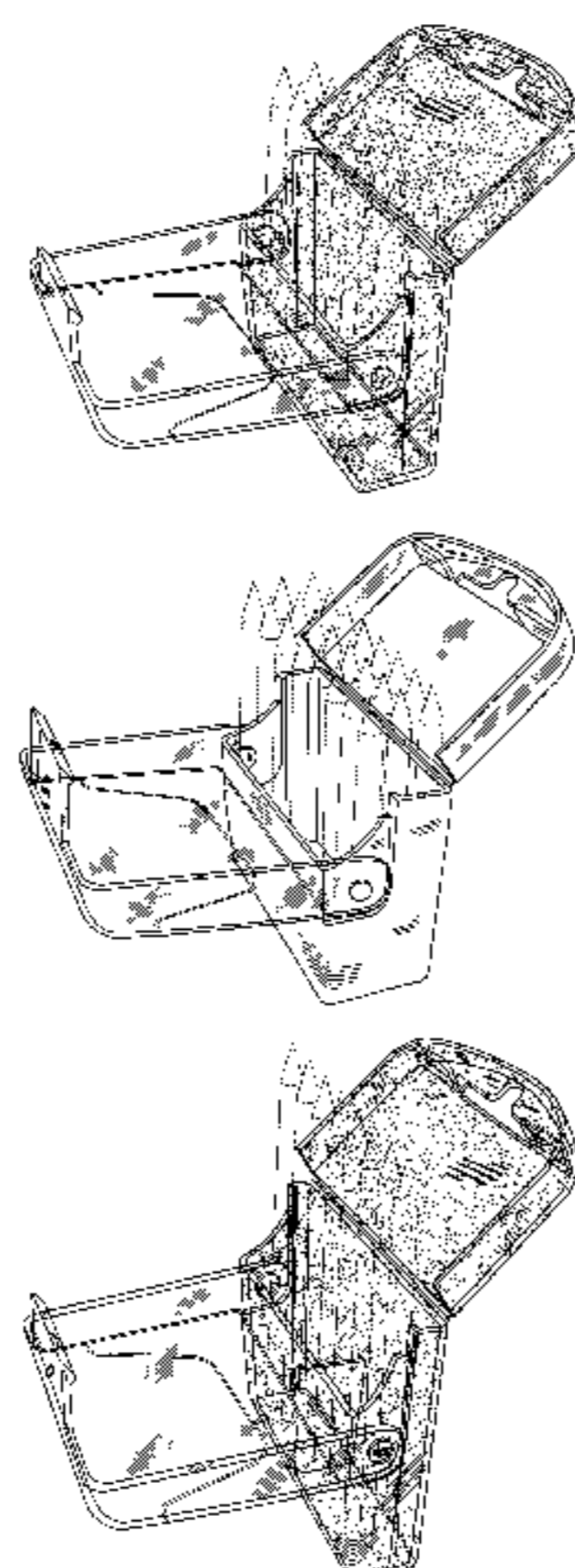


FIG. 16 is a front and top perspective view of the case depicted in FIG. 9, the case being shown in an open position with writing implements indicated in broken lines as environmental structure which form no part of the claimed design;

FIG. 17 is a front and top perspective view of a writing implement case showing a third embodiment of our new design, the case having a generally translucent body and a generally transparent lid, which is shown in a closed position;

FIG. 18 is a top plan view of the third embodiment;

FIG. 19 is a bottom plan view of the third embodiment;

FIG. 20 is a front elevational view of the third embodiment;

FIG. 21 is a rear elevational view of the third embodiment;

FIG. 22 is a right side elevational view of the third embodiment;

FIG. 23 is a left side elevational view of the third embodiment; and,

FIG. 24 is a front and top perspective view of the case depicted in FIG. 17, the case being shown in an open position with writing implements indicated in broken lines as environmental structure which form no part of the claimed design.

1 Claim, 12 Drawing Sheets

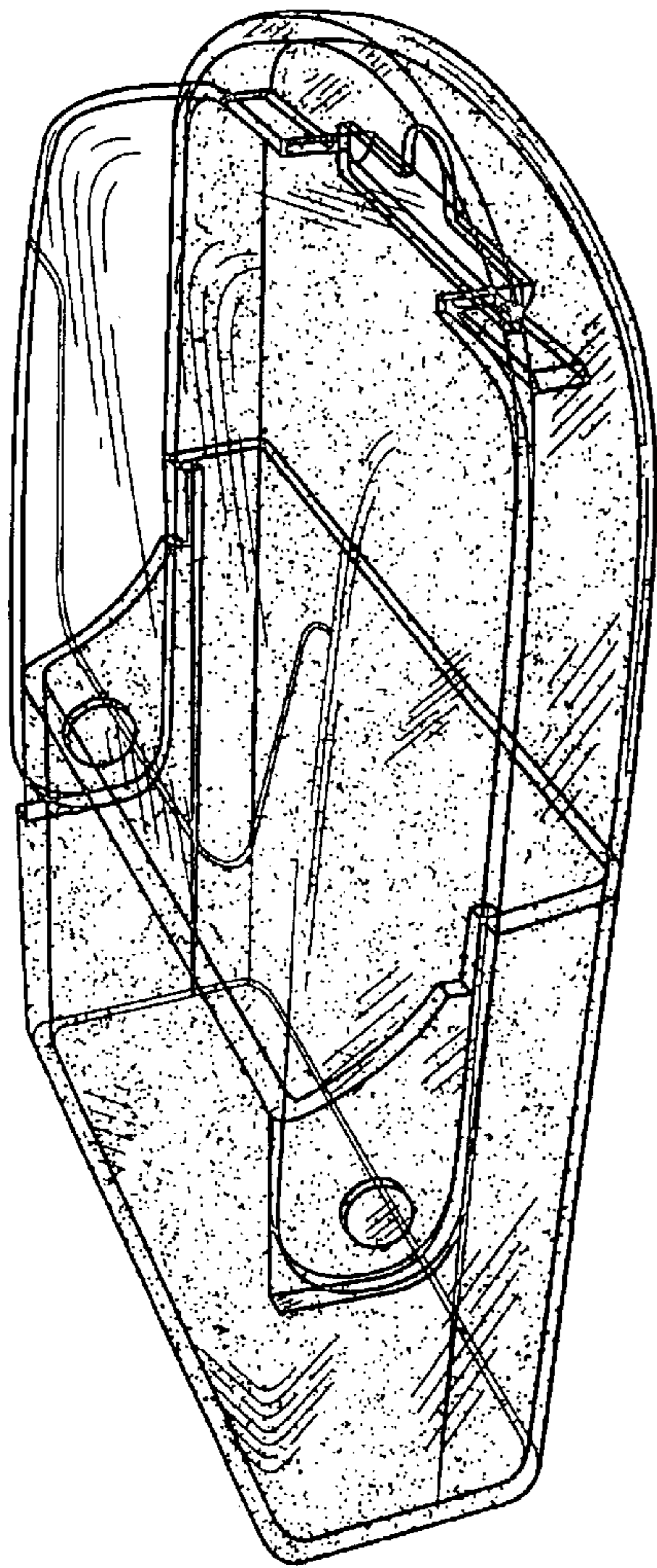


FIG. 1

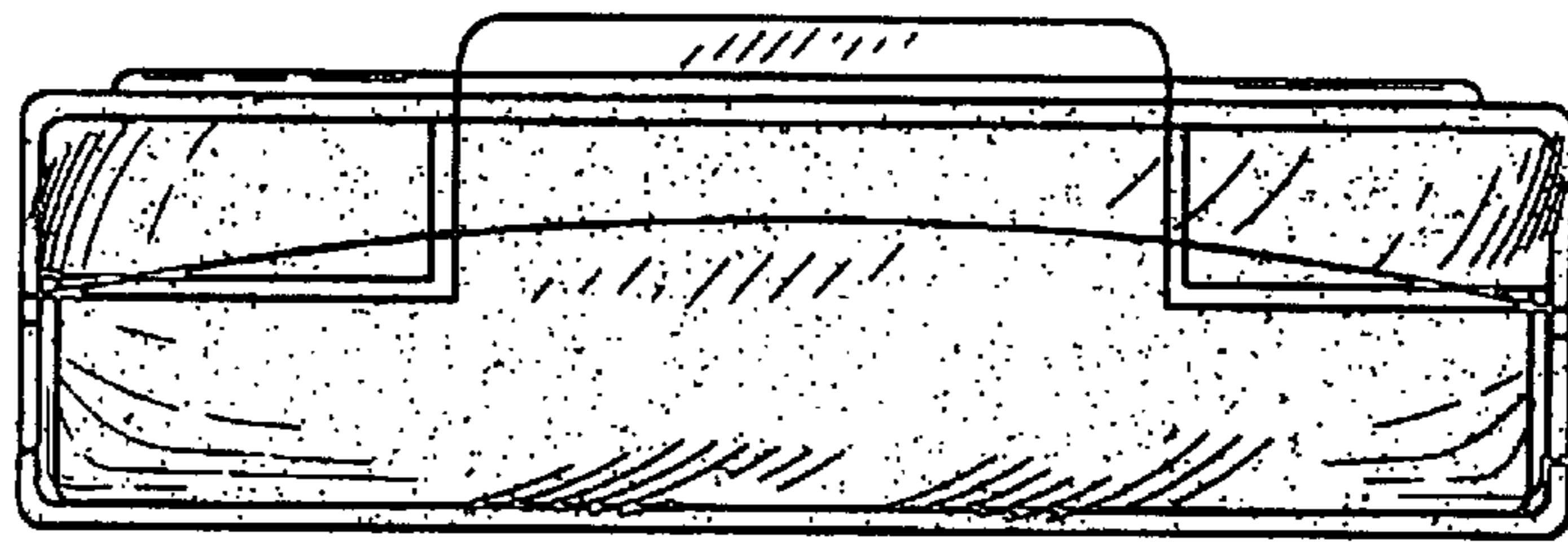


FIG. 2

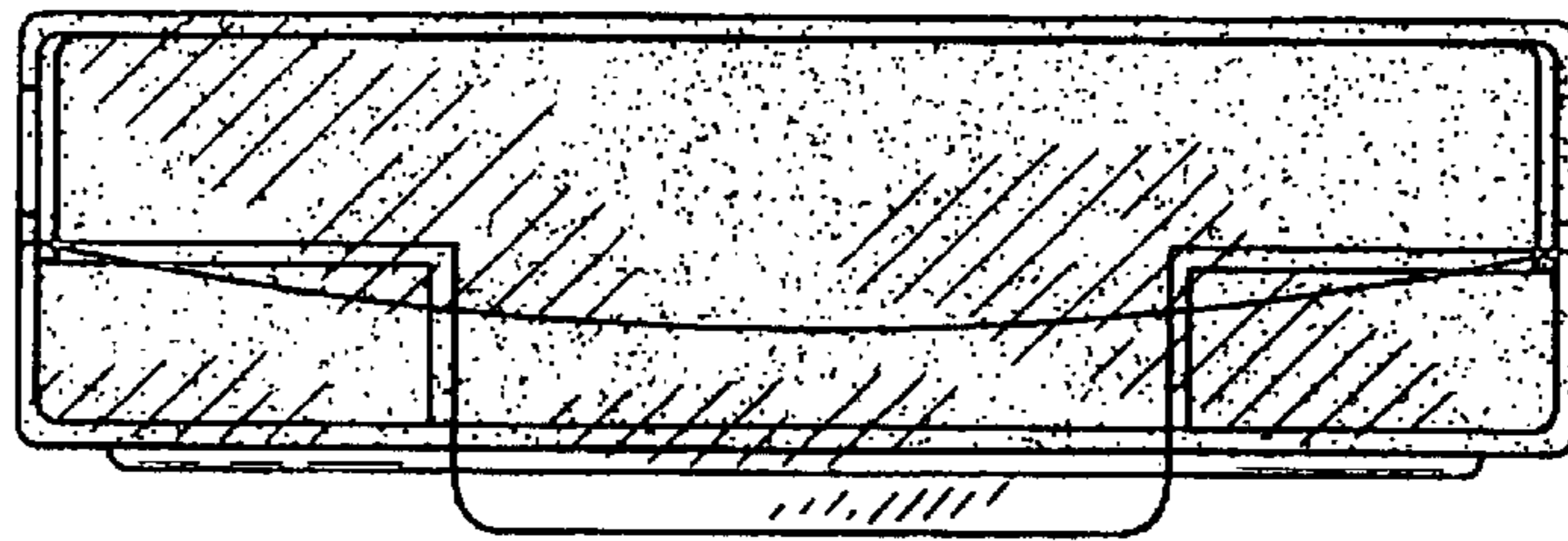


FIG. 3

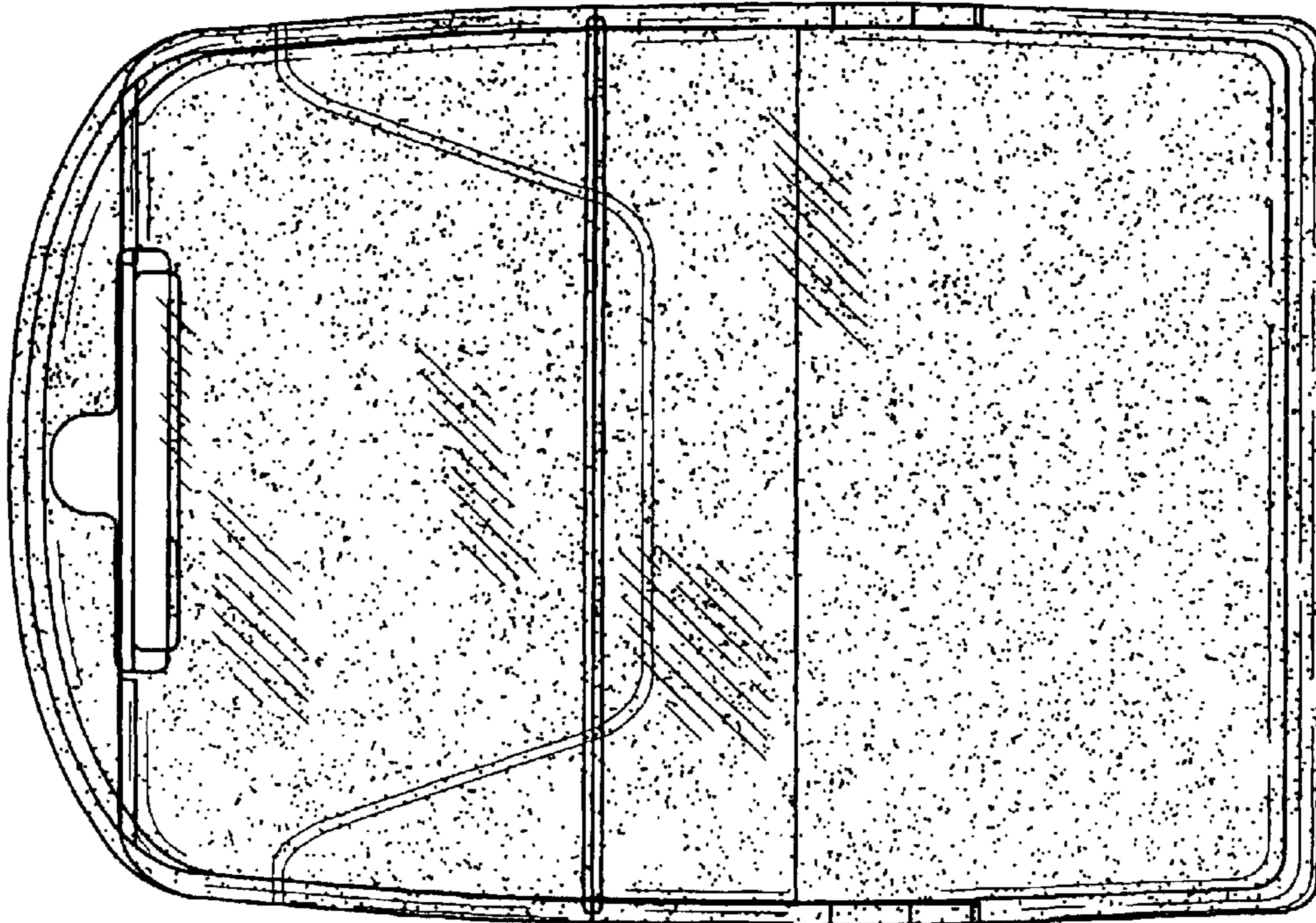


FIG. 5

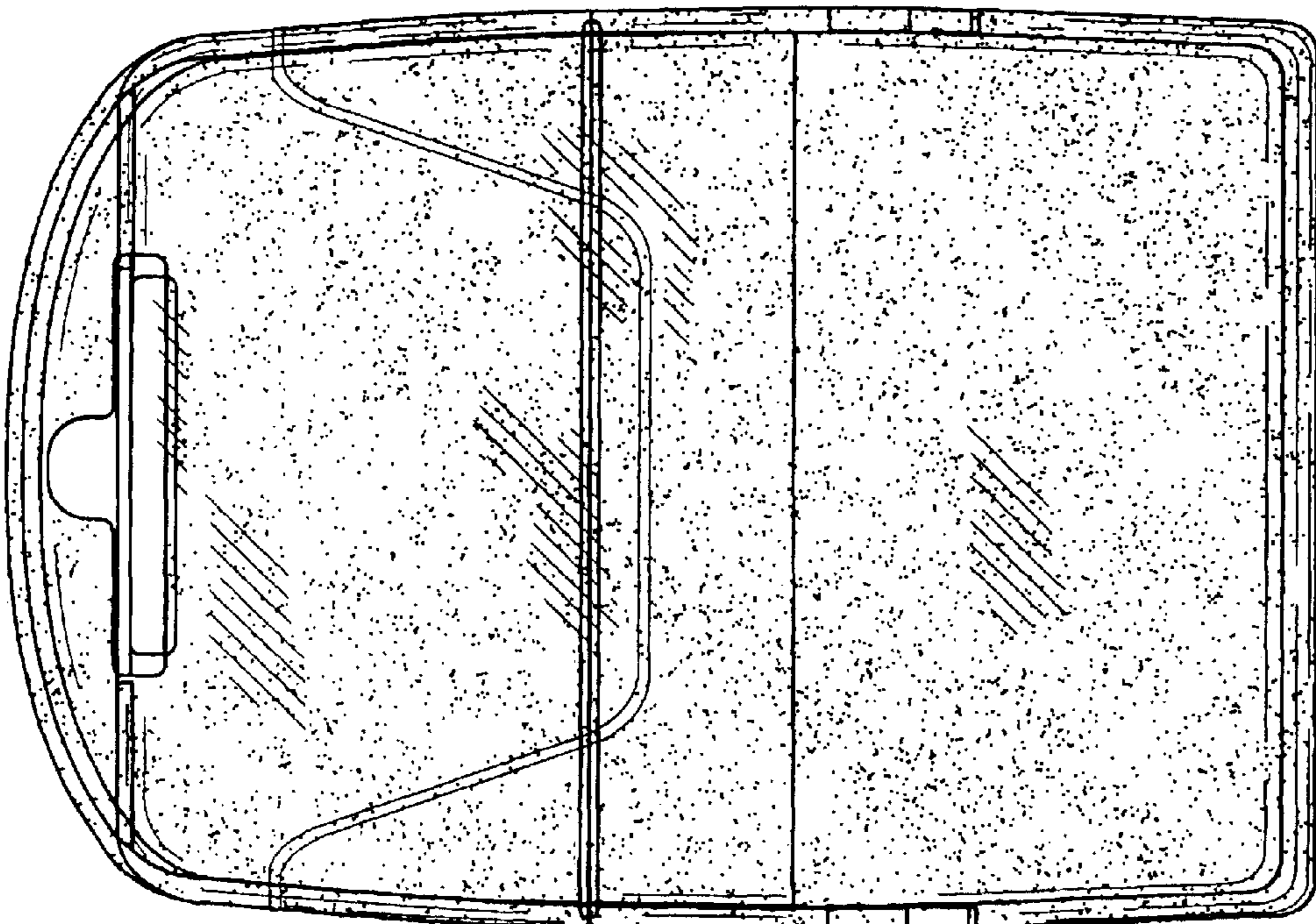


FIG. 4

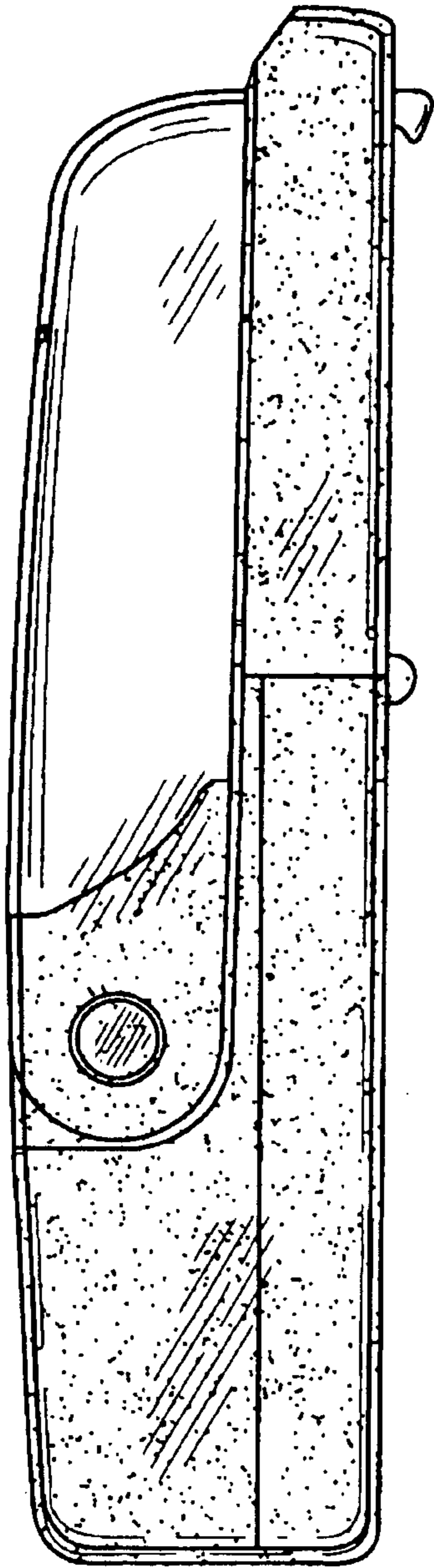


FIG. 6

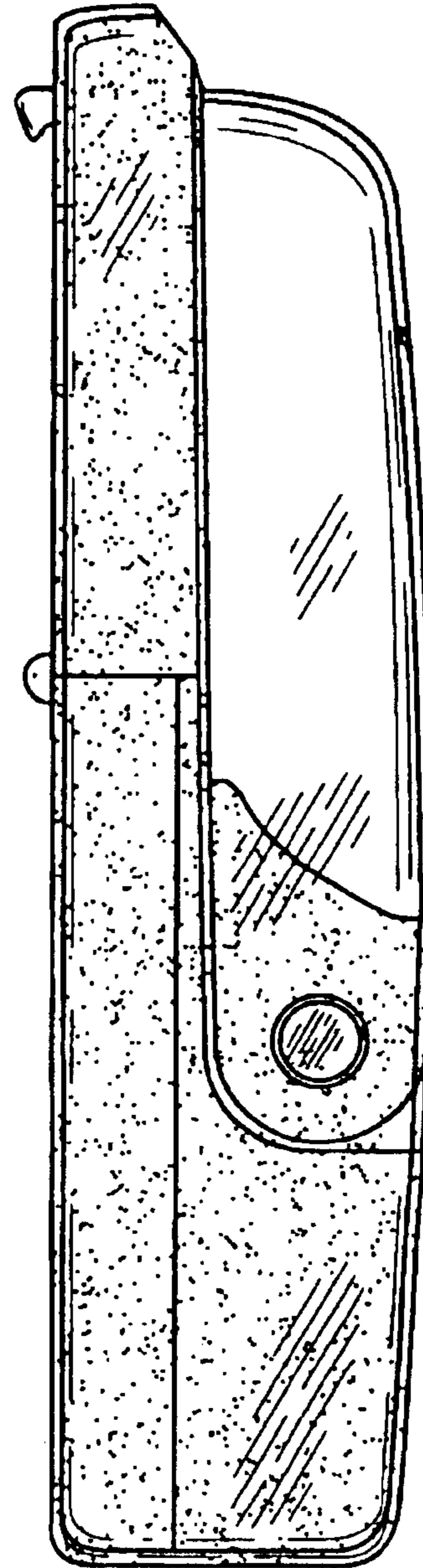


FIG. 7

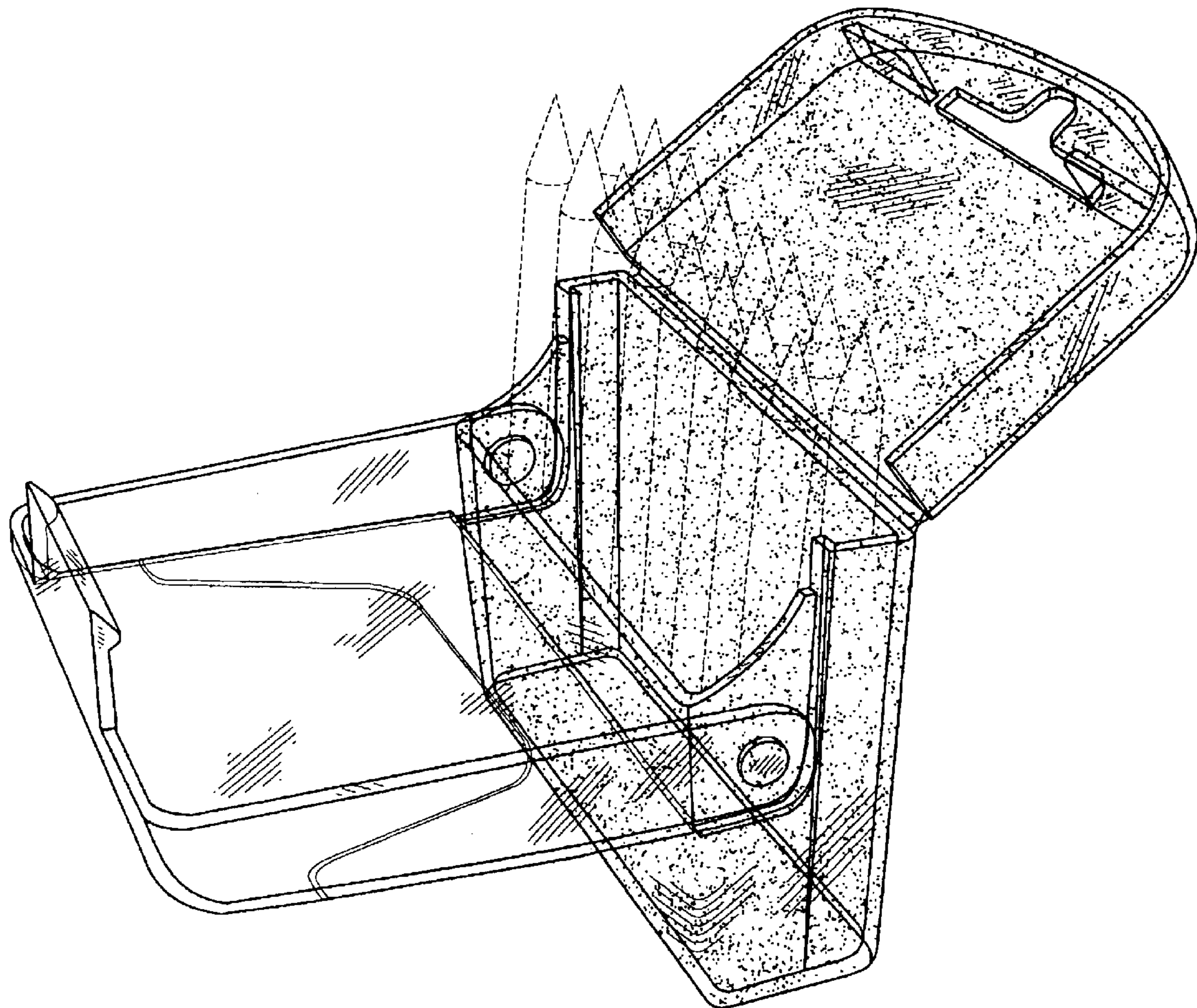


FIG. 8

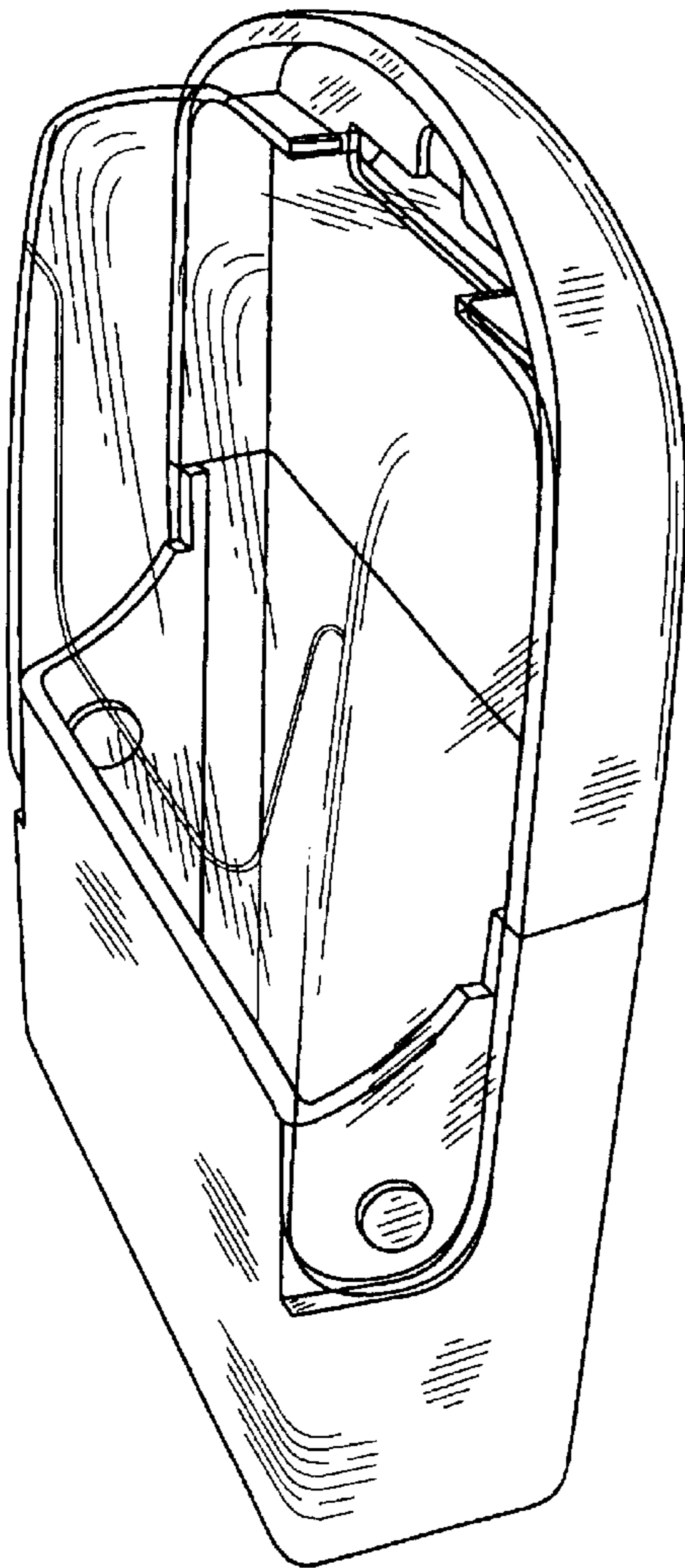


FIG. 9

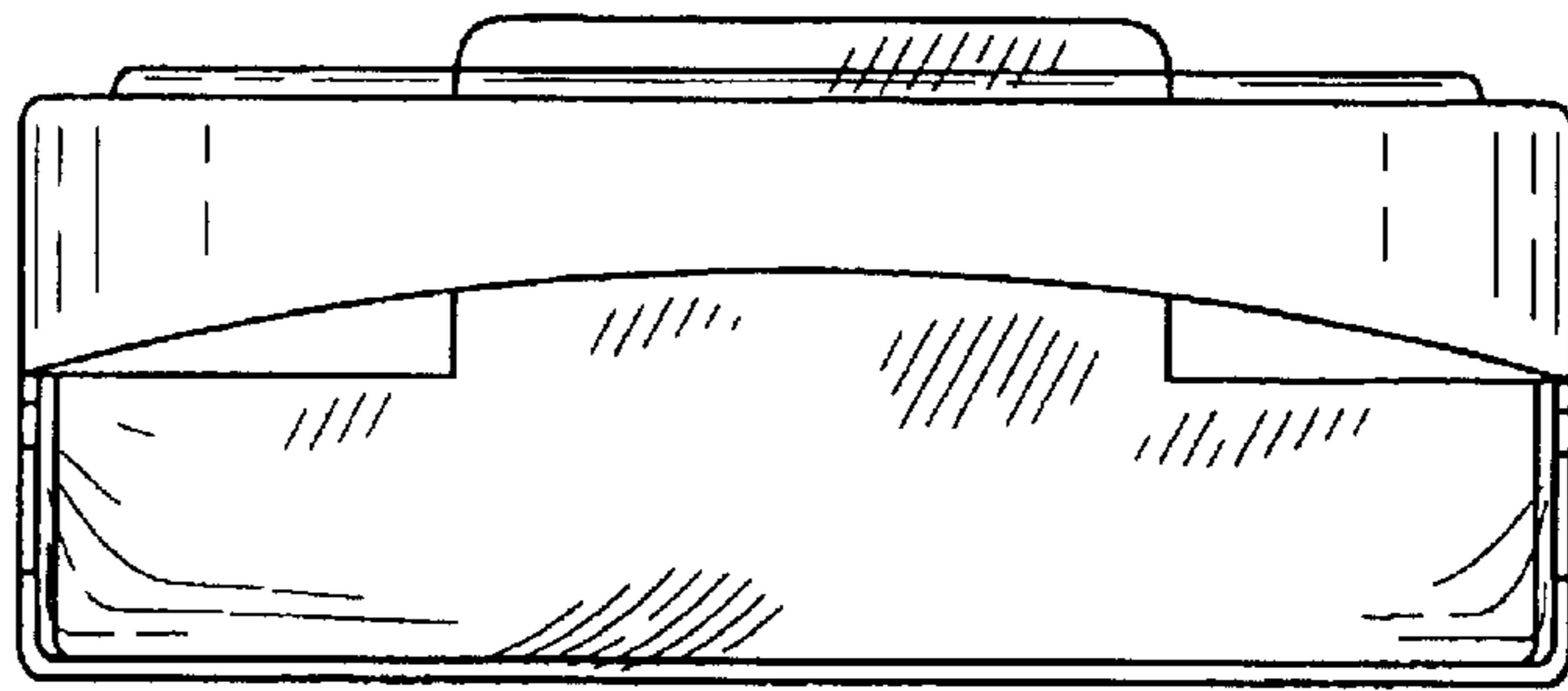


FIG. 10

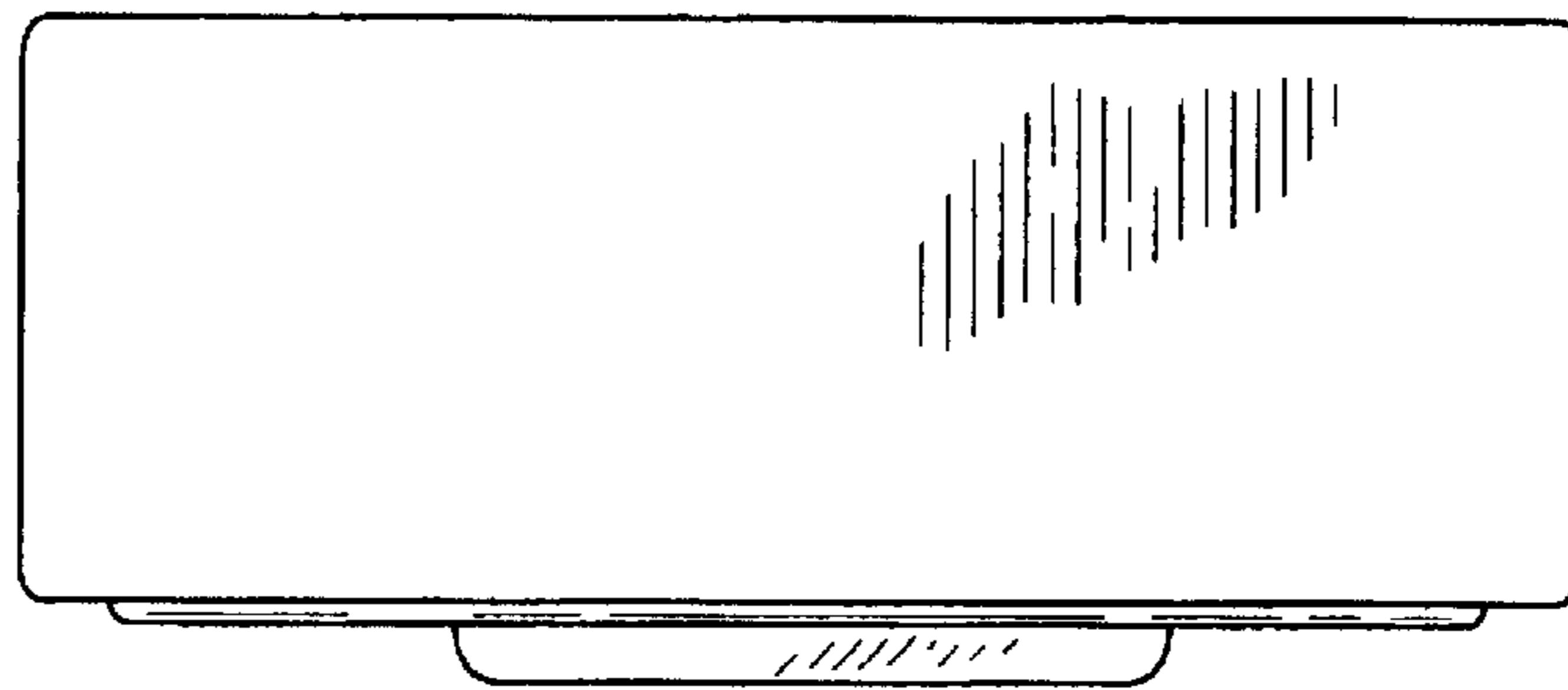


FIG. 11

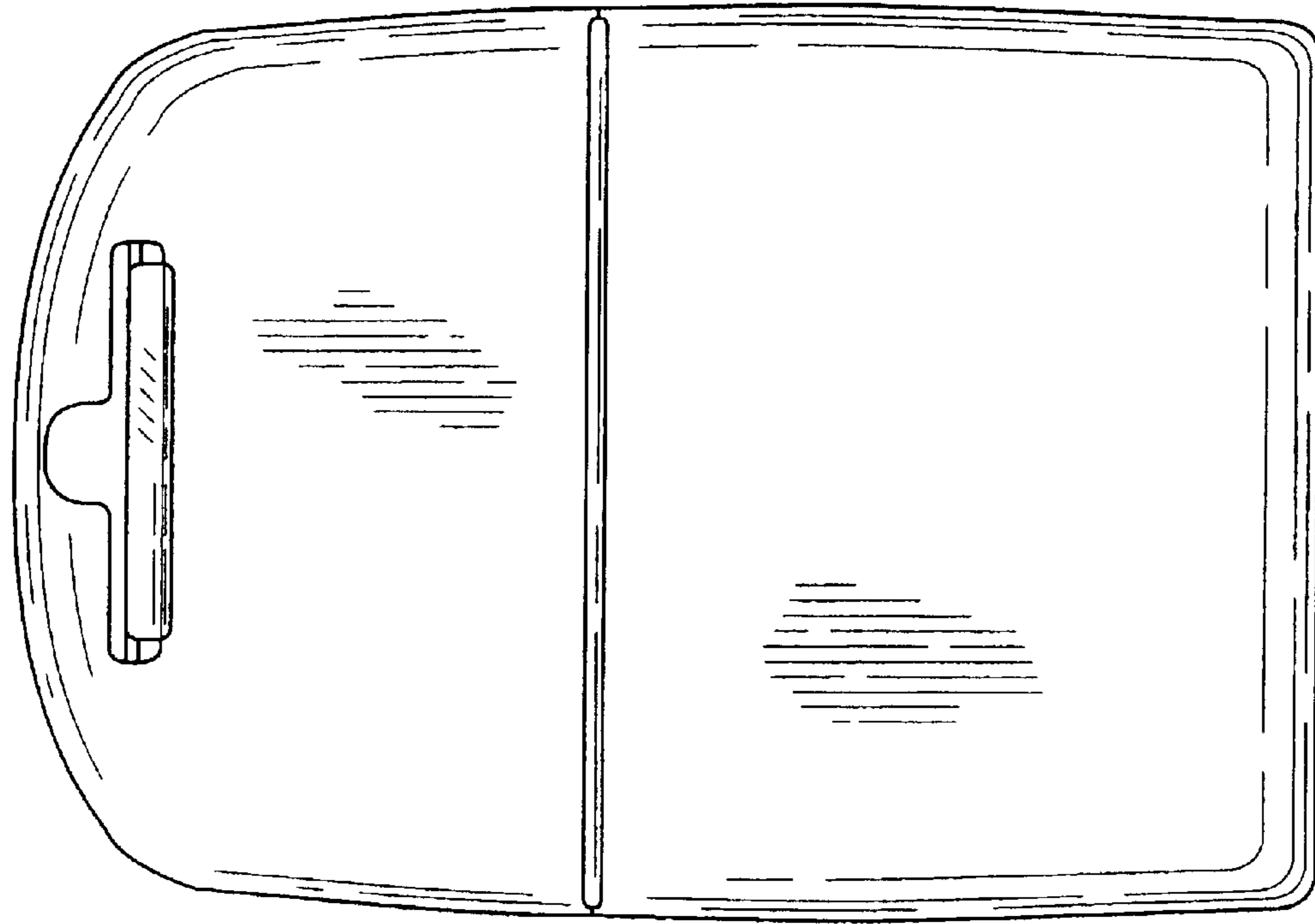


FIG. 13

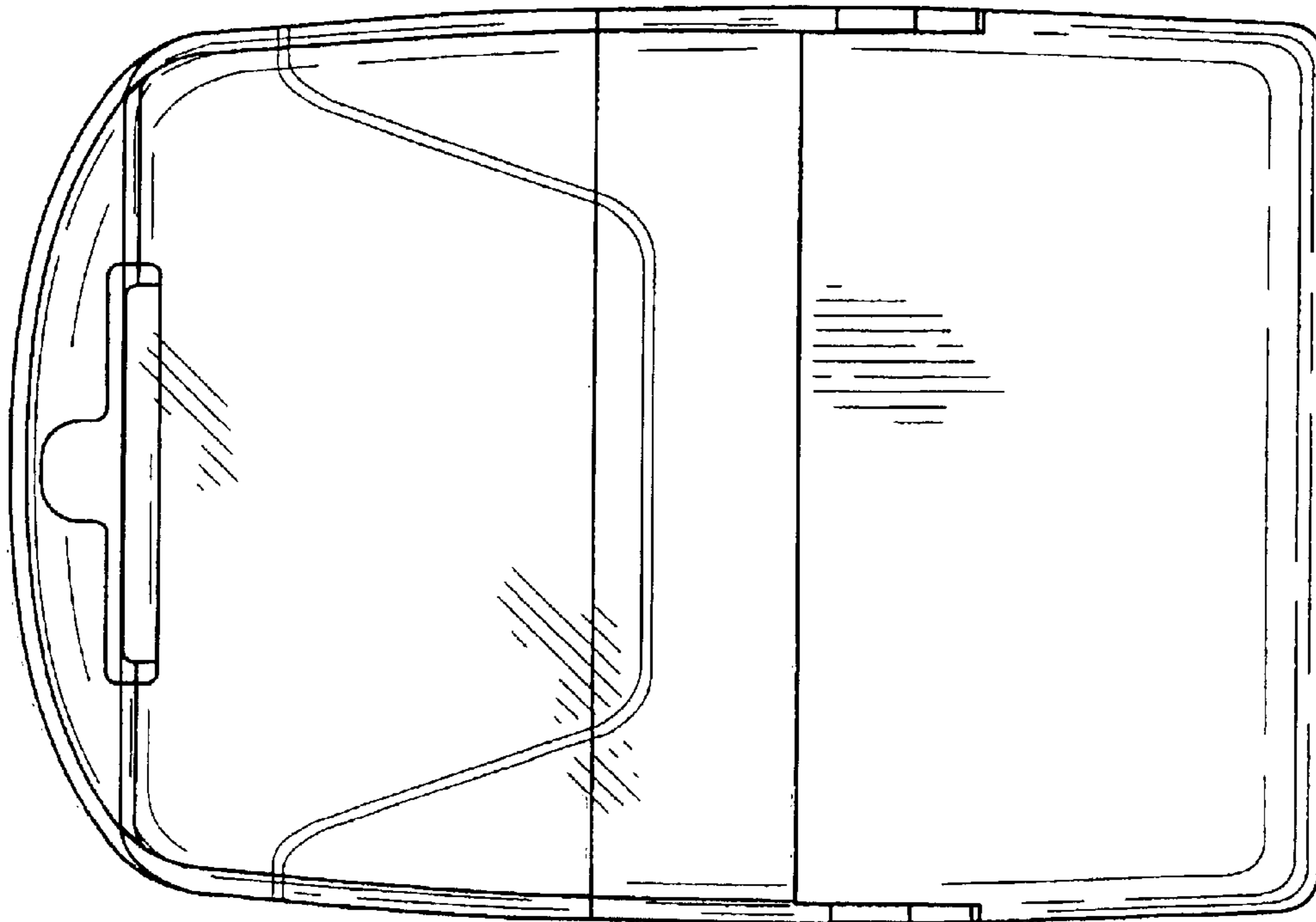


FIG. 12

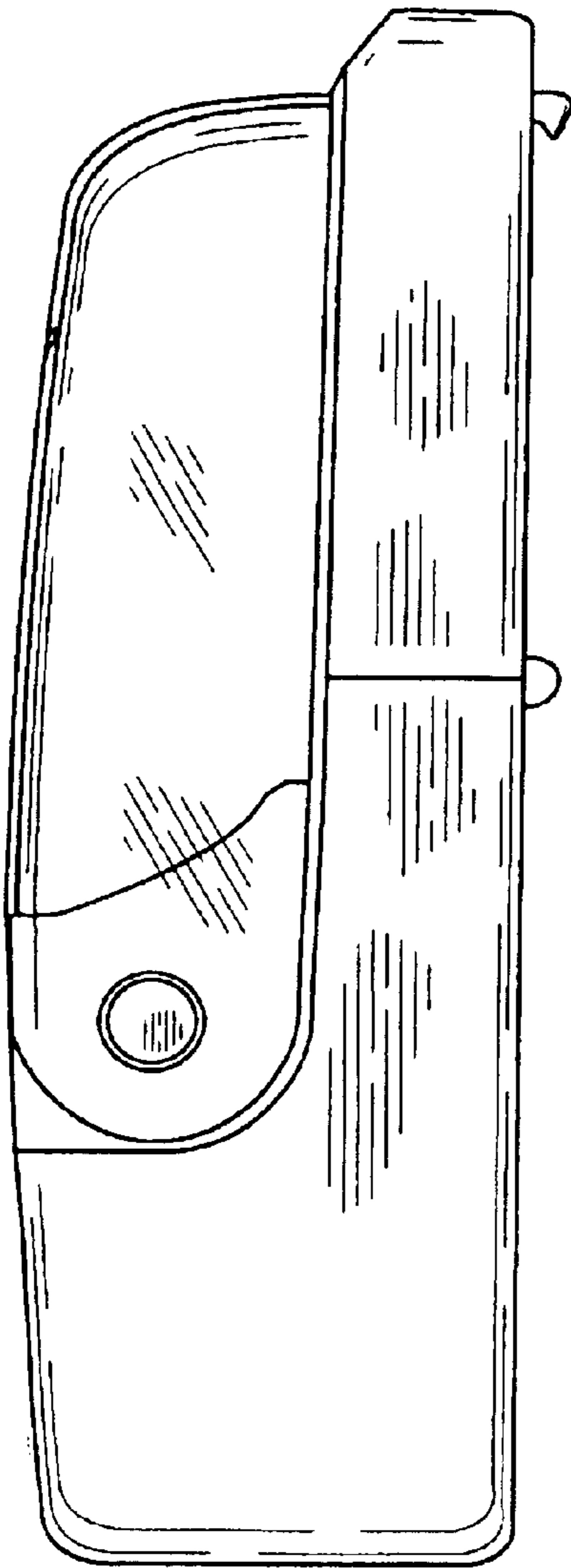


FIG. 14

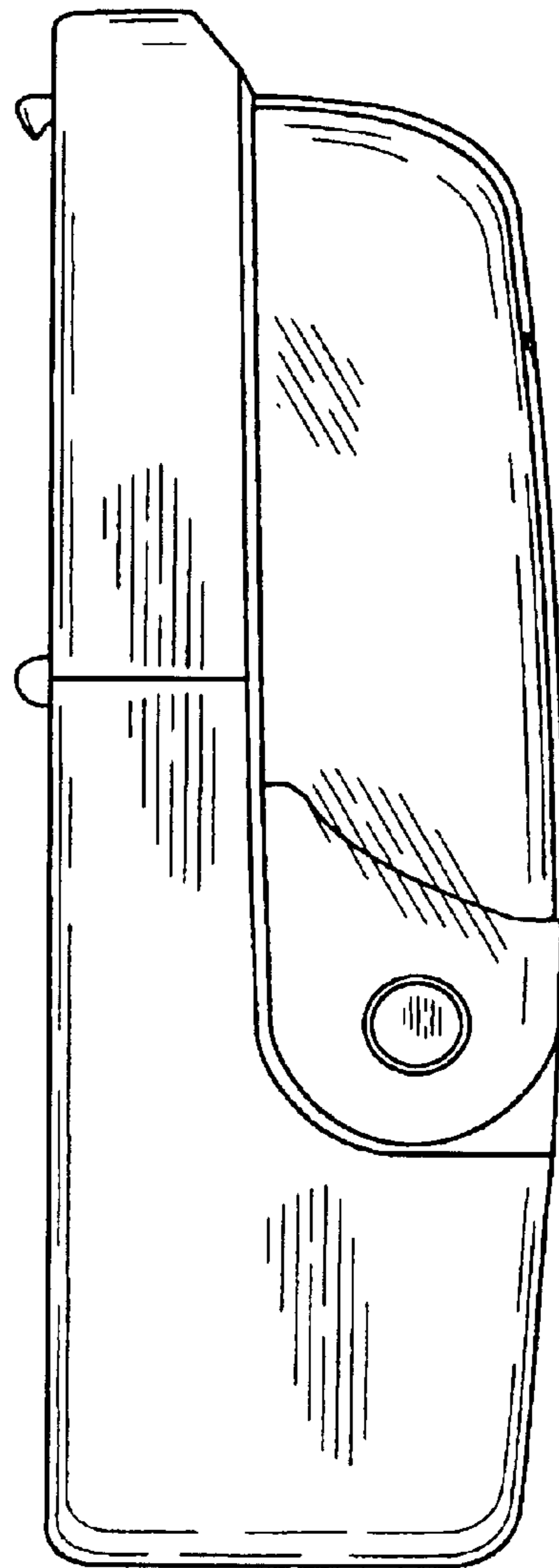


FIG. 15

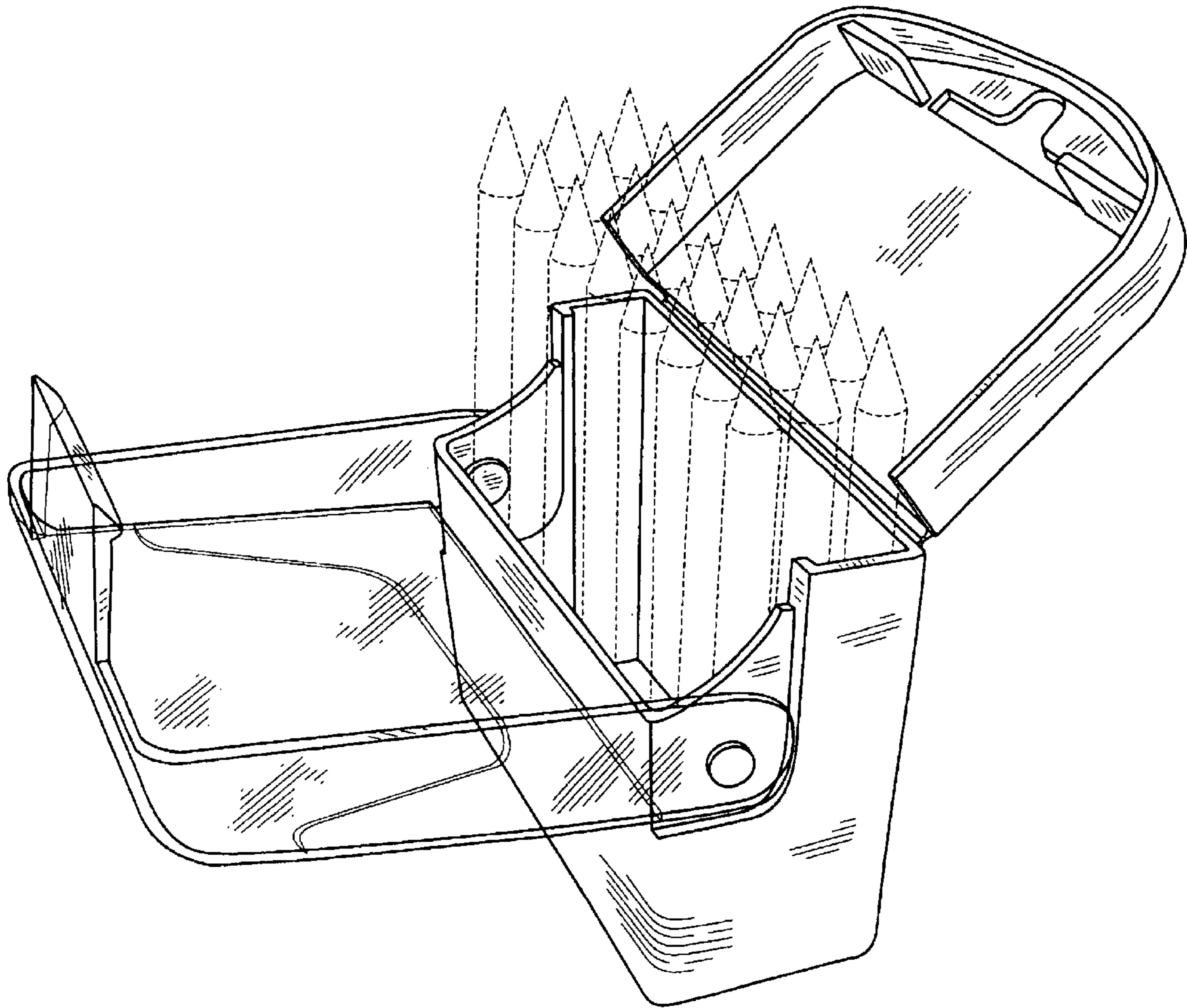


FIG. 16

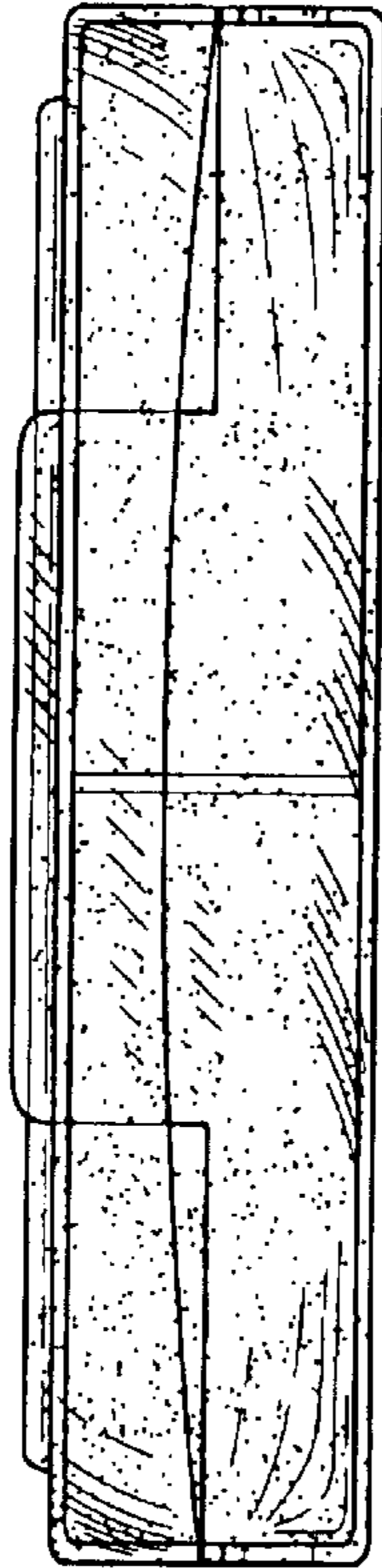


FIG. 18

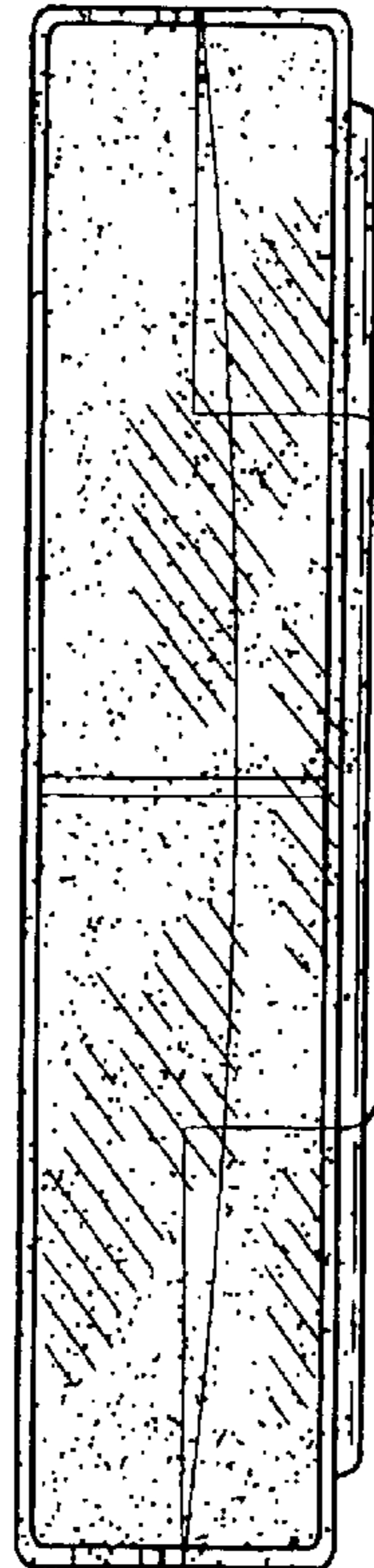


FIG. 19

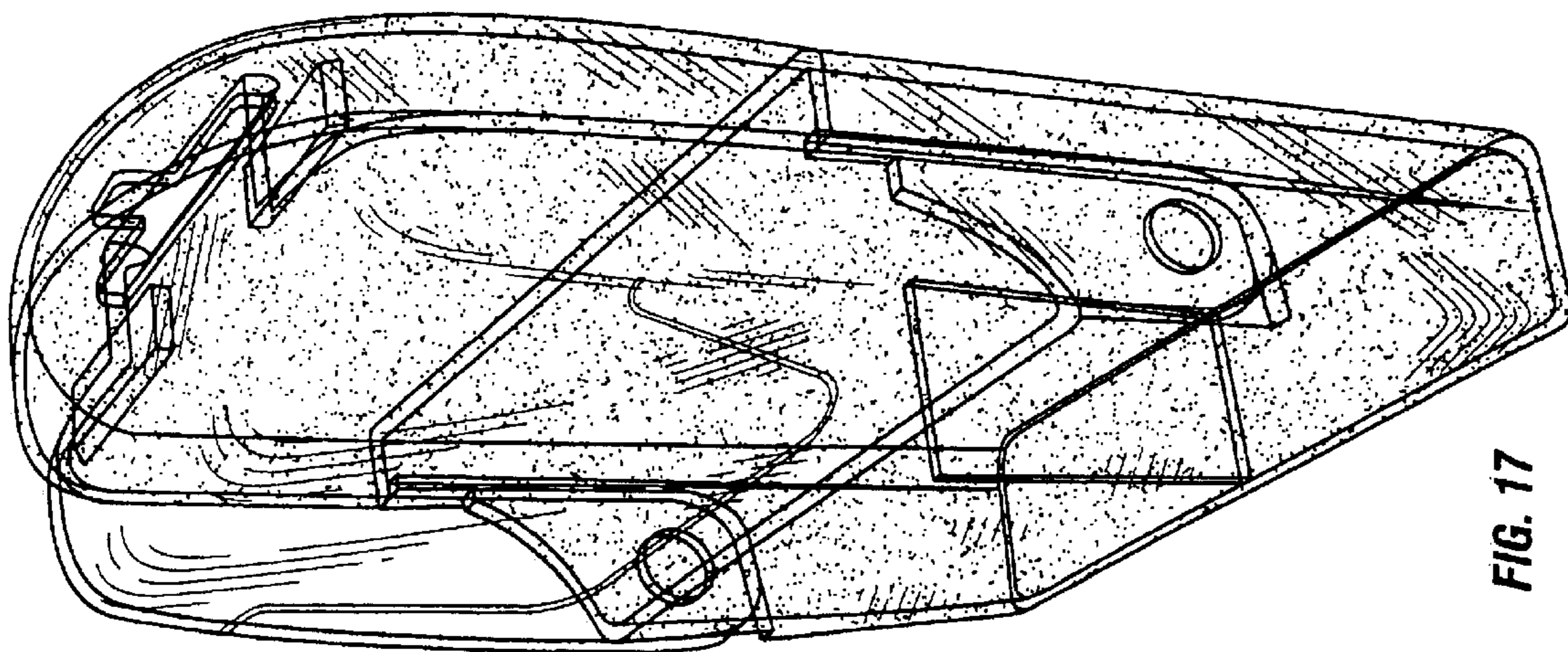


FIG. 17

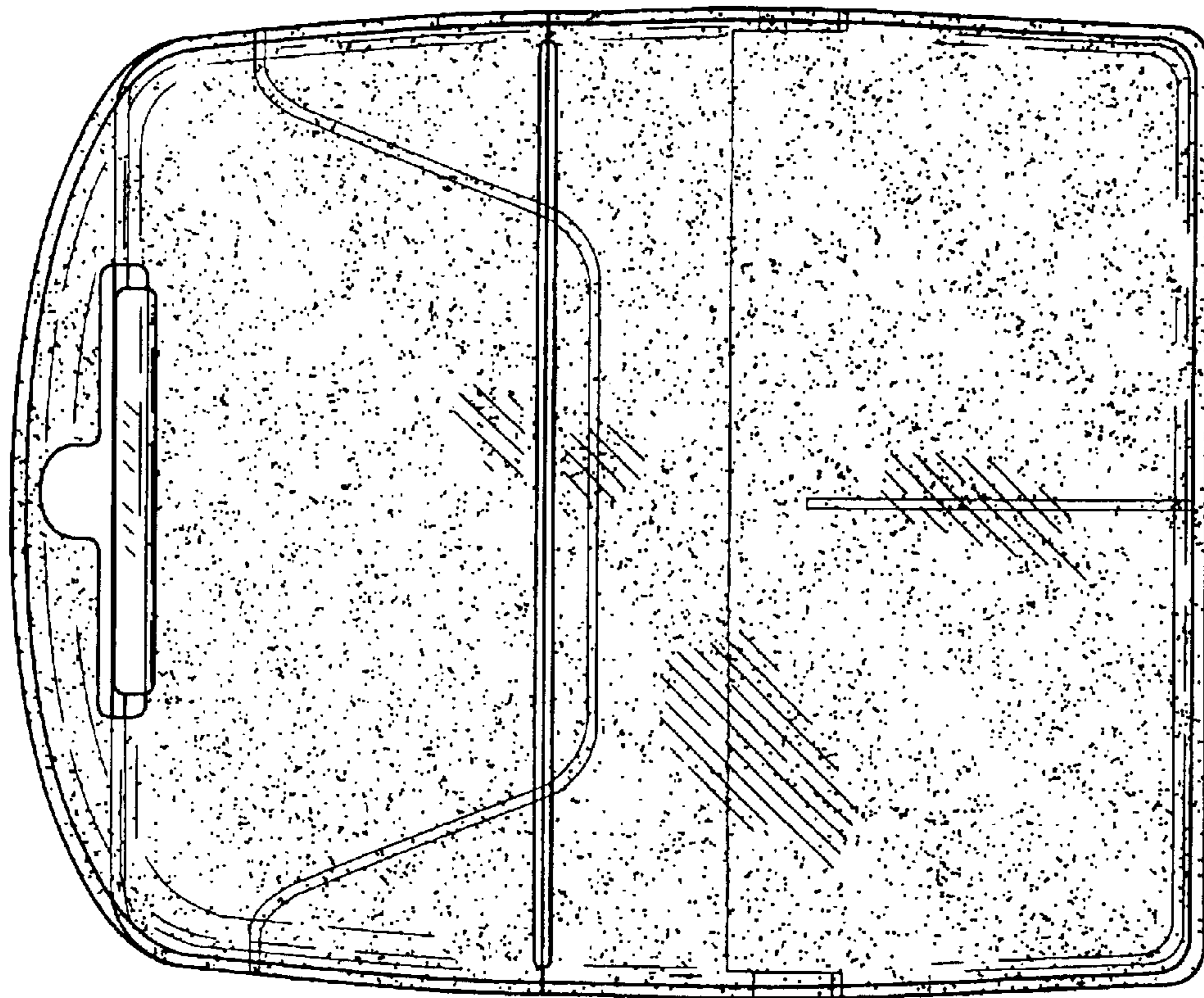


FIG. 21

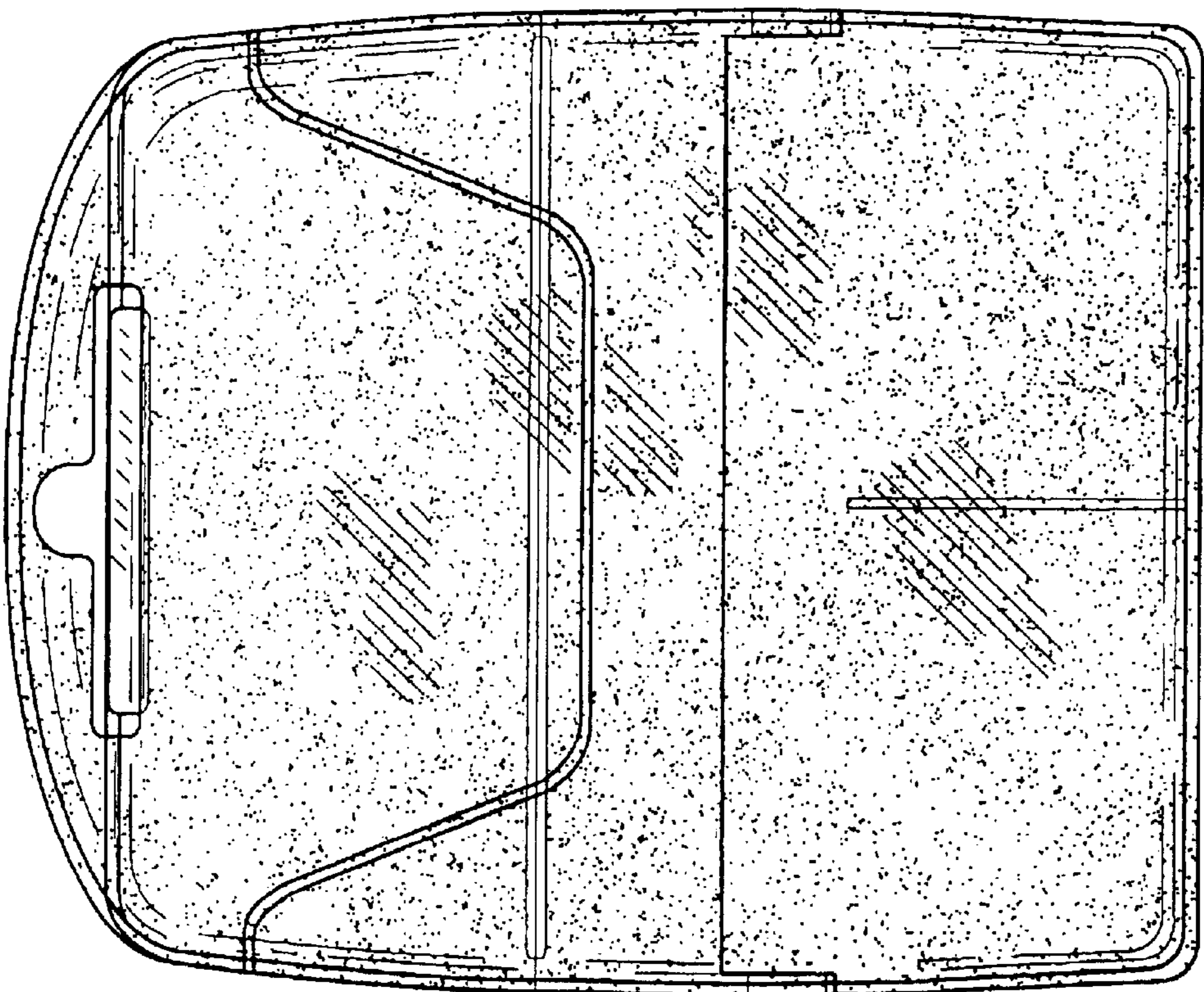


FIG. 20

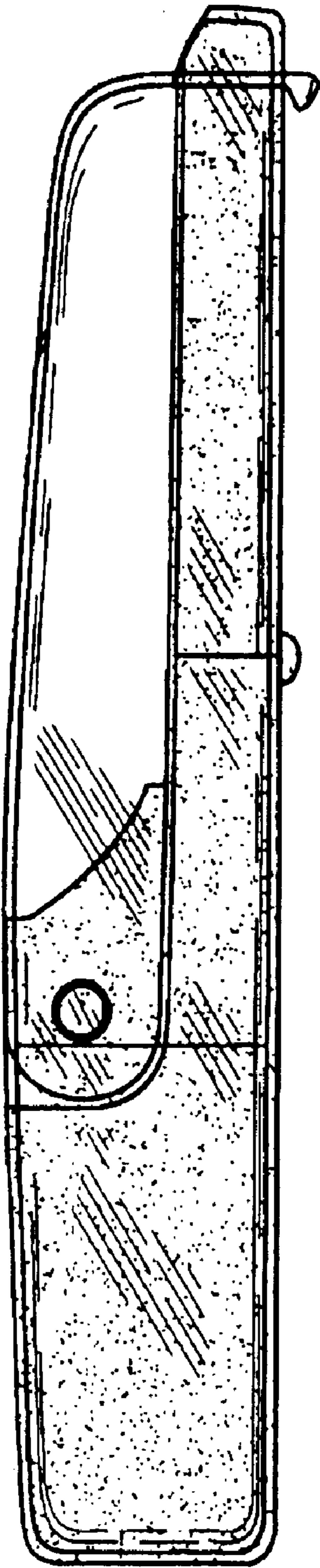


FIG. 22

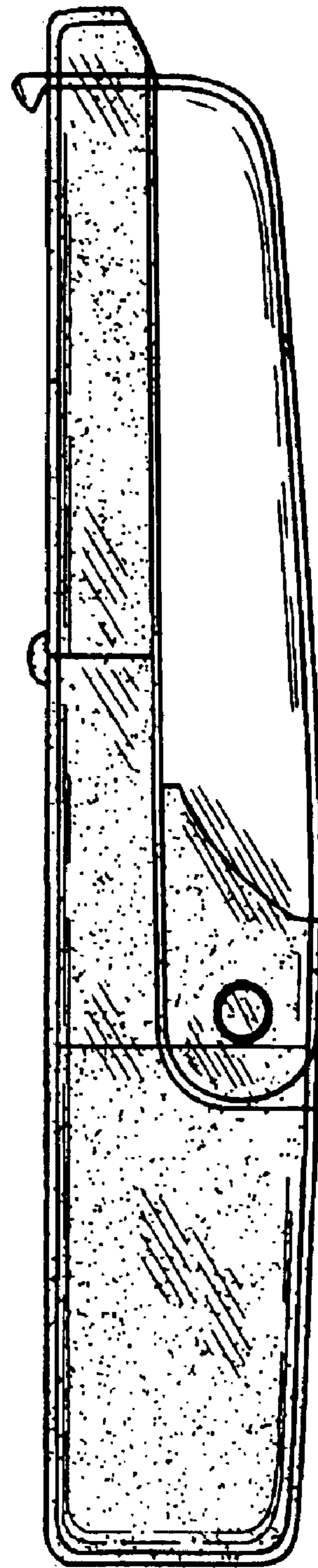


FIG. 23

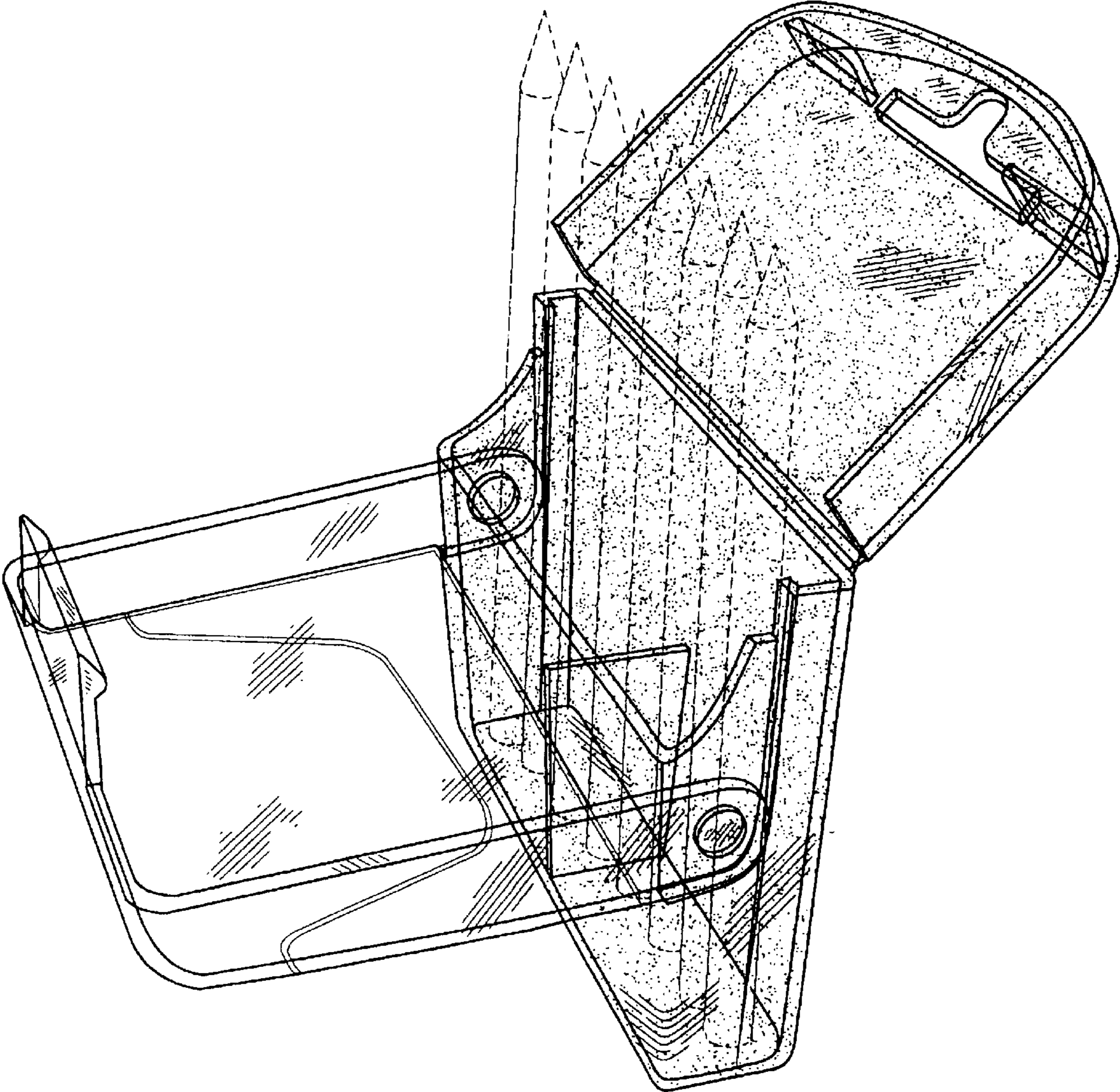


FIG. 24