



US00D537605S

(12) **United States Design Patent**  
**Rivera**

(10) **Patent No.:** **US D537,605 S**

(45) **Date of Patent:** **\*\* Feb. 27, 2007**

- (54) **PNEUMATIC VEHICLE JACK**
- (76) Inventor: **Anthony Rivera**, P.O. Box 4127, North Fort Meyers, FL (US) 33918
- (\*\*) Term: **14 Years**
- (21) Appl. No.: **29/239,810**
- (22) Filed: **Oct. 5, 2005**

- D348,966 S 7/1994 Guyton
- D350,888 S \* 9/1994 Perry ..... D8/71
- 5,465,940 A 11/1995 Guzman et al.
- 5,722,641 A 3/1998 Martin et al.
- 5,765,810 A 6/1998 Mattera
- D456,975 S \* 5/2002 Ji ..... D34/31
- D467,699 S \* 12/2002 King ..... D34/31
- 6,527,254 B1 3/2003 Prevete
- D513,819 S \* 1/2006 Ji ..... D34/31
- 7,000,900 B1 \* 2/2006 McKenney et al. .... 254/93 R

- (51) **LOC (8) Cl.** ..... **12-05**
- (52) **U.S. Cl.** ..... **D34/31**
- (58) **Field of Classification Search** ..... D34/31;  
248/354.5, 352; 254/93 R, 2 R, DIG. 1, 8 R,  
254/11, 45, 134, 420, 423, 424, 93 H  
See application file for complete search history.

\* cited by examiner

*Primary Examiner*—Cynthia E. Ramirez

(57) **CLAIM**

The ornamental design for a pneumatic vehicle jack, as shown and described.

(56) **References Cited**

**DESCRIPTION**

U.S. PATENT DOCUMENTS

- 634,905 A \* 10/1899 McCauley ..... 254/100
- 794,262 A \* 7/1905 Ten ..... 254/93 HP
- 1,022,036 A \* 4/1912 McLendon et al. .... 254/100
- 1,164,598 A \* 12/1915 Engle ..... 254/116
- 3,902,699 A \* 9/1975 Brackett ..... 254/93 R
- D278,753 S \* 5/1985 Honour, VII ..... D34/31
- 4,993,688 A 2/1991 Mueller et al.
- D329,518 S \* 9/1992 Selvey ..... D34/31
- 5,232,206 A 8/1993 Hunt et al.

FIG. 1 is a front elevation view of a pneumatic vehicle jack showing my new design;  
 FIG. 2 is a side elevation view;  
 FIG. 3 is a top plan view;  
 FIG. 4 is a bottom plan view; and,  
 FIG. 5 is a left side isometric view of a pneumatic vehicle jack showing my new design.

**1 Claim, 4 Drawing Sheets**

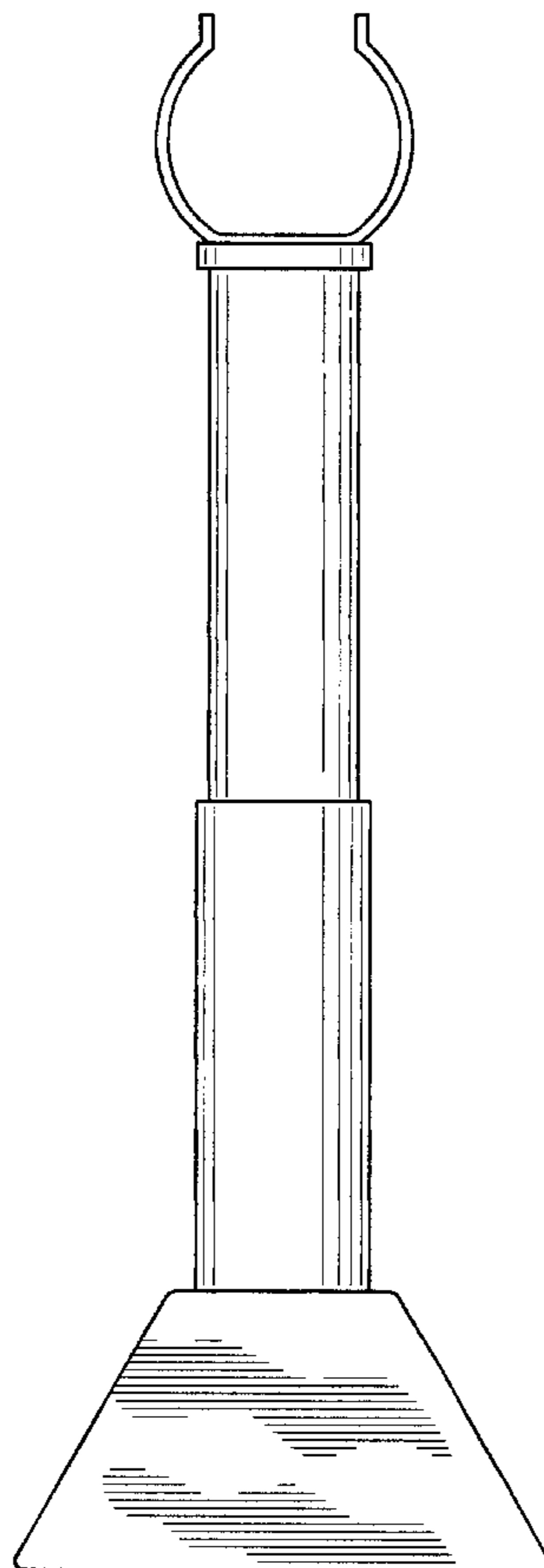


FIG.1

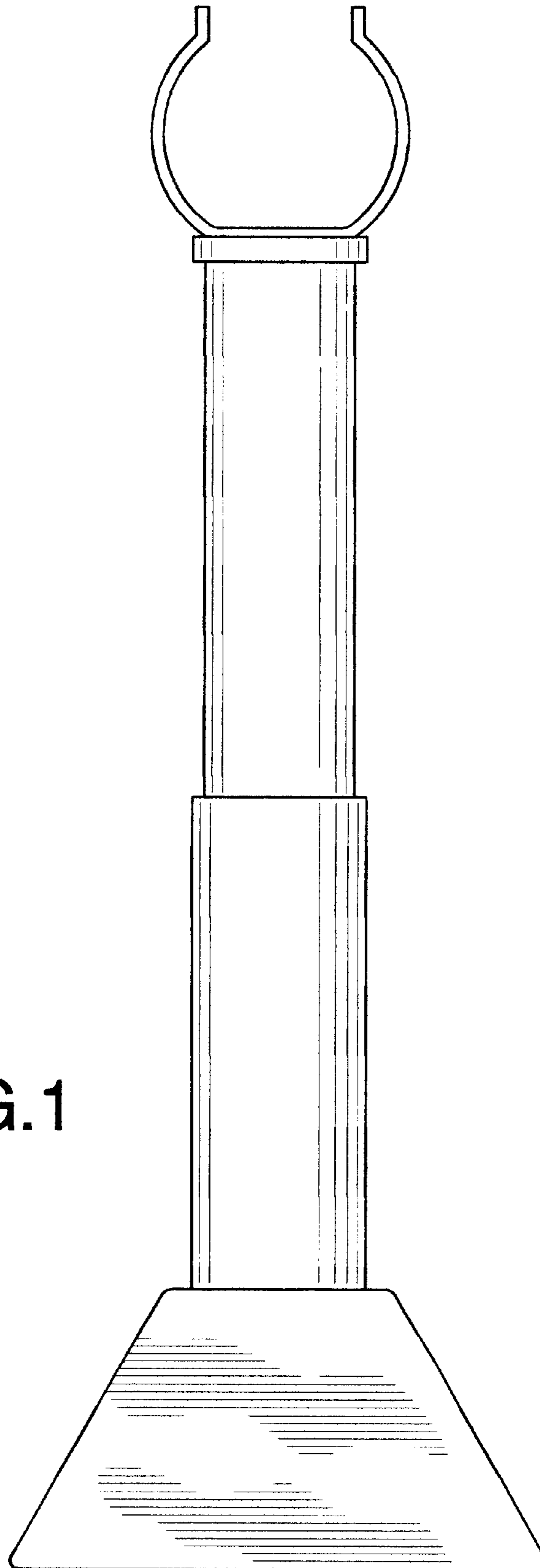
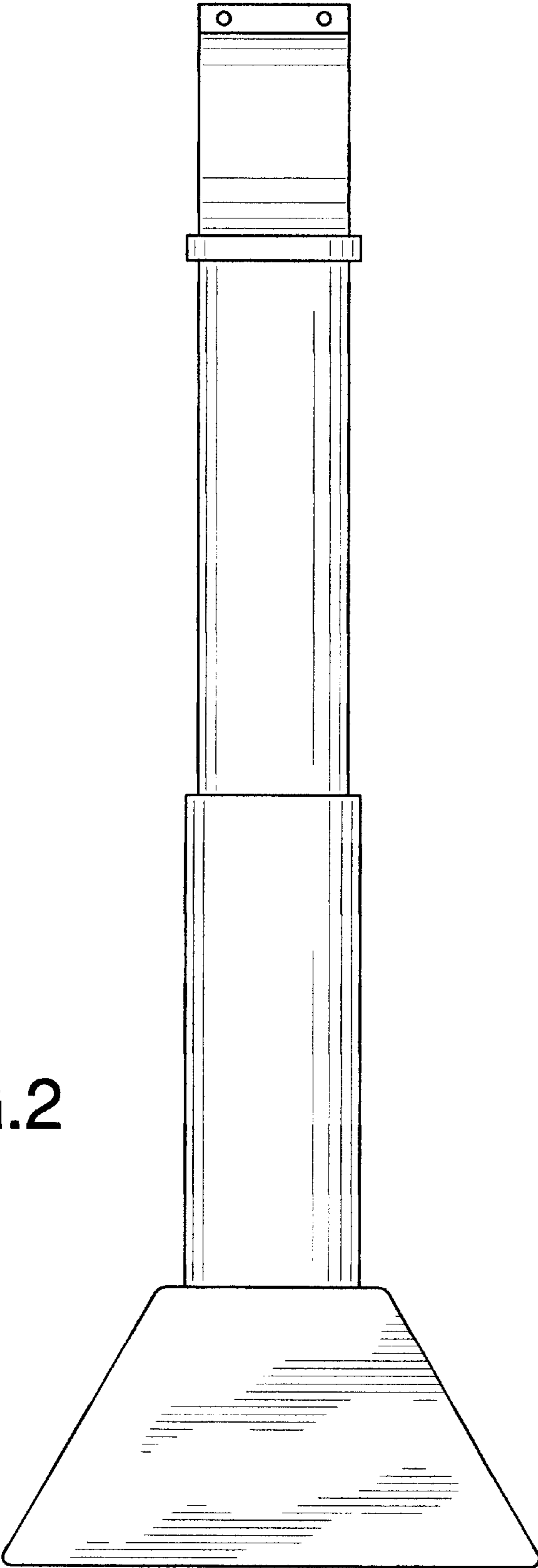


FIG.2



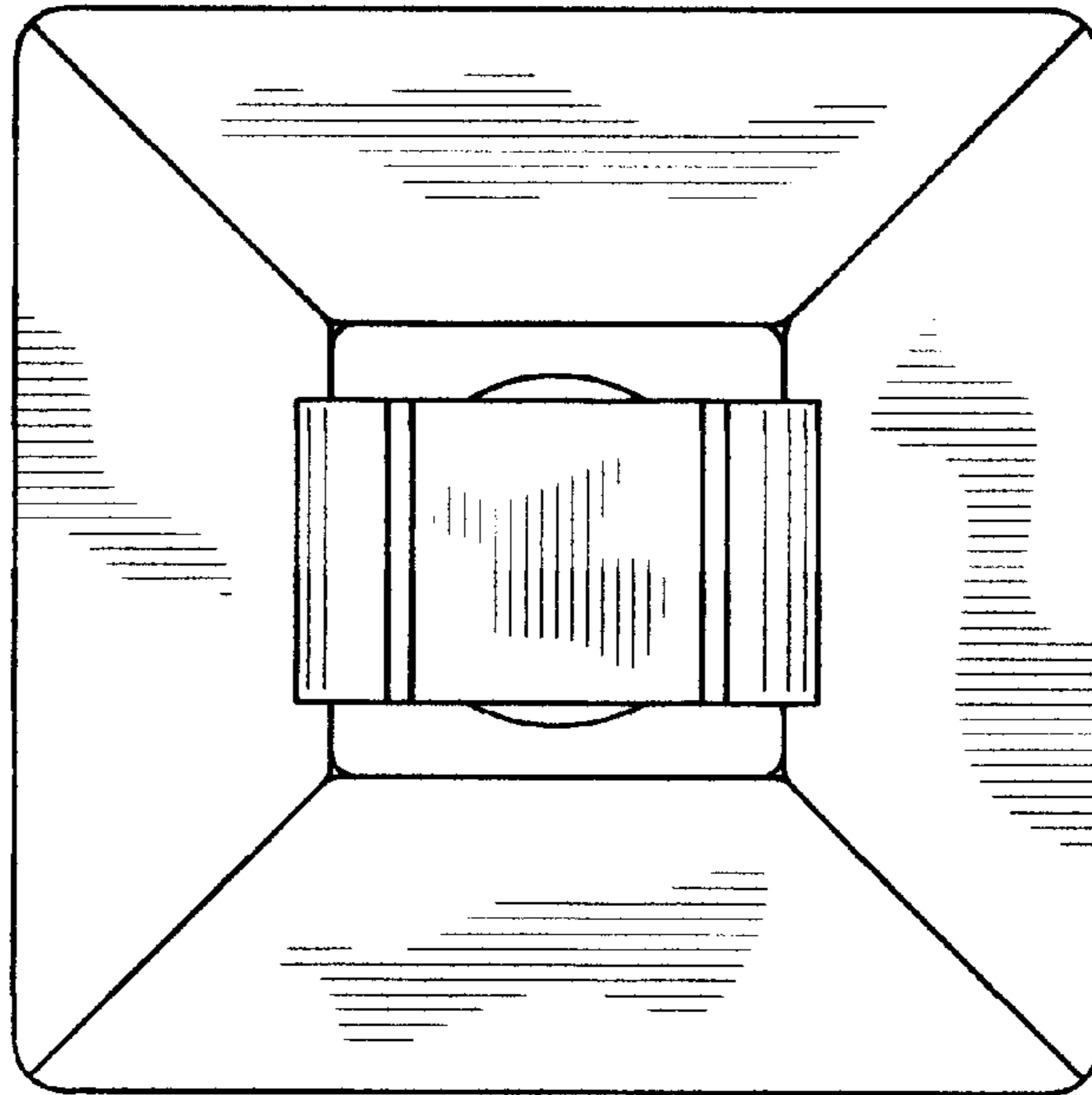


FIG. 3

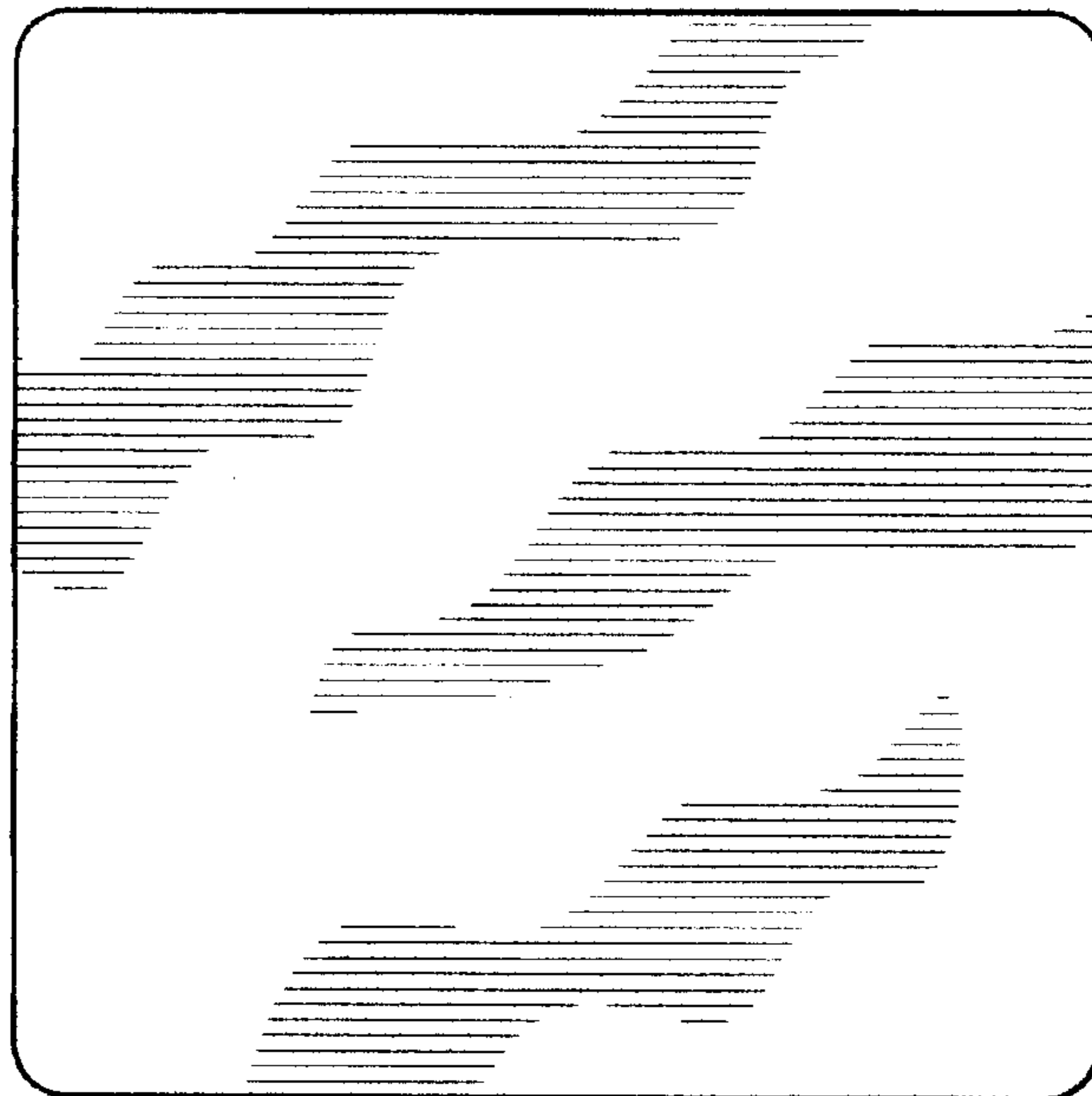


FIG. 4

**FIG.5**

