



US00D537604S

(12) **United States Design Patent**
Redman

(10) **Patent No.:** **US D537,604 S**

(45) **Date of Patent:** **** Feb. 27, 2007**

(54) **ELECTRIC CAR JACK**

(76) Inventor: **Jose K. Redman**, 5413 Sargent Rd.,
Hyattsville, MD (US) 20782

(**) Term: **14 Years**

(21) Appl. No.: **29/239,266**

(22) Filed: **Sep. 27, 2005**

(51) **LOC (8) Cl.** **12-05**

(52) **U.S. Cl.** **D34/31**

(58) **Field of Classification Search** D34/28,
D34/31; 248/354.5, 352; 254/93 R, 2 R,
254/DIG. 1, 426, 423, 8 R, 45, 84, 93 H
See application file for complete search history.

(56) **References Cited**

U.S. PATENT DOCUMENTS

2,469,670	A	*	5/1949	Thompson et al.	254/134
3,170,672	A	*	2/1965	Stoneberg	254/93 R
D204,944	S	*	5/1966	Bair	D34/31
3,645,501	A		2/1972	Musgrove		
3,997,143	A		12/1976	Rose		
4,653,727	A		3/1987	Chang et al.		
4,684,097	A	*	8/1987	Cox	248/354.3
4,706,937	A		11/1987	Chung		
4,872,230	A		10/1989	Levine		

D327,764	S	*	7/1992	Davis	D34/31
D329,113	S	*	9/1992	Kim	D34/31
D345,844	S	*	4/1994	Steele	D34/31
D384,474	S		9/1997	White		
5,862,635	A	*	1/1999	Linse et al.	52/126.6
D424,776	S	*	5/2000	Wong	D34/31
D513,819	S	*	1/2006	Ji	D34/31

* cited by examiner

Primary Examiner—Cynthia E. Ramirez

(74) *Attorney, Agent, or Firm*—Lawrence J. Gibney, Jr.

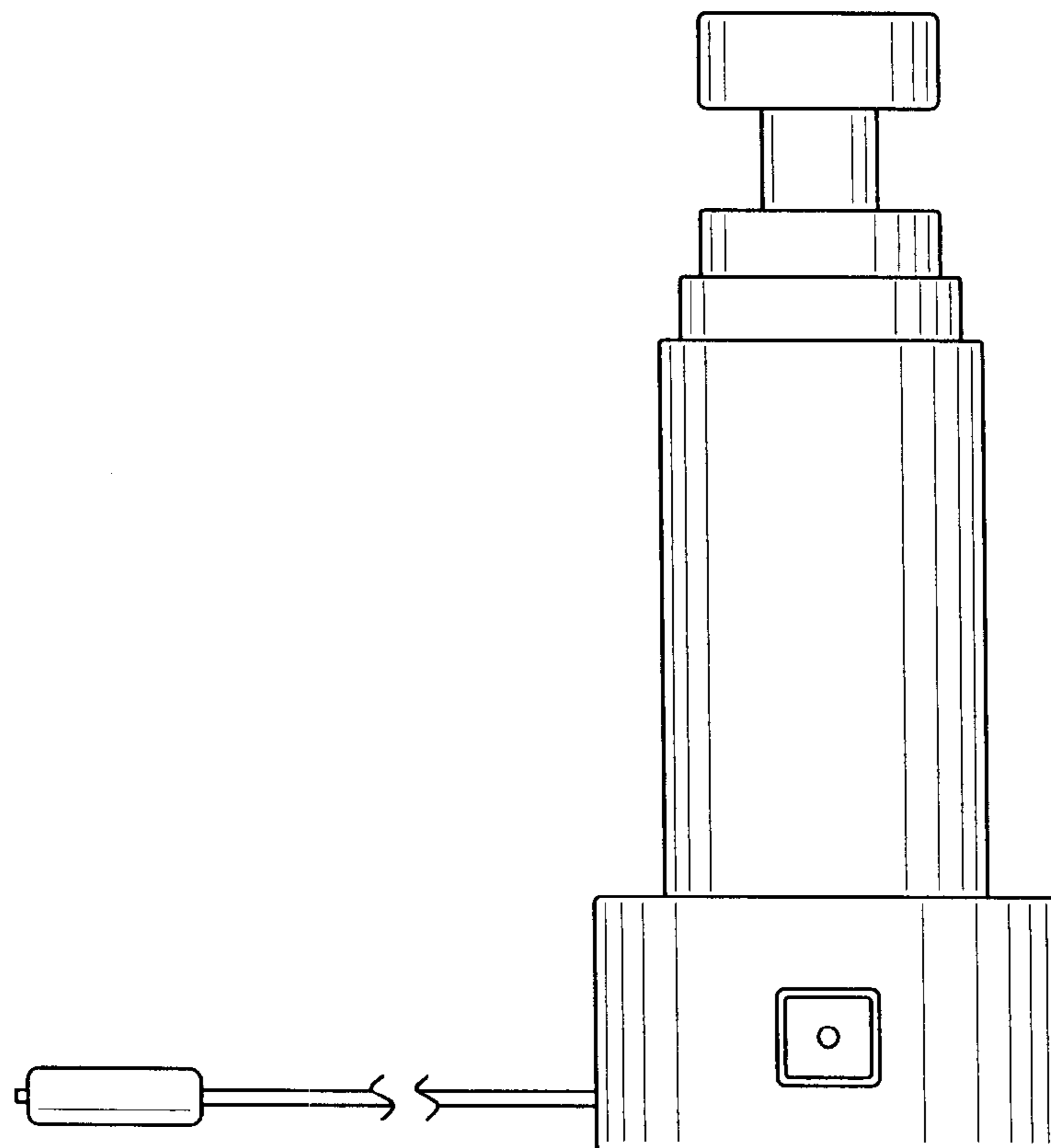
(57) **CLAIM**

The ornamental design for an electric car jack, as shown and described.

DESCRIPTION

FIG. 1 is a front view for an electric car jack showing my new design;
FIG. 2 is a back view thereof;
FIG. 3 is a right side view thereof;
FIG. 4 is a left side view thereof;
FIG. 5 is a top view thereof;
FIG. 6 is a bottom view thereof; and,
FIG. 7 is an isometric view thereof.
The cord is shown broken away in FIGS. 1, 2, 5, 6 and 7 for convenience of illustration.

1 Claim, 6 Drawing Sheets



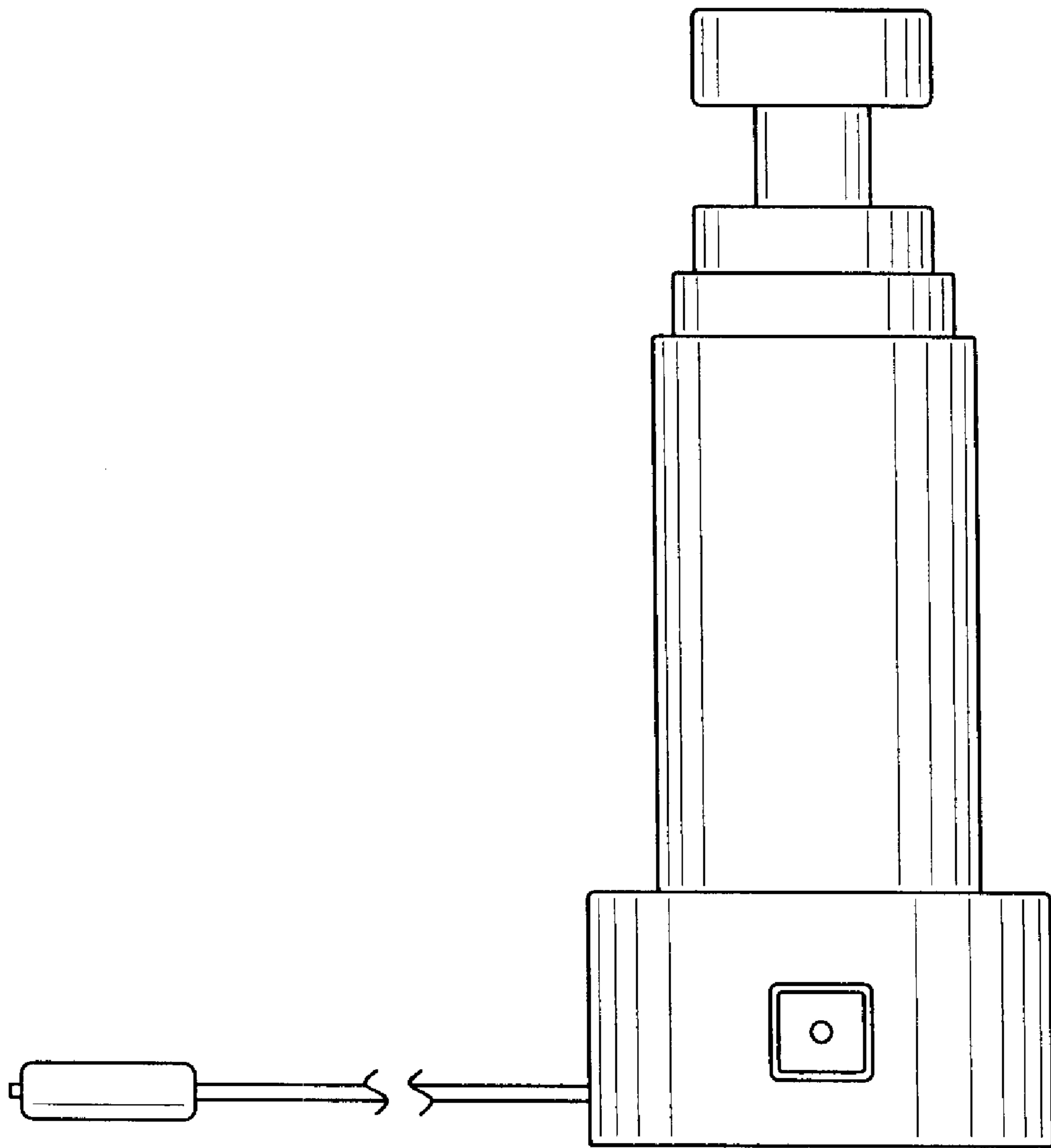


FIG.1

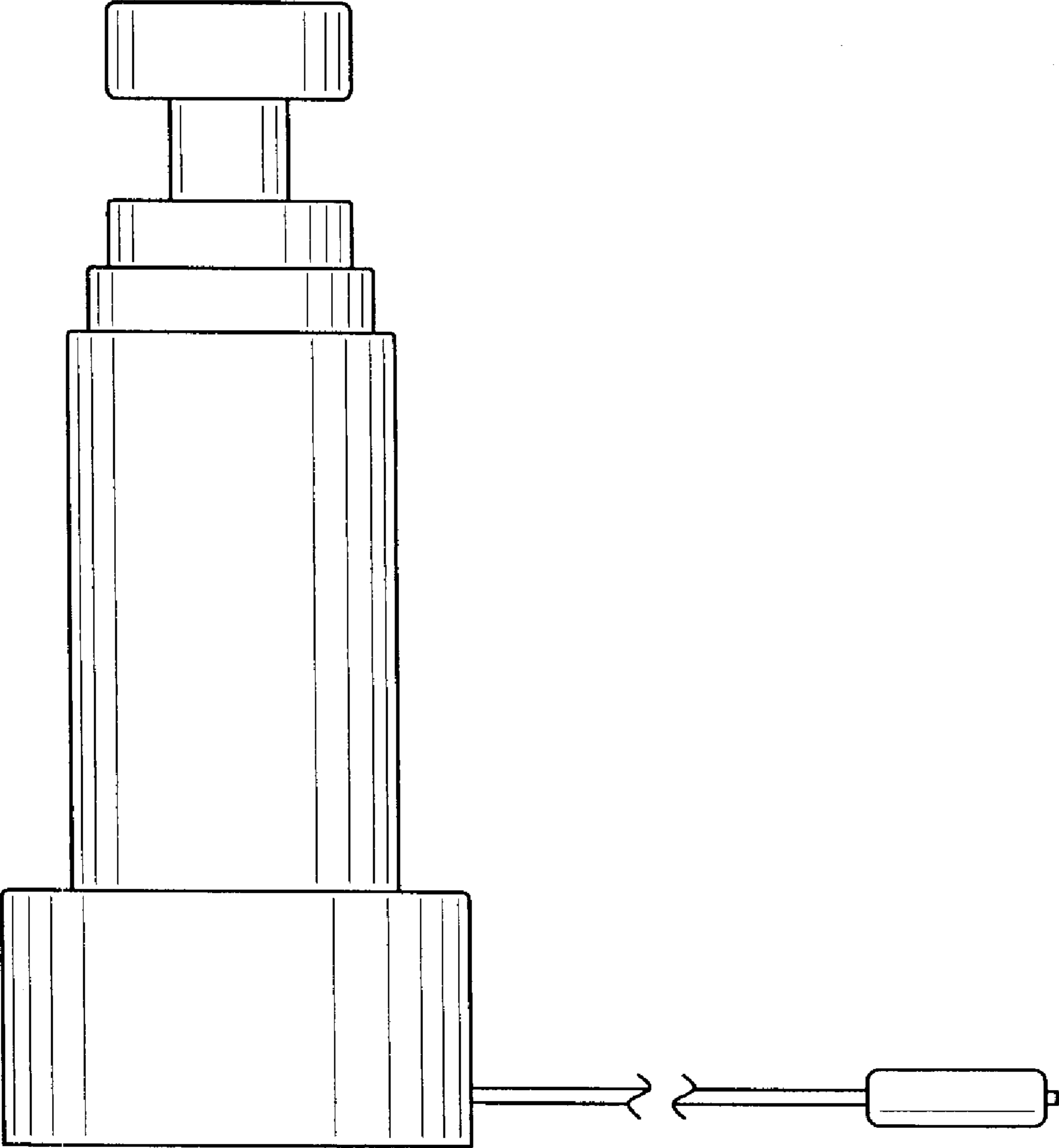


FIG.2

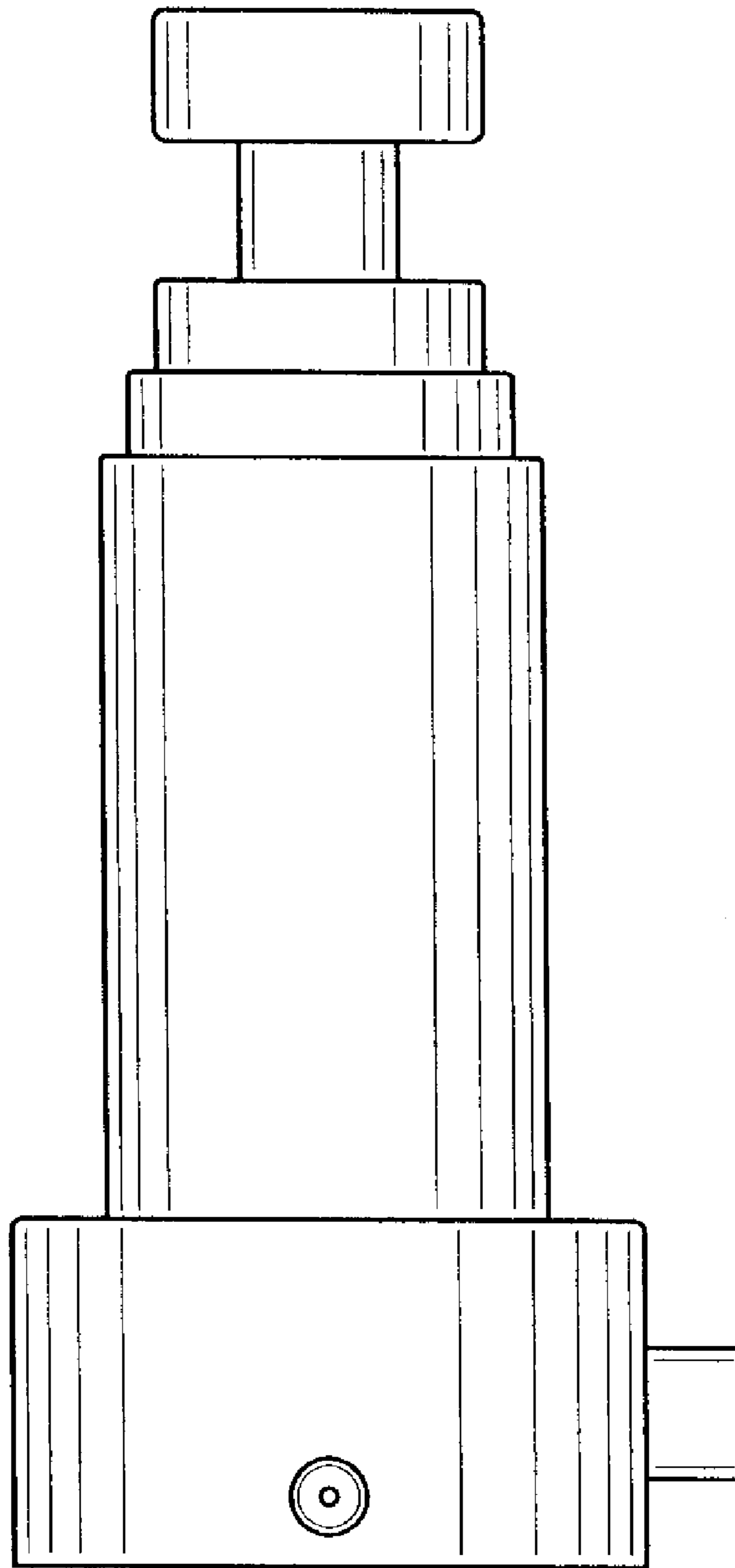


FIG.3

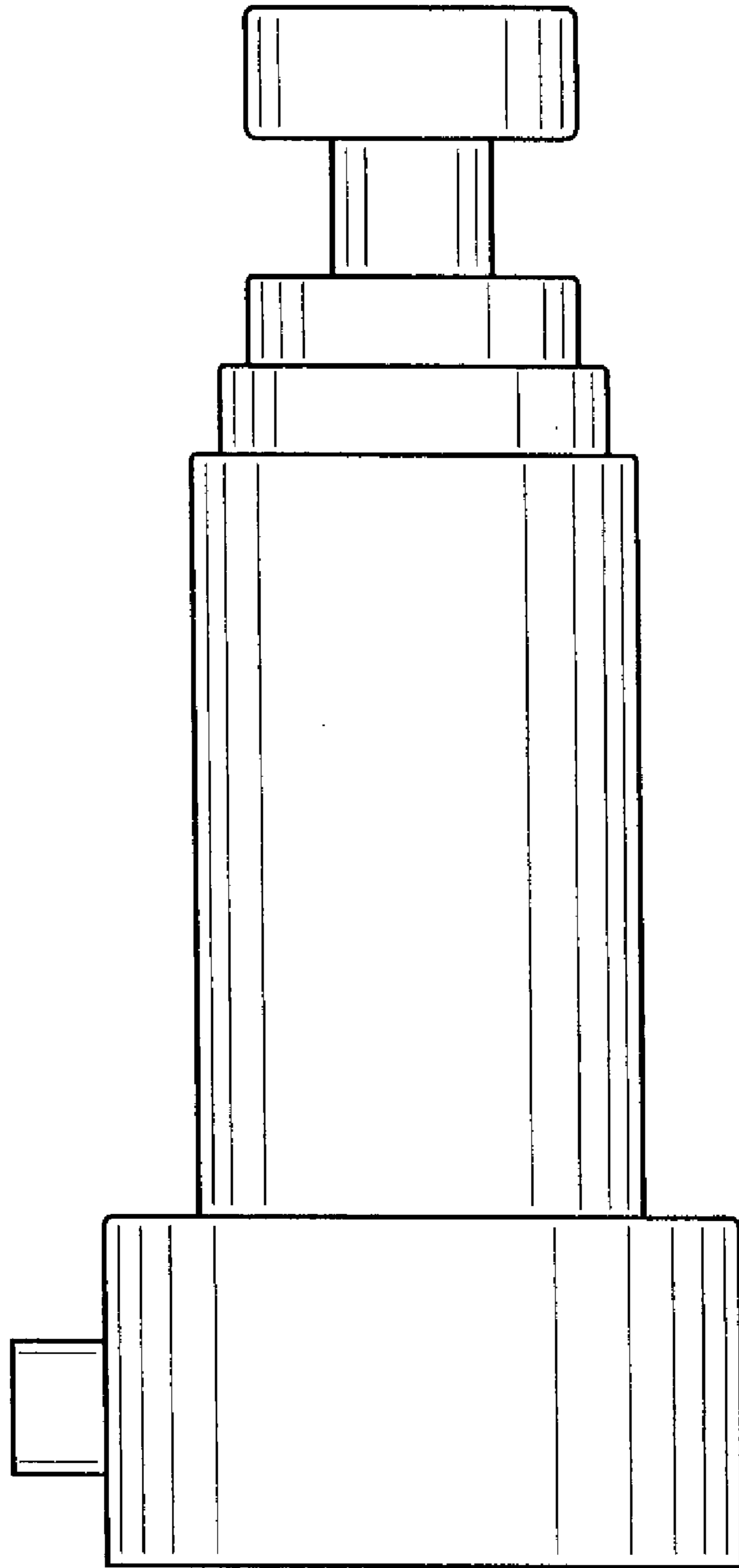


FIG.4

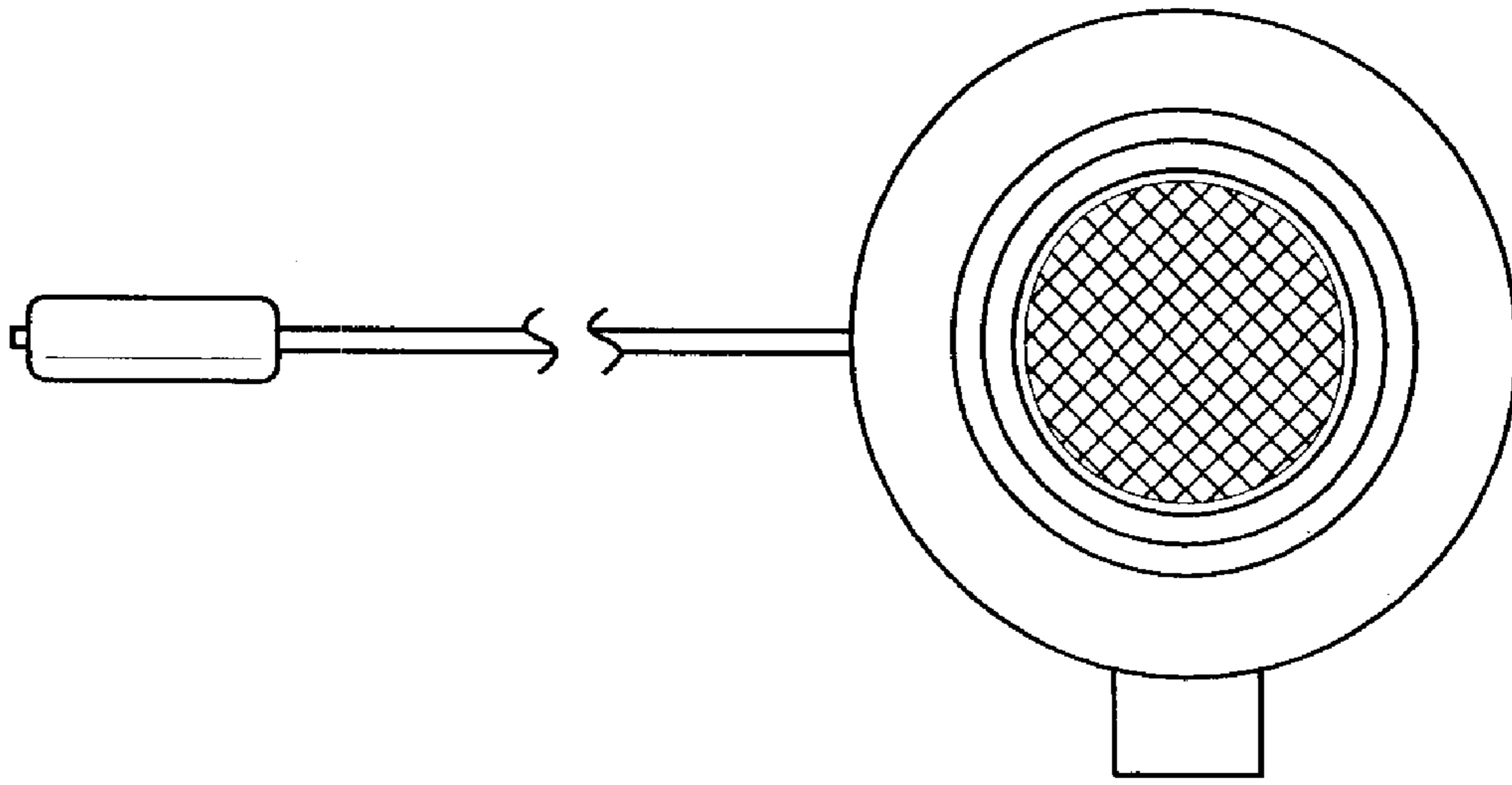


FIG. 5

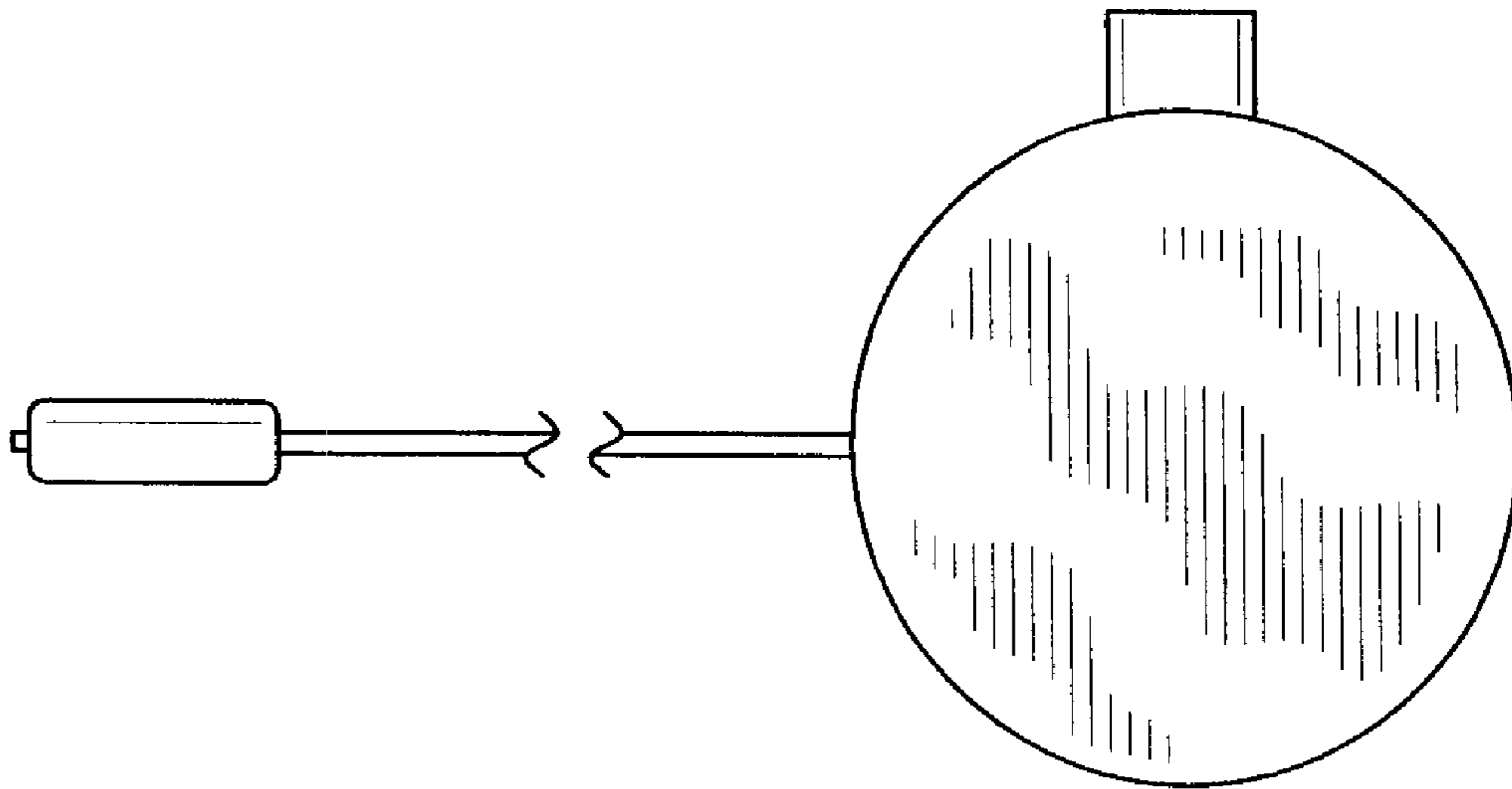


FIG. 6

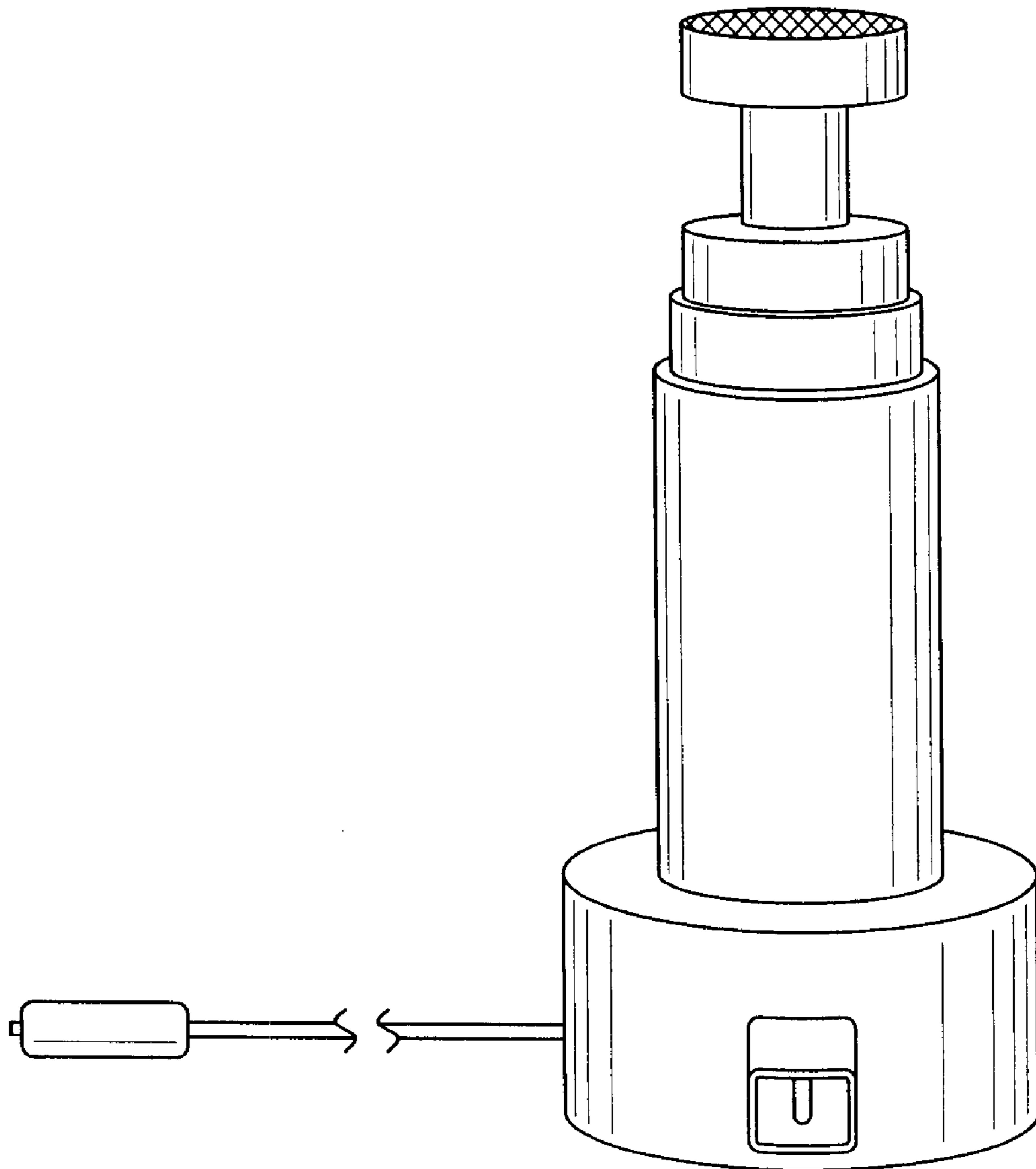


FIG.7