



US00D537603S

(12) **United States Design Patent**
Oh

(10) **Patent No.:** **US D537,603 S**

(45) **Date of Patent:** **** Feb. 27, 2007**

(54) **REFUSE COLLECTION CART WITH RAMP**

(75) Inventor: **Sun K. Oh**, Lansdale, PA (US)

(73) Assignee: **Byung H. Kim**, Jiangsu (CN); part interest

(**) Term: **14 Years**

(21) Appl. No.: **29/251,380**

(22) Filed: **Jan. 6, 2006**

(51) **LOC (8) Cl.** **12-02**

(52) **U.S. Cl.** **D34/24**

(58) **Field of Classification Search** D34/12-27;
280/47.18, 655, 652, 47.16, 47.29, 646, 5.2,
280/654, 47.24, 5.32, 47.19, 79.5, 47.34;
D24/185

See application file for complete search history.

(56) **References Cited**

U.S. PATENT DOCUMENTS

D148,128	S	*	12/1947	Brottman	D34/21
2,723,863	A	*	11/1955	Mattio	280/47.24
3,041,026	A		7/1962	Wilson		
D242,537	S	*	11/1976	Marcell	D34/24
D252,746	S	*	8/1979	Ek	D34/26
4,202,521	A		5/1980	Harding		
4,247,130	A	*	1/1981	Paterson	280/654
D267,359	S	*	12/1982	Mustard	D34/26
4,461,441	A		7/1984	Briggs		
4,805,857	A		2/1989	Travis		
D303,443	S	*	9/1989	Shoctor	D34/18
4,921,193	A		5/1990	Benesch		
4,976,406	A		12/1990	Buckley et al.		
5,323,990	A		6/1994	Graves		
5,328,182	A	*	7/1994	Kuo	280/5.32
5,487,551	A		1/1996	Kennedy		

D456,582	S	*	4/2002	Riach	D34/24
6,471,237	B1	*	10/2002	Bedsole	280/655
6,796,564	B2	*	9/2004	Kelly	280/47.24
2002/0101048	A1	*	8/2002	Sword	280/47.38
2003/0057668	A1	*	3/2003	Peters	280/47.24

* cited by examiner

Primary Examiner—Freda S. Nunn

Assistant Examiner—Kevin K. Rudzinski

(74) *Attorney, Agent, or Firm*—Duane Morris LLP

(57) **CLAIM**

The ornamental design of a refuse collection cart with ramp, as shown and described.

DESCRIPTION

FIG. 1 is a perspective view of a refuse collection cart with ramp according to the new design.

FIG. 2 is an elevation view from the right side in FIG. 1.

FIG. 3 is an elevation view from the left side in FIG. 1.

FIG. 4 is an elevation view from the front.

FIG. 5 is an elevation view from the rear.

FIG. 6 is a top plan view.

FIG. 7 is a bottom plan view.

FIG. 8 is a perspective view showing the design as deployed, with a rake and collection bag shown in phantom lines.

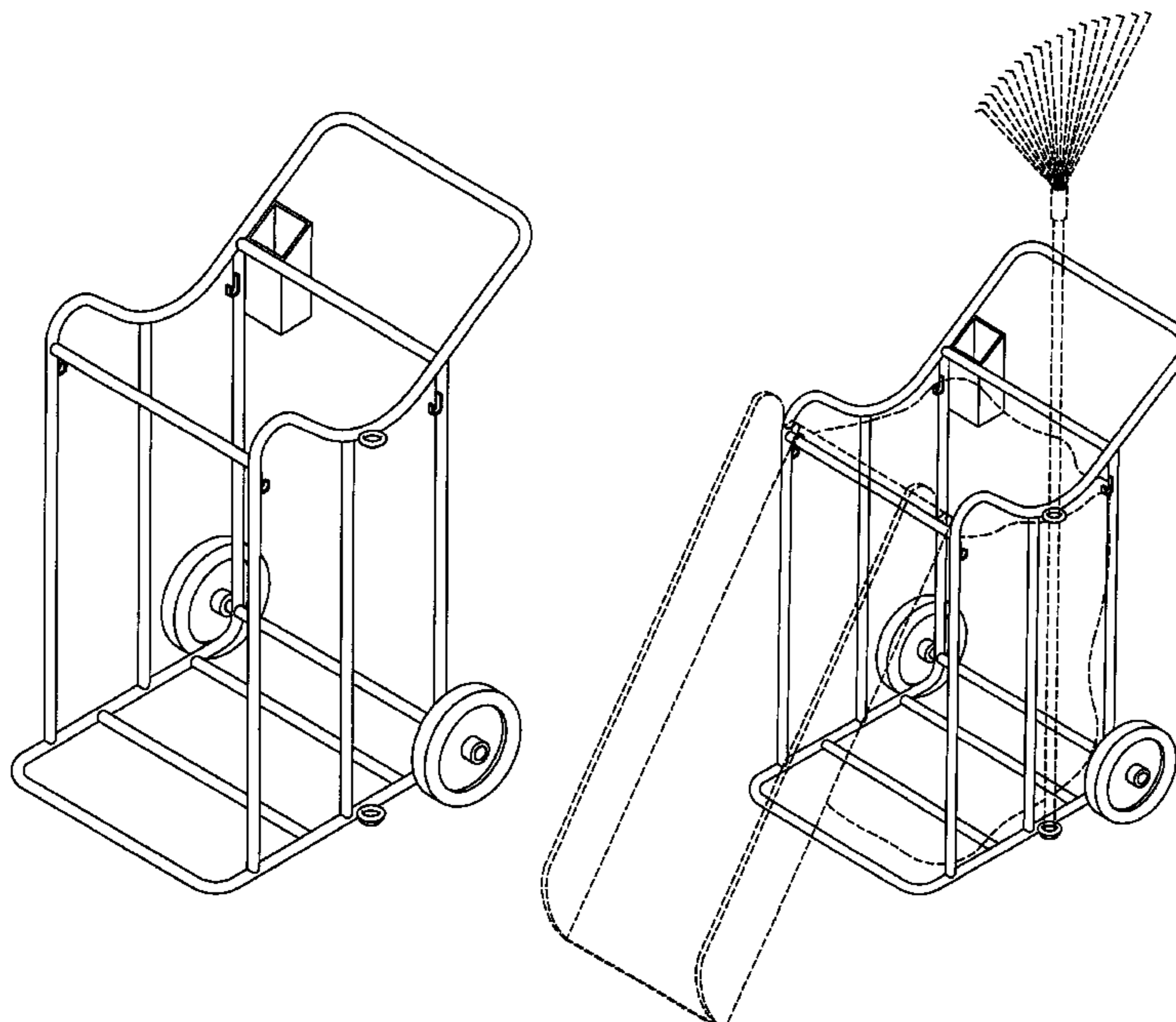
FIG. 9 is a perspective view corresponding to FIG. 8, wherein the ramp is stowed in the cart.

FIG. 10 is a perspective view showing the claimed design; and,

FIG. 11 is a side elevation view from the left side in FIG. 10. The underside of the ramp is substantially flat and unornamented.

The broken line showing of the rake and bag is for illustrative purposes only and forms no part of the claimed design.

1 Claim, 10 Drawing Sheets



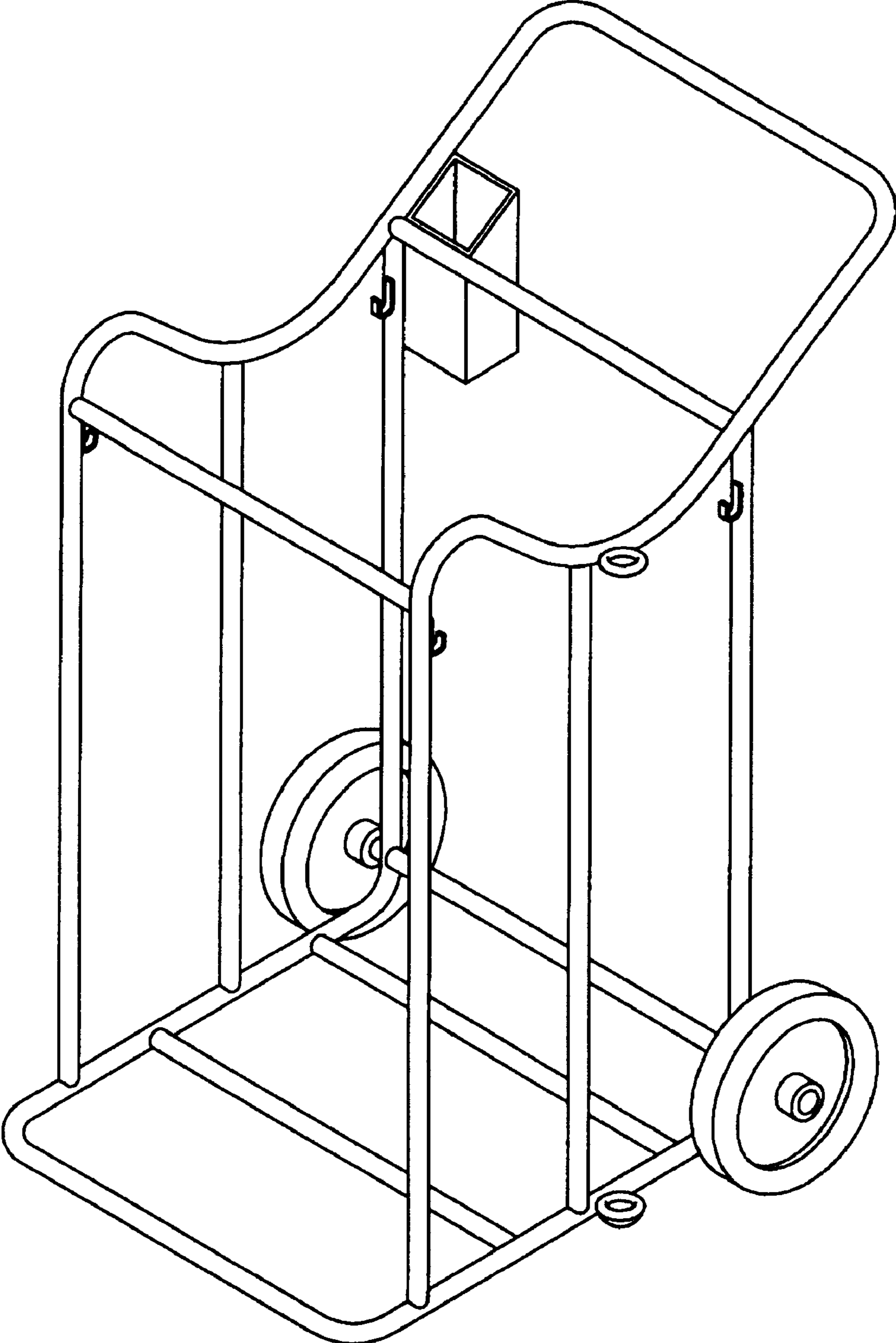


FIG. 1

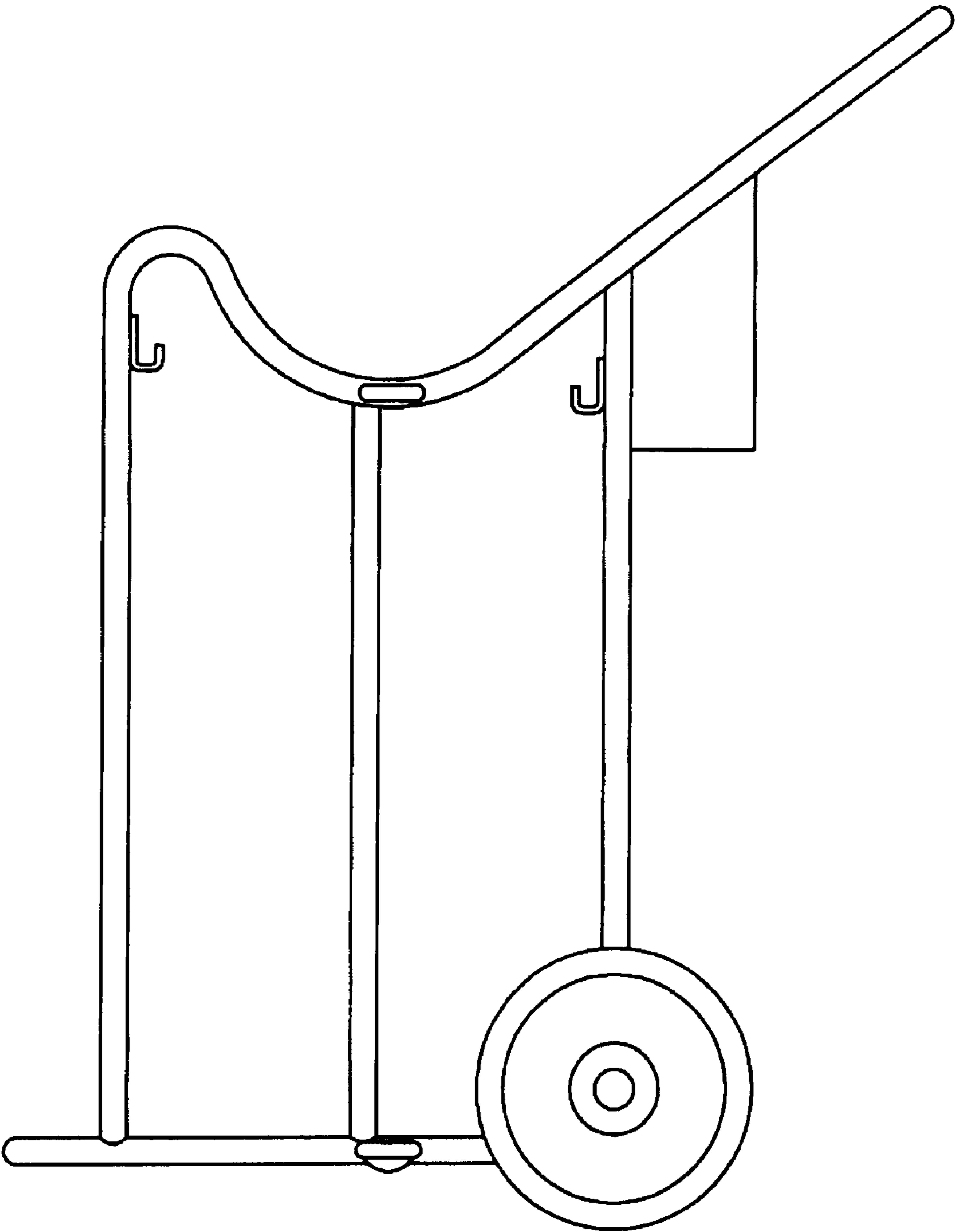


FIG. 2

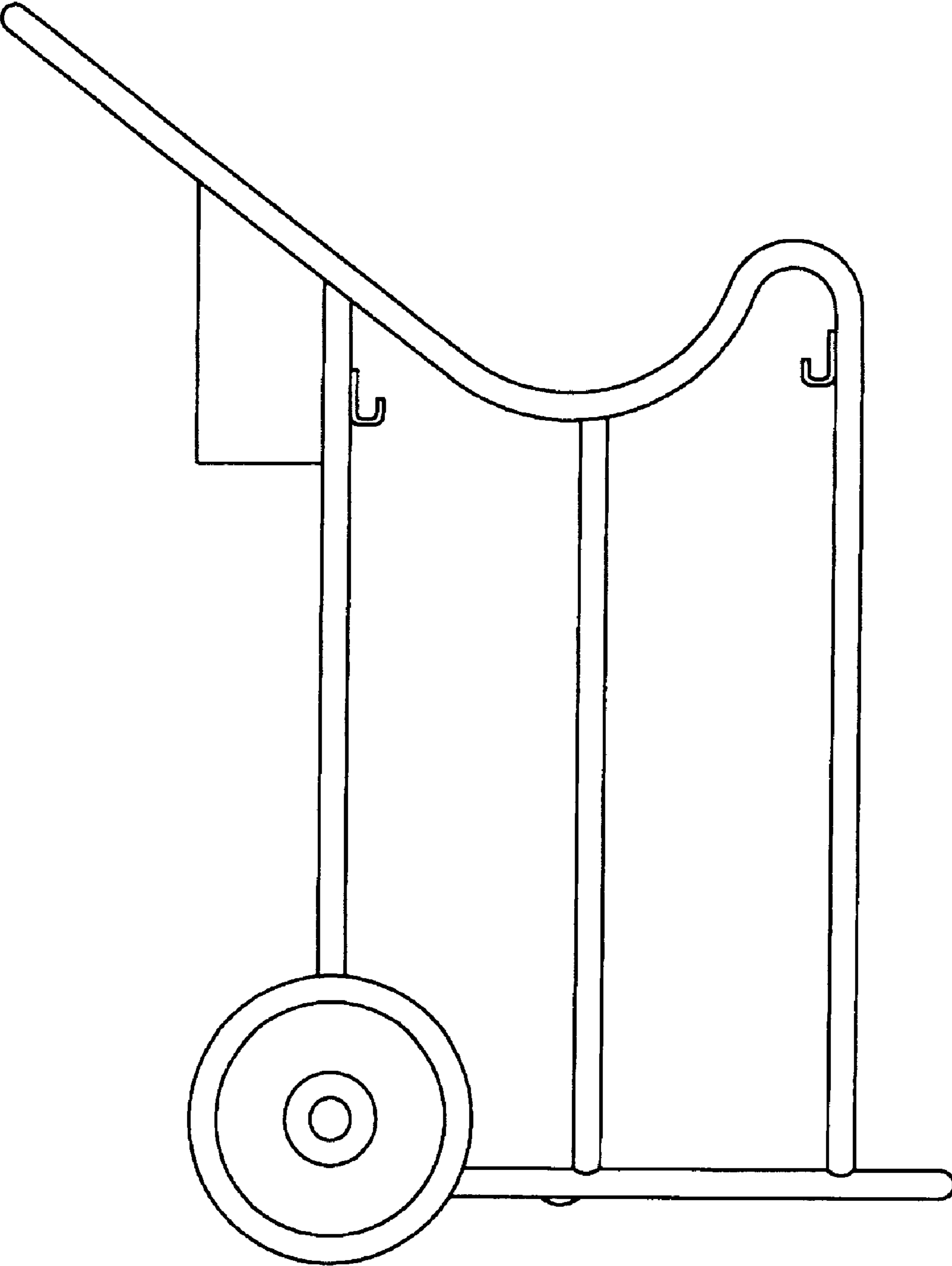


FIG. 3

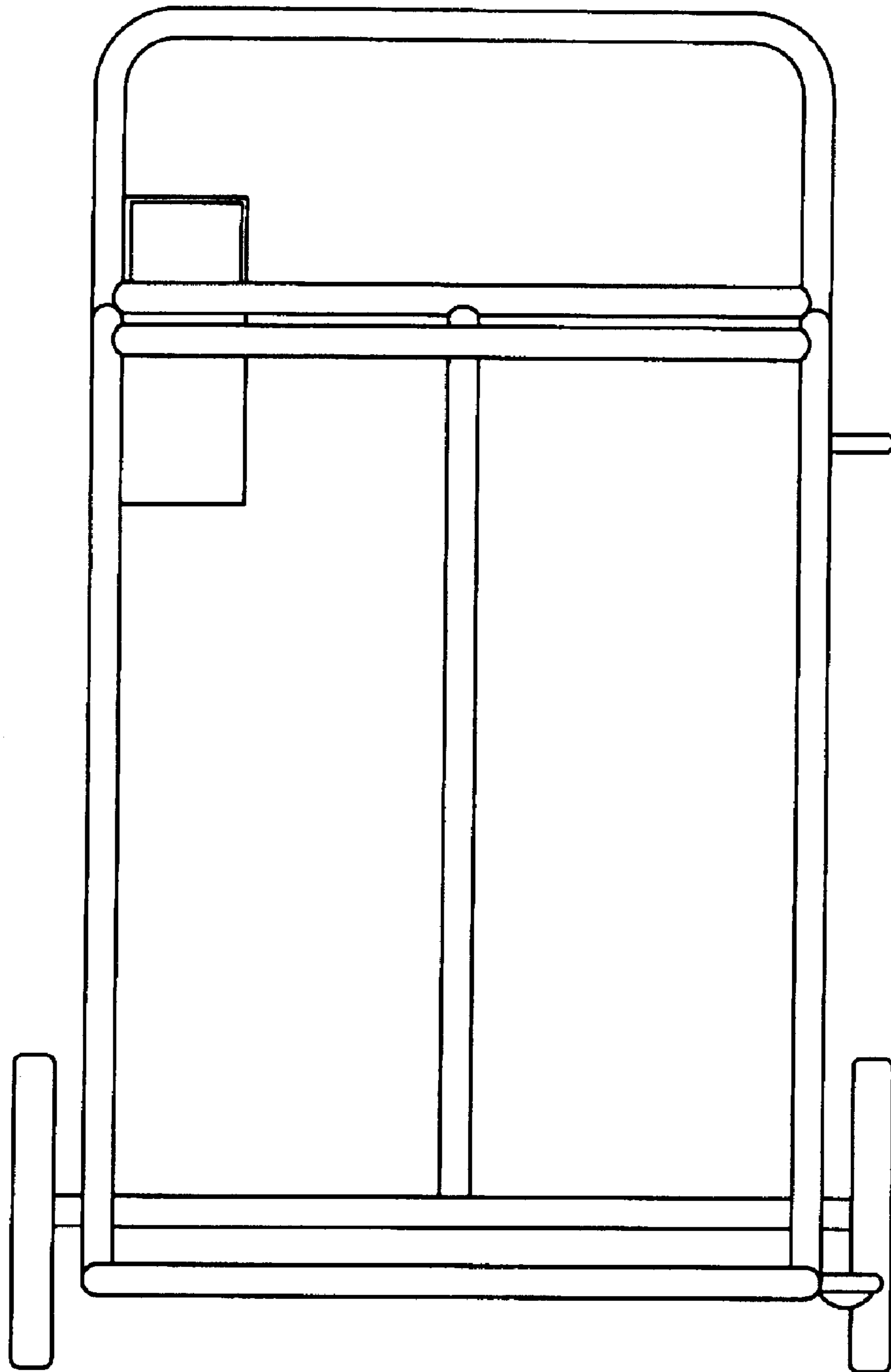


FIG. 4

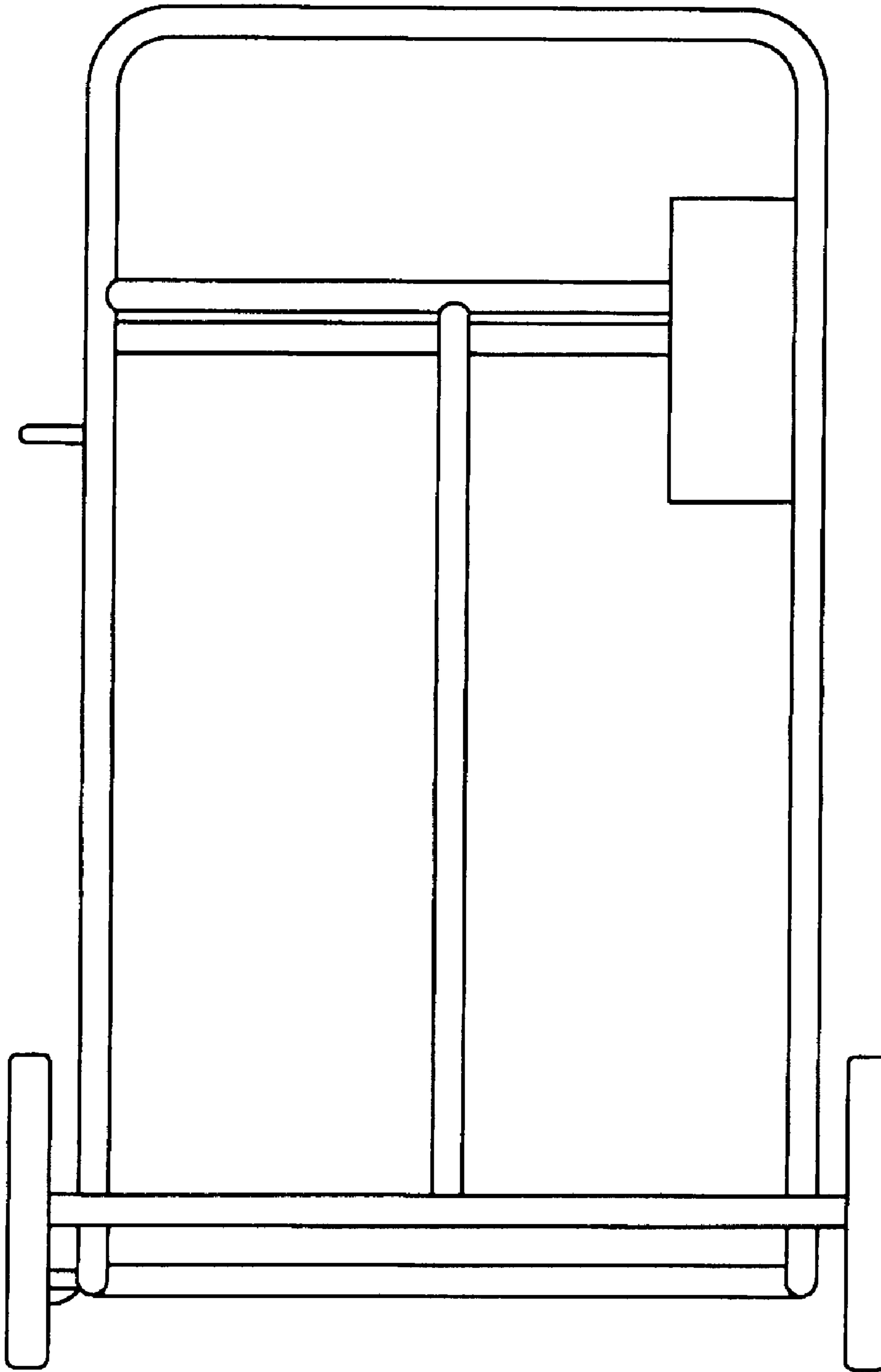


FIG. 5

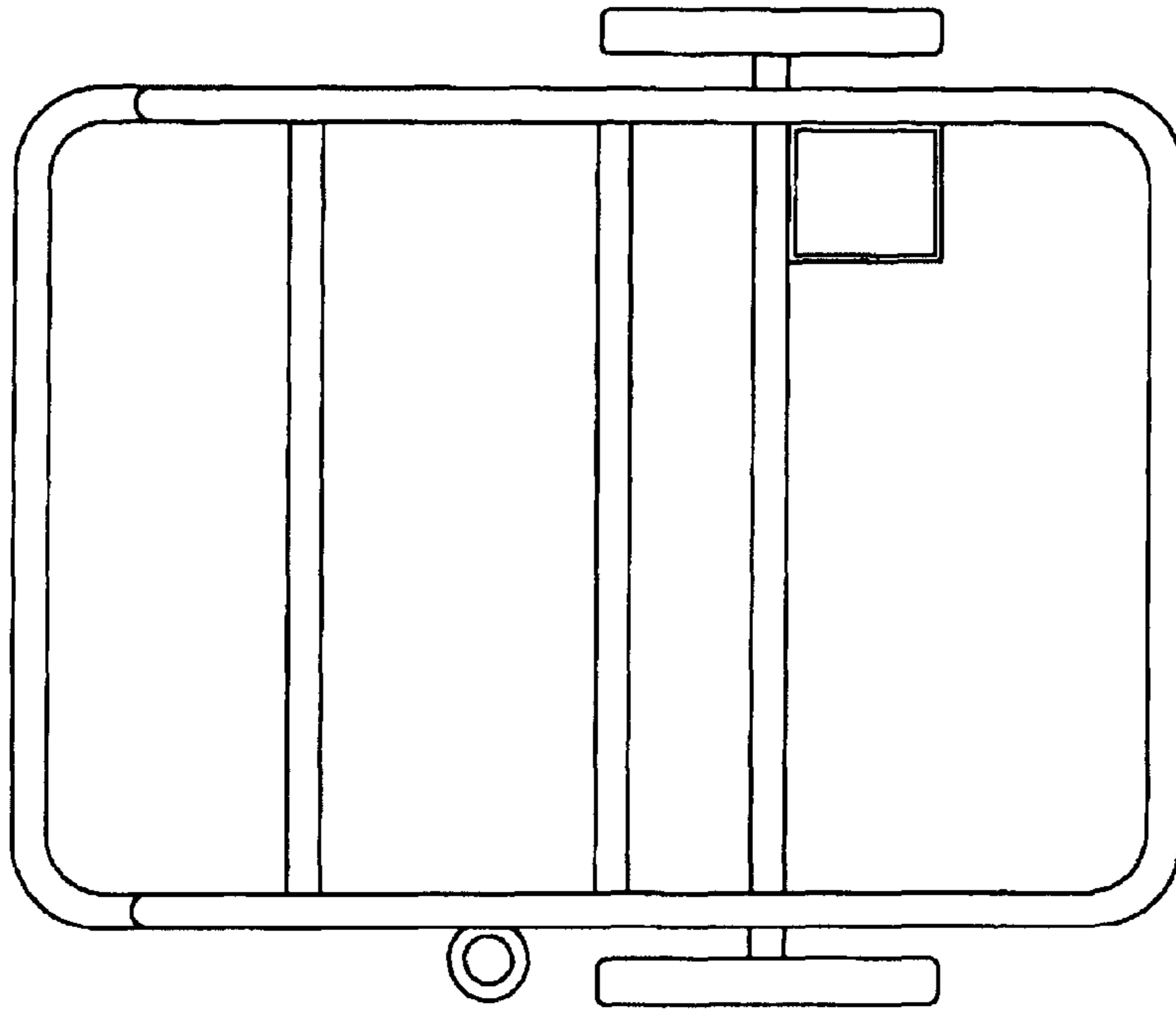


FIG. 6

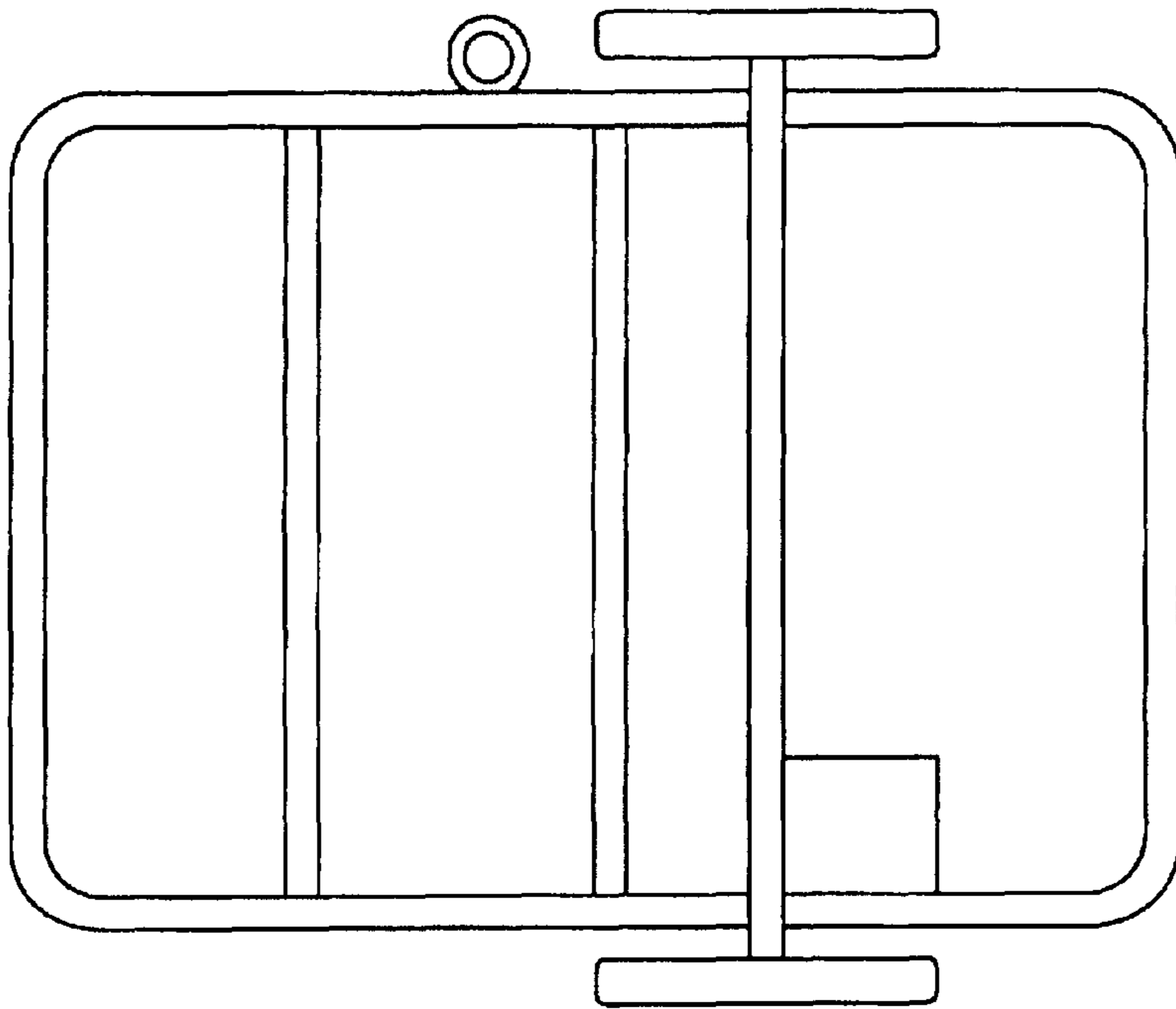


FIG. 7

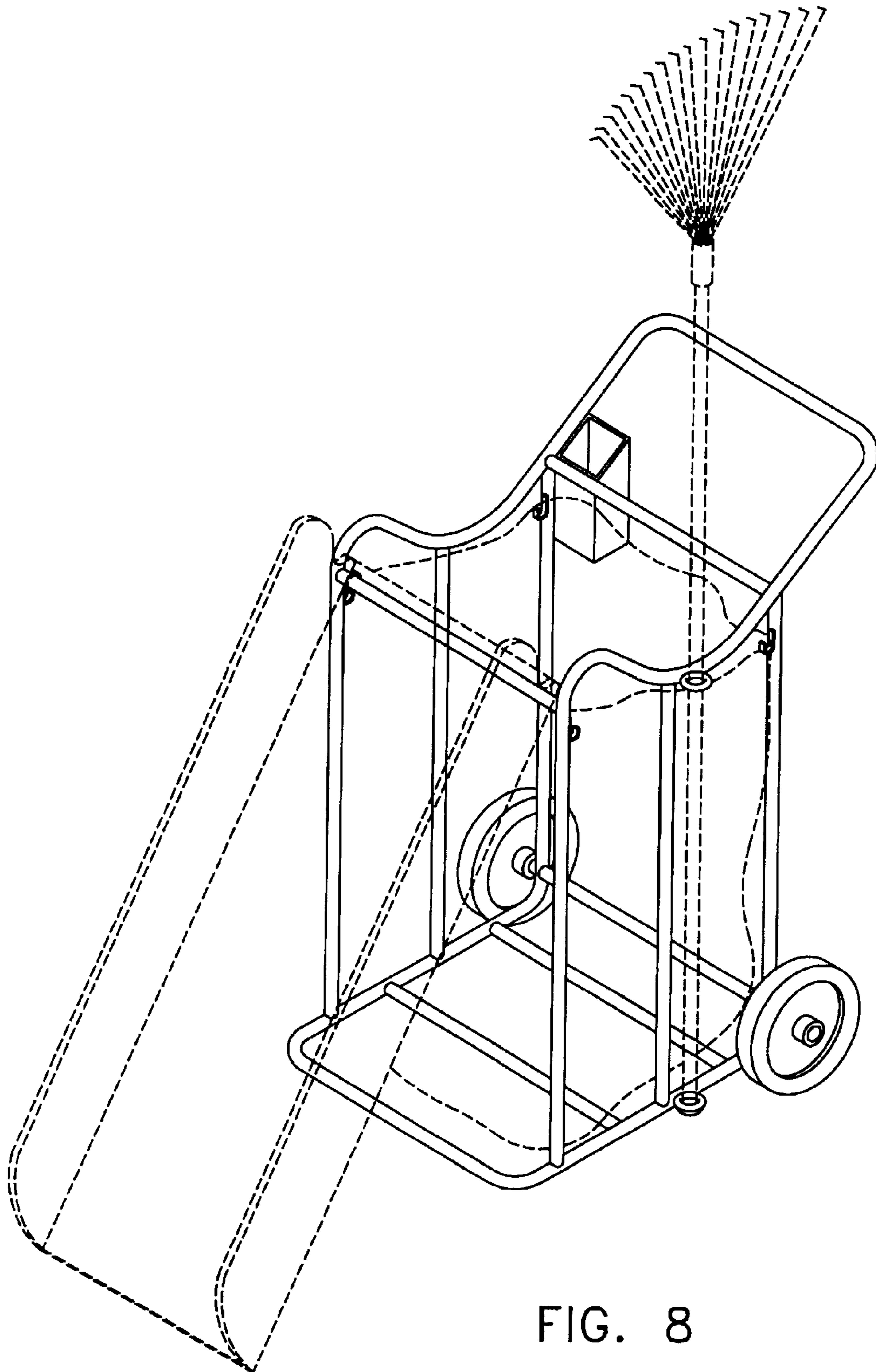


FIG. 8

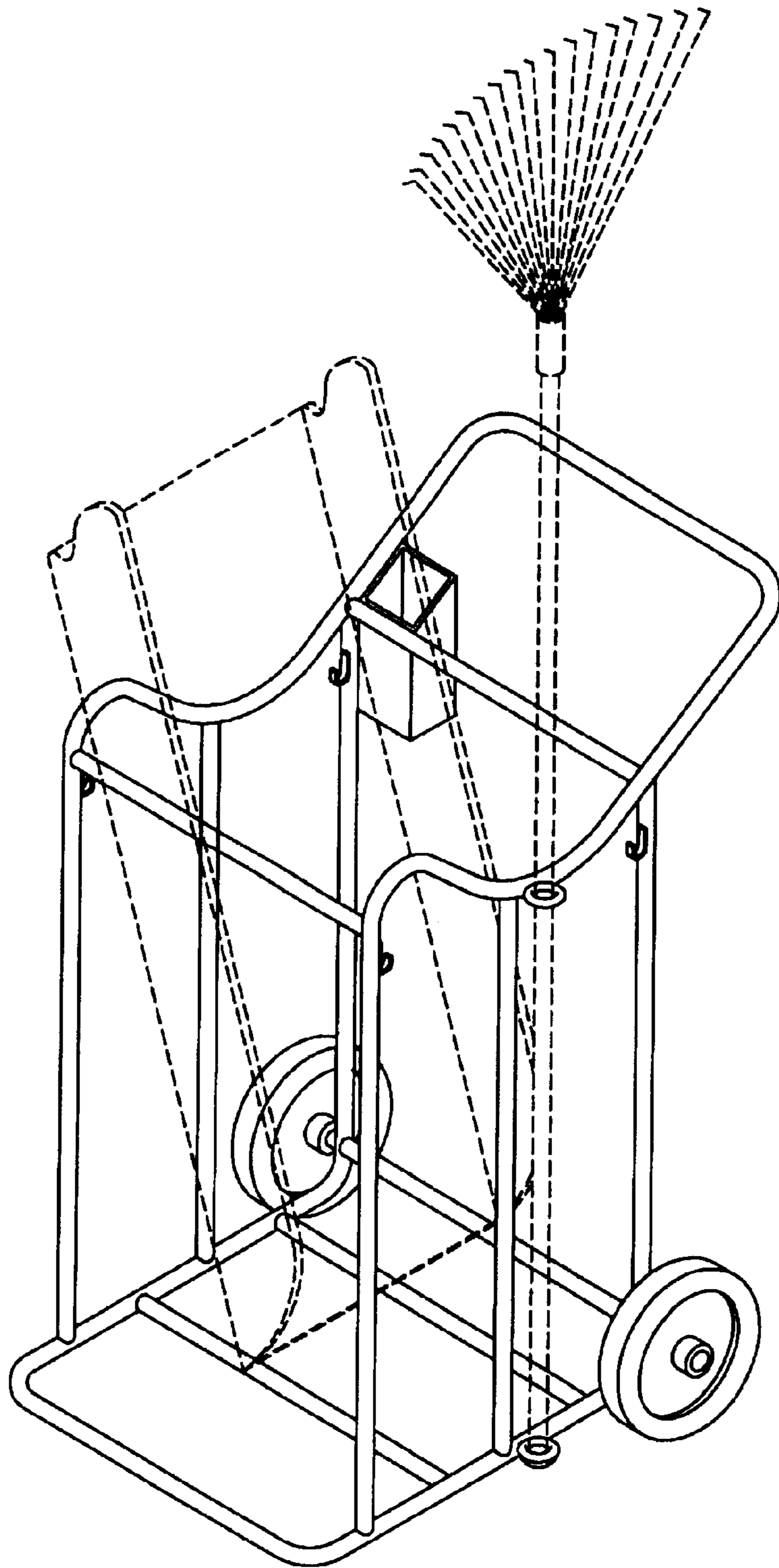


FIG. 9

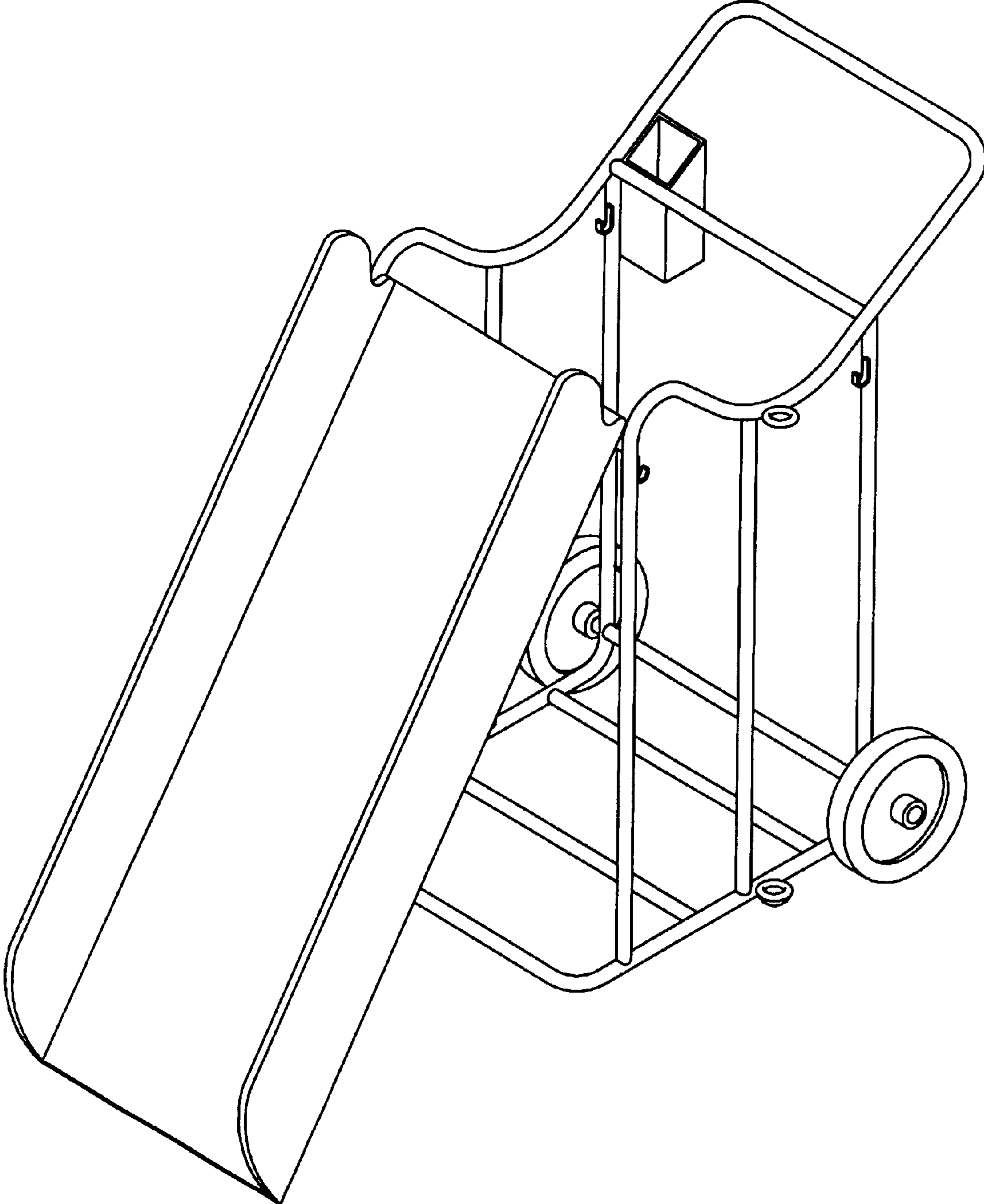


FIG. 10

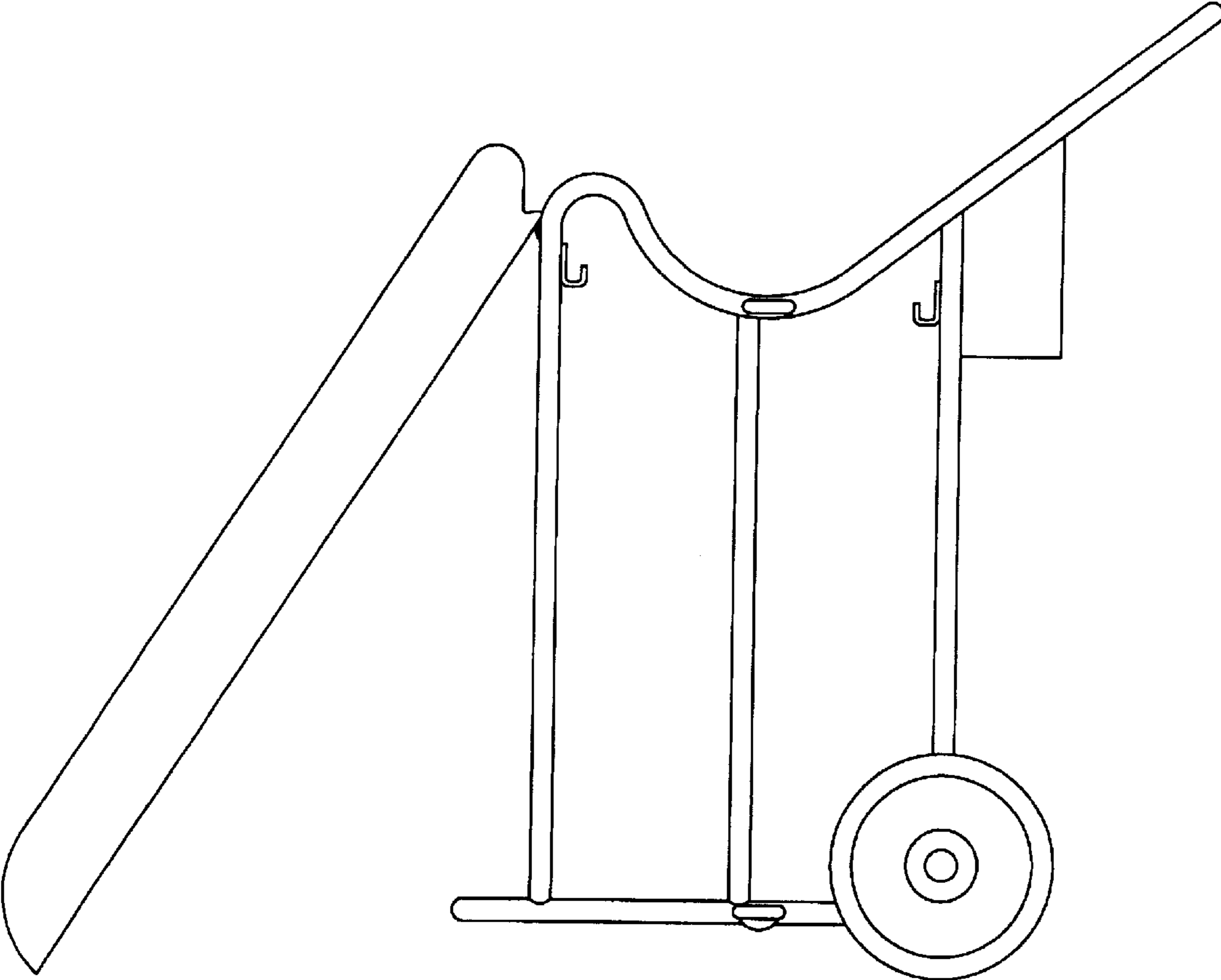


FIG. 11

UNITED STATES PATENT AND TRADEMARK OFFICE
CERTIFICATE OF CORRECTION

PATENT NO. : Des. 537,603 S
APPLICATION NO. : 29/251380
DATED : February 27, 2007
INVENTOR(S) : Sun K. Oh

Page 1 of 4

It is certified that error appears in the above-identified patent and that said Letters Patent is hereby corrected as shown below:

The Title Page, showing an illustrative figure, should be deleted and substitute therefor the attach tile page.

Delete drawings sheet 7-8 and substitute therefor the drawing sheets, consisting of figs. 8-9 as shown on the attached page.

Signed and Sealed this

Eleventh Day of September, 2007

A handwritten signature in black ink on a dotted background. The signature reads "Jon W. Dudas" in a cursive style.

JON W. DUDAS

Director of the United States Patent and Trademark Office

(12) **United States Design Patent** (10) Patent No.: **US D537,603 S**
 Oh (45) Date of Patent: **** Feb. 27, 2007**

(54) REFUSE COLLECTION CART WITH RAMP

(75) Inventor: Sun K. Oh, Lansdale, PA (US)

(73) Assignee: Byung H. Kim, Jiangsu (CN); part interest

(**) Term: 14 Years

(21) Appl. No.: 29/251,380

(22) Filed: Jun. 6, 2006

(51) LOC (8) Cl. 12-02

(52) U.S. Cl. D34/24

(58) Field of Classification Search D34/12-27;
 280/47.18, 655, 652, 47.16, 47.29, 646, 5.2,
 280/654, 47.24, 5.32, 47.19, 79.5, 47.34;
 D24/185

See application file for complete search history.

(56) **References Cited**

U.S. PATENT DOCUMENTS

D148,128 S	*	12/1947	Brotzman	D34/21
2,723,863 A	*	11/1955	Mattio	280/47.24
3,041,026 A		7/1962	Wilson		
D242,537 S	*	11/1976	Marsell	D34/24
D252,746 S	*	8/1979	Ek	D34/26
4,202,521 A		5/1980	Harding		
4,247,130 A	*	1/1981	Paterson	280/654
D267,359 S	*	12/1982	Mustard	D34/26
4,461,441 A		7/1984	Briggs		
4,805,857 A		2/1989	Travis		
D303,443 S	*	9/1989	Shoeter	D34/18
4,921,193 A		5/1990	Benesch		
4,976,406 A		12/1990	Buckley et al.		
5,323,990 A		6/1994	Graves		
5,328,182 A	*	7/1994	Kuo	280/5.32
5,487,551 A		1/1996	Kennedy		

D456,582 S	*	4/2002	Riach	D34/24
6,471,237 B1	*	10/2002	Bedsole	280/655
6,795,564 B2	*	9/2004	Kelly	280/47.24
2002/0101048 A1	*	8/2002	Sword	280/47.36
2003/0057668 A1	*	3/2003	Peters	280/47.24

* cited by examiner

Primary Examiner—Freda S. Nunn

Assistant Examiner—Kevin K. Rudzinski

(74) Attorney, Agent, or Firm—Dunne Morris LLP

(57) **CLAIM**

The ornamental design of a refuse collection cart with ramp, as shown and described.

DESCRIPTION

FIG. 1 is a perspective view of a refuse collection cart with ramp according to the new design.

FIG. 2 is an elevation view from the right side in FIG. 1.

FIG. 3 is an elevation view from the left side in FIG. 1.

FIG. 4 is an elevation view from the front.

FIG. 5 is an elevation view from the rear.

FIG. 6 is a top plan view.

FIG. 7 is a bottom plan view.

FIG. 8 is a perspective view showing the design as deployed, with a rake and collection bag shown in phantom lines.

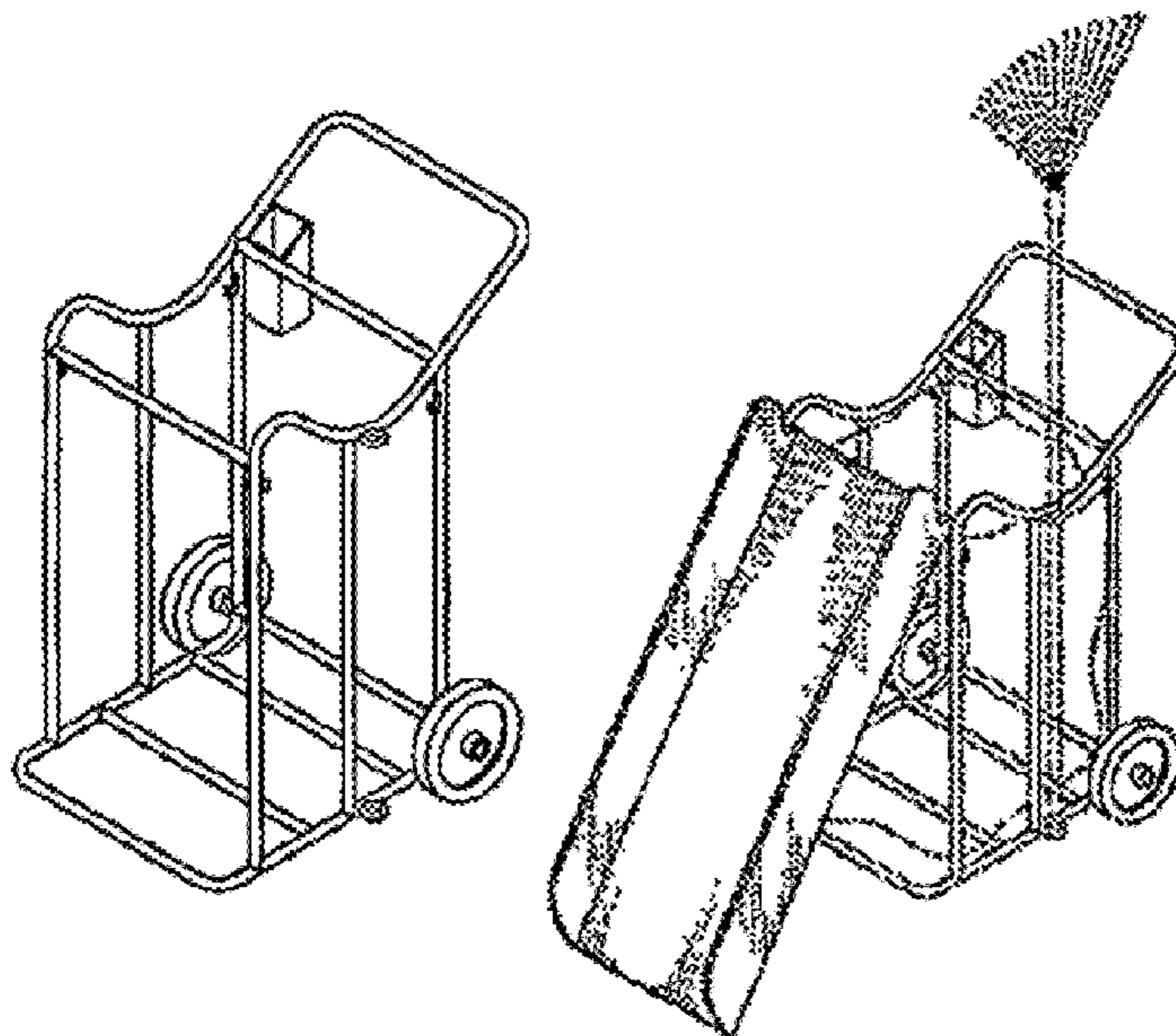
FIG. 9 is a perspective view corresponding to FIG. 8, wherein the ramp is stowed in the cart.

FIG. 10 is a perspective view showing the claimed design; and,

FIG. 11 is a side elevation view from the left side in FIG. 10. The underside of the ramp is substantially flat and unornamented.

The broken line showing of the rake and bag is for illustrative purposes only and forms no part of the claimed design.

1 Claim, 10 Drawing Sheets



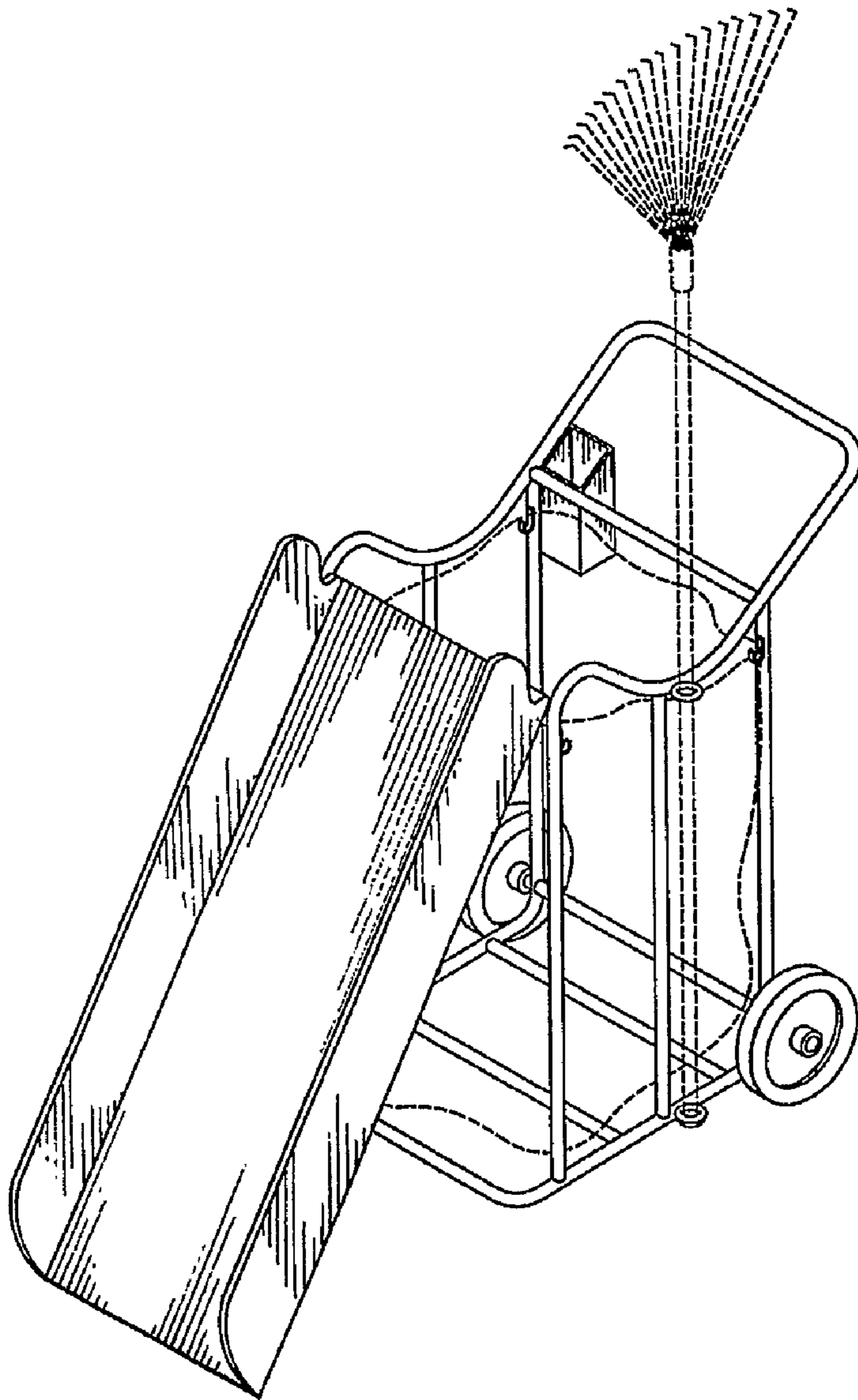


FIG. 8

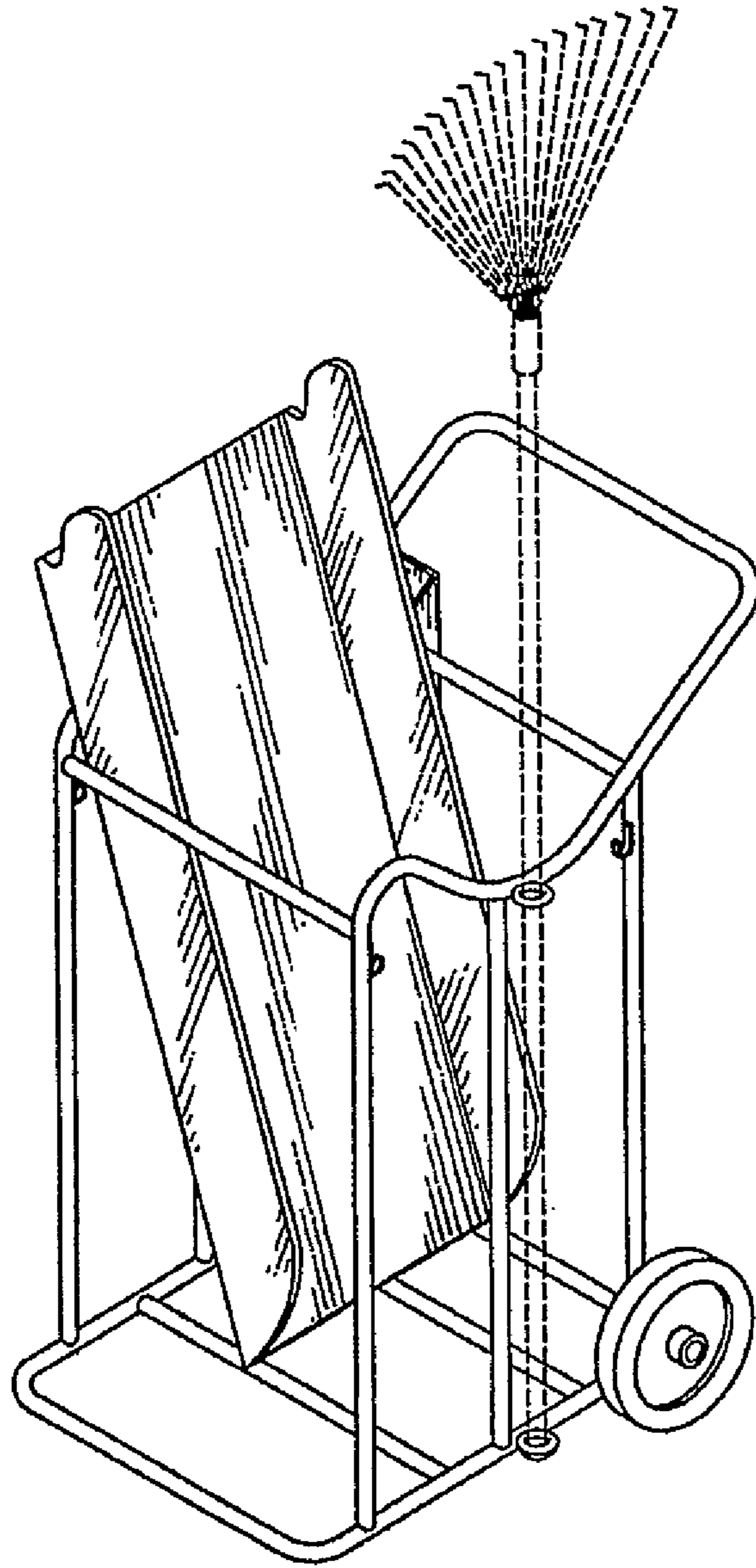


FIG. 9