



US00D537601S

(12) **United States Design Patent**  
**Lin**

(10) **Patent No.:** **US D537,601 S**

(45) **Date of Patent:** **\*\* Feb. 27, 2007**

(54) **GARBAGE CAN**

(76) **Inventor:** **Tsong-Yow Lin**, No. 57-1, Yung Ho Street, Yung Ho Village, Ta Tu Hsiang, Taichung Hsien (TW)

(\*\*) **Term:** **14 Years**

(21) **Appl. No.:** **29/231,874**

(22) **Filed:** **Jun. 10, 2005**

(51) **LOC (8) Cl.** ..... **09-09**

(52) **U.S. Cl.** ..... **D34/9**

(58) **Field of Classification Search** ..... D34/1,  
D34/5, 6, 7, 8, 9, 10, 11; 220/908, 262-264  
See application file for complete search history.

(56) **References Cited**

**U.S. PATENT DOCUMENTS**

2,242,698	A	*	5/1941	Evitt	.....	220/263
3,008,604	A	*	11/1961	Garner	.....	220/87.1
D482,169	S	*	11/2003	Lin	.....	D34/9
D483,167	S	*	12/2003	Lin	.....	D34/7
D490,954	S	*	6/2004	Brand	.....	D34/9
D493,931	S	*	8/2004	Lin	.....	D34/9
D494,723	S	*	8/2004	Lin	.....	D34/9
D494,724	S	*	8/2004	Lin	.....	D34/9
D509,036	S	*	8/2005	Lin	.....	D34/9
7,004,349	B2	*	2/2006	Heiberg et al.	.....	220/827

D517,762	S	*	3/2006	Lin	.....	D34/9
D517,765	S	*	3/2006	Lin	.....	D34/9
D521,706	S	*	5/2006	Lin	.....	D34/9
2003/0230576	A1	*	12/2003	Lin	.....	220/263
2004/0016756	A1	*	1/2004	Lin	.....	220/263
2005/0230396	A1	*	10/2005	Yang et al.	.....	220/264
2005/0230397	A1	*	10/2005	Yang et al.	.....	220/264
2006/0144839	A1	*	7/2006	Yang et al.	.....	220/263
2006/0186121	A1	*	8/2006	Yang et al.	.....	220/263

\* cited by examiner

*Primary Examiner*—Cynthia E. Ramirez

(74) *Attorney, Agent, or Firm*—Alan D. Kamrath; Nikolai & Mersereau, P.A.

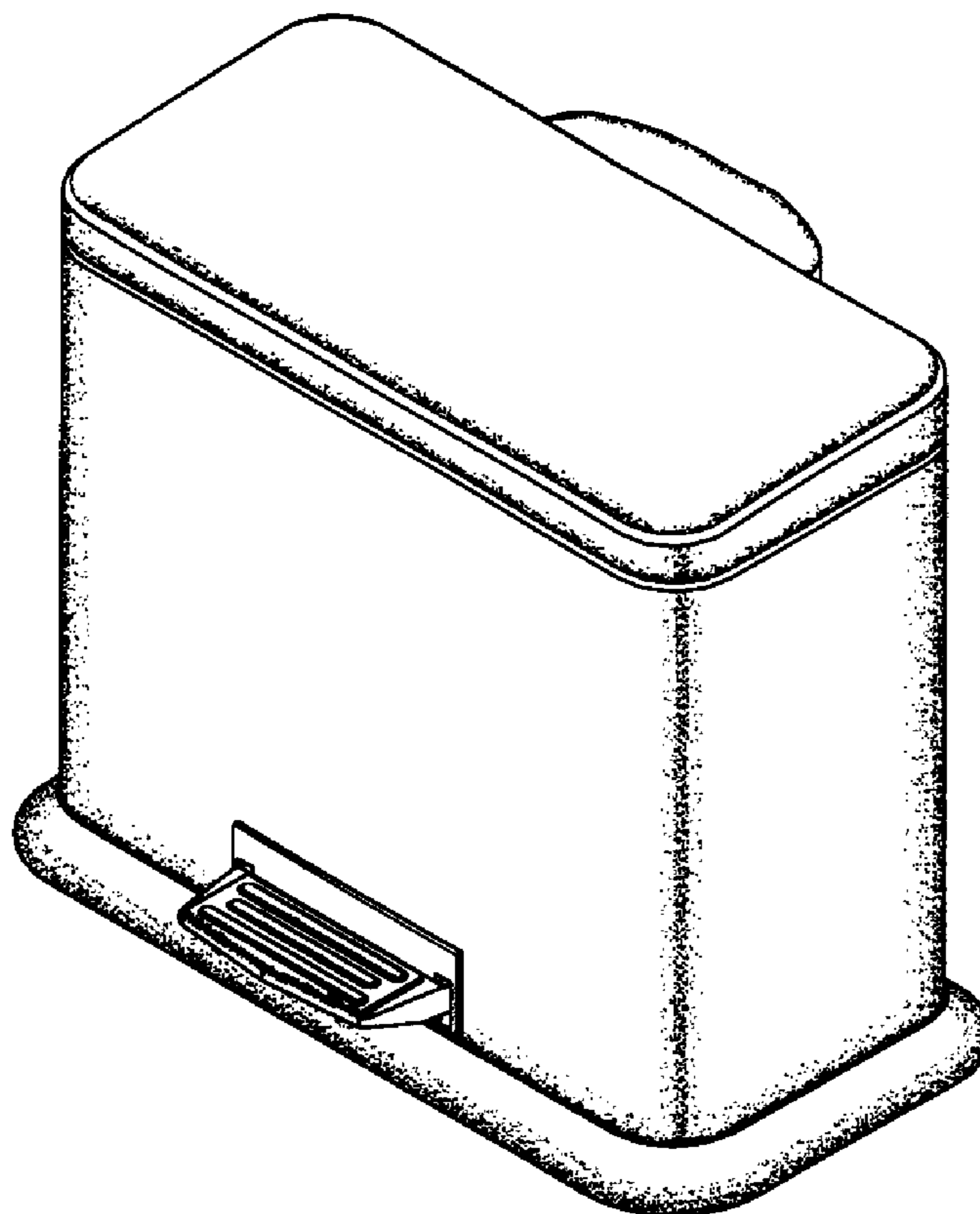
(57) **CLAIM**

The ornamental design for garbage can, as shown and described.

**DESCRIPTION**

FIG. 1 is a perspective view of a garbage can showing my new design;  
FIG. 2 is a front view thereof;  
FIG. 3 is a rear view thereof;  
FIG. 4 is a right view thereof; the opposite side being a mirror image of the shown; and,  
FIG. 5 is a top view thereof.

**1 Claim, 2 Drawing Sheets**



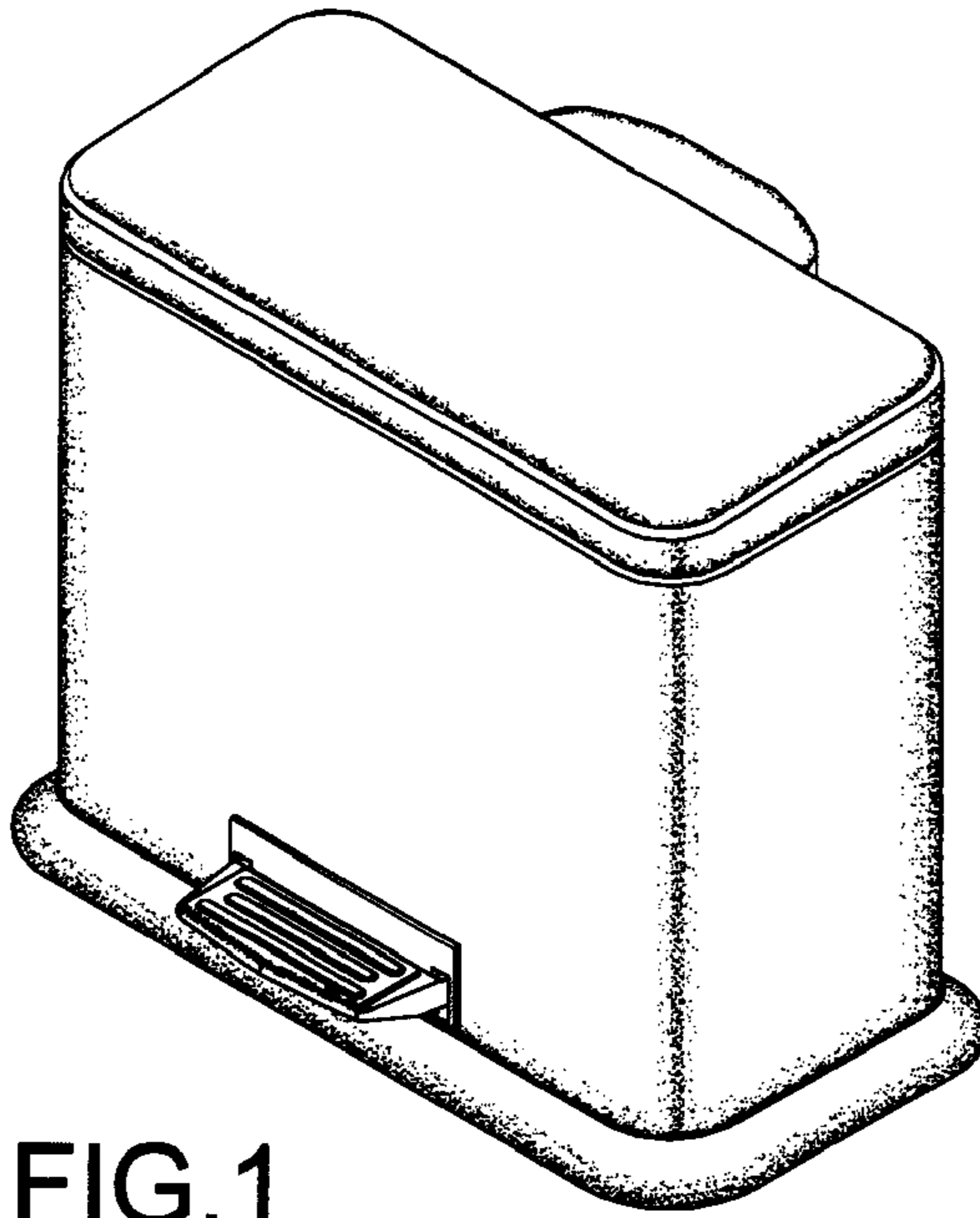


FIG.1

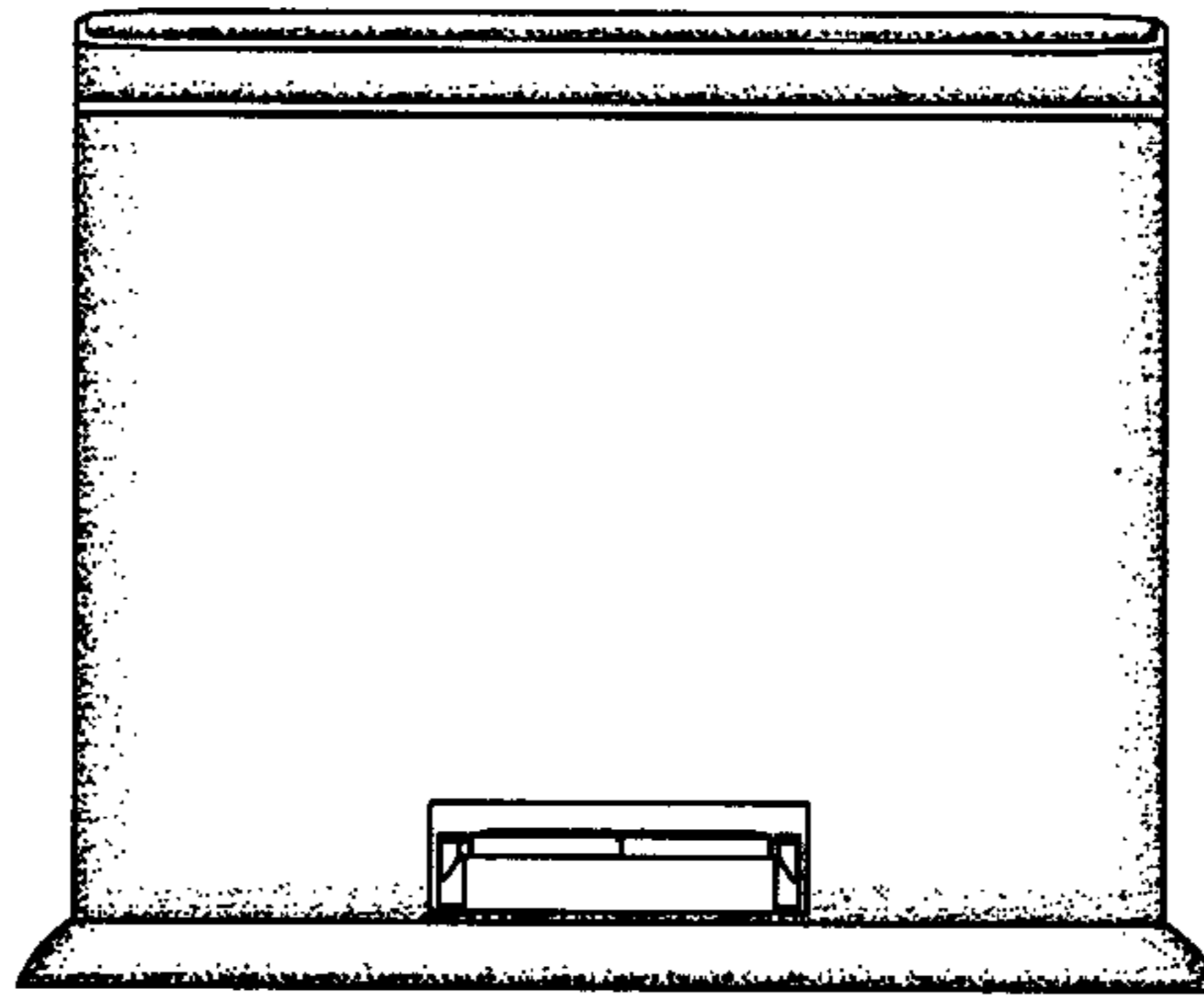


FIG.2

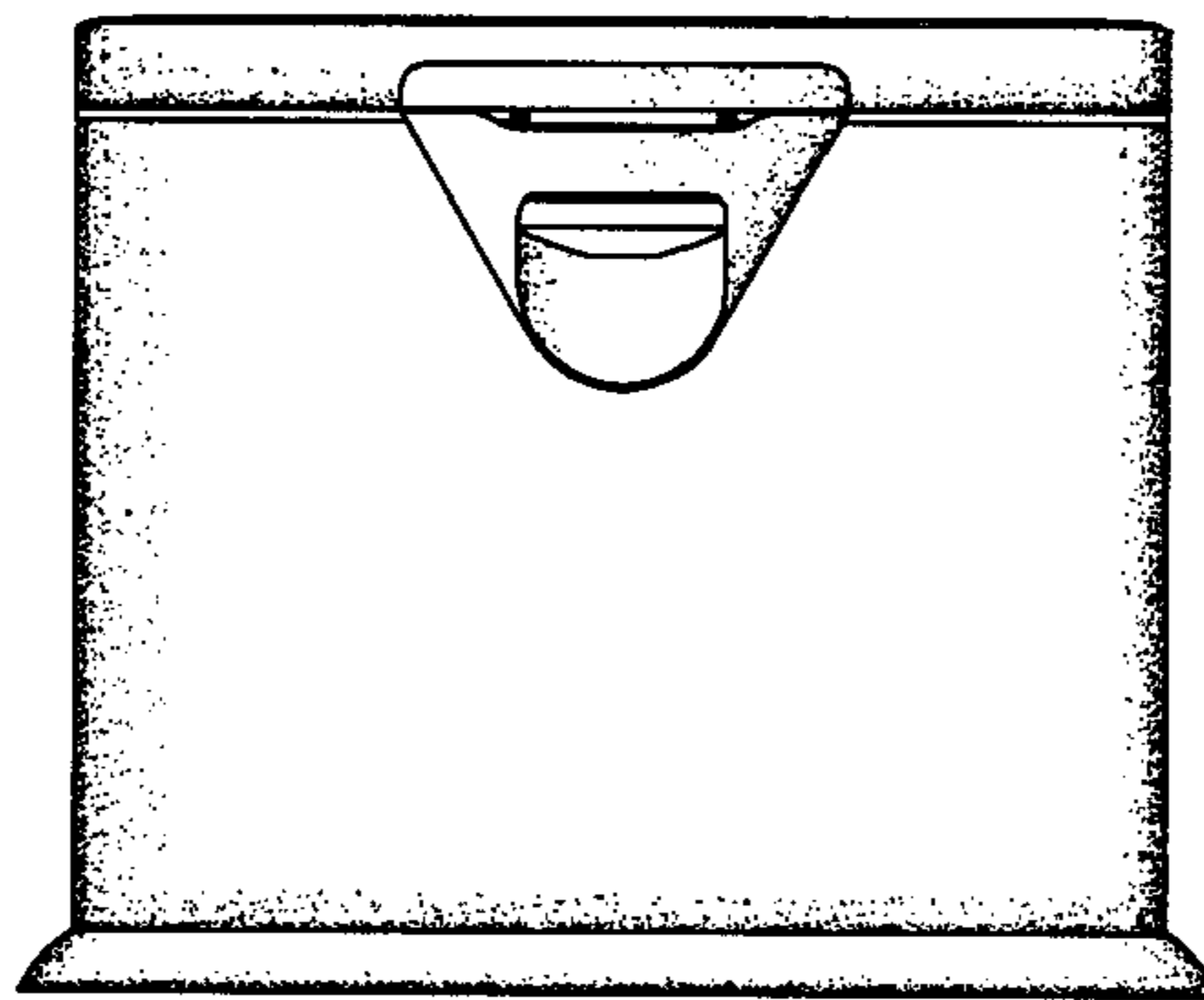


FIG.3

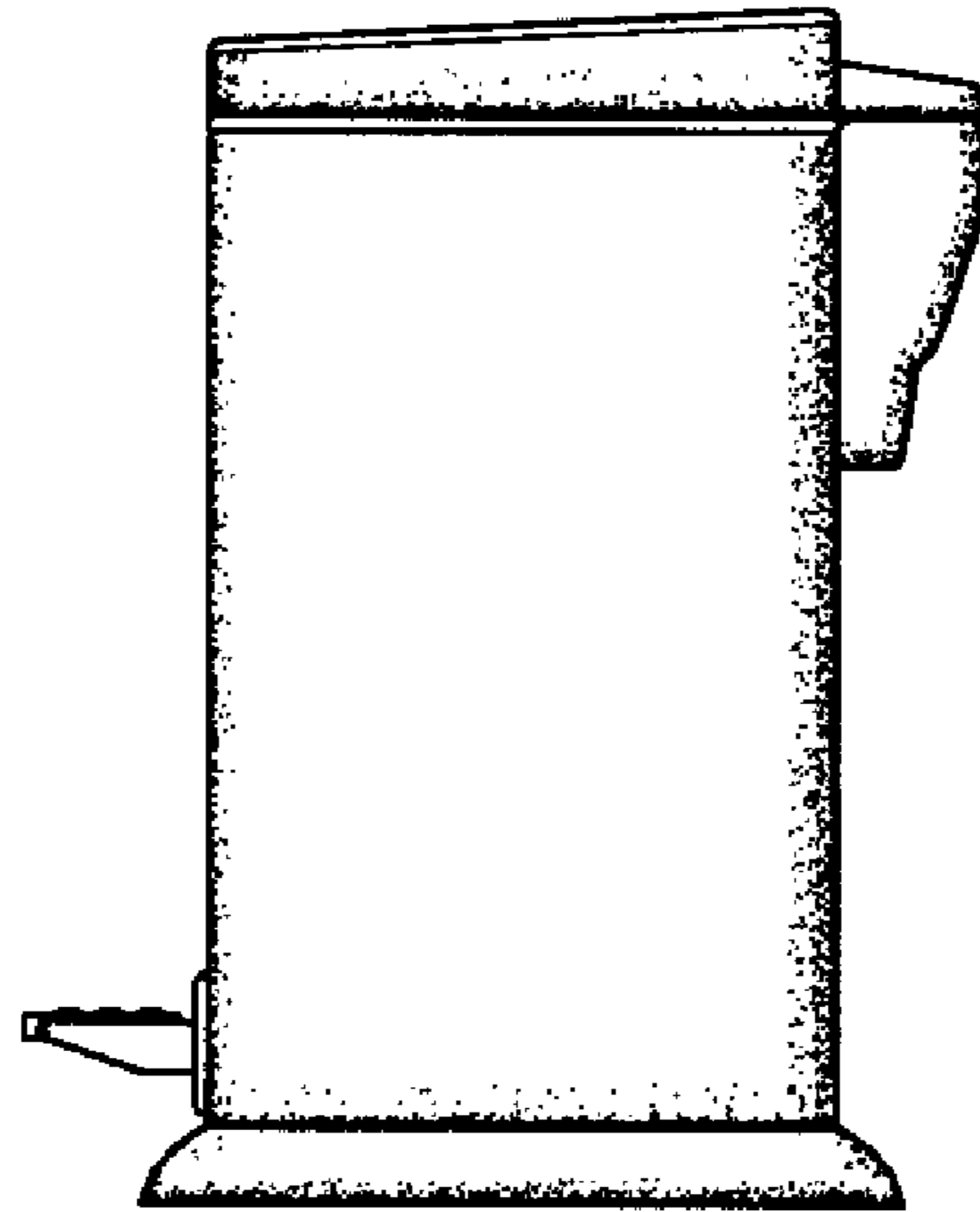


FIG. 4

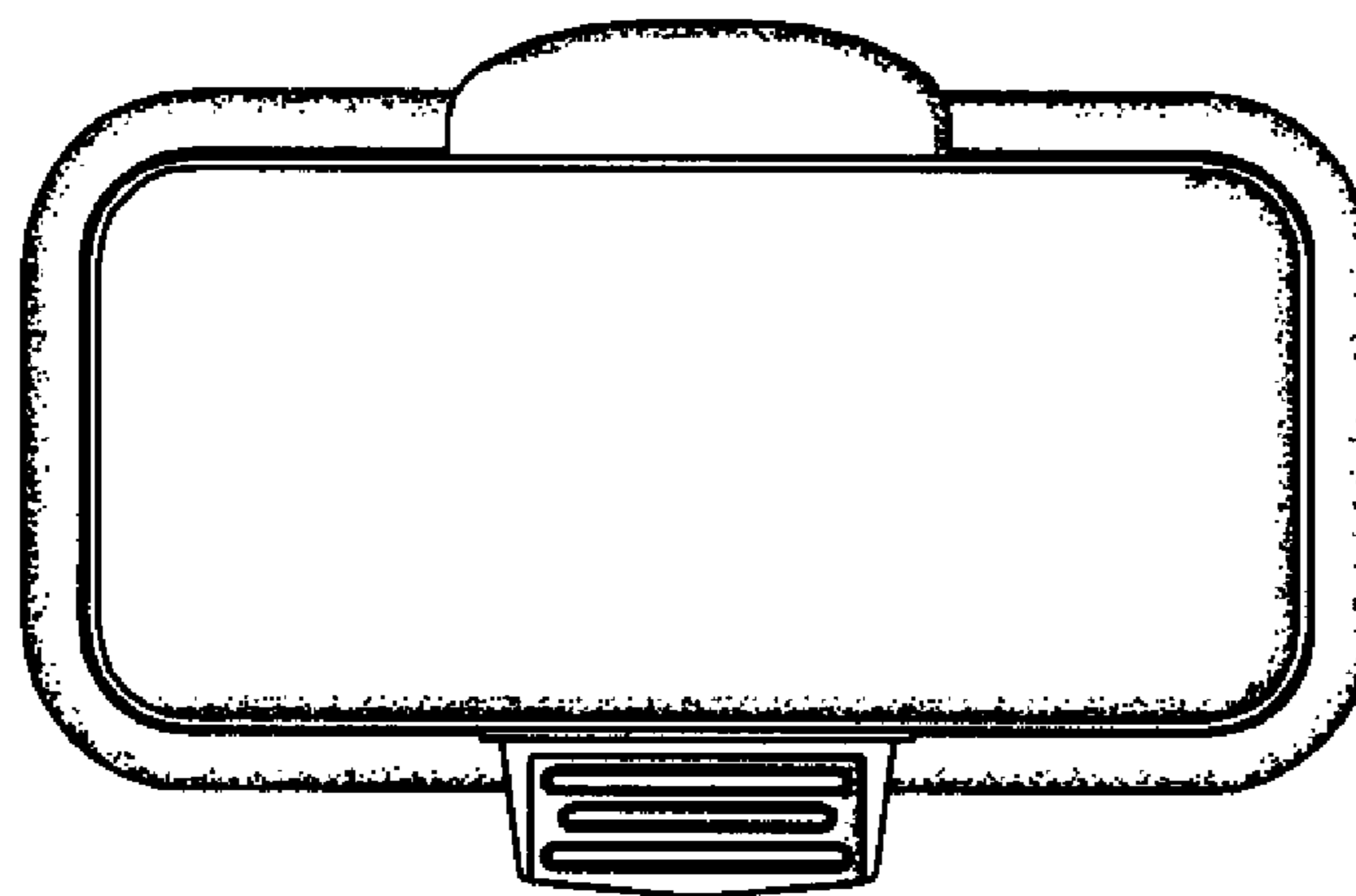


FIG. 5