



US00D537588S

(12) **United States Design Patent**
Ajluni et al.

(10) **Patent No.:** **US D537,588 S**

(45) **Date of Patent:** **** Feb. 27, 2007**

(54) **CLEANING DEVICE**

(75) Inventors: **Sherry Ajluni**, Cumming, GA (US);
Jeff DeBoer, Ann Arbor, MI (US);
Michael Nellenbach, Clawson, MI (US)

(73) Assignee: **The Evercare Company**, Alpharetta, GA (US)

(**) Term: **14 Years**

(21) Appl. No.: **29/234,984**

(22) Filed: **Jul. 26, 2005**

(51) **LOC (8) Cl.** **04-01**

(52) **U.S. Cl.** **D32/45; D32/52**

(58) **Field of Classification Search** D4/114,
D4/137; D28/7, 63; D32/40, 45, 52; 15/229.11,
15/229.13, 244.1; 401/188 R, 190, 196, 205-207,
401/266, 268, 270, 278, 279

See application file for complete search history.

(56) **References Cited**

U.S. PATENT DOCUMENTS

1,454,023 A * 5/1923 Gale 401/207 X

D82,193 S * 9/1930 Tourtois D4/129
D101,784 S * 11/1936 Kurtz D32/45
D267,124 S * 11/1982 Markarian D32/45
5,397,194 A * 3/1995 Yuan et al. 401/266 X
D405,572 S * 2/1999 Bouchez D32/45
D459,026 S * 6/2002 Zigmans D28/7
7,040,830 B2 * 5/2006 Kliegman et al. 401/206 X

* cited by examiner

Primary Examiner—Alan P. Douglas

Assistant Examiner—Lavone D. Tabor

(74) *Attorney, Agent, or Firm*—Gifford, Krass, Groh, Sprinkle, Anderson & Citkowski, P.C.

(57) **CLAIM**

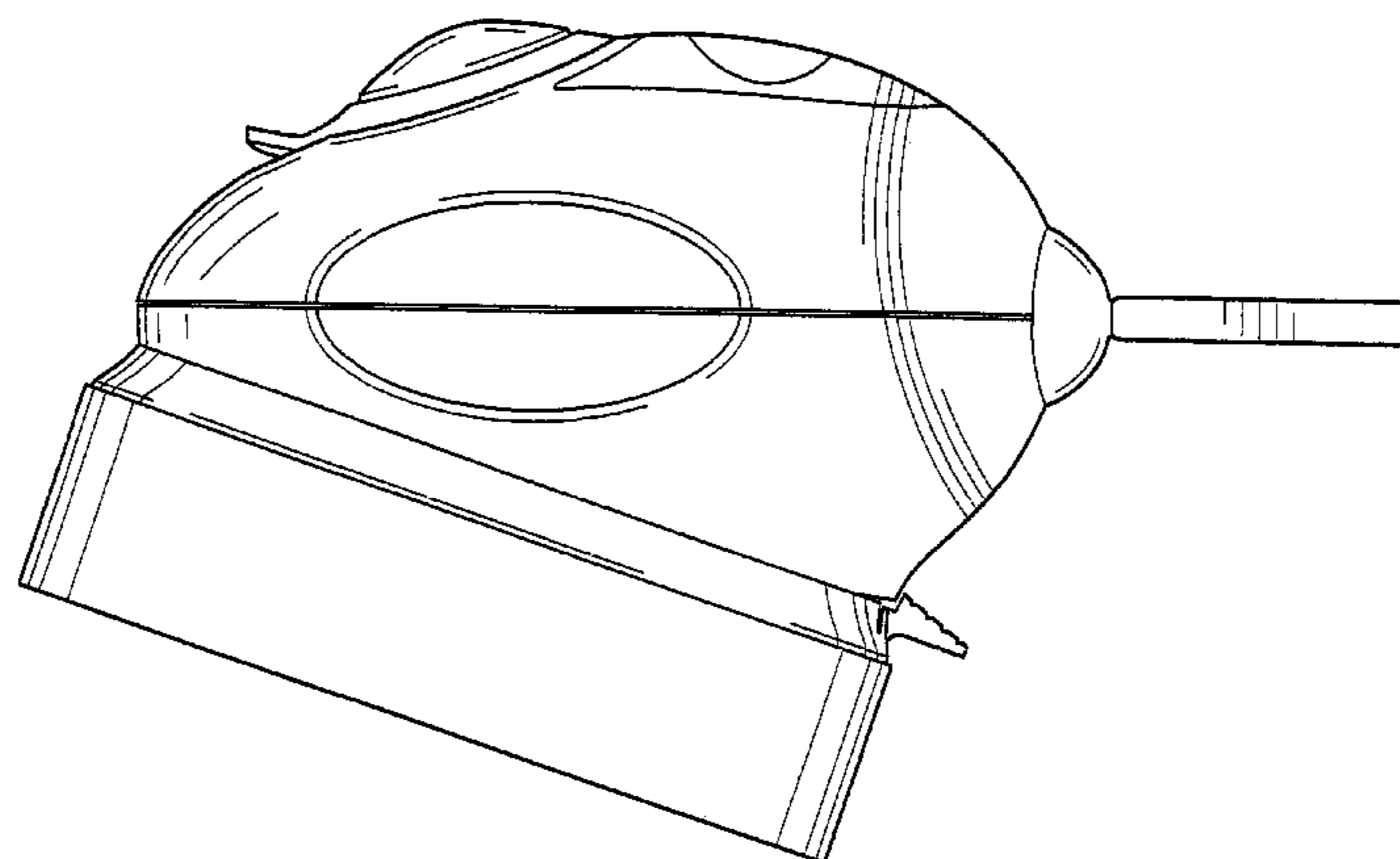
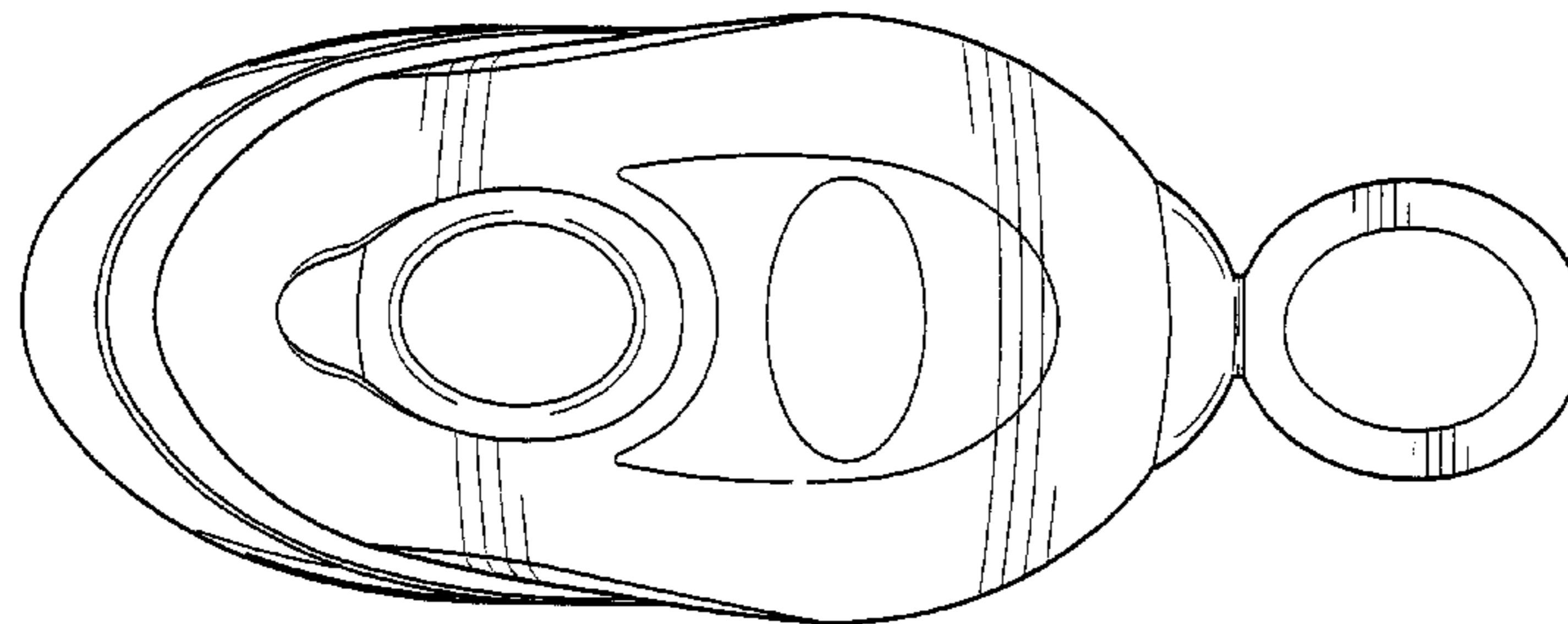
The ornamental design for a cleaning device, as shown and described.

DESCRIPTION

FIG. 1 is a top plan view of the cleaning device of the present invention; and,

FIG. 2 is a front view thereof, the rear view being a mirror image thereof.

1 Claim, 1 Drawing Sheet



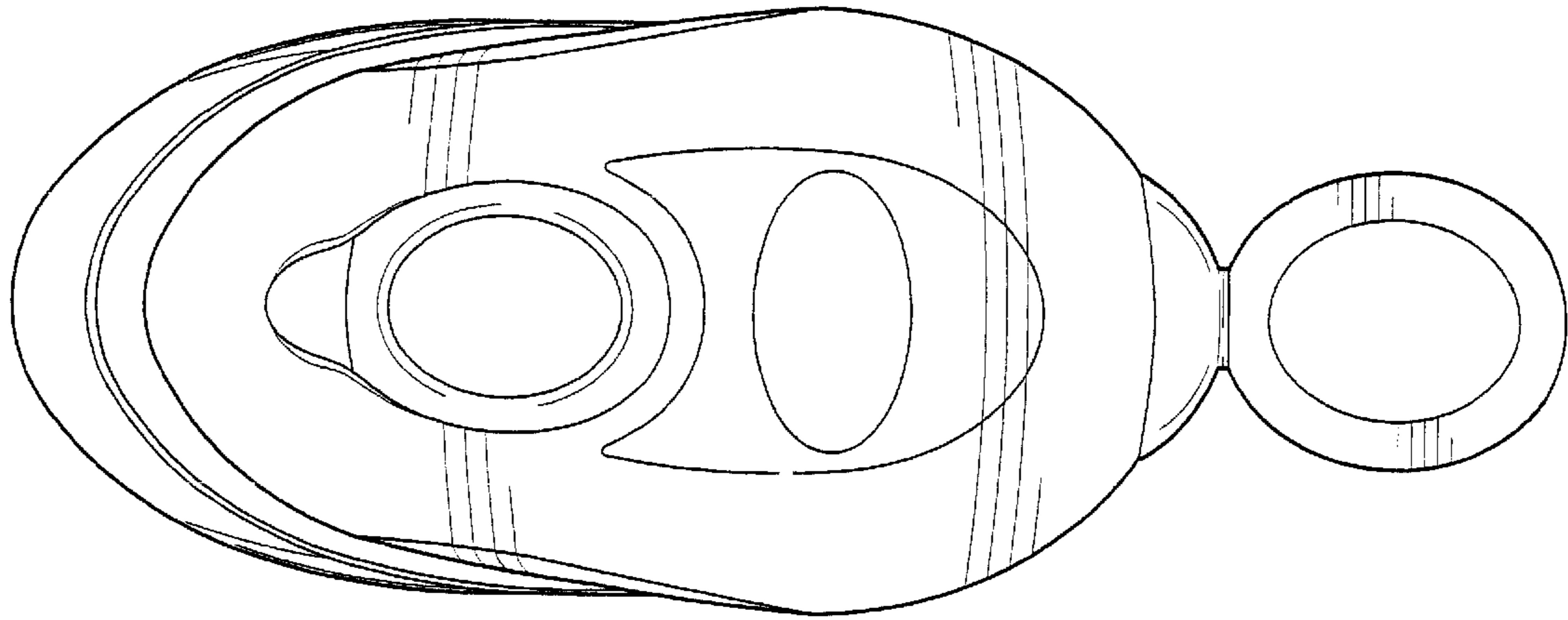


Fig-1

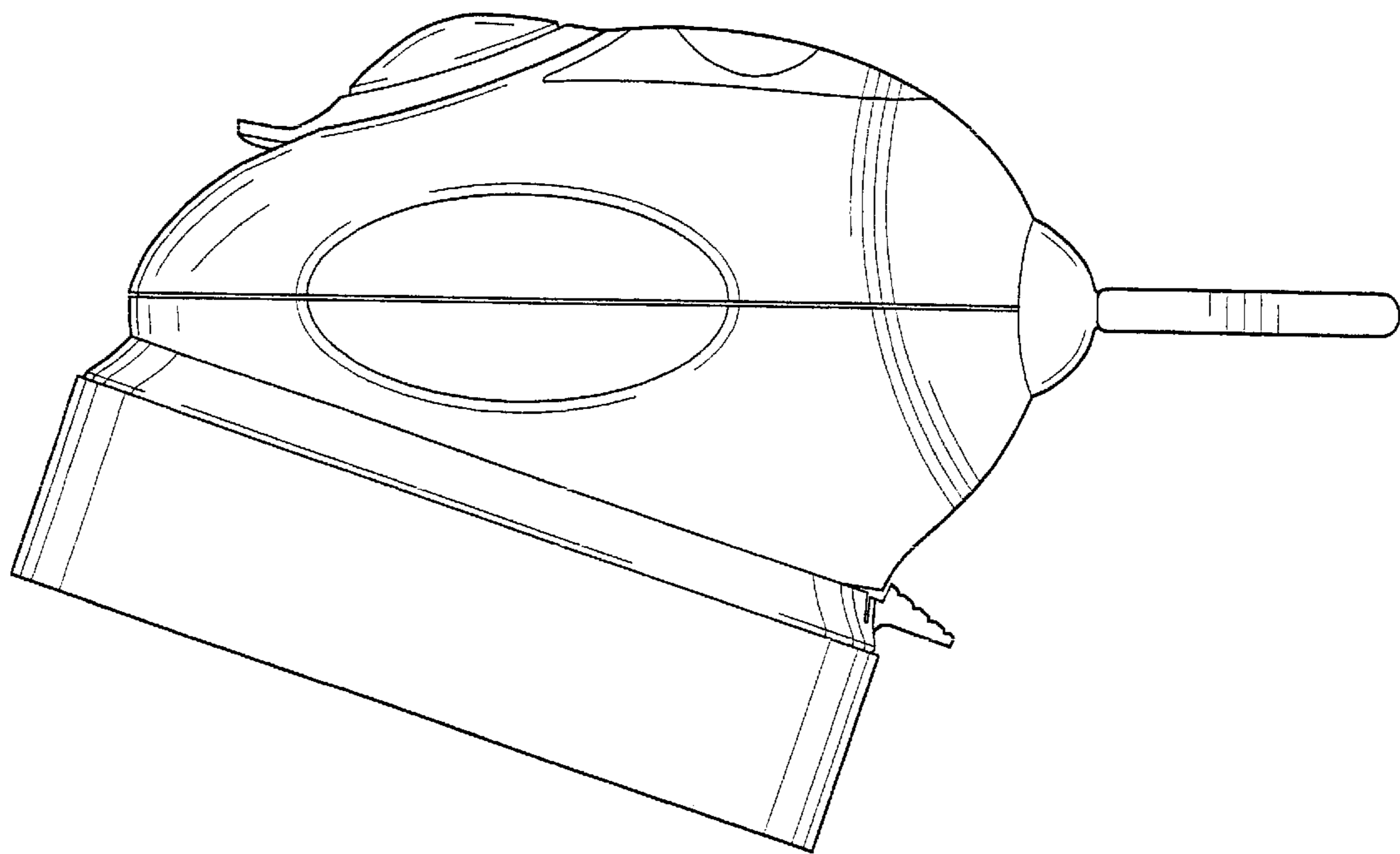


Fig-2