

US00D537587S

(12) **United States Design Patent**  
**Scheifele et al.**

(10) **Patent No.:** **US D537,587 S**

(45) **Date of Patent:** **\*\* Feb. 27, 2007**

(54) **FOOT PORTION FOR A FLOOR CARE APPLIANCE**

D440,721 S \* 4/2001 Hirokawa ..... D32/32  
D510,466 S \* 10/2005 Rosenzweig ..... D32/32  
D520,199 S \* 5/2006 Frederick et al. .... D32/32  
2005/0022338 A1 \* 2/2005 Muhlenkamp ..... 15/414

(75) Inventors: **Kevin E. Scheifele**, Tallmadge, OH (US); **Jeffrey T. DeBord**, Worthington, OH (US); **Jay F. Perkins**, Pickerington, OH (US); **Glenn Matusz**, Cuyahoga Falls, OH (US)

\* cited by examiner

(73) Assignee: **The Hoover Company**, North Canton, OH (US)

*Primary Examiner*—Ruth McInroy  
(74) *Attorney, Agent, or Firm*—A. Burgess Lowe, Esq.; Michael J. Corrigan, Esq.

(\*\*) Term: **14 Years**

(57) **CLAIM**

(21) Appl. No.: **29/237,489**

We claim the ornamental design for a foot portion of a floor care appliance, as shown and described.

(22) Filed: **Sep. 1, 2005**

**DESCRIPTION**

(51) **LOC (8) Cl.** ..... **15-05**

(52) **U.S. Cl.** ..... **D32/32**

(58) **Field of Classification Search** ..... D32/17, D32/31-33, 38-39; 15/321-322, 324, 325, 15/327.5, 329, 414, 415.1, 416, 418-422, 15/422.1, 354, 363, 366, 334, 338, 41.1; 362/91; 43/139; 134/113; D26/29, 34-35, D26/51, 139

FIG. 1 is a perspective view of a foot portion for a floor care appliance showing my new design;

FIG. 2 is a top view thereof;

FIG. 3 is a front side view thereof;

FIG. 4 is a right side view thereof; and,

FIG. 5 is a left side view thereof.

See application file for complete search history.

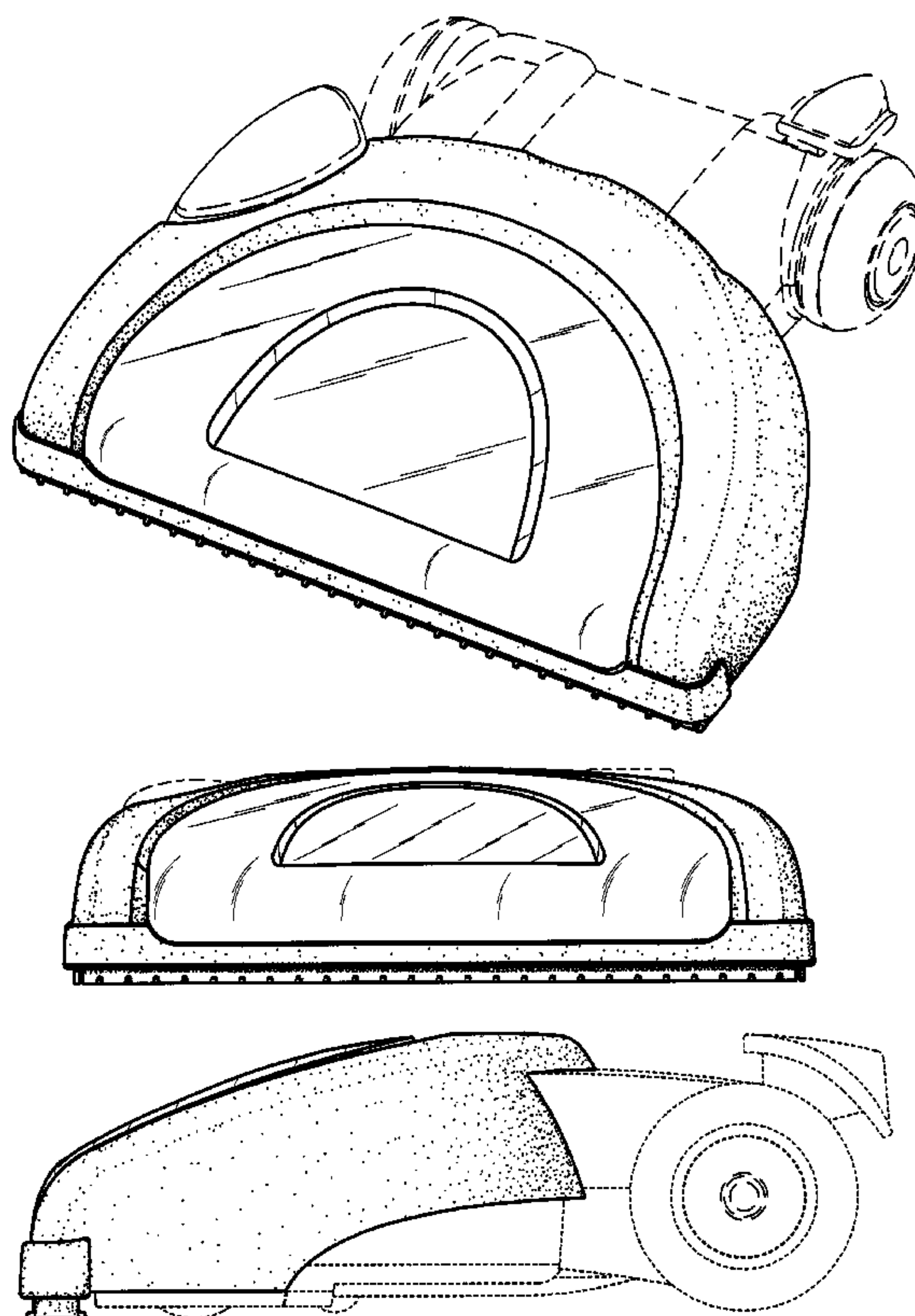
The details shown in broken lines form no part of the claimed design.

(56) **References Cited**

**U.S. PATENT DOCUMENTS**

D104,418 S \* 5/1937 Williams ..... D32/38

**1 Claim, 3 Drawing Sheets**



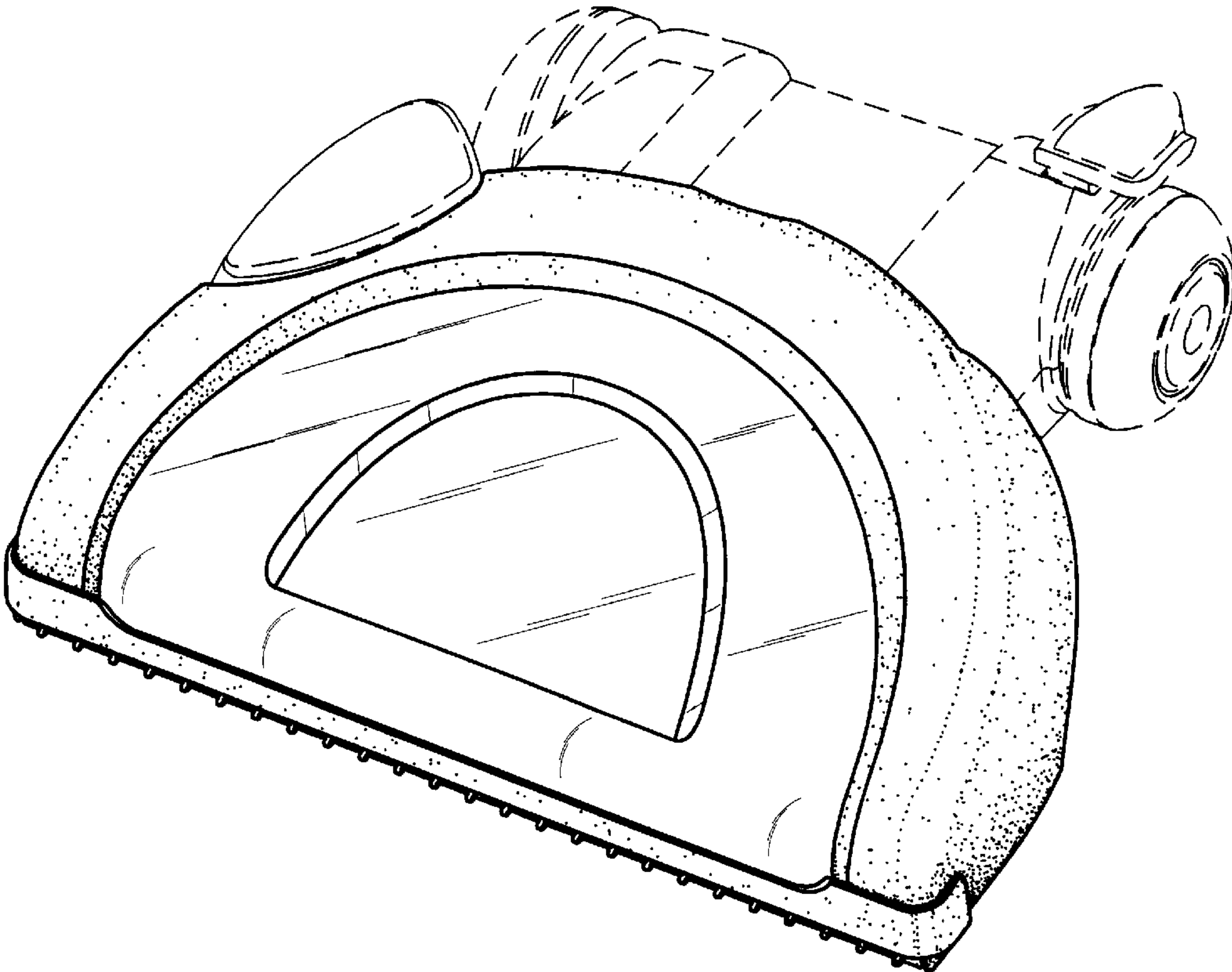


FIG-1

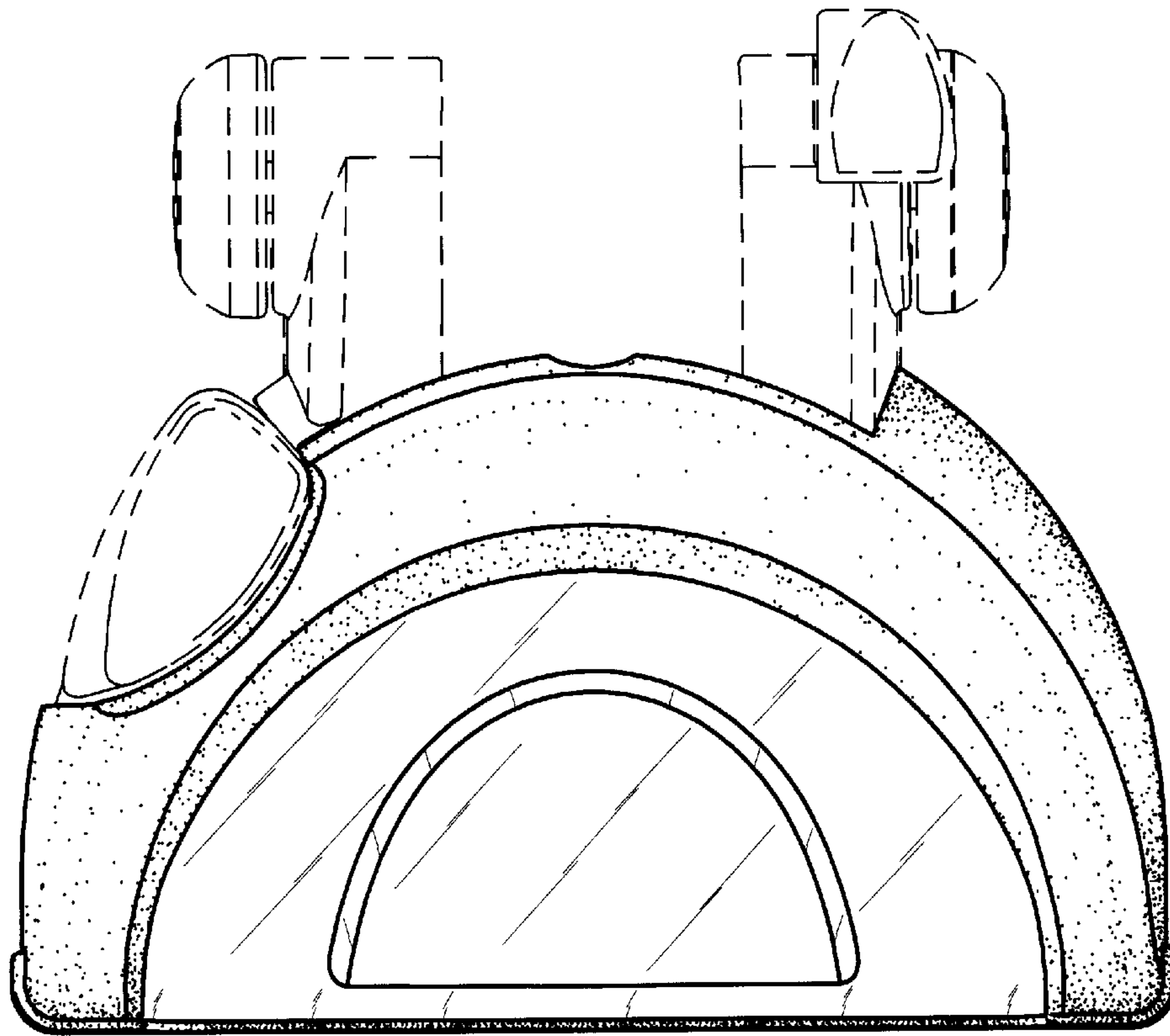


FIG-3

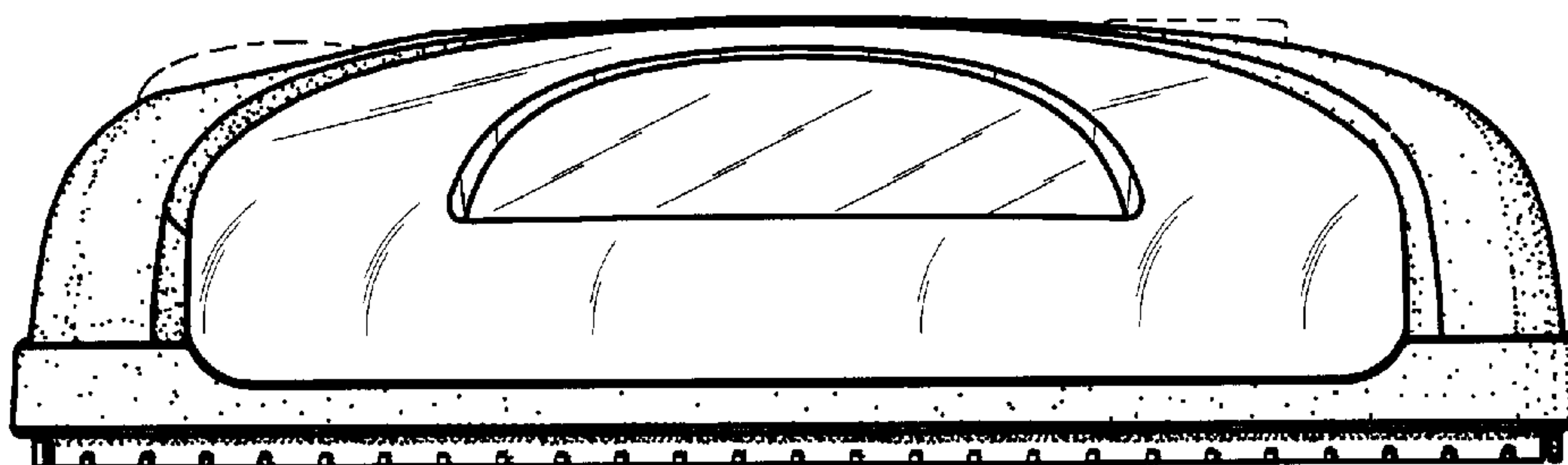


FIG-2

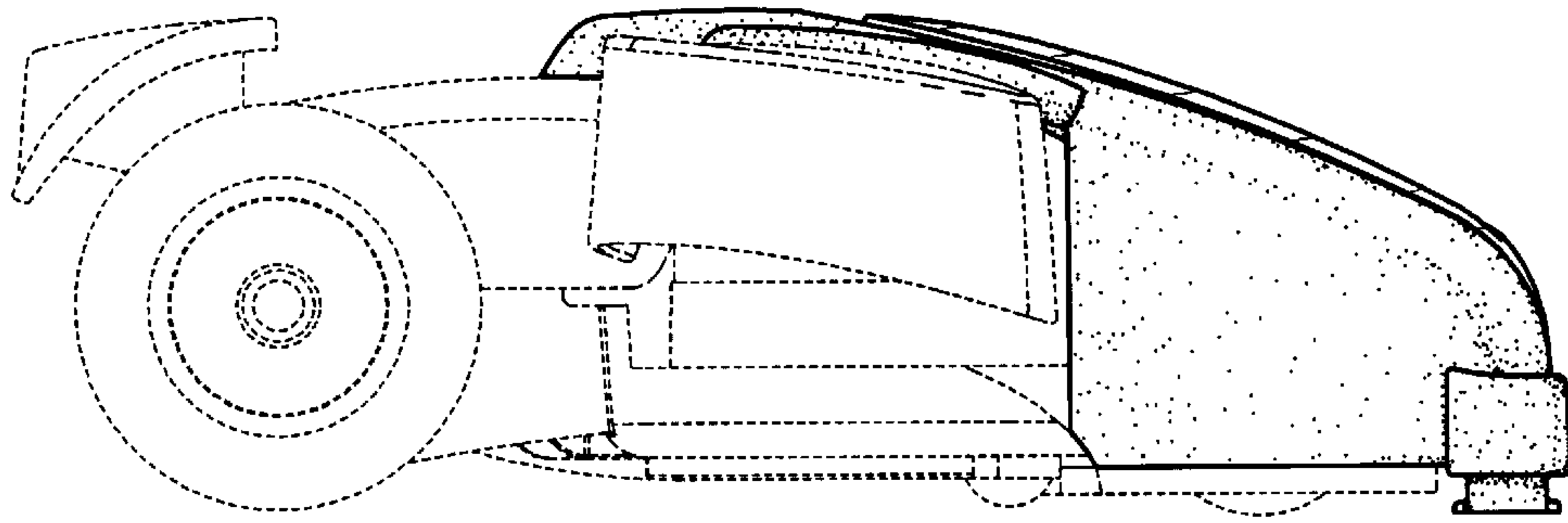


FIG-4

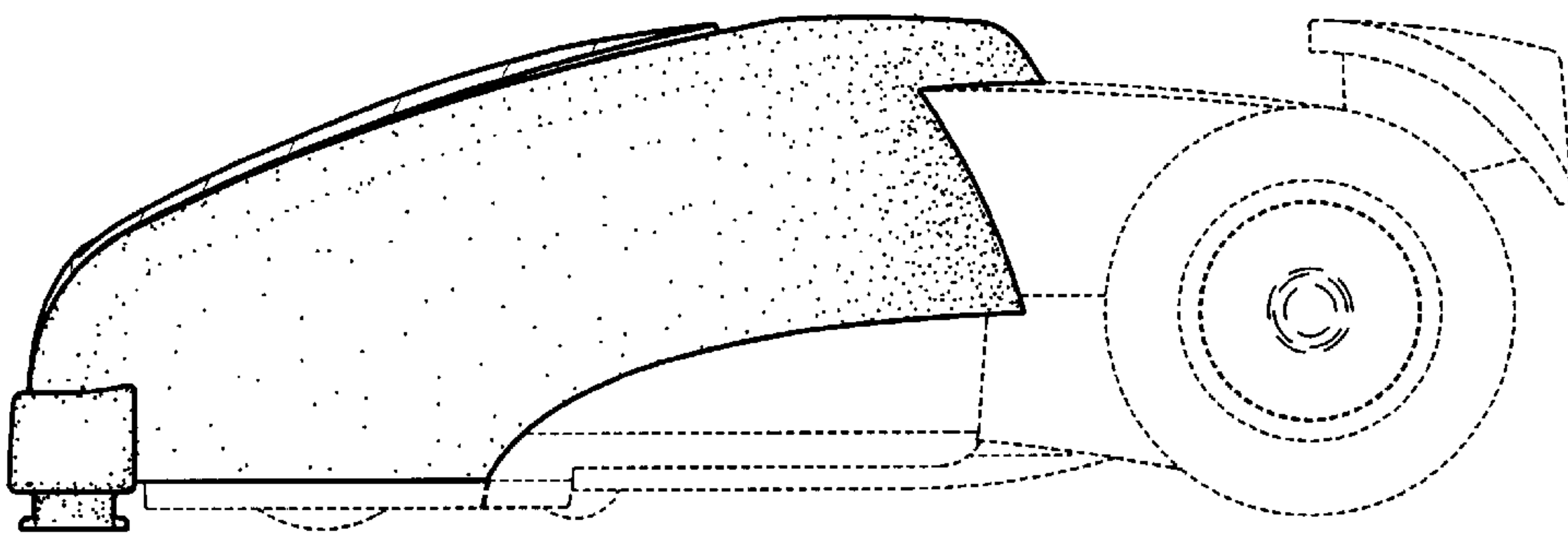


FIG-5