



US00D537585S

(12) **United States Design Patent**
Kim

(10) **Patent No.:** **US D537,585 S**

(45) **Date of Patent:** **** Feb. 27, 2007**

(54) **VACUUM CLEANER**

(75) **Inventor:** **Hyo Sung Kim, Seoul (KR)**

(73) **Assignee:** **LG Electronics Inc., Seoul (KR)**

(**) **Term:** **14 Years**

(21) **Appl. No.:** **29/238,257**

(22) **Filed:** **Sep. 14, 2005**

(30) **Foreign Application Priority Data**

Mar. 30, 2005 (KR) 30-2005-0010473

(51) **LOC (8) Cl.** **15-05**

(52) **U.S. Cl.** **D32/22**

(58) **Field of Classification Search** D32/22,
D32/31; 15/222, 320-322, 326, 329, 347,
15/350, 352-354, 361, 410, 412, 415.1; 55/337,
55/345, 459.1, 429, DIG. 3
See application file for complete search history.

(56) **References Cited**

U.S. PATENT DOCUMENTS

D456,961 S * 5/2002 Ng D32/22

D478,196 S * 8/2003 Kim et al. D32/22
D509,932 S * 9/2005 Shin D32/22
D516,760 S * 3/2006 Choi D32/22

* cited by examiner

Primary Examiner—Ruth McInroy

(74) *Attorney, Agent, or Firm*—Birch, Stewart, Kolasch & Birch, LLP

(57) **CLAIM**

I claim the ornamental design for vacuum cleaner, as shown and described.

DESCRIPTION

FIG. 1 is a perspective view of vacuum cleaner showing the new design:

FIG. 2 is a front elevation view thereof;

FIG. 3 is a rear elevation view thereof;

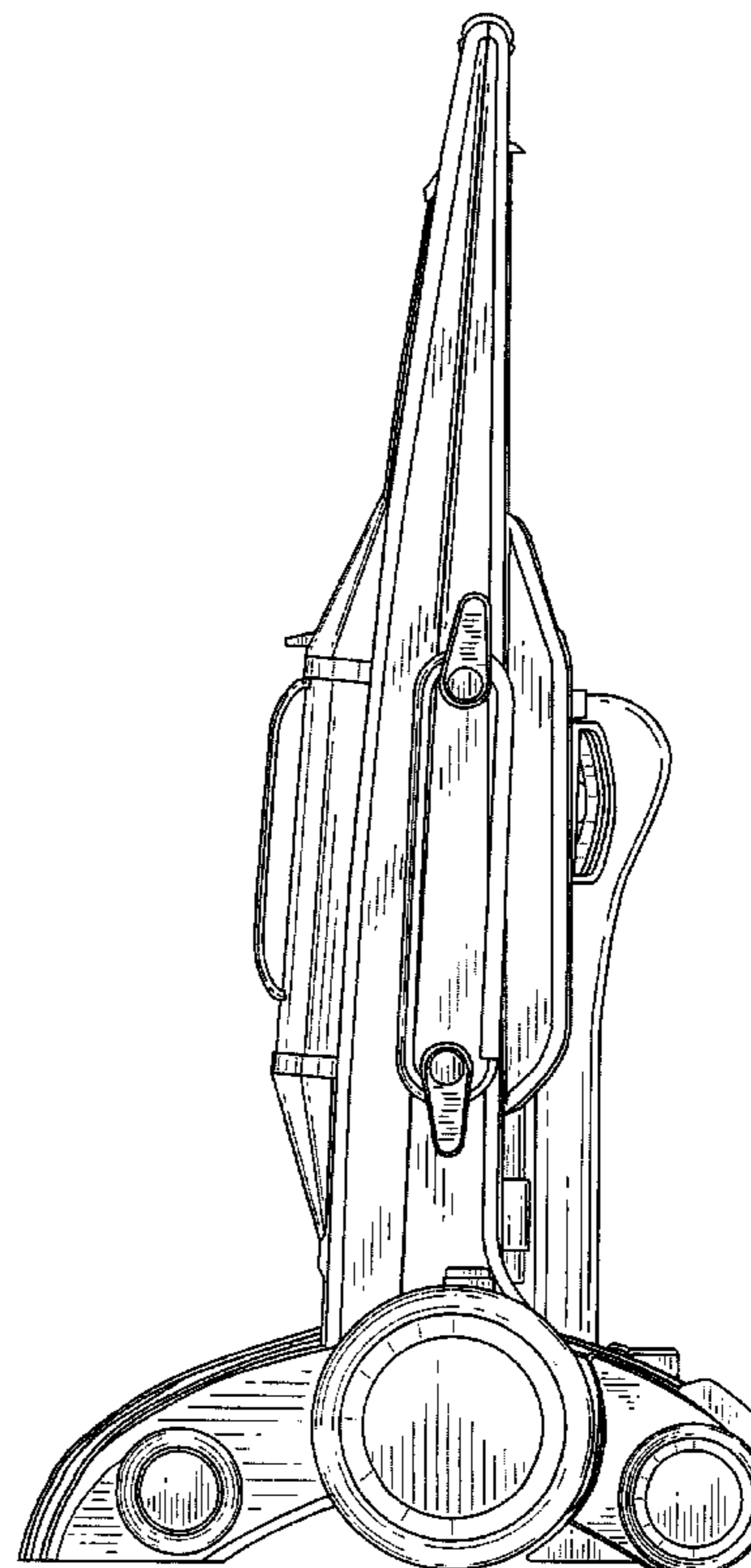
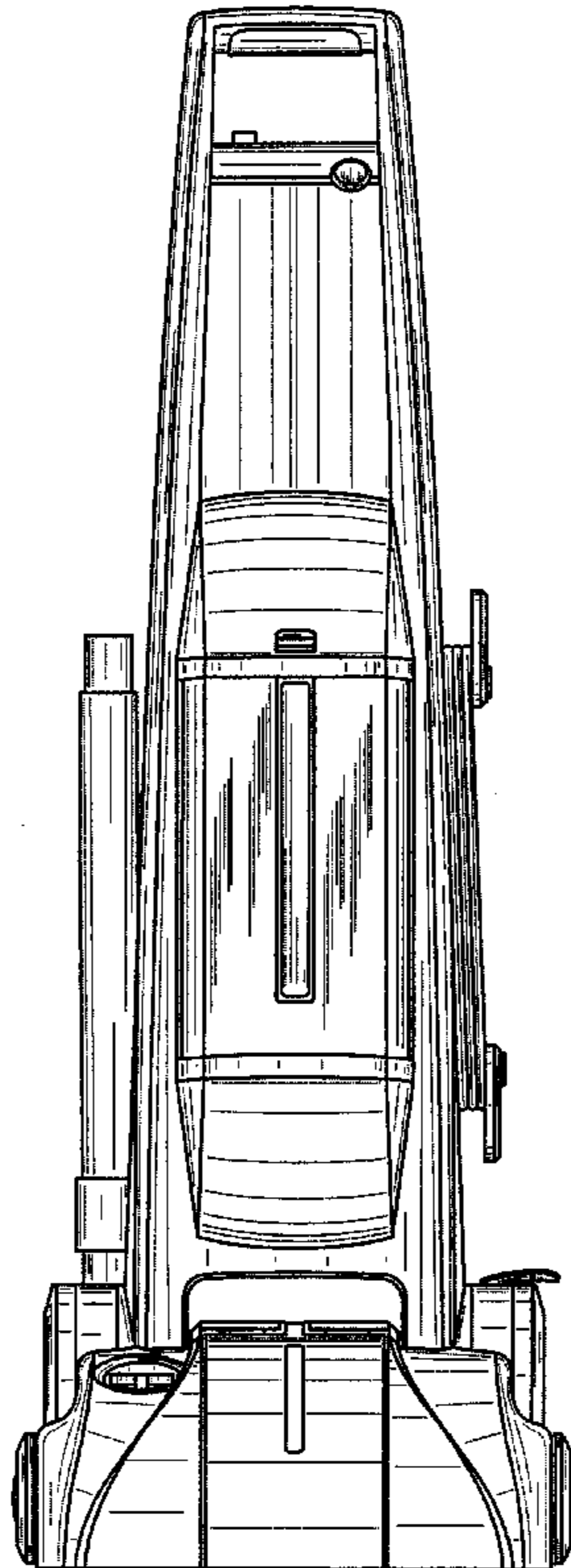
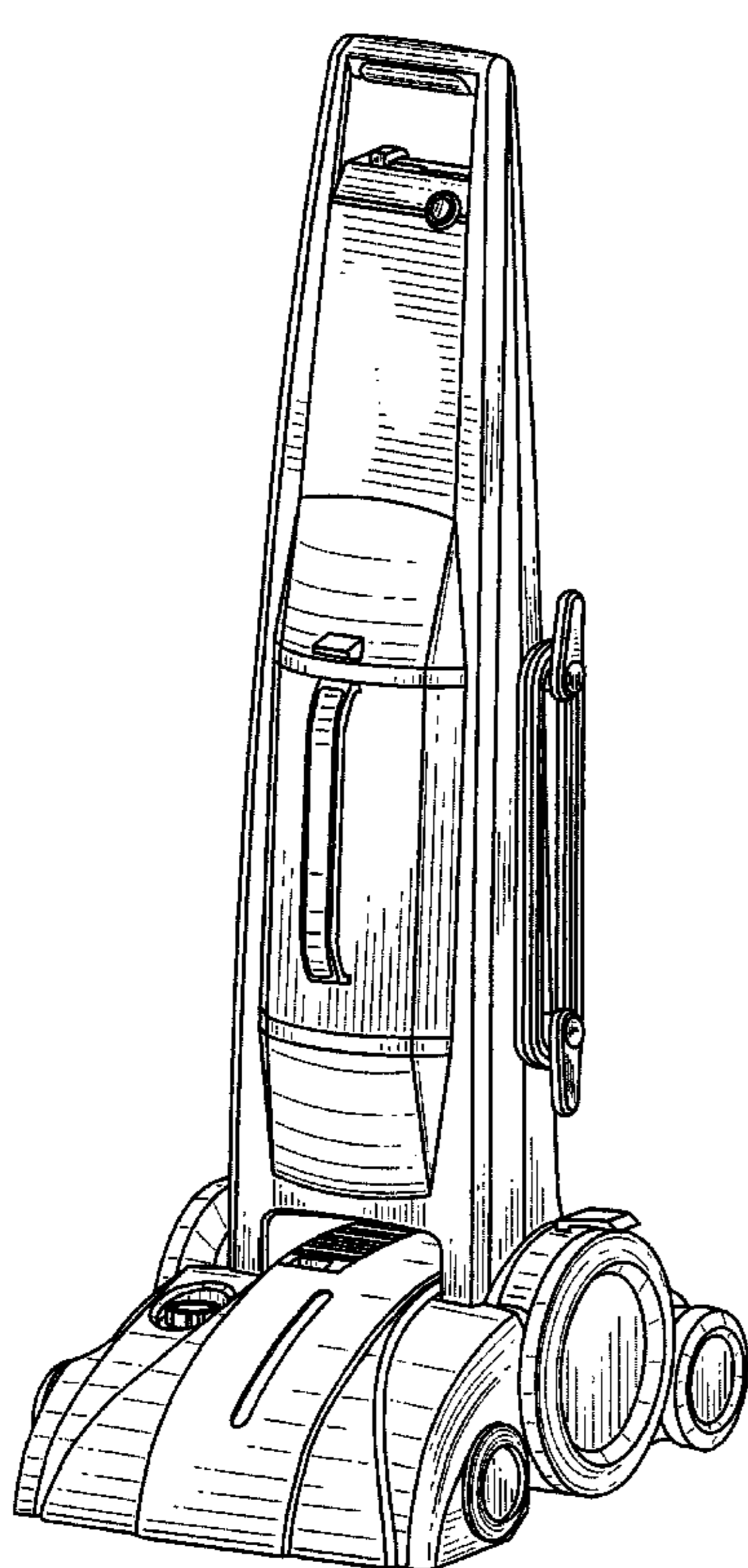
FIG. 4 is a left-side elevation view thereof;

FIG. 5 is a right-side elevation view thereof;

FIG. 6 is a top plan view thereof; and,

FIG. 7 is a bottom plan view thereof.

1 Claim, 5 Drawing Sheets



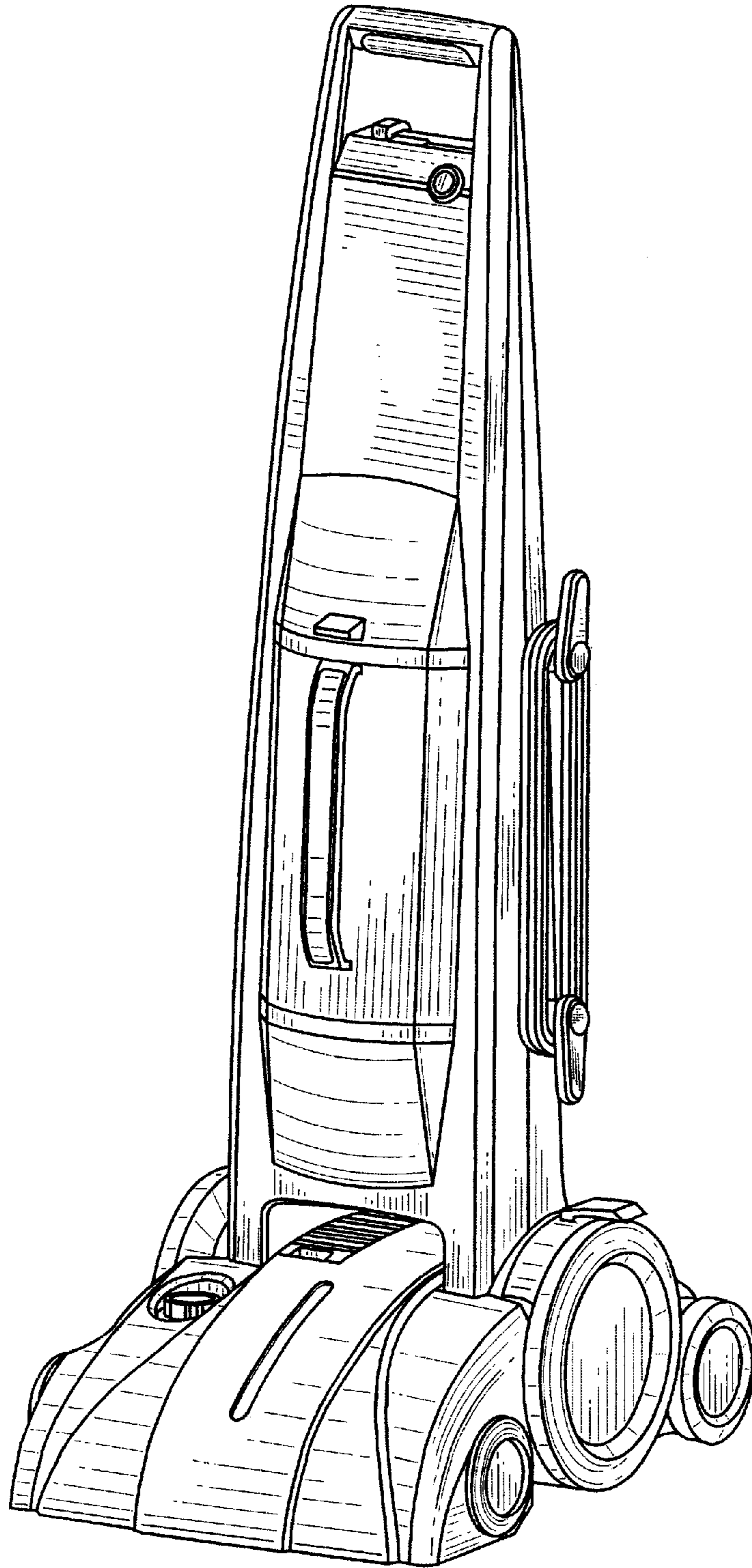


FIG. 1

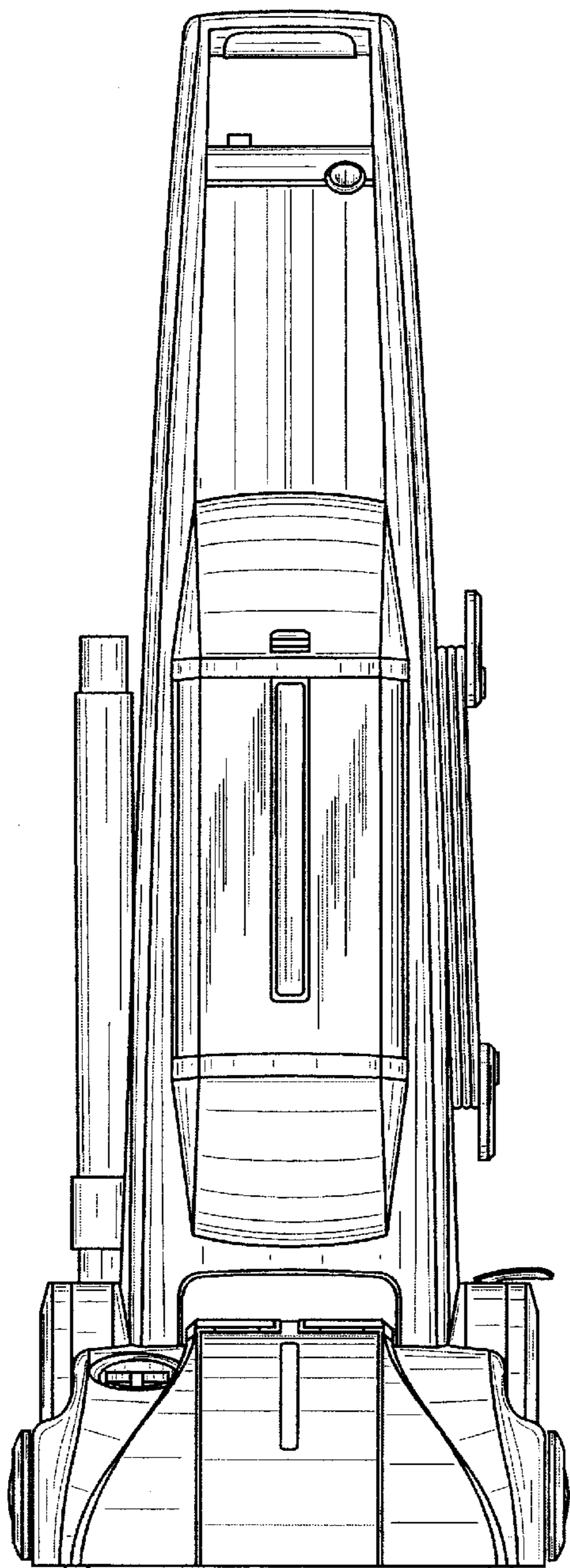


FIG. 2

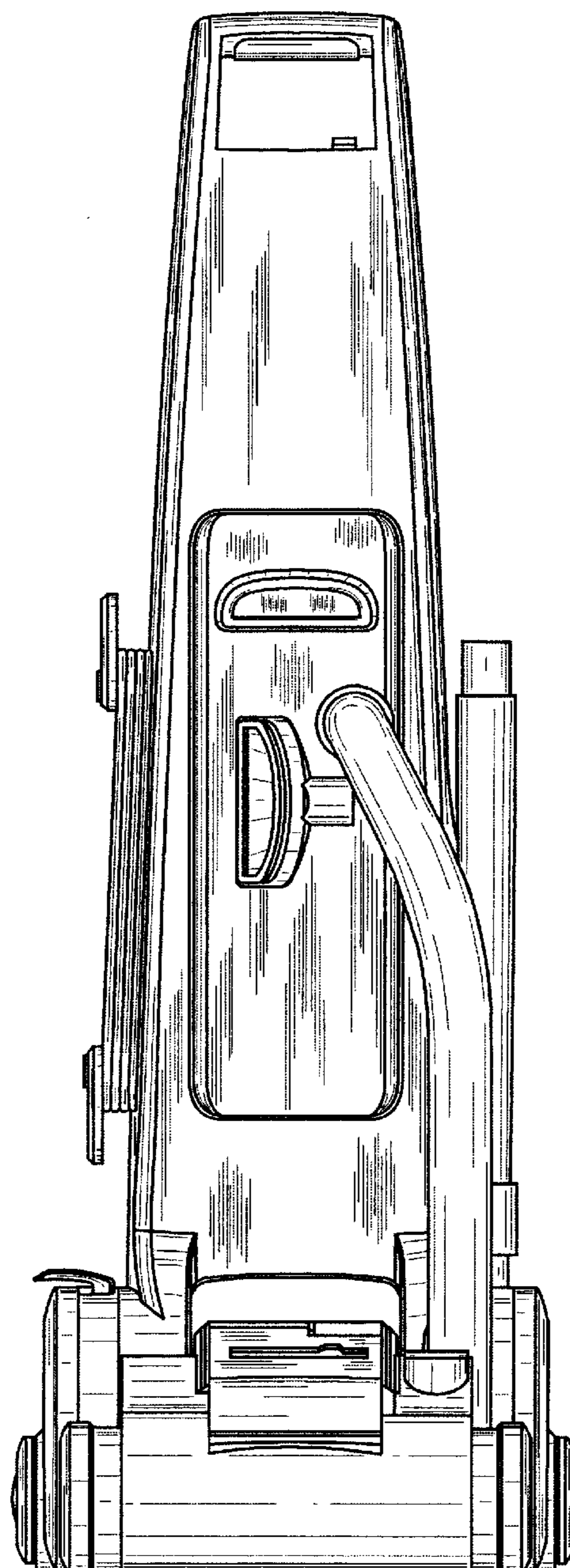


FIG. 3

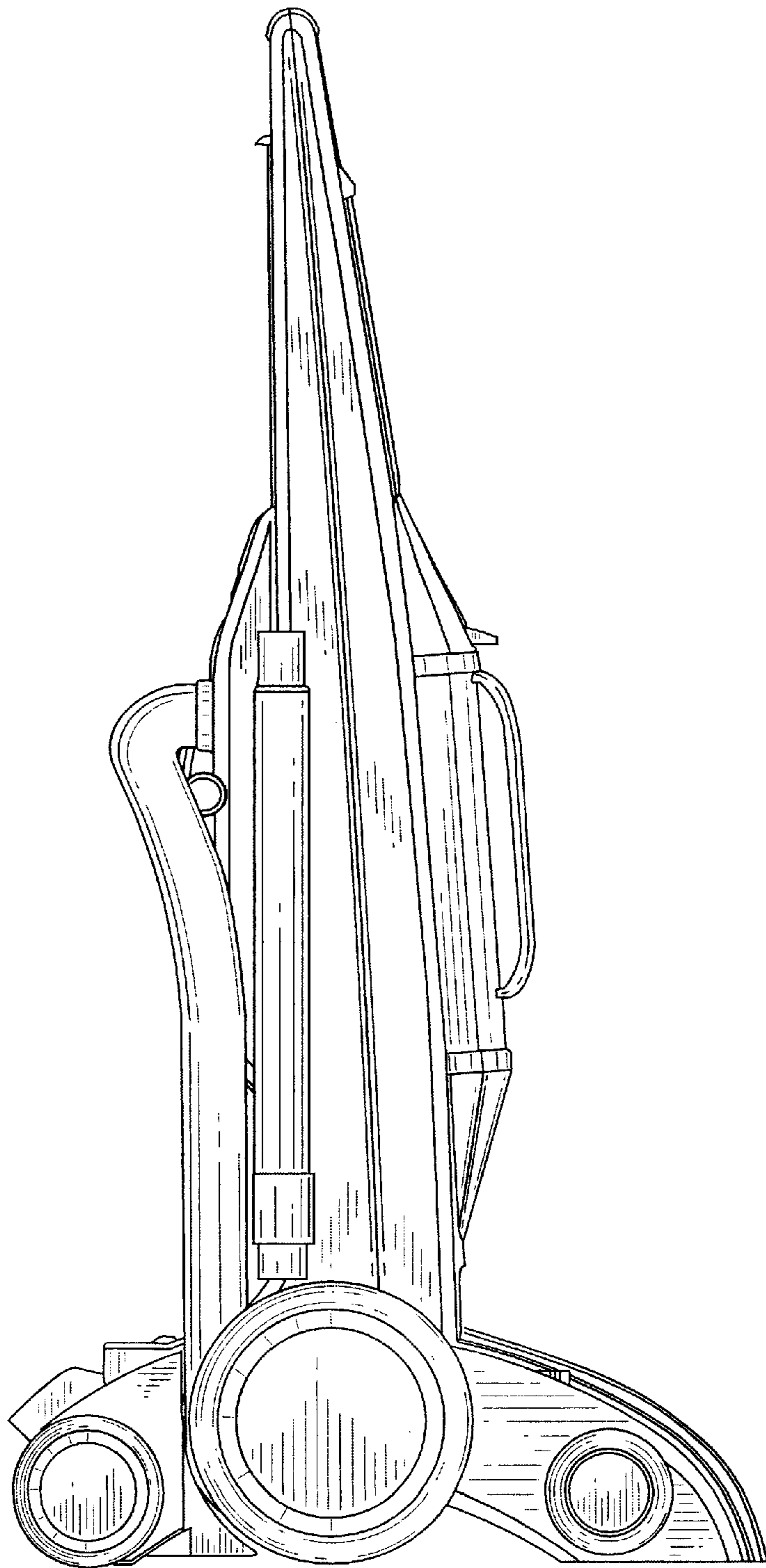


FIG. 4

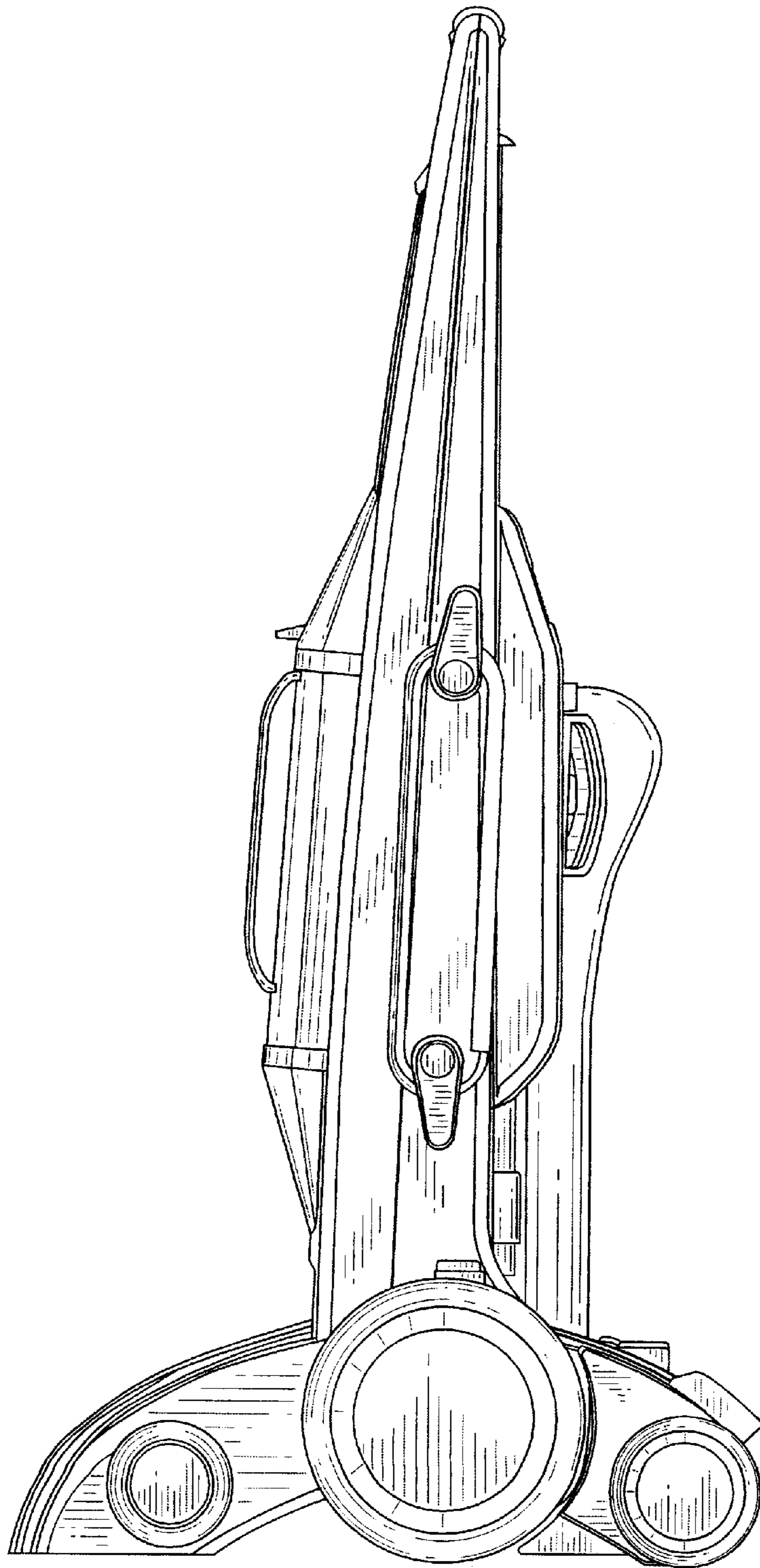


FIG. 5

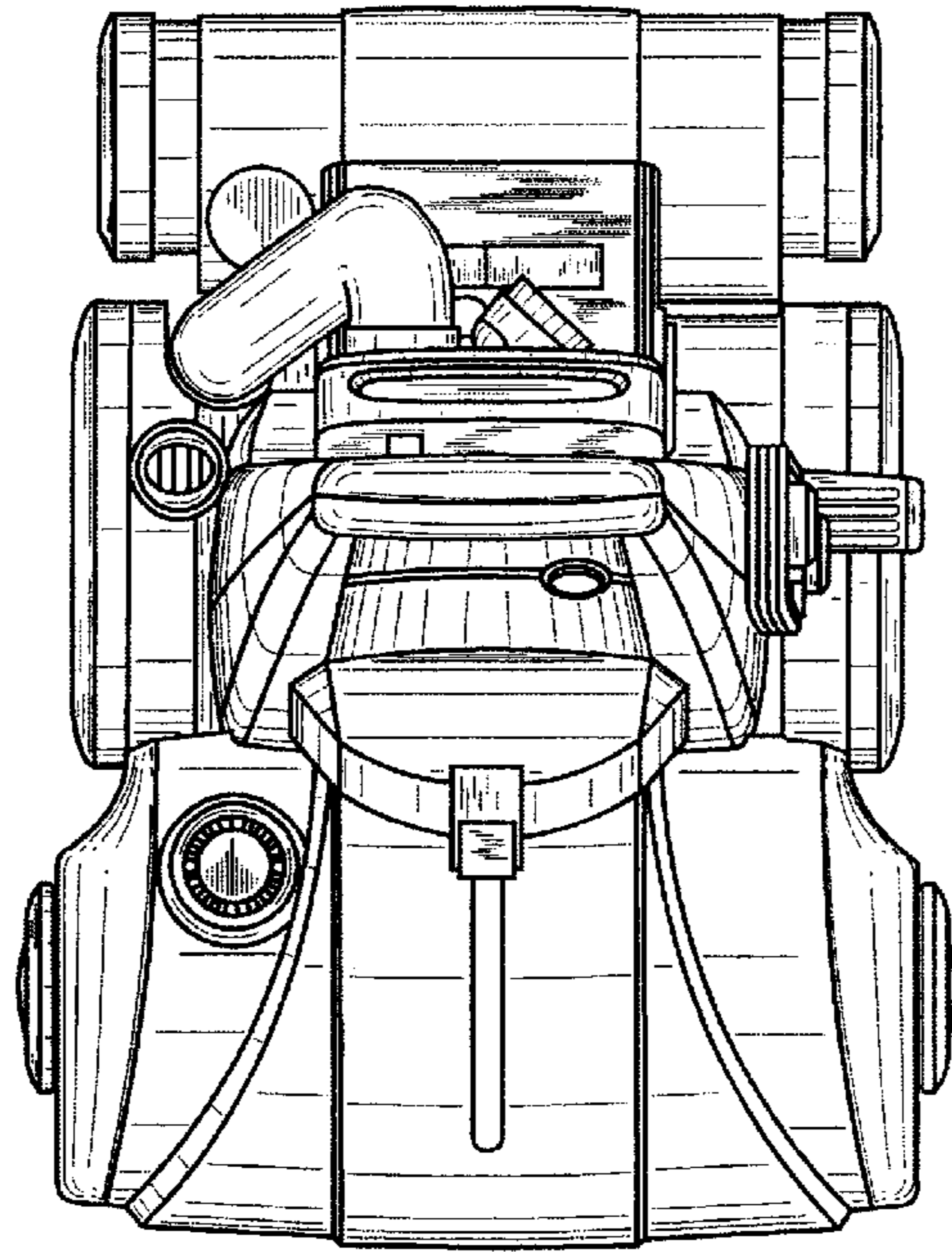


FIG. 6

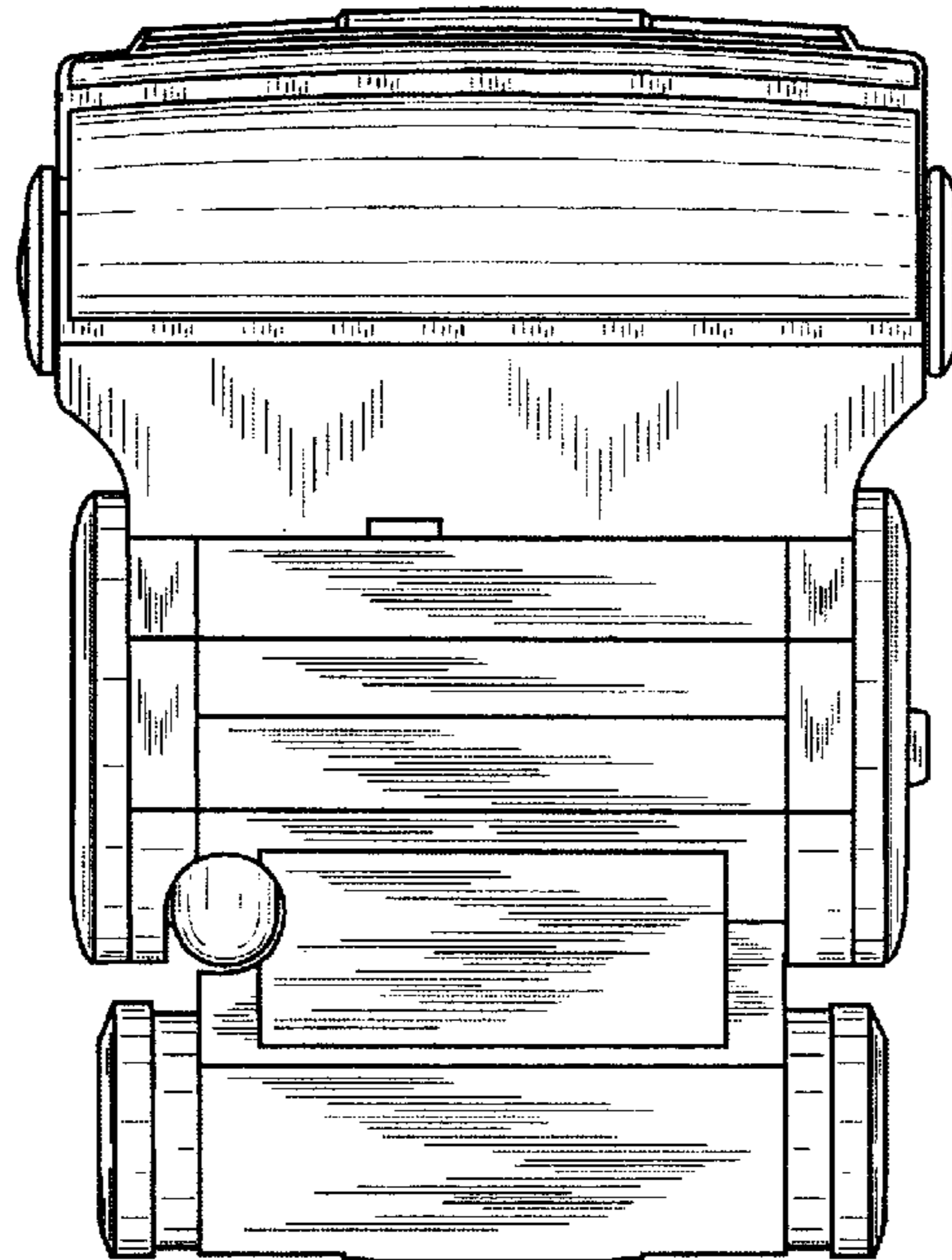


FIG. 7