



US00D537583S

(12) **United States Design Patent**
Crevling, Jr. et al.

(10) **Patent No.: US D537,583 S**

(45) **Date of Patent: ** Feb. 27, 2007**

(54) **BACKPACK CLEANER**

(75) Inventors: **Robert L. Crevling, Jr.**, Williamsport, PA (US); **John Griffin**, Phoenix, AZ (US); **Craig A. Seasholtz**, Avis, PA (US)

(73) Assignee: **Shop Vac Corporation**, Williamsport, PA (US)

(**) Term: **14 Years**

(21) Appl. No.: **29/237,199**

(22) Filed: **Aug. 25, 2005**

(51) **LOC (8) Cl. 15-05**

(52) **U.S. Cl. D32/21**

(58) **Field of Classification Search** D32/15-18, D32/21, 22-24, 31; 15/314, 324, 344, 329, 15/347, 320-321, 412, DIG. 1, 353-354, 15/301, 385, 93.1, 405, 330, 415.1, 327.5, 15/323

See application file for complete search history.

(56) **References Cited**

U.S. PATENT DOCUMENTS

D202,768 S	*	11/1965	Davis et al.	D32/21
D204,232 S	*	4/1966	Nelson	D32/21
D204,366 S	*	4/1966	Nelson	D32/21
D204,367 S	*	4/1966	McGuire	D32/21
D219,835 S	*	2/1971	Otto et al.	D32/21
4,325,162 A	*	4/1982	Chambers et al.	15/327.5
4,570,286 A		2/1986	Ross	
4,673,424 A		6/1987	Range	
D315,234 S	*	3/1991	Frisell	D32/21
5,011,058 A		4/1991	Sapp et al.	
5,052,073 A		10/1991	Iida	
D326,747 S	*	6/1992	Stickle	D32/21
5,195,208 A		3/1993	Yamami et al.	
5,195,209 A		3/1993	Watkins	

5,267,371 A	*	12/1993	Soler et al.	15/327.5
5,588,177 A	*	12/1996	Eriksen	15/327.5
D398,426 S	*	9/1998	Bisson	D32/21
5,813,088 A		9/1998	Wagner et al.	
5,836,046 A		11/1998	Huffman et al.	
6,049,941 A		4/2000	Vollenweider, II	
6,125,503 A		10/2000	Callahan	
6,131,239 A		10/2000	White	
6,151,749 A	*	11/2000	Berfield	15/327.5
RE37,081 E		3/2001	Eriksen	
D446,365 S	*	8/2001	Bisson	D32/21
6,305,048 B1		10/2001	Salisian	
6,370,729 B2		4/2002	Miyamoto	
6,393,656 B1		5/2002	Paterson et al.	
D459,039 S	*	6/2002	Bisson	D32/21
6,553,610 B1	*	4/2003	Shideler	15/327.5
6,568,026 B2	*	5/2003	Roy et al.	15/327.5
D482,166 S	*	11/2003	Paterson et al.	D32/21
6,647,586 B2		11/2003	Rogers et al.	

* cited by examiner

Primary Examiner—Ruth McInroy

(74) *Attorney, Agent, or Firm*—Marshall, Gerstein & Borun LLP

(57) **CLAIM**

The ornamental design for a backpack cleaner, as shown.

DESCRIPTION

FIG. 1 is a front perspective view of a backpack cleaner showing our new design; FIG. 2 is a front elevational view thereof; FIG. 3 is a rear elevational view thereof; FIG. 4 is a left-side elevational view thereof; FIG. 5 is a right-side elevational view thereof; FIG. 6 is a top plan view thereof; and, FIG. 7 is a bottom plan view thereof. The broken lines are for illustrative purposes only and form no part of the claimed design.

1 Claim, 7 Drawing Sheets

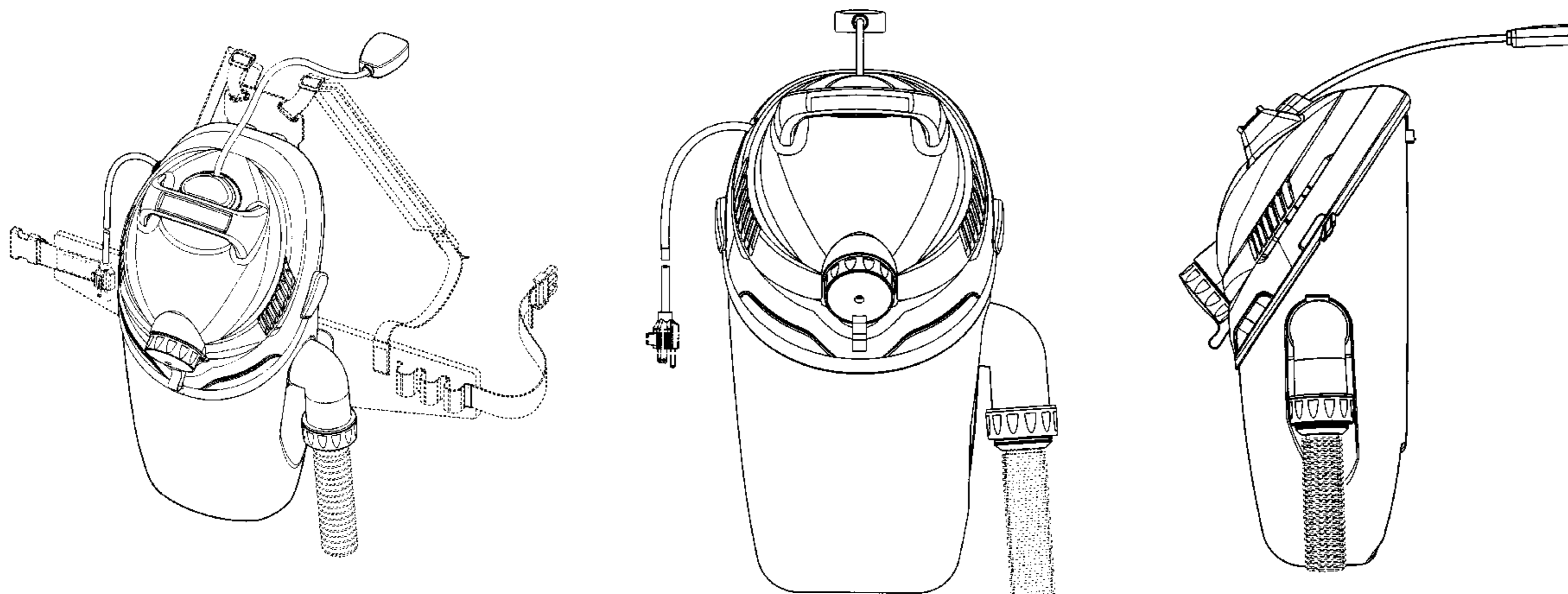


FIG. 1

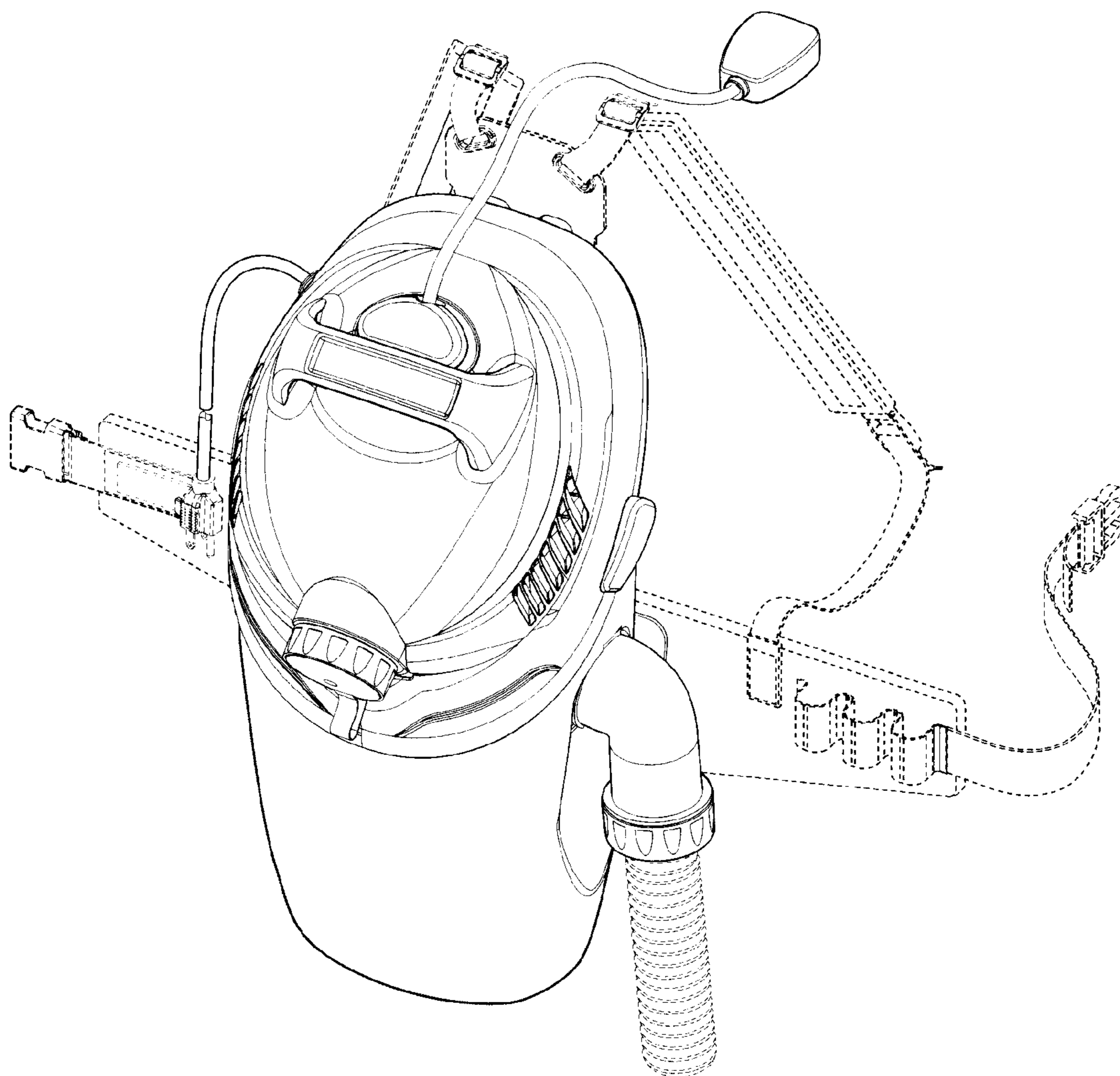


FIG. 2

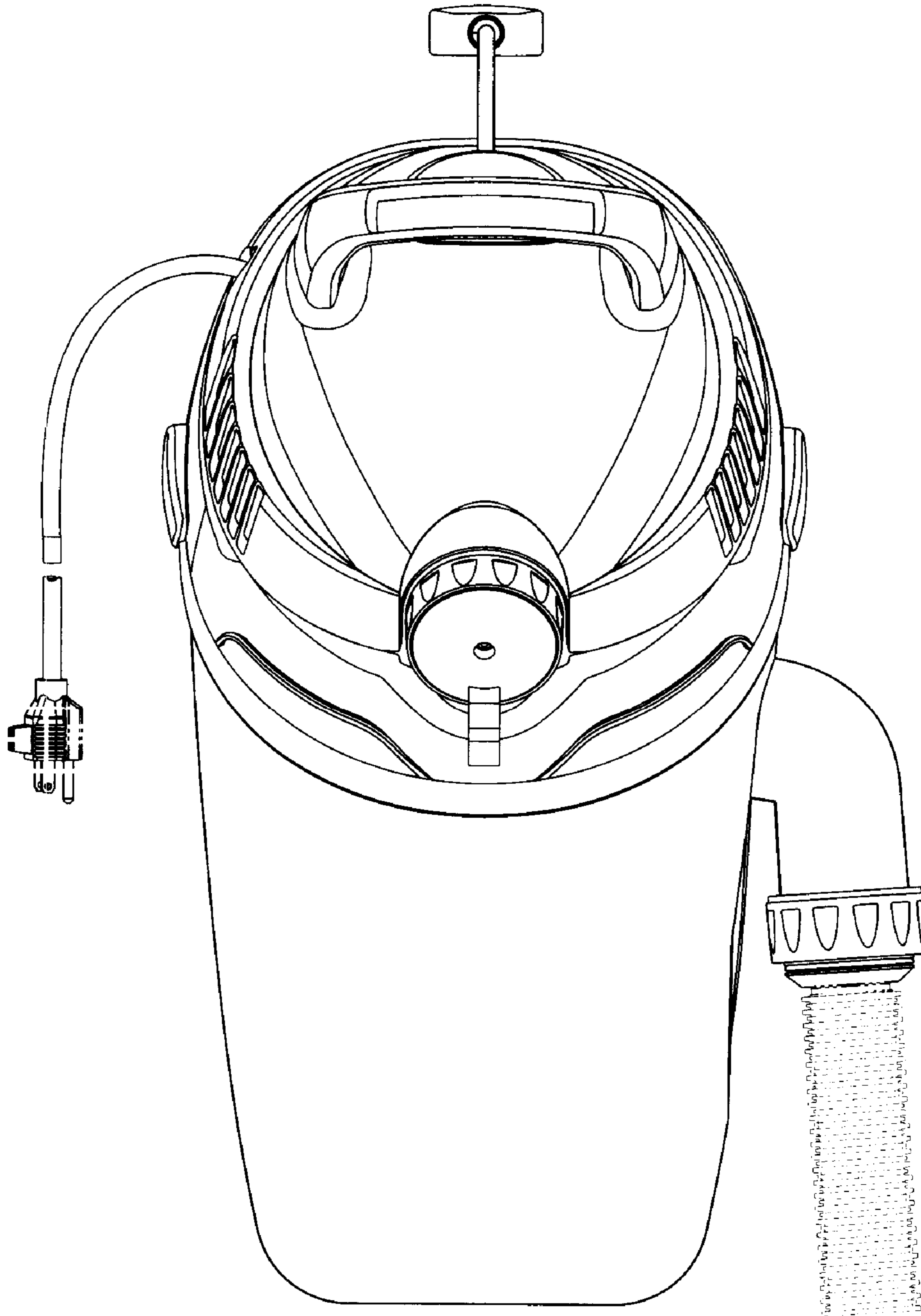


FIG. 3

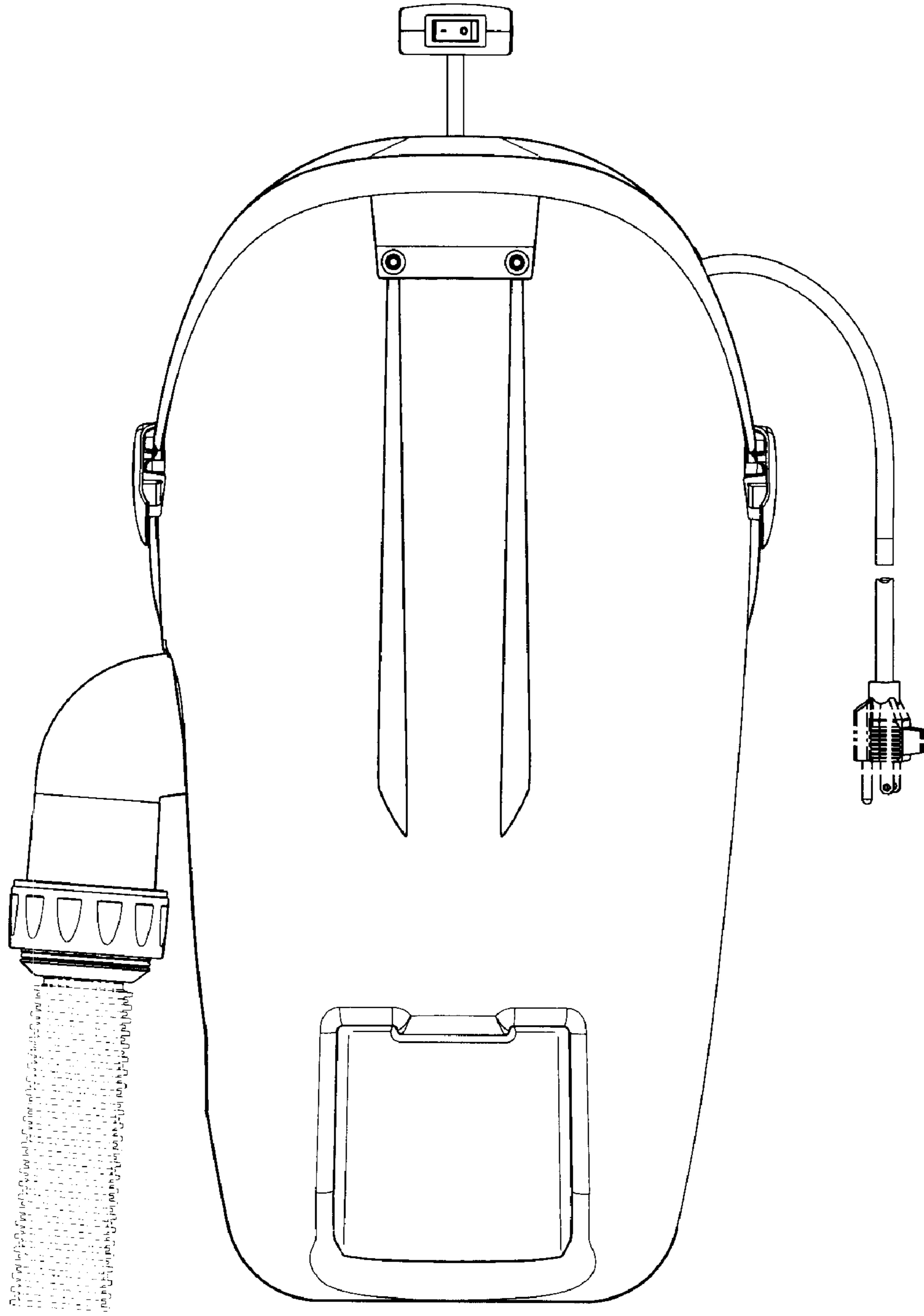


FIG. 4

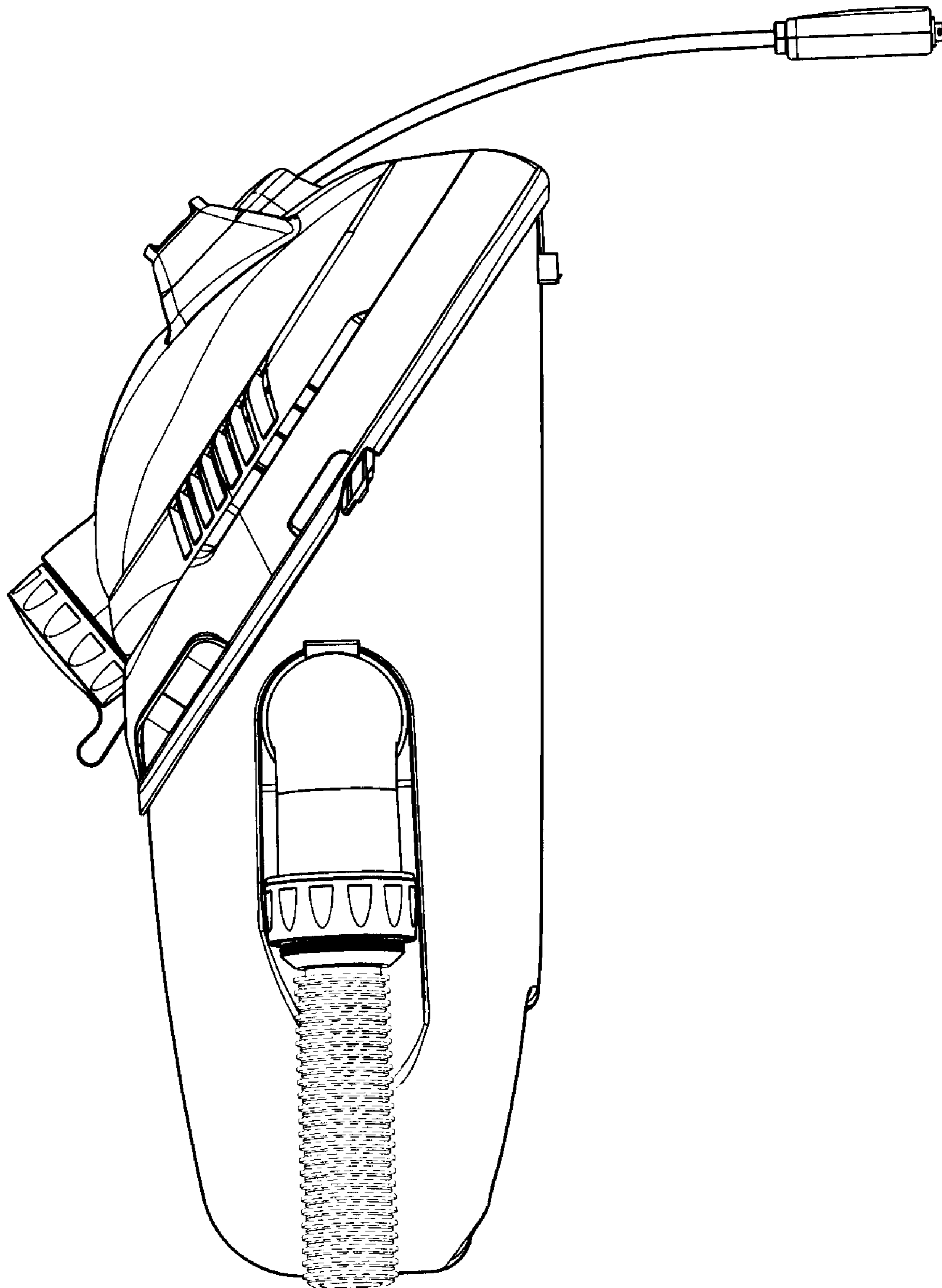


FIG. 5

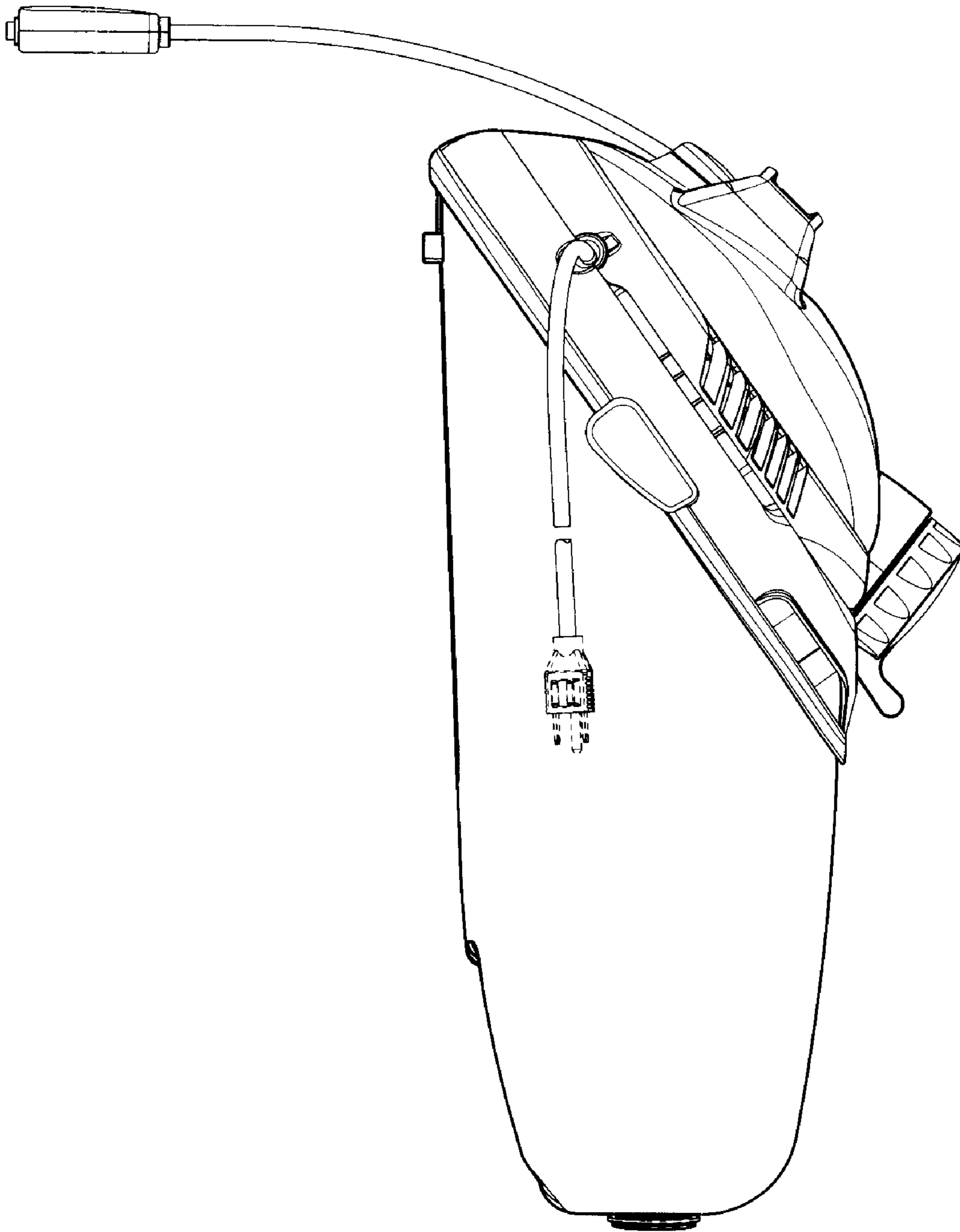


FIG. 6

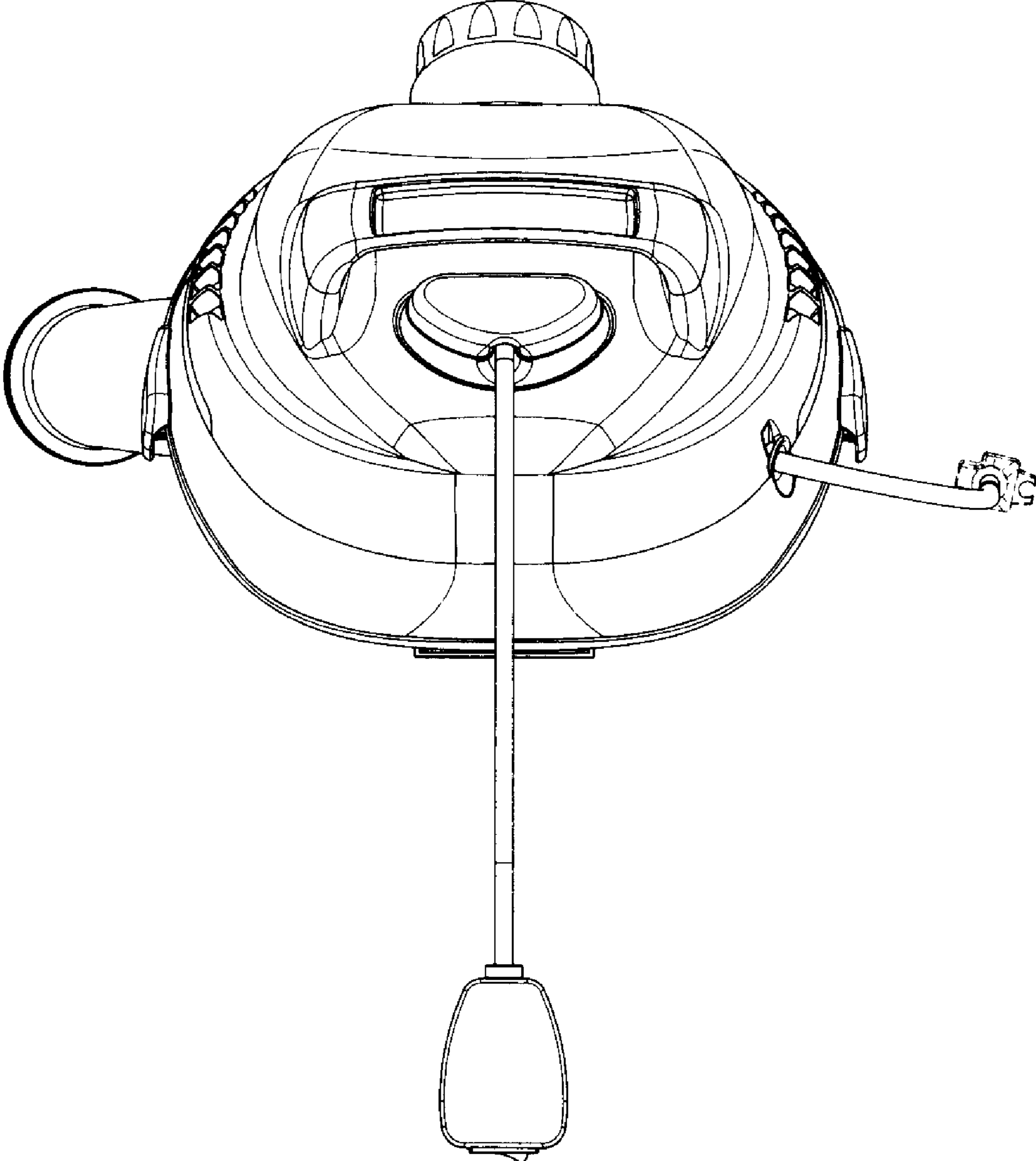


FIG. 7

