



US00D537581S

(12) **United States Design Patent**
Zimmerle et al.

(10) **Patent No.:** **US D537,581 S**

(45) **Date of Patent:** **** Feb. 27, 2007**

(54) **PORTABLE VACUUM**

(75) Inventors: **Johnny W. Zimmerle**, St. Joseph, MI (US); **Wyatt A. Cline**, Niles, MI (US); **Jose Velarde-Chan**, Kalamazoo, MI (US); **Jeffrey M. Browne**, Benton Harbor, MI (US); **Leah Z. Lader**, St. Joseph, MI (US)

(73) Assignee: **Whirlpool Corporation**, Benton Harbor, MI (US)

(**) Term: **14 Years**

(21) Appl. No.: **29/234,798**

(22) Filed: **Jul. 22, 2005**

(51) **LOC (8) Cl.** **15-05**

(52) **U.S. Cl.** **D32/21**

(58) **Field of Classification Search** D32/1, D32/4, 15, 17-18, 21, 23-24, 31, 34; 15/301, 15/314-315, 319, 320-322, 340.1, 321, 323, 15/327.1, 327.6, 327.7, 335, 344-345, 347, 15/353, 355, 388, 410-412, 414, 415.1, 429; D23/225; 68/222; 134/18; 700/245; 701/23
See application file for complete search history.

(56) **References Cited**

U.S. PATENT DOCUMENTS

D280,034 S * 8/1985 Pudwill D32/24

D304,251 S * 10/1989 Purkapile D32/21
D352,146 S * 11/1994 Wulff D32/24
D386,842 S * 11/1997 Hoshino et al. D32/21
5,784,753 A * 7/1998 Kaczmarz et al. 15/319
D467,693 S * 12/2002 Kitts D32/21
D496,764 S * 9/2004 Lopano D32/21
D528,256 S * 9/2006 Beth et al. D32/21

* cited by examiner

Primary Examiner—Ruth McInroy

(74) *Attorney, Agent, or Firm*—Stephen Krefman; Robert O. Rice; John F. Colligan

(57) **CLAIM**

The ornamental design for a portable vacuum, as shown and described.

DESCRIPTION

FIG. 1 is a front perspective view of a portable vacuum showing our new design;

FIG. 2 is a front elevational view thereof;

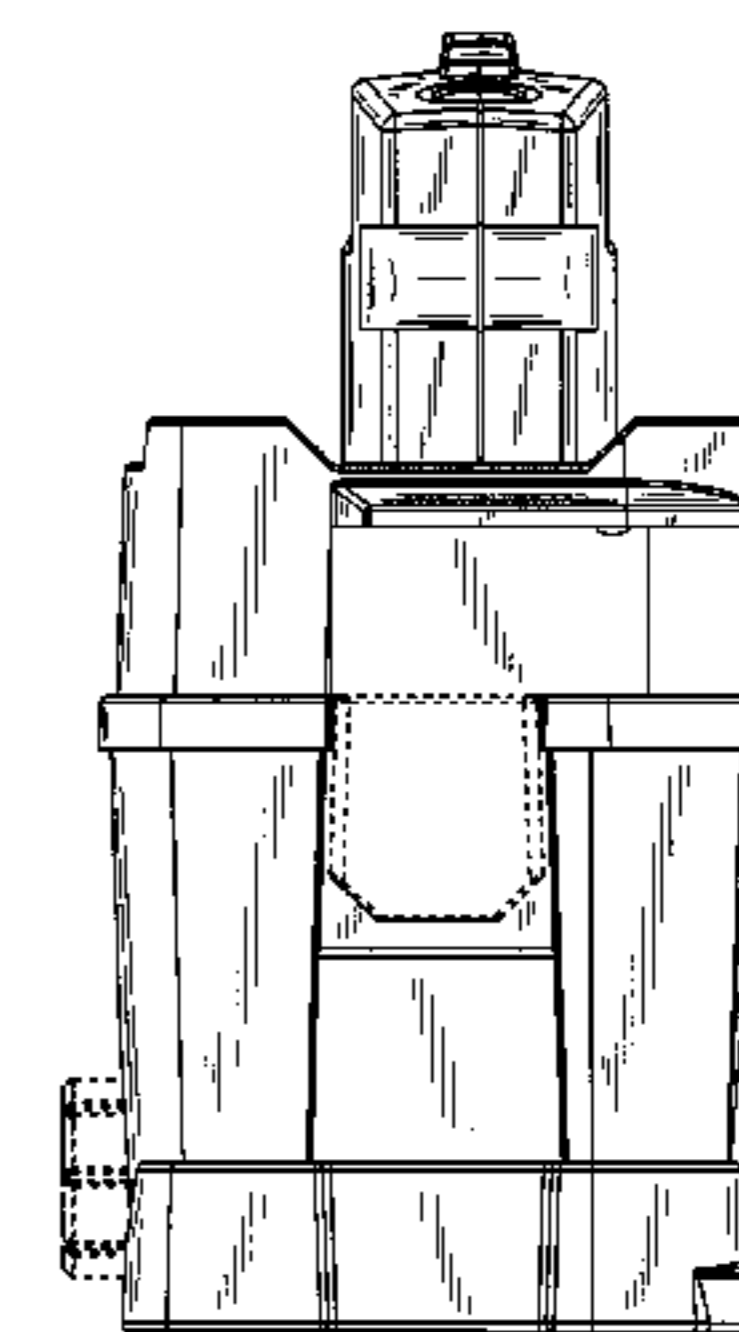
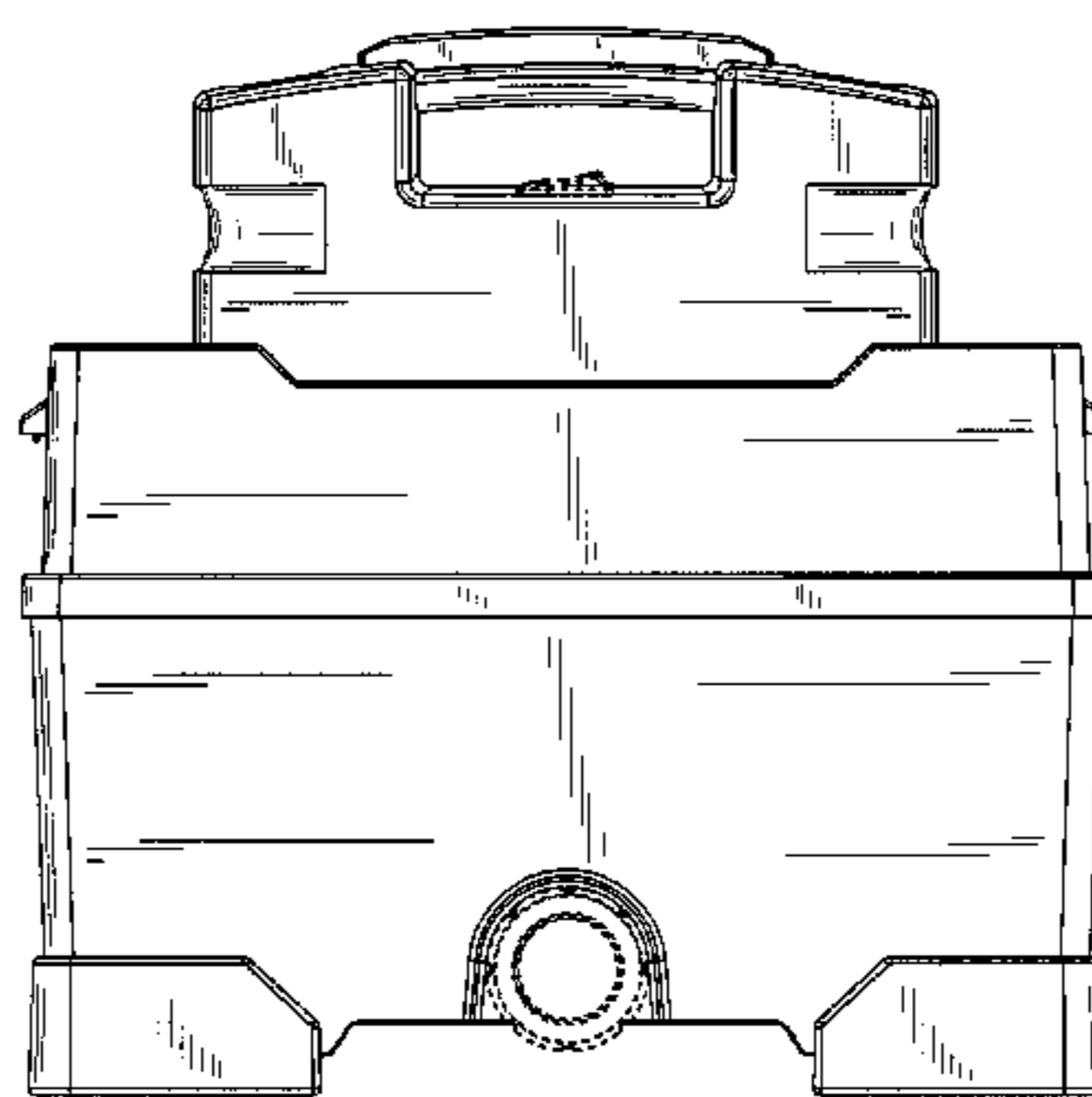
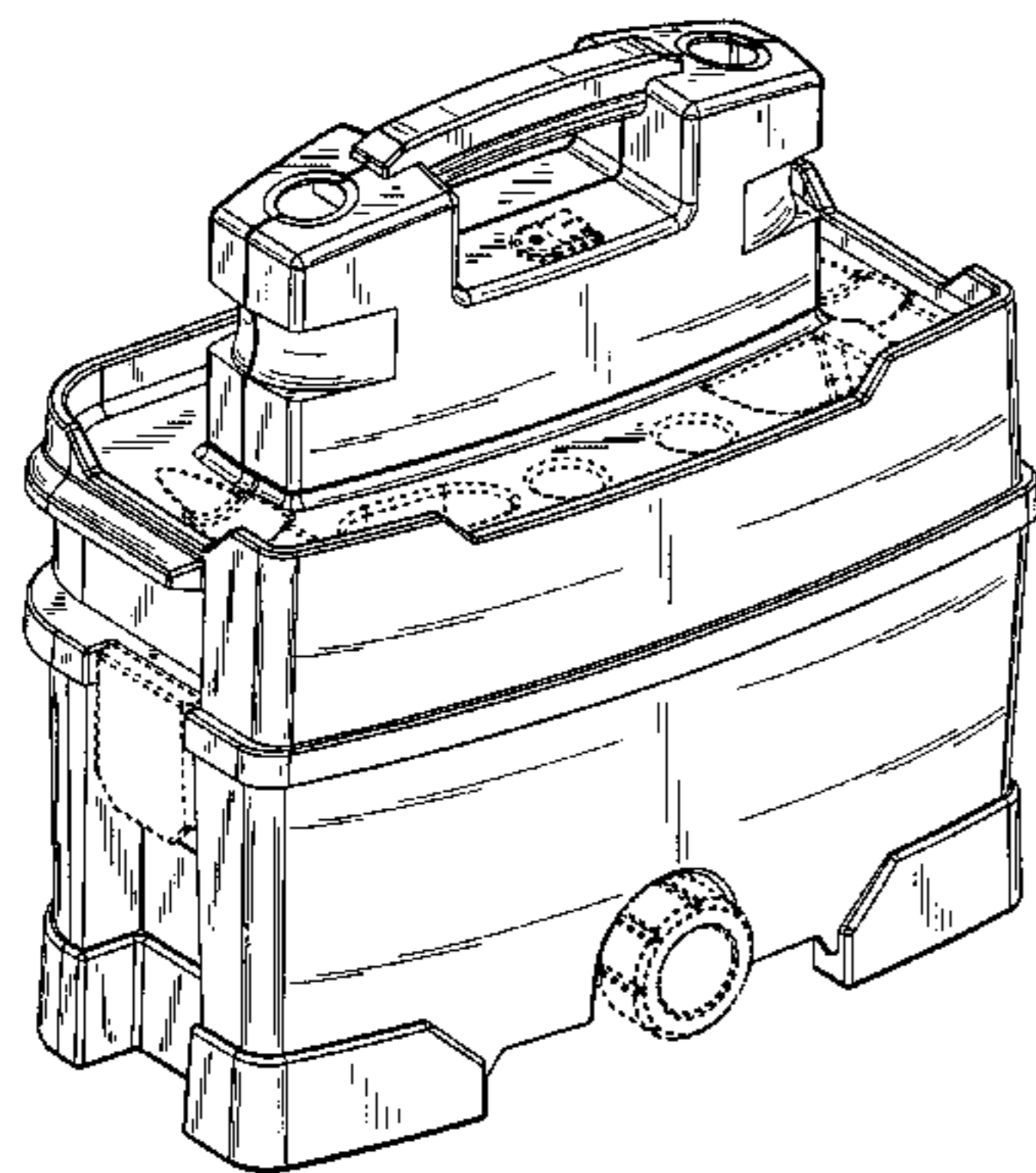
FIG. 3 is a left side elevational view thereof;

FIG. 4 is a right side elevational view thereof; and,

FIG. 5 is a top plan view thereof.

The broken lines are for illustrative purposes only and form no part of the design claimed.

1 Claim, 4 Drawing Sheets



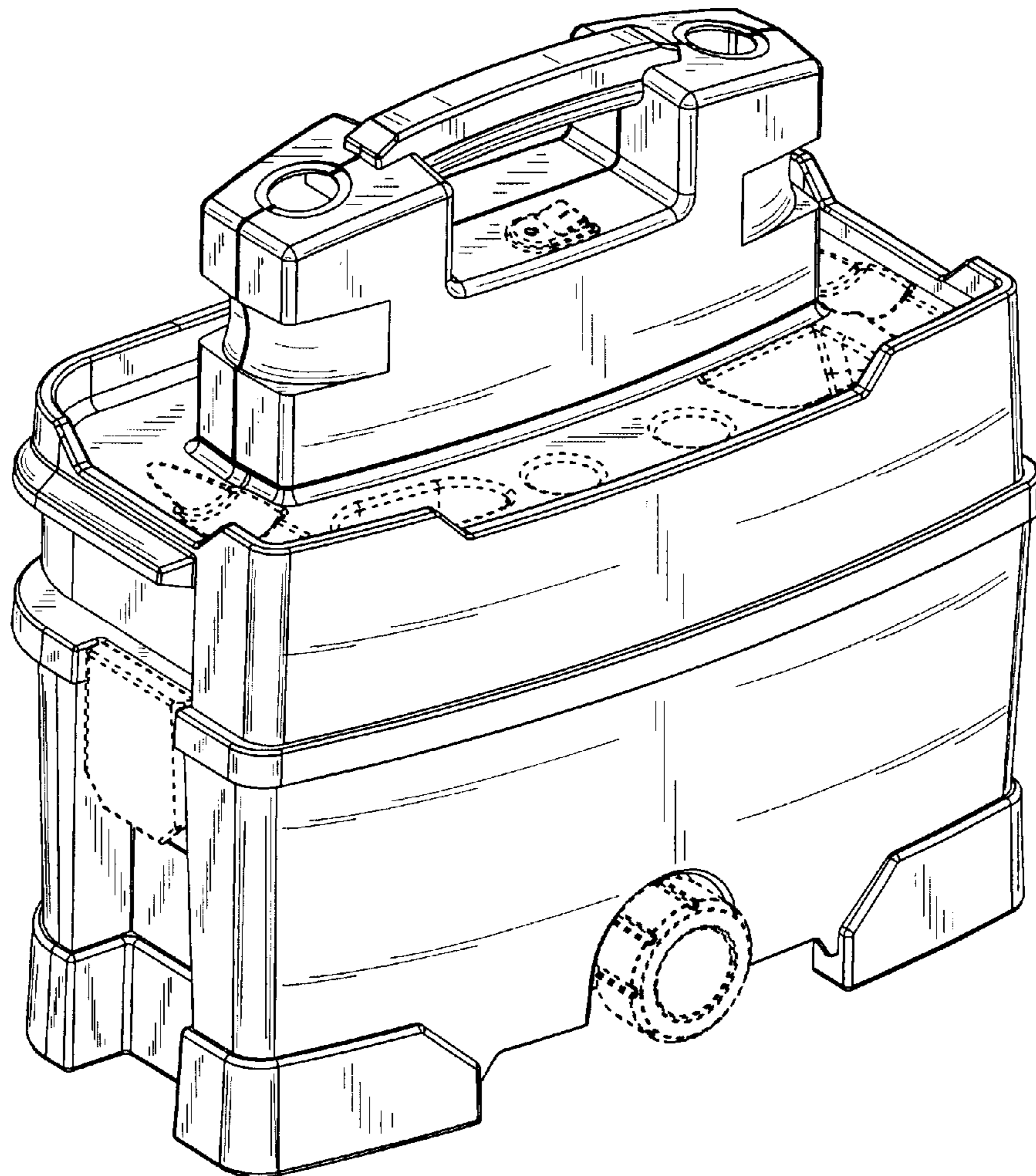


Fig. 1

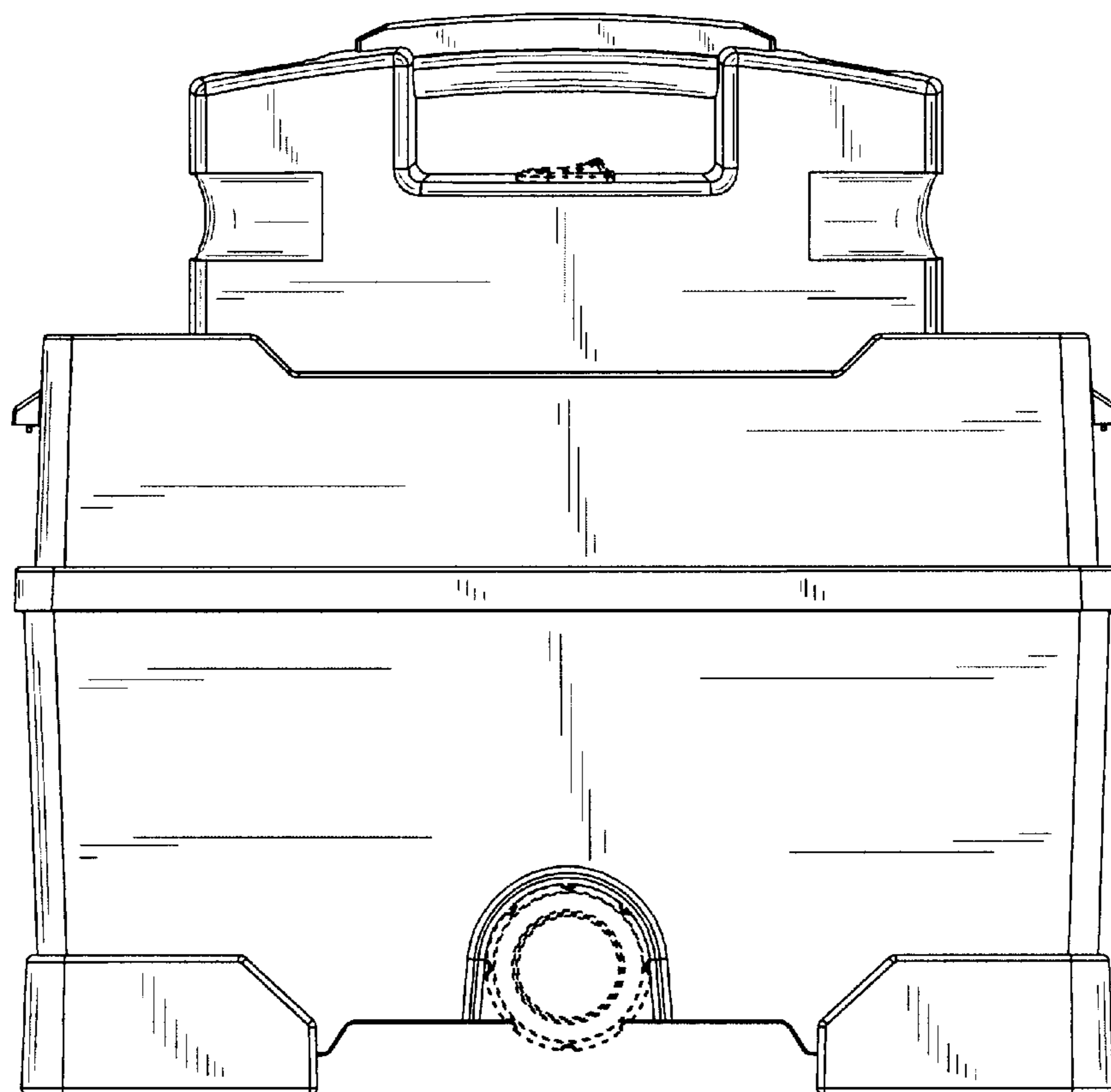


Fig. 2

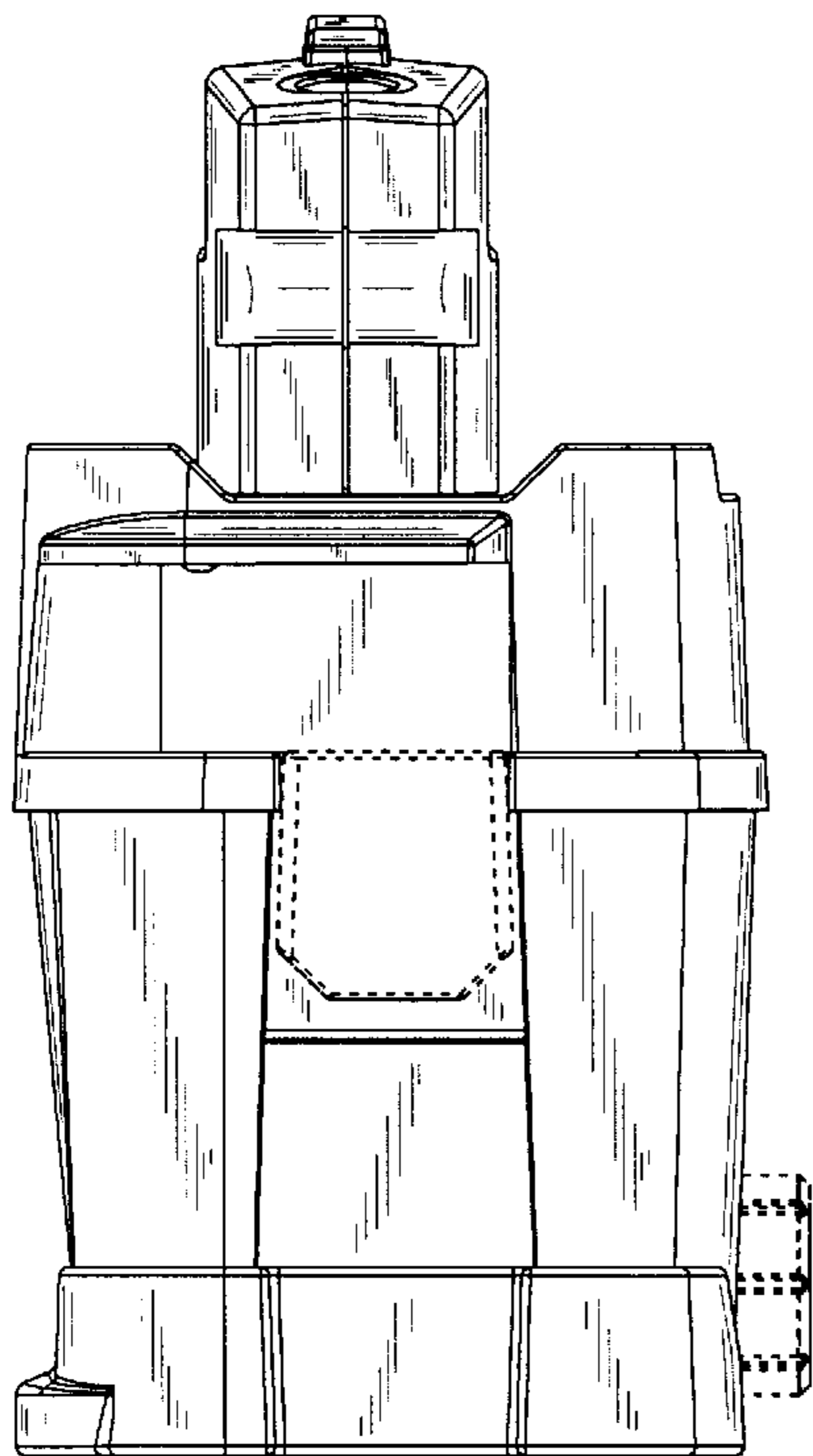


Fig. 3

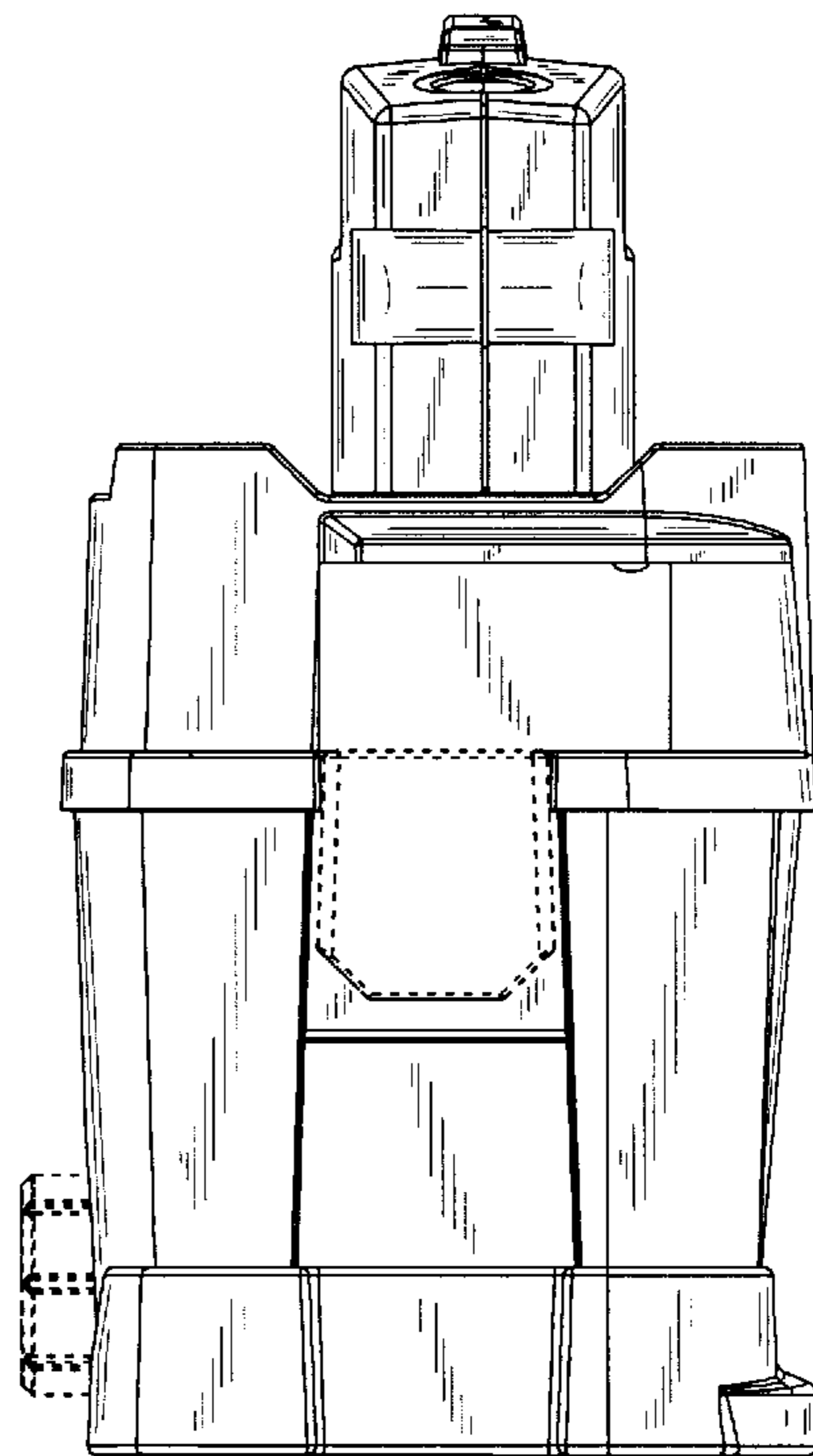


Fig. 4

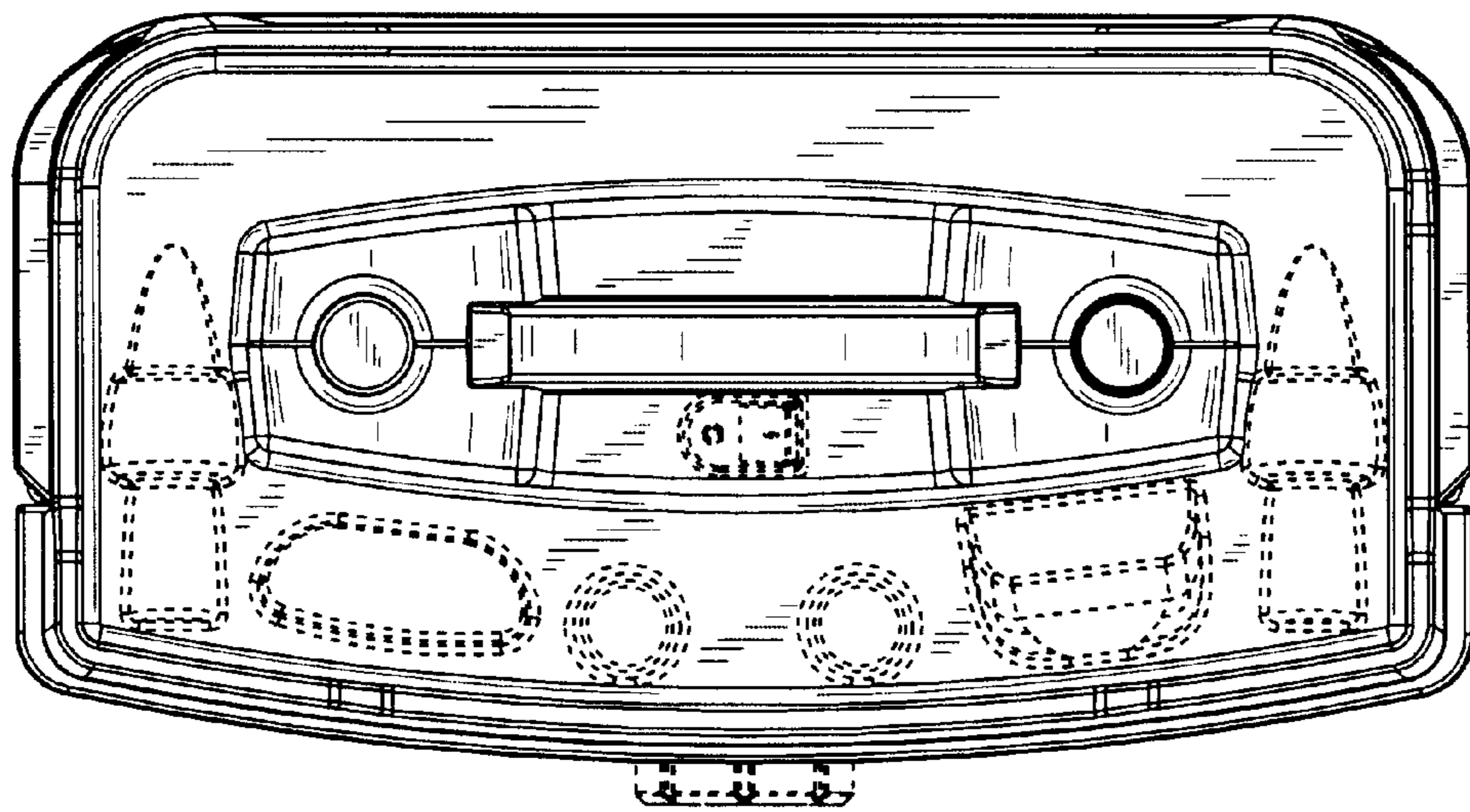


Fig. 5