

US00D537575S

(12) **United States Design Patent**
Jäger

(10) **Patent No.:** **US D537,575 S**

(45) **Date of Patent:** **** Feb. 27, 2007**

(54) **CHEW TOY FOR ANIMALS**

(75) Inventor: **Claudius Jäger**, Boulder, CO (US)

(73) Assignee: **Artemis Rubber Technology Inc.**,
Longmont, CO (US)

(**) Term: **14 Years**

(21) Appl. No.: **29/229,028**

(22) Filed: **May 2, 2005**

Related U.S. Application Data

(62) Division of application No. 29/186,346, filed on Jul. 14, 2003, now Pat. No. Des. 504,748.

(51) **LOC (8) Cl.** **30-99**

(52) **U.S. Cl.** **D30/160**

(58) **Field of Classification Search** D30/160;
D1/106, 125-128, 199; D21/685, 406-408,
D21/476, 483, 662, 681-682, 707, 713; D24/211-212;
119/702-703, 706-711; 473/575-576, 579-580,
473/596; 601/118, 120-121

See application file for complete search history.

(56) **References Cited**

U.S. PATENT DOCUMENTS

1,345,096 A * 6/1920 Mount 601/118
1,631,990 A * 6/1927 Tabb 132/233
2,640,696 A * 6/1953 Lemieux 482/107

2,796,269 A * 6/1957 Watson 482/107
D215,057 S * 8/1969 Sun D21/681
D243,013 S * 1/1977 Jones et al. D21/681
D263,608 S * 3/1982 Loewenton D21/406
4,579,337 A * 4/1986 Uyeda 482/107
D318,700 S * 7/1991 Davis D21/681
5,865,146 A * 2/1999 Markham 119/707
D448,851 S * 10/2001 Louis D24/211
2003/0079693 A1 * 5/2003 Jager 119/707

* cited by examiner

Primary Examiner—Cathy Anne MacCormac
(74) *Attorney, Agent, or Firm*—Robert W Becker &
Associates; Robert W. Becker

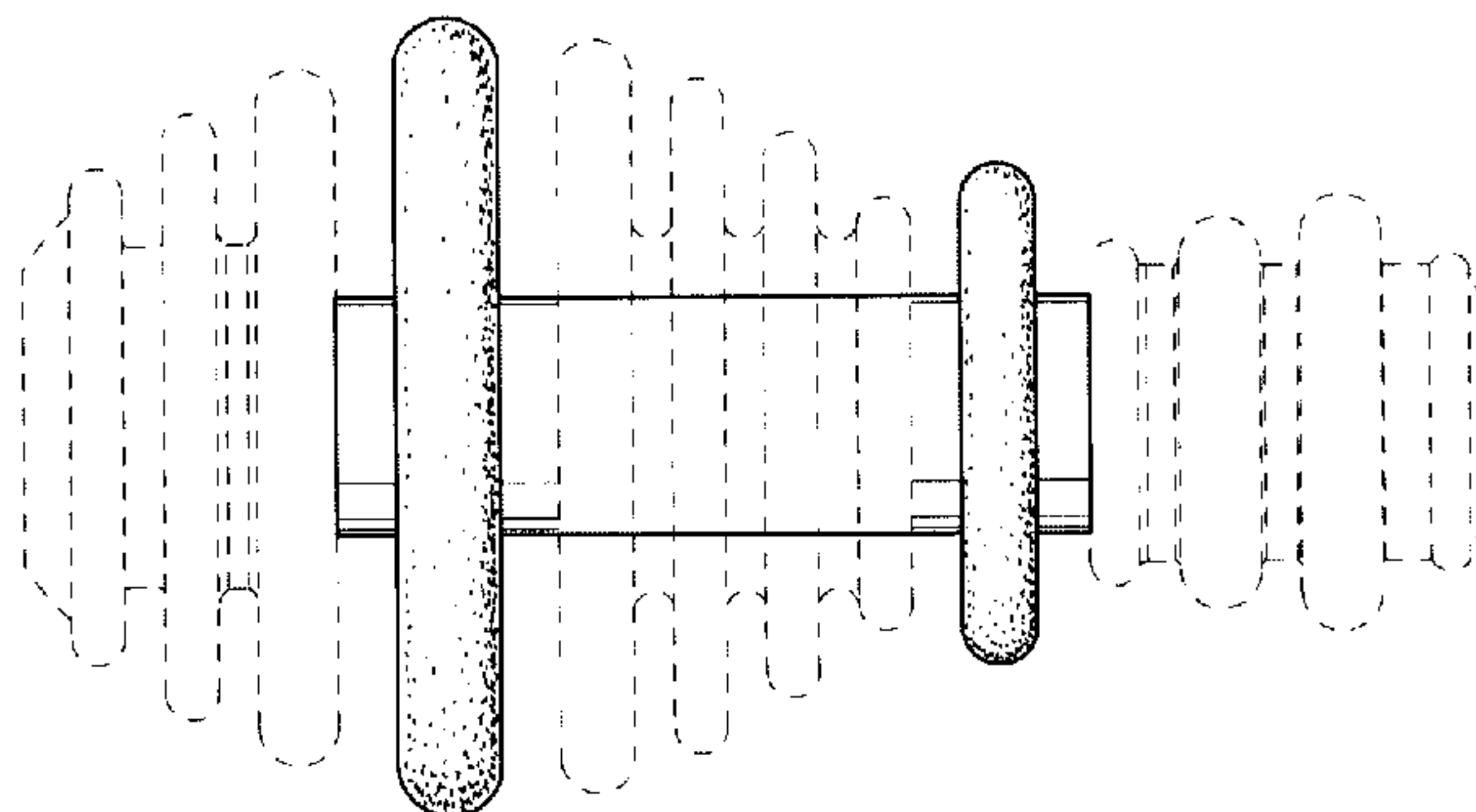
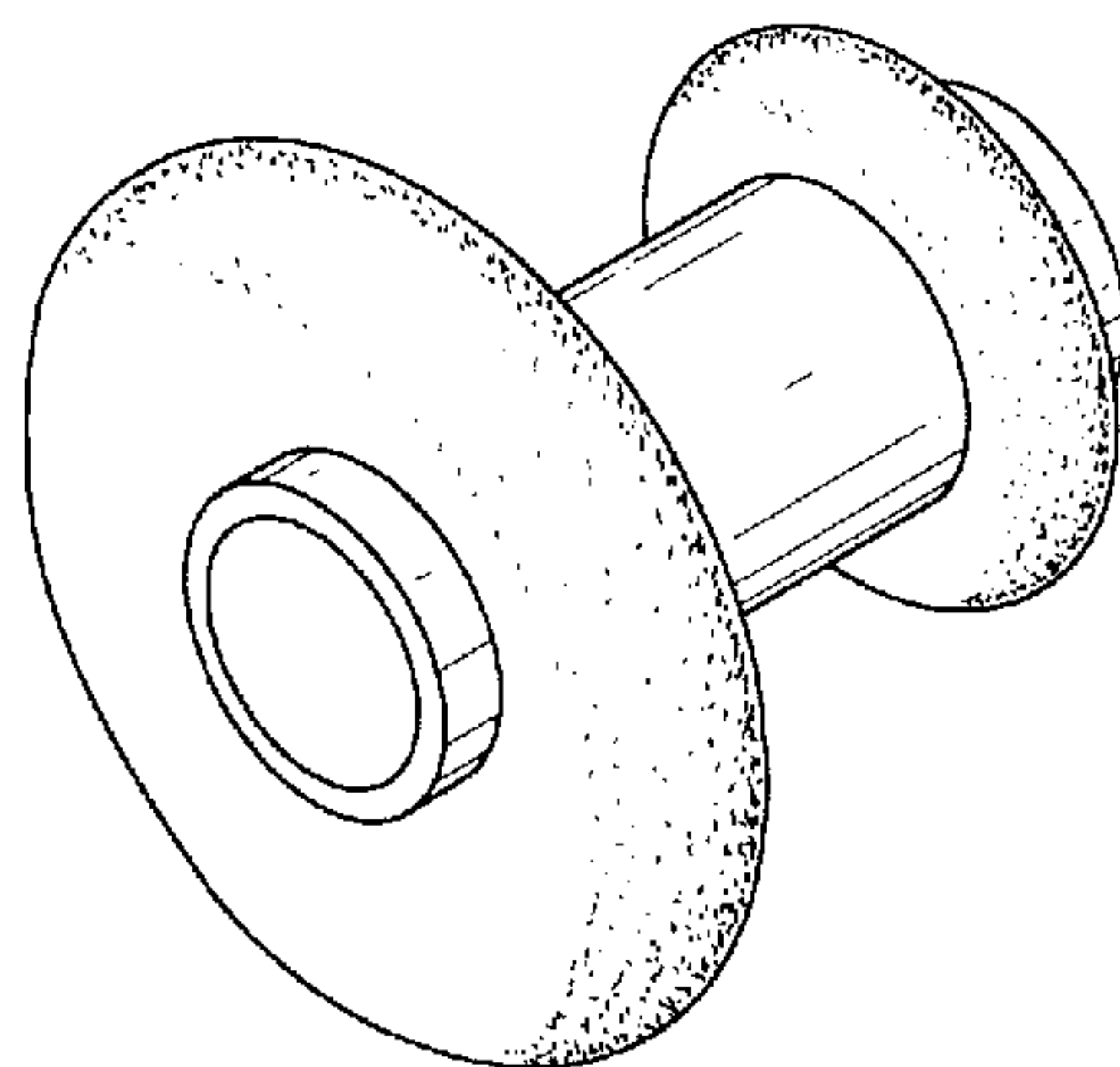
(57) **CLAIM**

The ornamental design for a chew toy for animals, as shown and described.

DESCRIPTION

FIG. 1 is a perspective view of a chew toy for animals showing my new design;
FIG. 2 is a right side view thereof, the left side is identical;
FIG. 3 is a perspective view thereof;
FIG. 4 is a front view of FIG. 3;
FIG. 5 is a rear view of FIG. 3; and,
FIG. 6 is a right side view of FIG. 3, the left side is identical.
The broken lines are for illustrative purposes only and form no part of the claimed design.

1 Claim, 5 Drawing Sheets



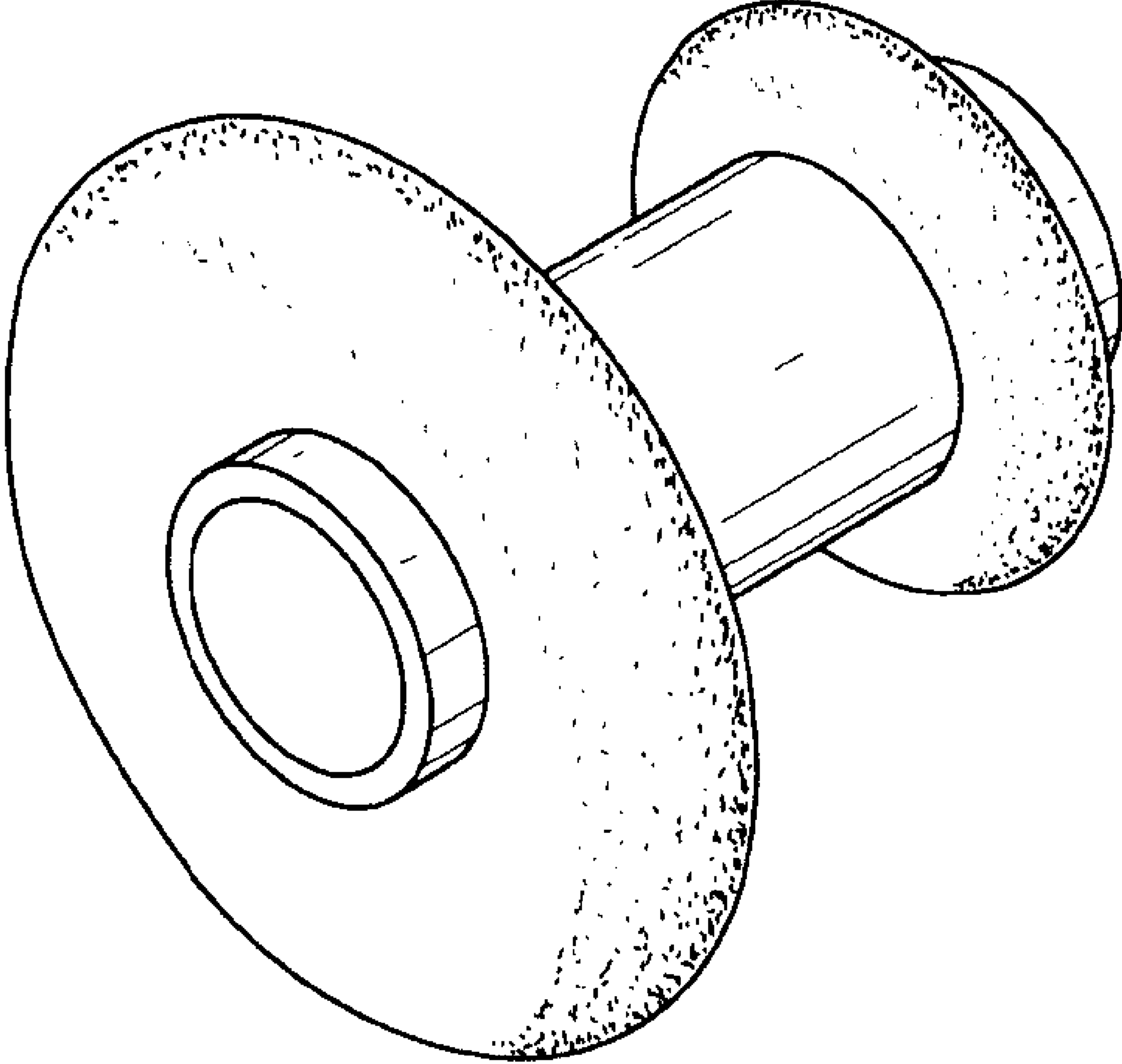


FIG.1

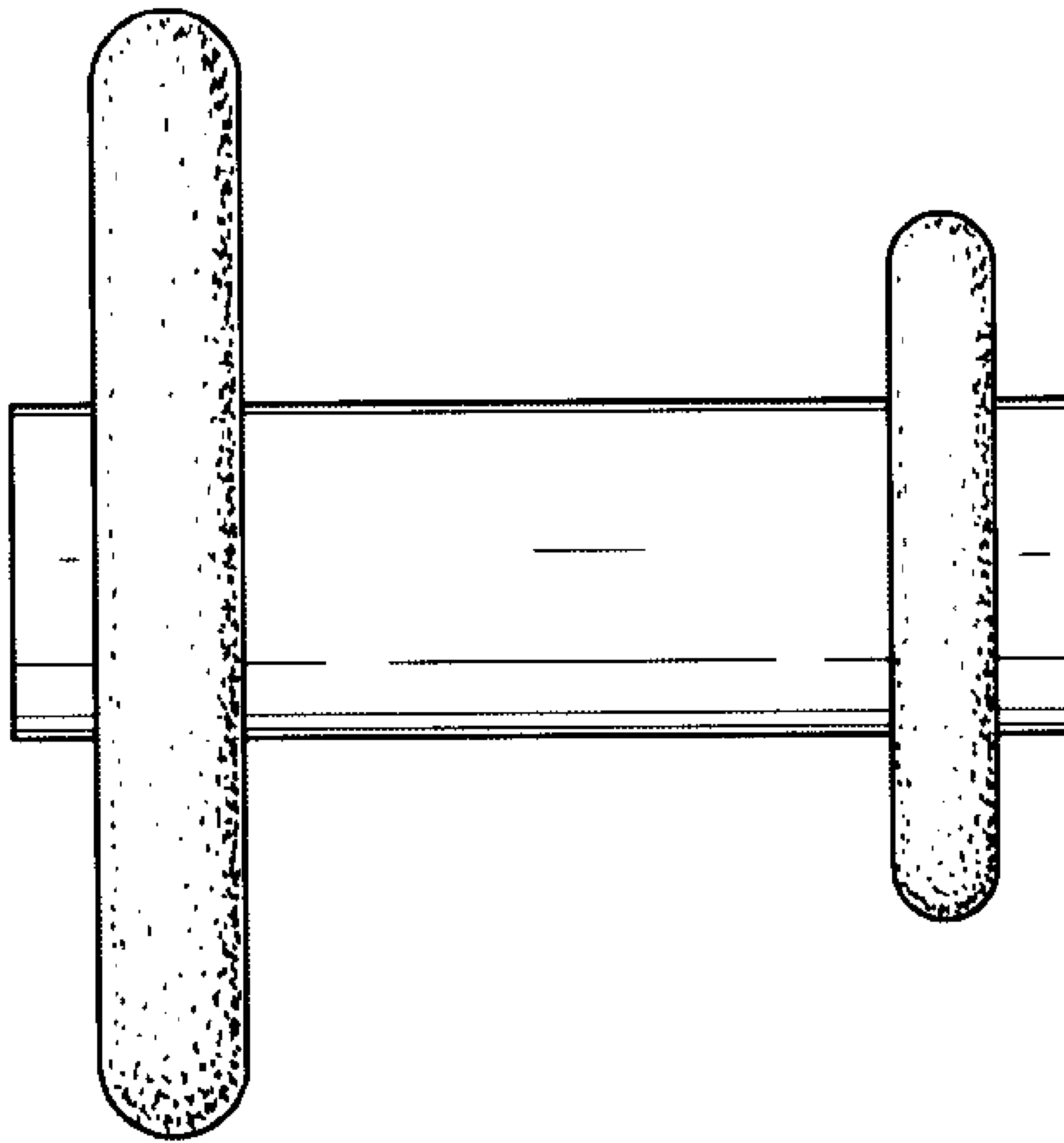


FIG.2

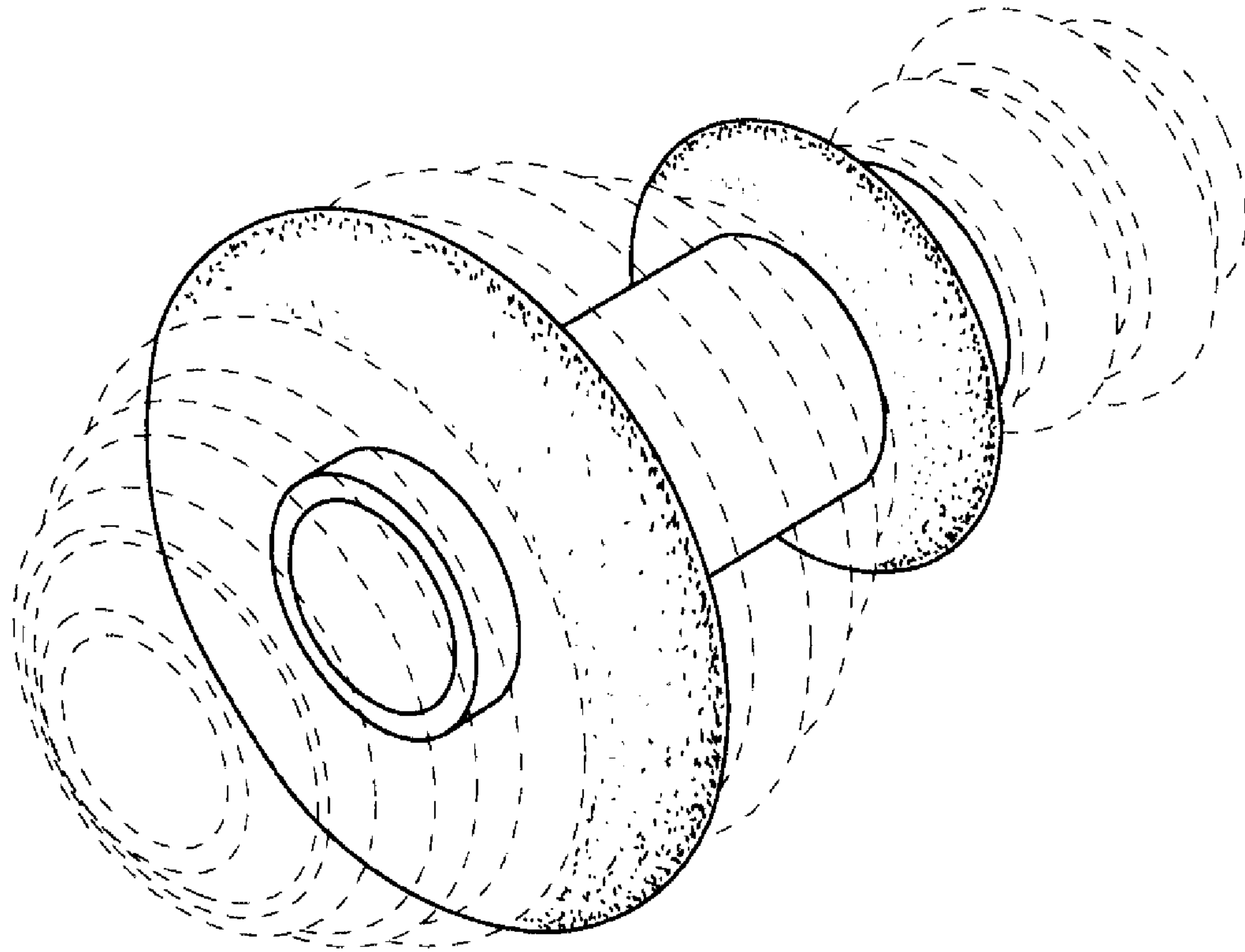


FIG.3

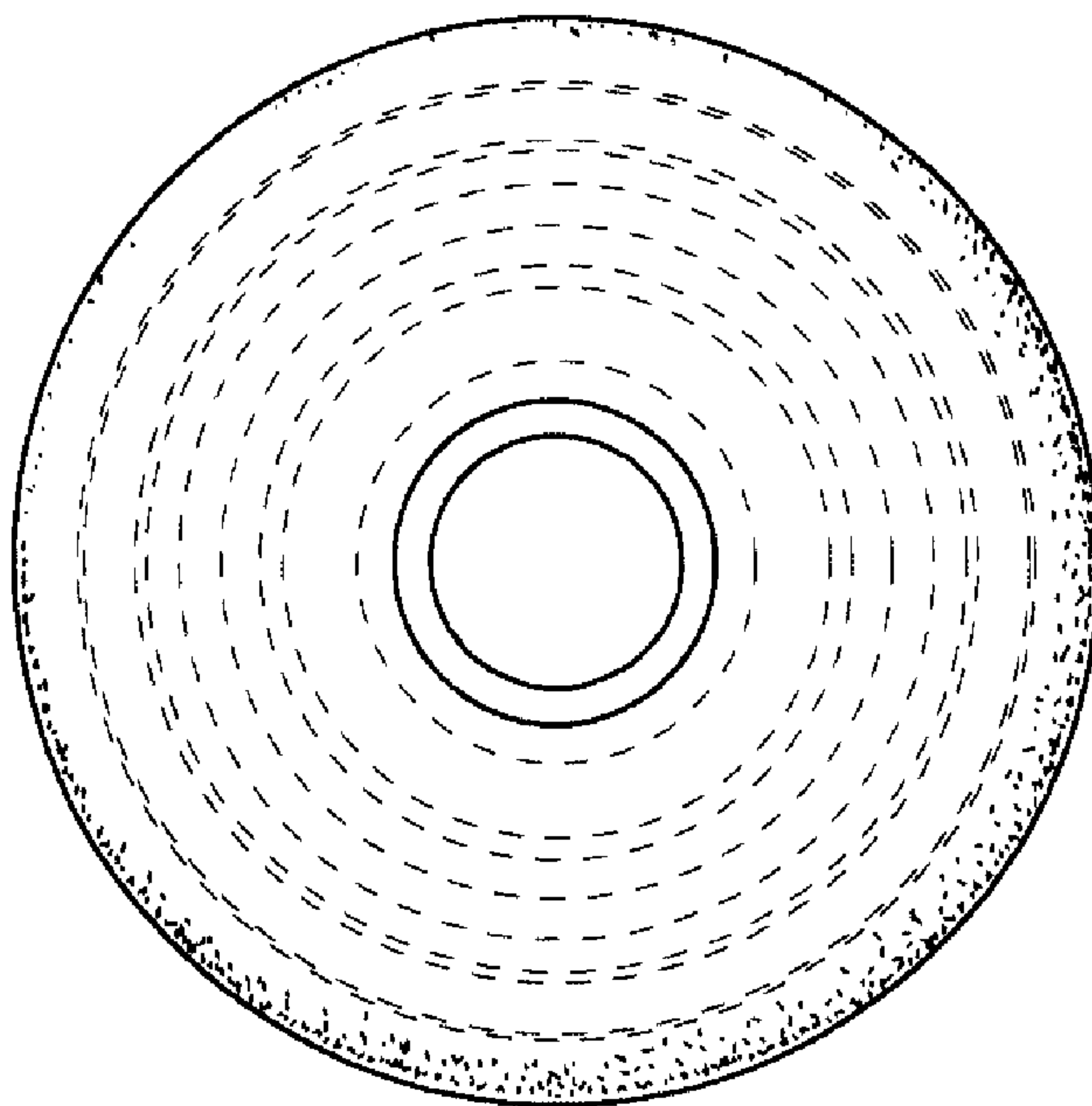


FIG. 4

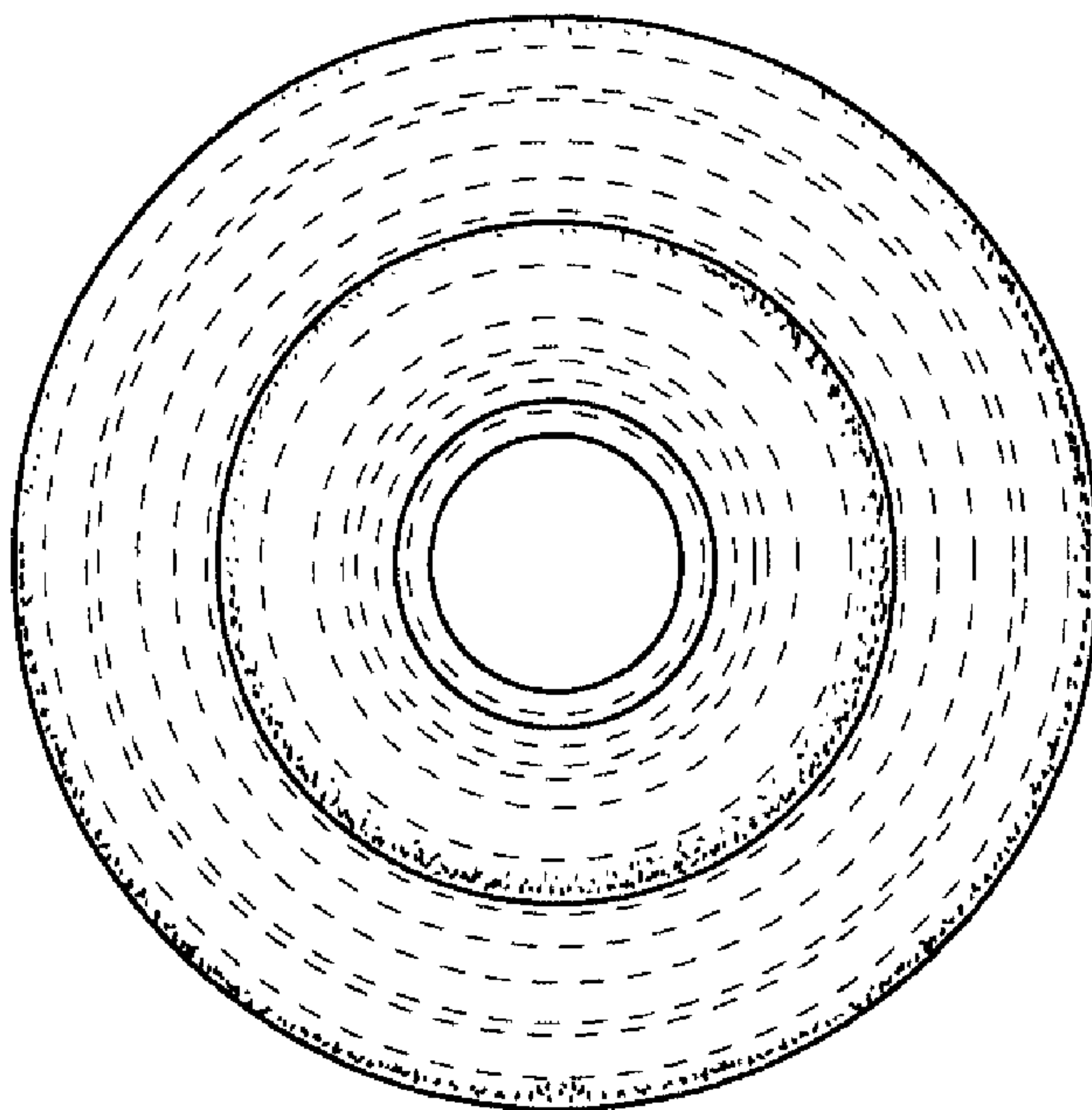


FIG. 5

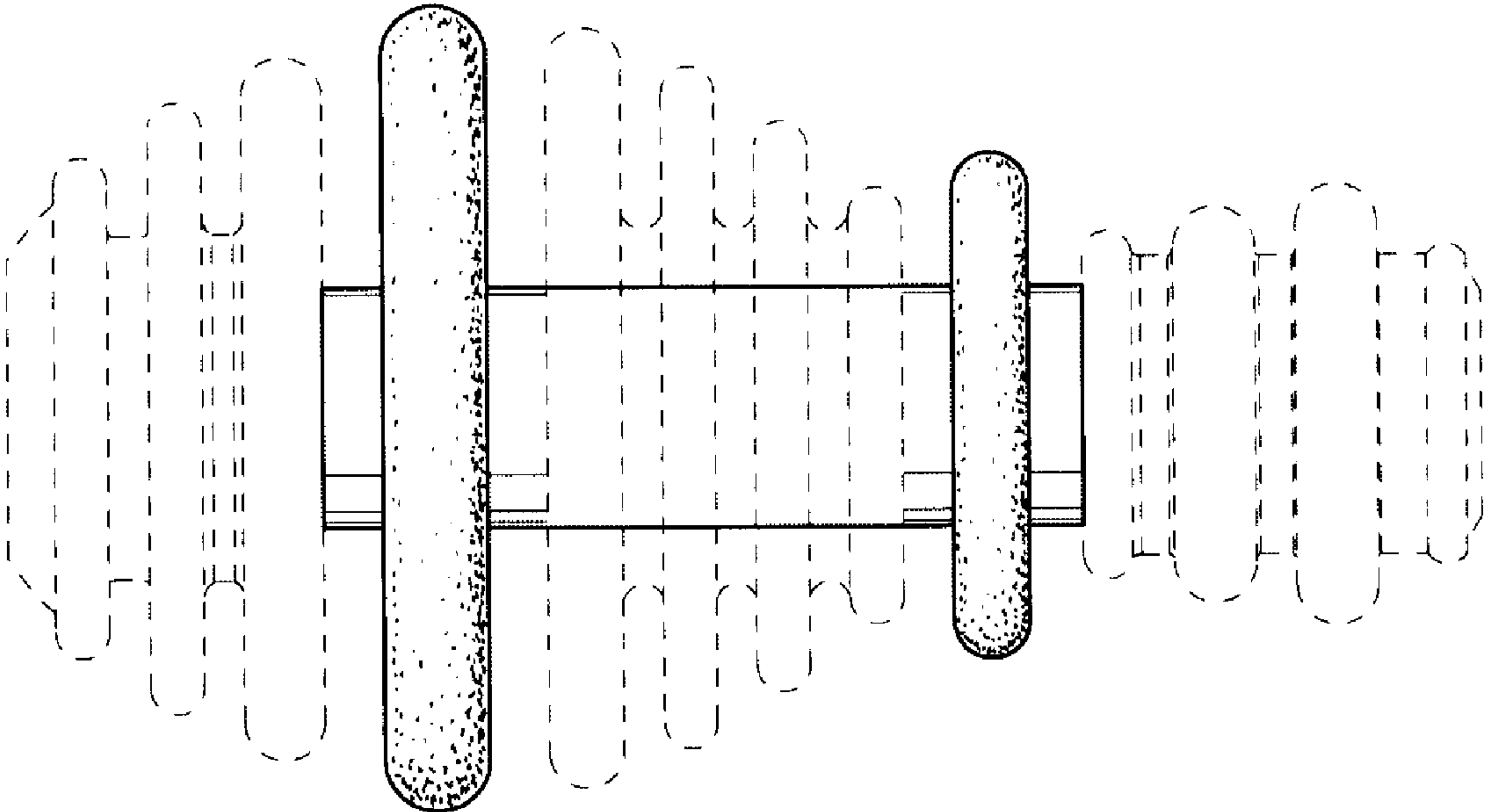


FIG.6