



US00D537570S

(12) **United States Design Patent**
Sanders

(10) **Patent No.:** **US D537,570 S**

(45) **Date of Patent:** **** Feb. 27, 2007**

(54) **DRYER**

(76) Inventor: **Donelle Sanders**, 425 Hampstead
South, Antioch, TN (US) 38013

(**) Term: **14 Years**

(21) Appl. No.: **29/232,267**

(22) Filed: **Jun. 16, 2005**

(51) **LOC (8) Cl.** **28-03**

(52) **U.S. Cl.** **D28/54.1**

(58) **Field of Classification Search** D28/54.1,
D28/58, 12; 392/380, 381; D23/357, 361,
D23/385; 34/266, 201, 202; D7/91, 350.4
See application file for complete search history.

(56) **References Cited**

U.S. PATENT DOCUMENTS

D193,126 S *	6/1962	Bradbury	D28/58
3,258,853 A *	7/1966	Bradbury	34/202
3,930,320 A	1/1976	Henderson		
4,255,871 A	3/1981	Sigman		
D279,412 S *	6/1985	Fung	D28/58
4,754,769 A	7/1988	Flynn		
D300,960 S *	5/1989	Billings	D28/58
5,084,984 A	2/1992	Duchoud et al.		
D327,317 S *	6/1992	Courchesne	D23/385
5,280,679 A	1/1994	Edelman		
5,351,417 A	10/1994	Rubin		
5,549,930 A	8/1996	Reysis		

5,711,091 A	1/1998	Bos		
5,723,108 A	3/1998	Reysis		
5,893,467 A	4/1999	Burchell		
6,047,485 A	4/2000	Madyun		
D432,266 S *	10/2000	Lefebvre	D28/54.1
6,189,231 B1 *	2/2001	Lancer	34/90
6,250,311 B1	6/2001	Megna		
6,658,759 B2	12/2003	Hu		

* cited by examiner

Primary Examiner—Janice E. Seeger

Assistant Examiner—Zenia I Bennett

(74) *Attorney, Agent, or Firm*—Wyatt, Tarrant & Combs, LLP

(57) **CLAIM**

I claim the ornamental design for a dryer, as shown and described.

DESCRIPTION

FIG. 1 is a perspective view of a dryer showing my new design.

FIG. 2 is a front elevational view of the dryer of FIG. 1.

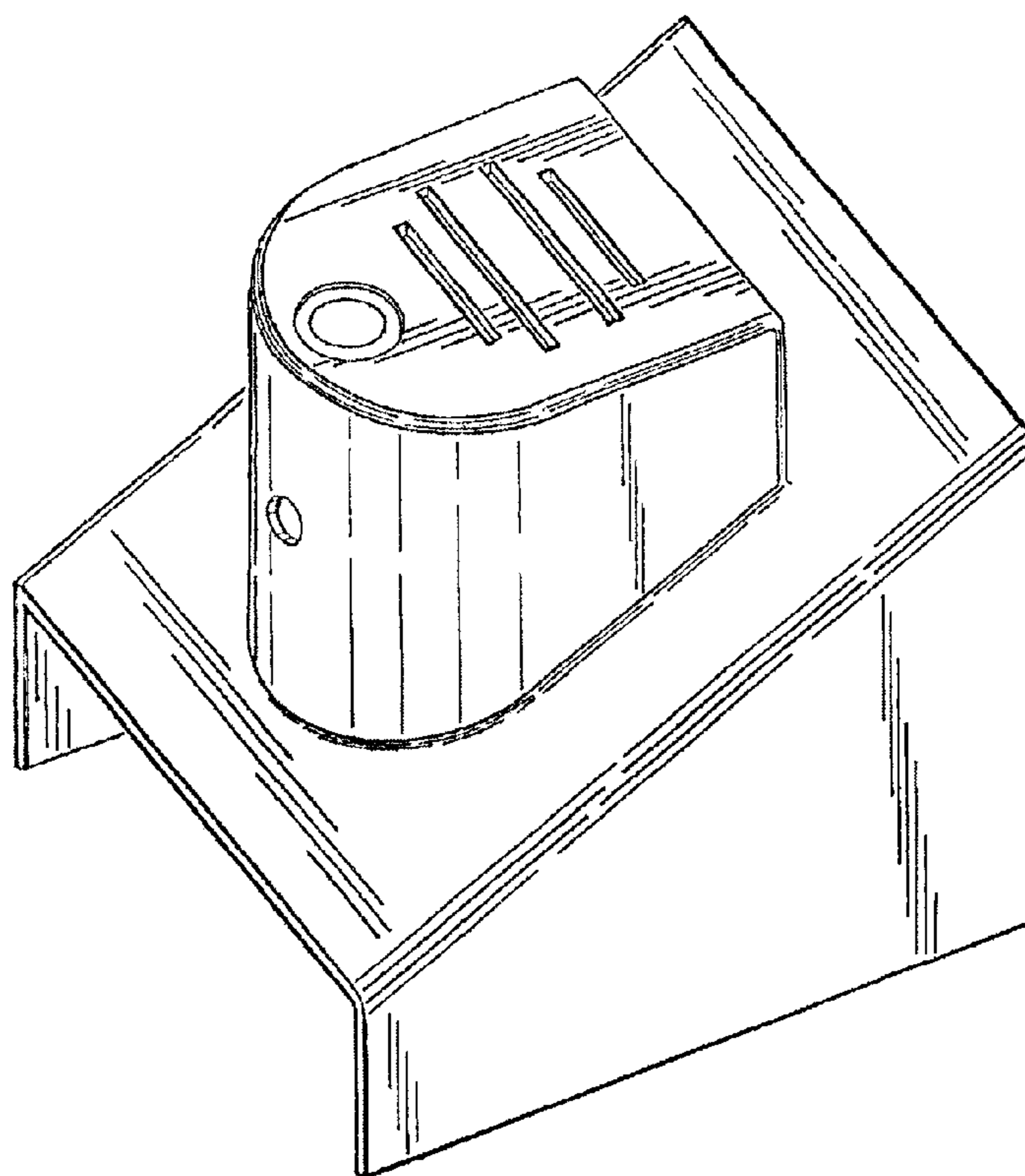
FIG. 3 is a rear elevational view of the dryer of FIGS. 1 and 2.

FIG. 4 is a bottom view of the dryer of FIGS. 1 through 3.

FIG. 5 is a left side view of the dryer of FIGS. 1 through 4, the right side view being a mirror image thereof; and,

FIG. 6 is a top view of the dryer of FIGS. 1 through 5.

1 Claim, 3 Drawing Sheets



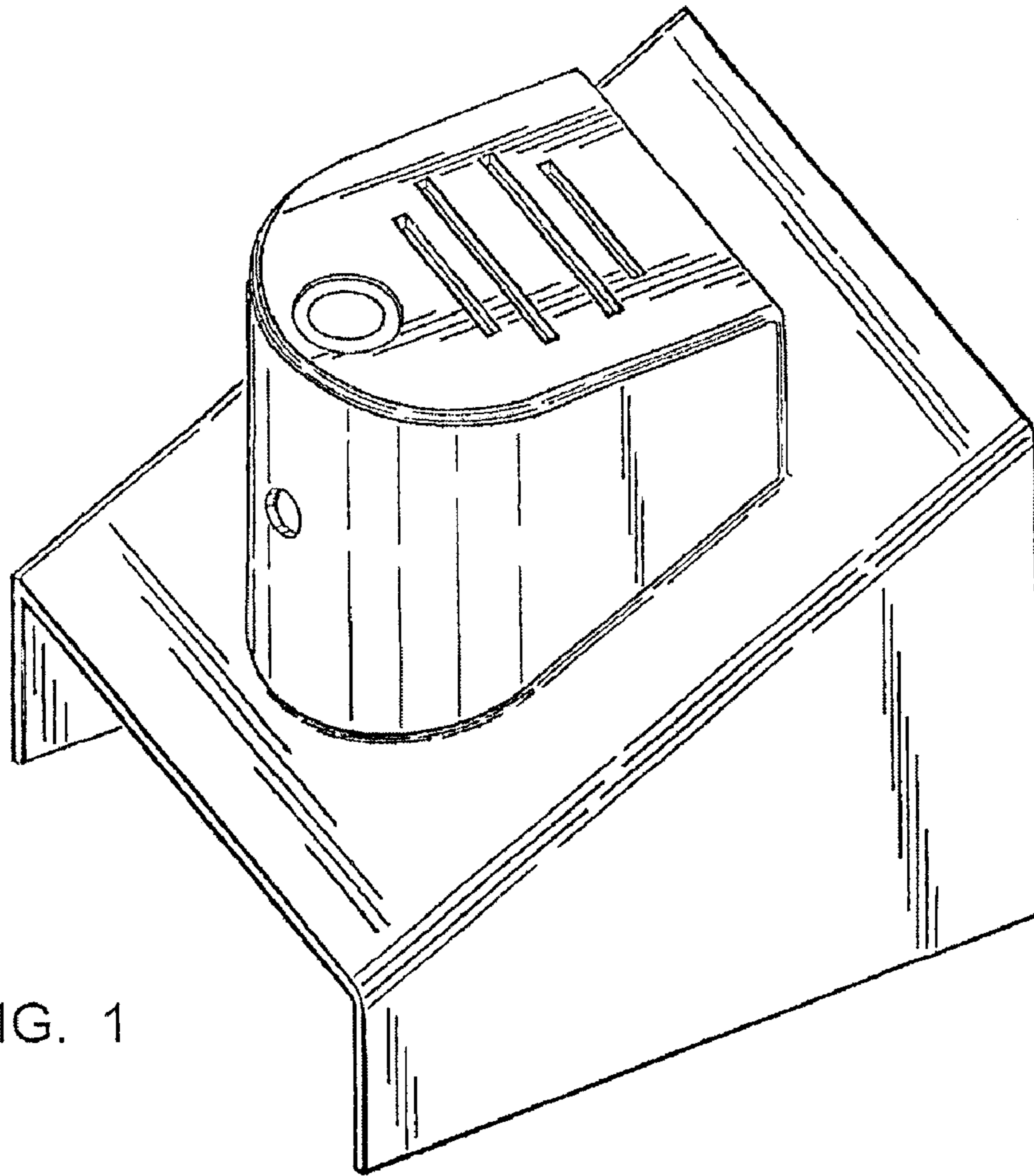


FIG. 1

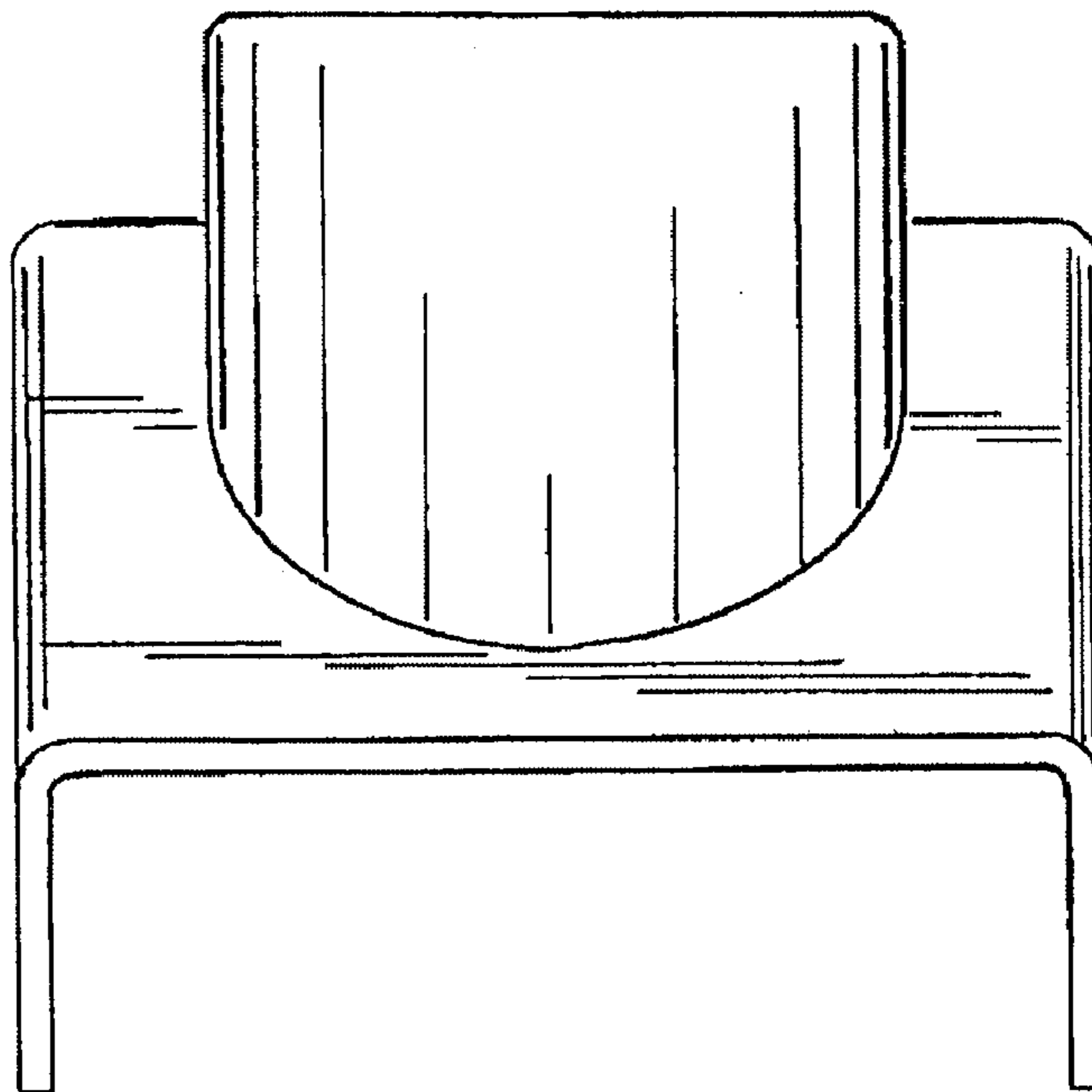


FIG. 2

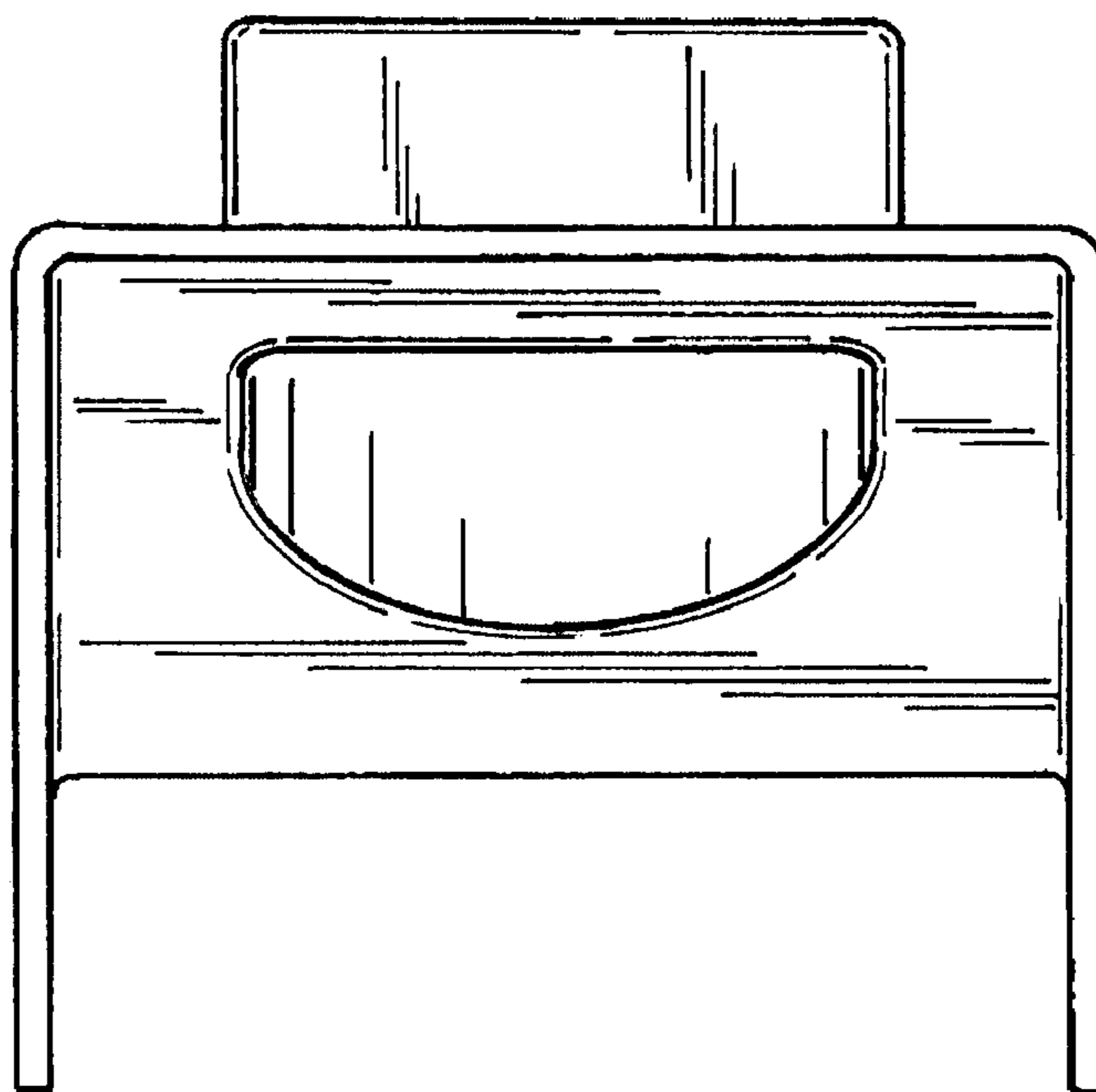


FIG. 3

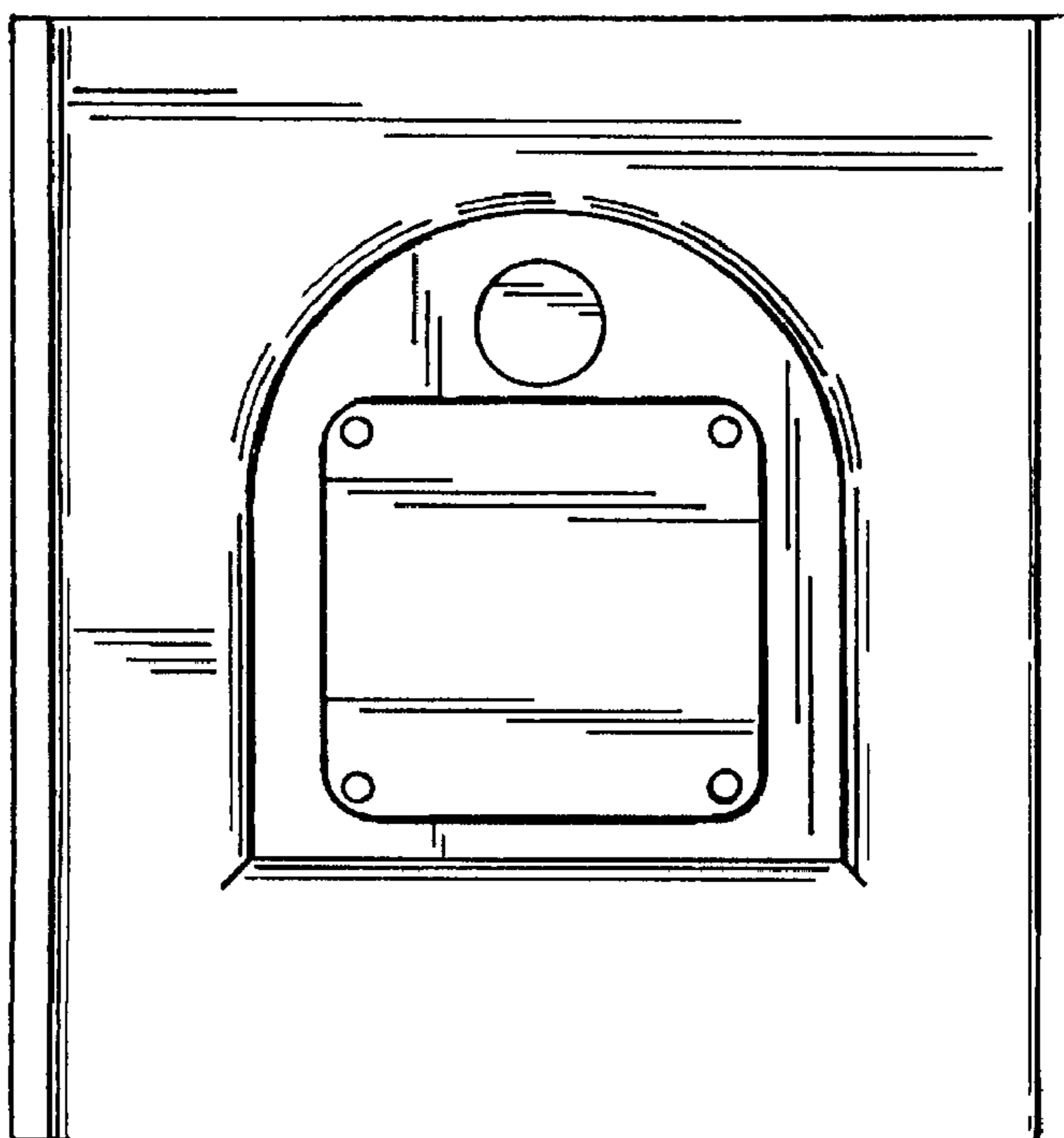


FIG. 4

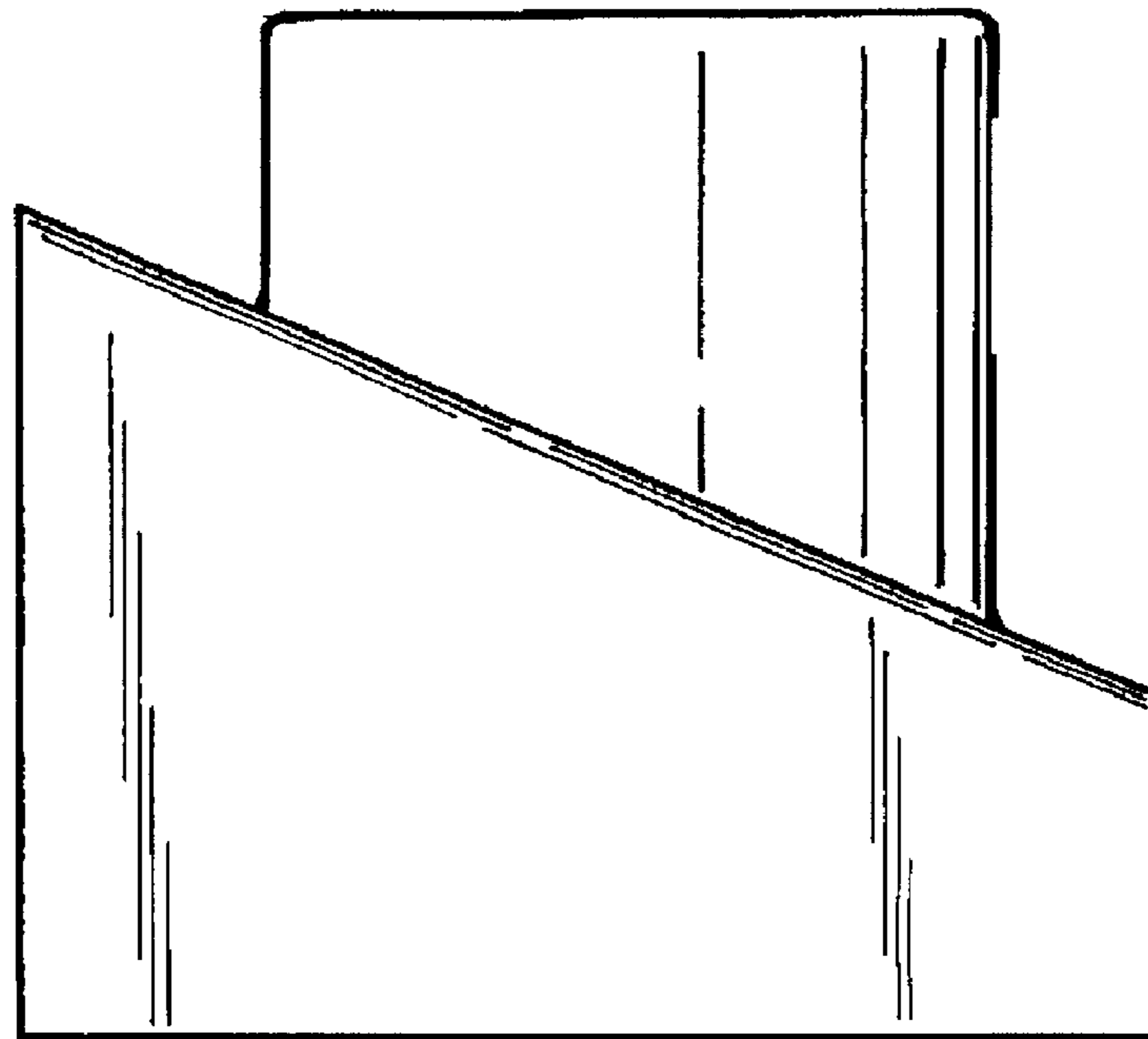


FIG. 5

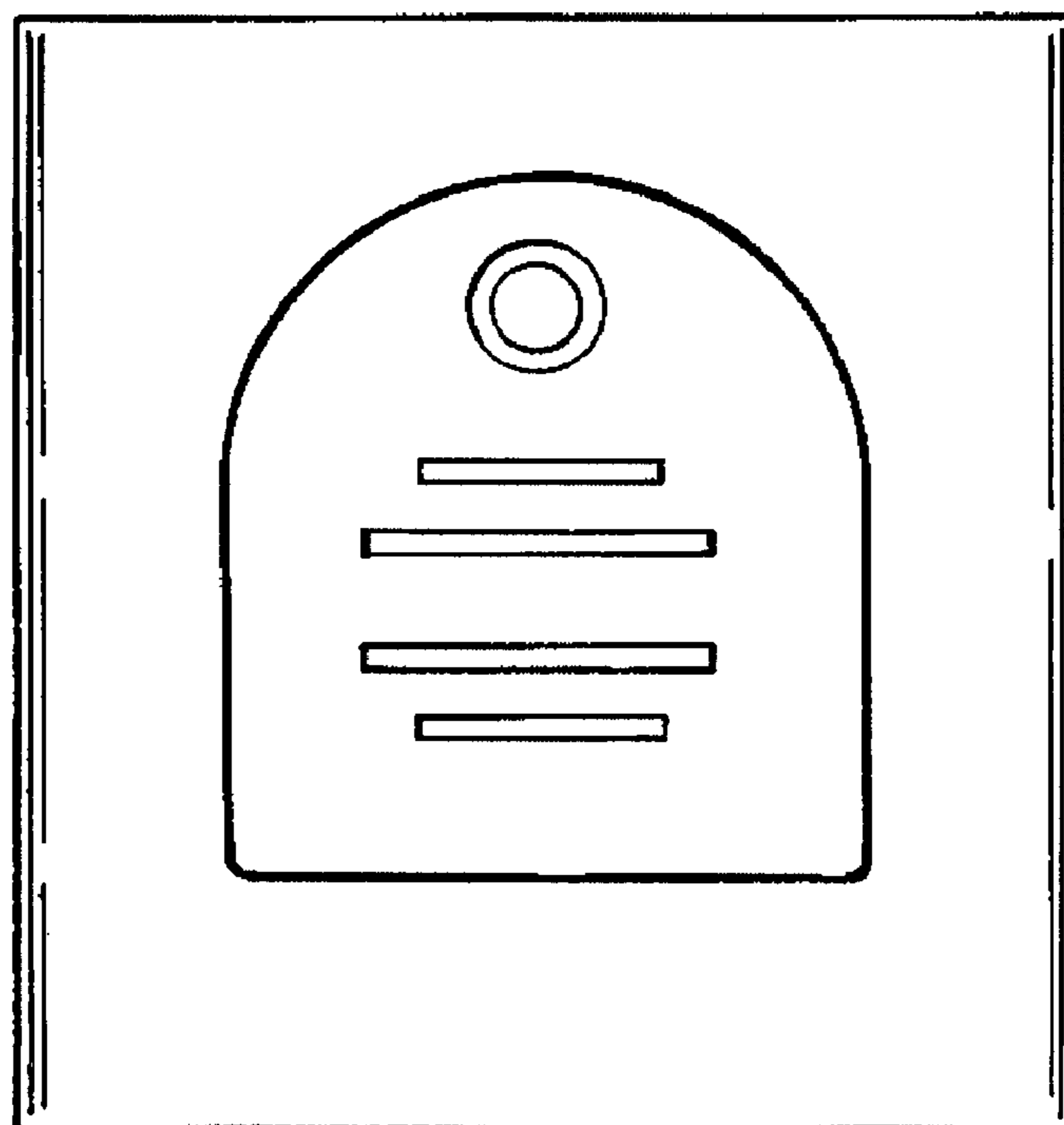


FIG. 6