



US00D537569S

(12) **United States Design Patent**
Liao

(10) **Patent No.:** **US D537,569 S**
(45) **Date of Patent:** **** Feb. 27, 2007**

(54) **HAIR CLIPPER HOUSING**

DESCRIPTION

- (75) Inventor: **Yi-Tang Liao**, Taichung County (TW)
- (73) Assignee: **Jeng Shyuan Precision Co., Ltd.**,
Taichung County (TW)
- (**) Term: **14 Years**
- (21) Appl. No.: **29/245,388**
- (22) Filed: **Dec. 23, 2005**
- (51) **LOC (8) Cl.** **28-03**
- (52) **U.S. Cl.** **D28/54**
- (58) **Field of Classification Search** 30/32,
30/34.05, 34.1, 34.2, 41-41.6, 43-43.92,
30/44-45, 47-50, 526-533, 201; D28/44-46,
D28/49-54
See application file for complete search history.

FIG. 1 shows a perspective view of a first preferred embodiment of the present design.
 FIG. 2 shows a right view of the first preferred embodiment of the present design.
 FIG. 3 shows a top view of the first preferred embodiment of the present design.
 FIG. 4 shows a front view of the first preferred embodiment of the present design.
 FIG. 5 shows a bottom view of the first preferred embodiment of the present design.
 FIG. 6 shows a left view of the first preferred embodiment of the present design.
 FIG. 7 shows a rear view of the first preferred embodiment of the present design.
 FIG. 8 shows a perspective view of a second preferred embodiment of the present design.
 FIG. 9 shows a right view of the second preferred embodiment of the present design.
 FIG. 10 shows a top view of the second preferred embodiment of the present design.
 FIG. 11 shows a front view of the second preferred embodiment of the present design.
 FIG. 12 shows a bottom view of the second preferred embodiment of the present design.
 FIG. 13 shows a left view of the second preferred embodiment of the present design; and,
 FIG. 14 shows a rear view of the second preferred embodiment of the present design.
 The broken line showing of the switch hole, contact hole, connection interface and housing interior is for illustration purposes only and forms no part of the claimed design.

(56) **References Cited**

U.S. PATENT DOCUMENTS

D456,096 S	*	4/2002	Rizzuto et al.	D28/53
D466,650 S	*	12/2002	Muller et al.	D28/53
D495,830 S	*	9/2004	Cornelissen	D28/49
D499,211 S	*	11/2004	Altamore et al.	D28/54
D500,891 S	*	1/2005	Altamore et al.	D28/54
D501,278 S	*	1/2005	Nielsen et al.	D28/54
D525,745 S	*	7/2006	McCambridge et al.	D28/53

* cited by examiner

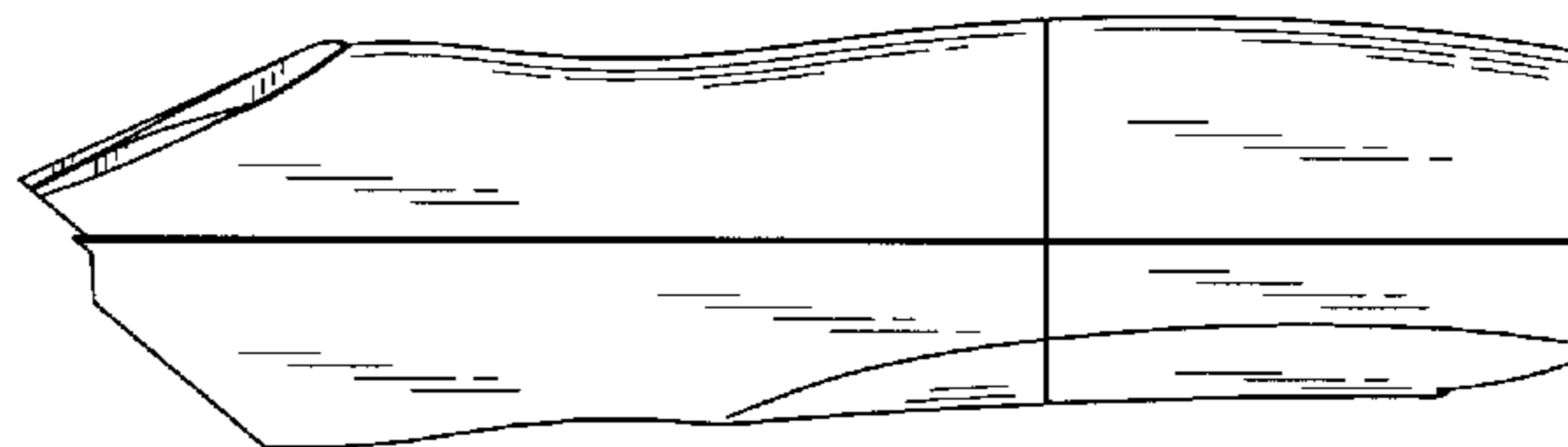
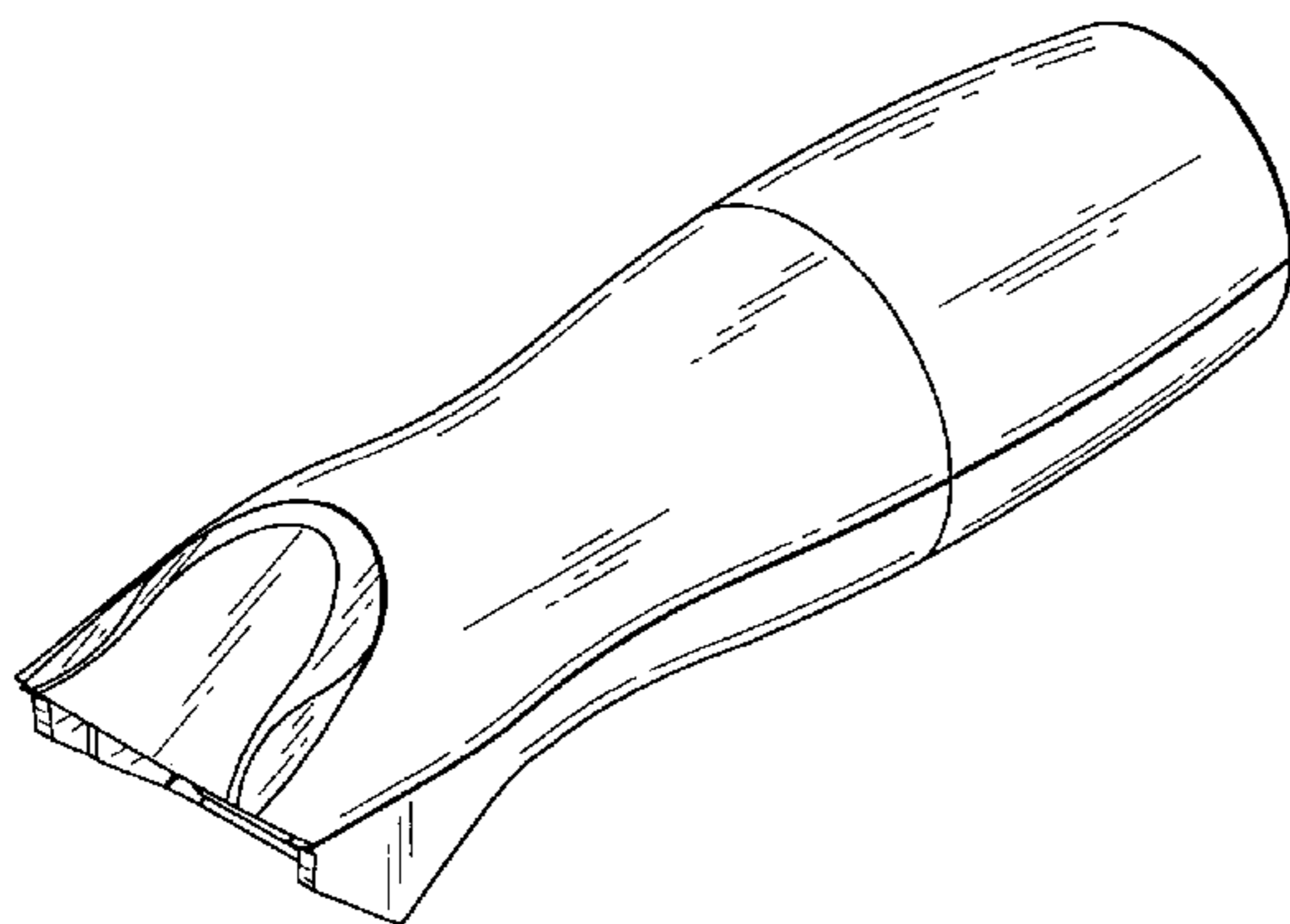
Primary Examiner—Jennifer Rivard

(74) *Attorney, Agent, or Firm*—Bacon & Thomas, PLLC

(57) **CLAIM**

The ornamental design for a hair clipper housing, as shown and described.

1 Claim, 8 Drawing Sheets



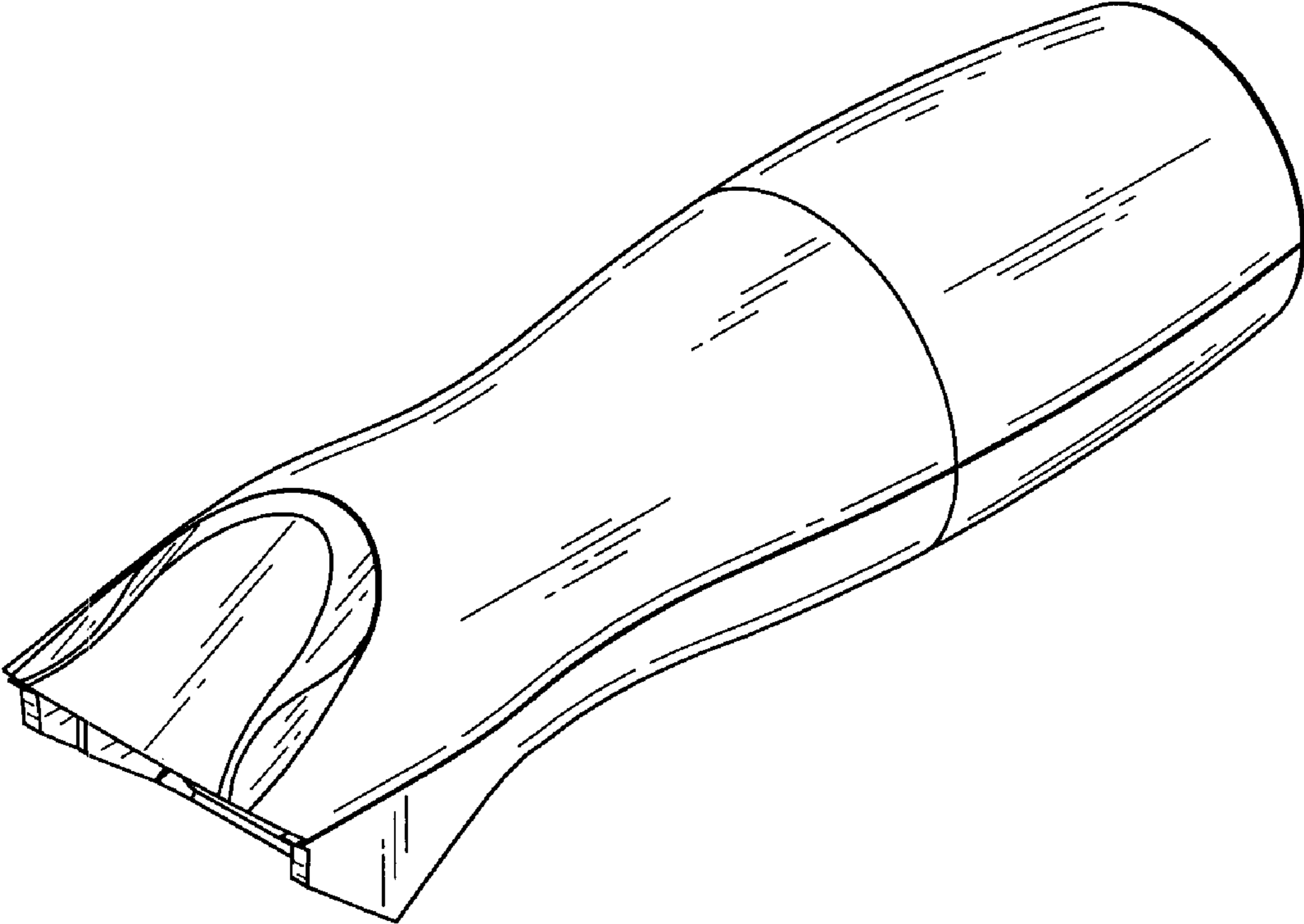


FIG. 1

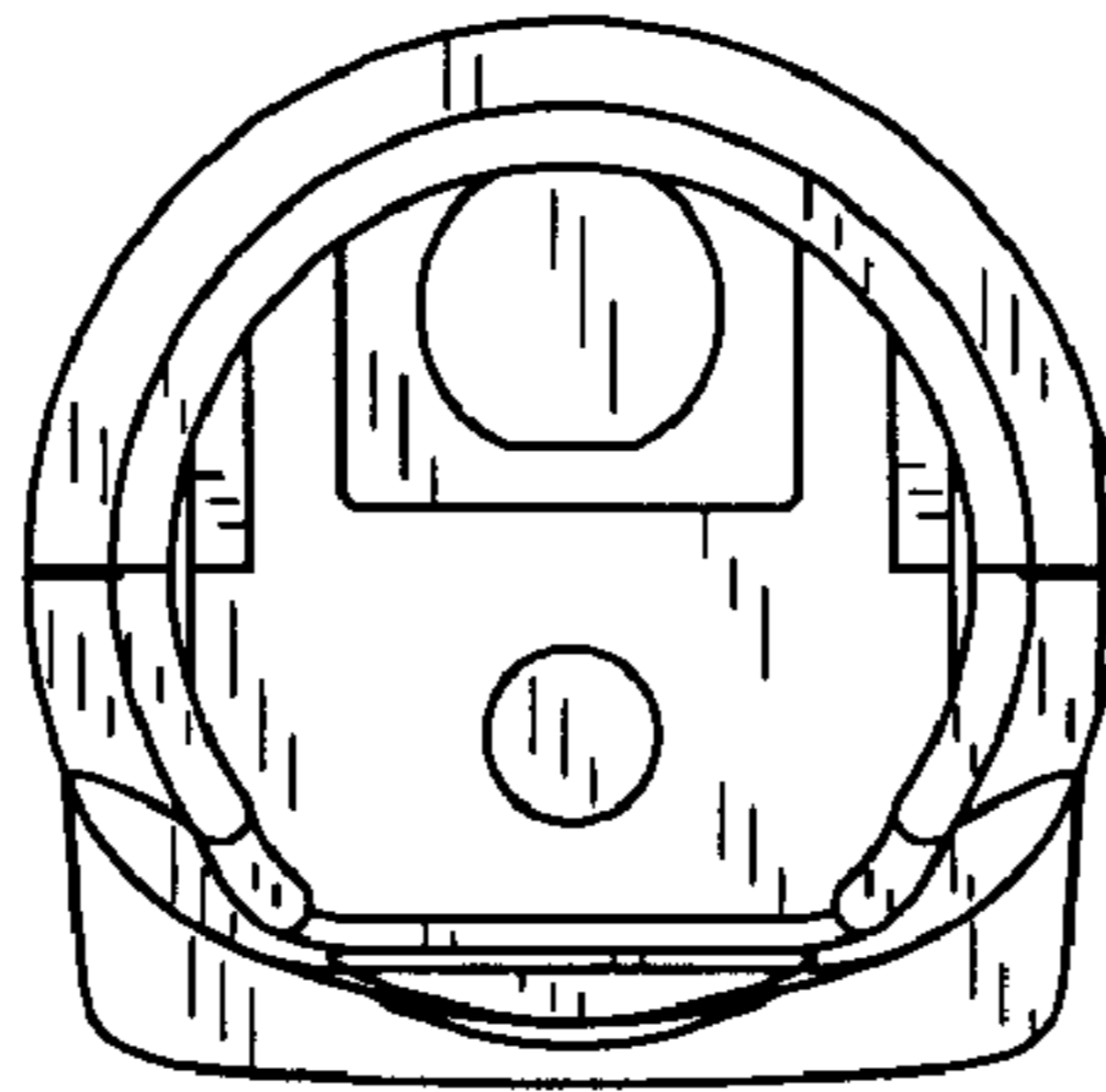


FIG. 2

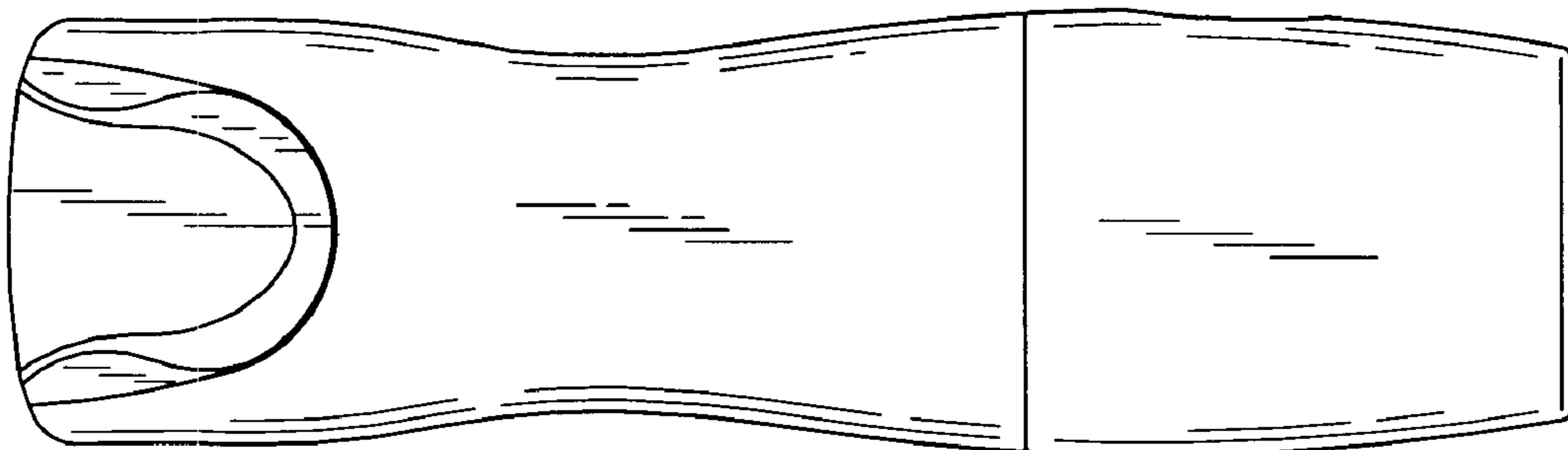


FIG. 3

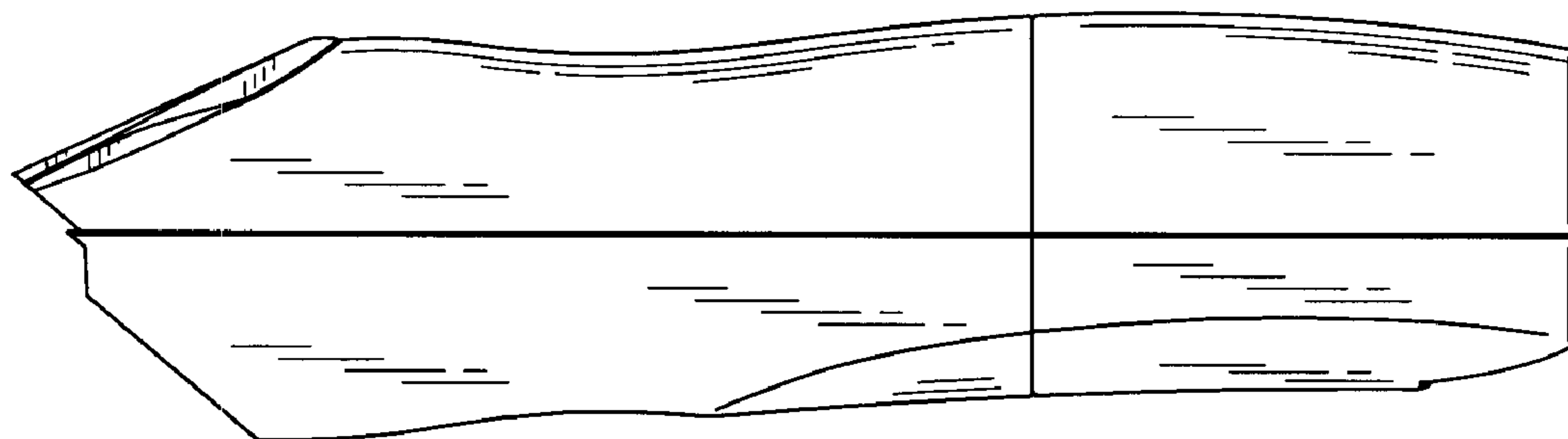


FIG. 4

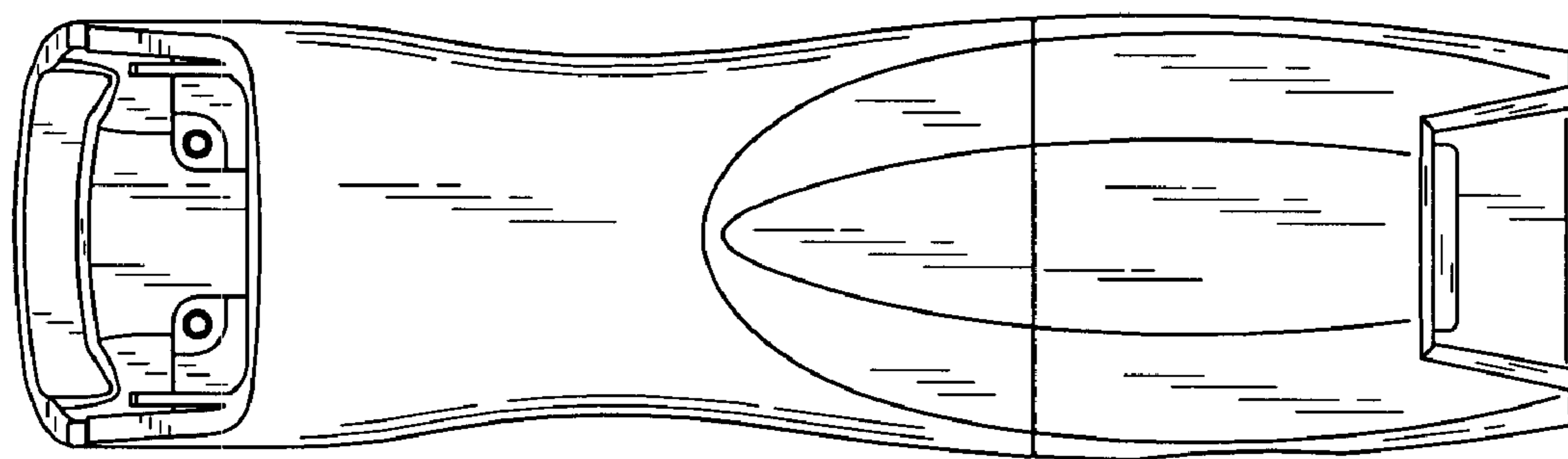


FIG. 5

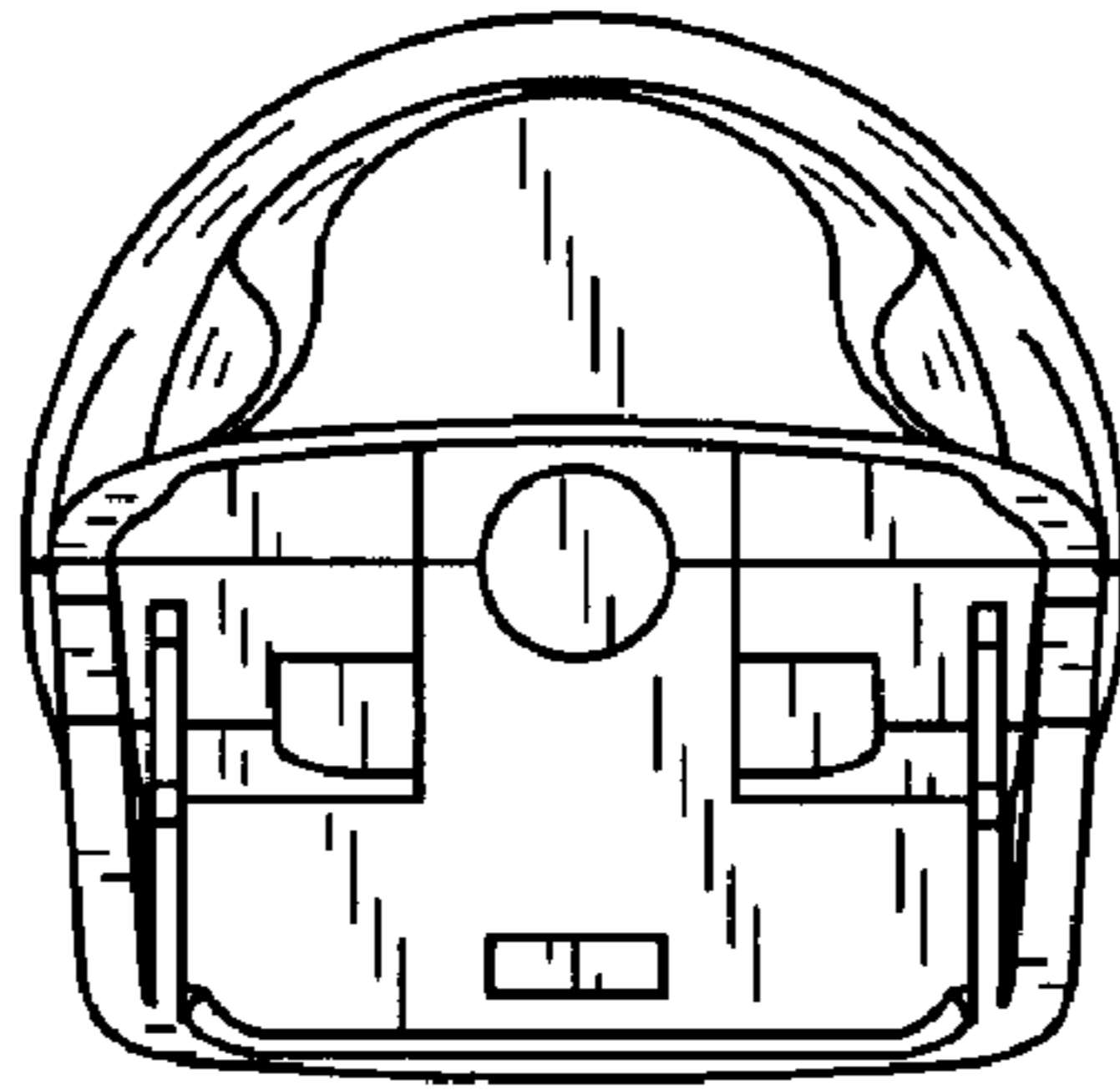


FIG. 6



FIG. 7

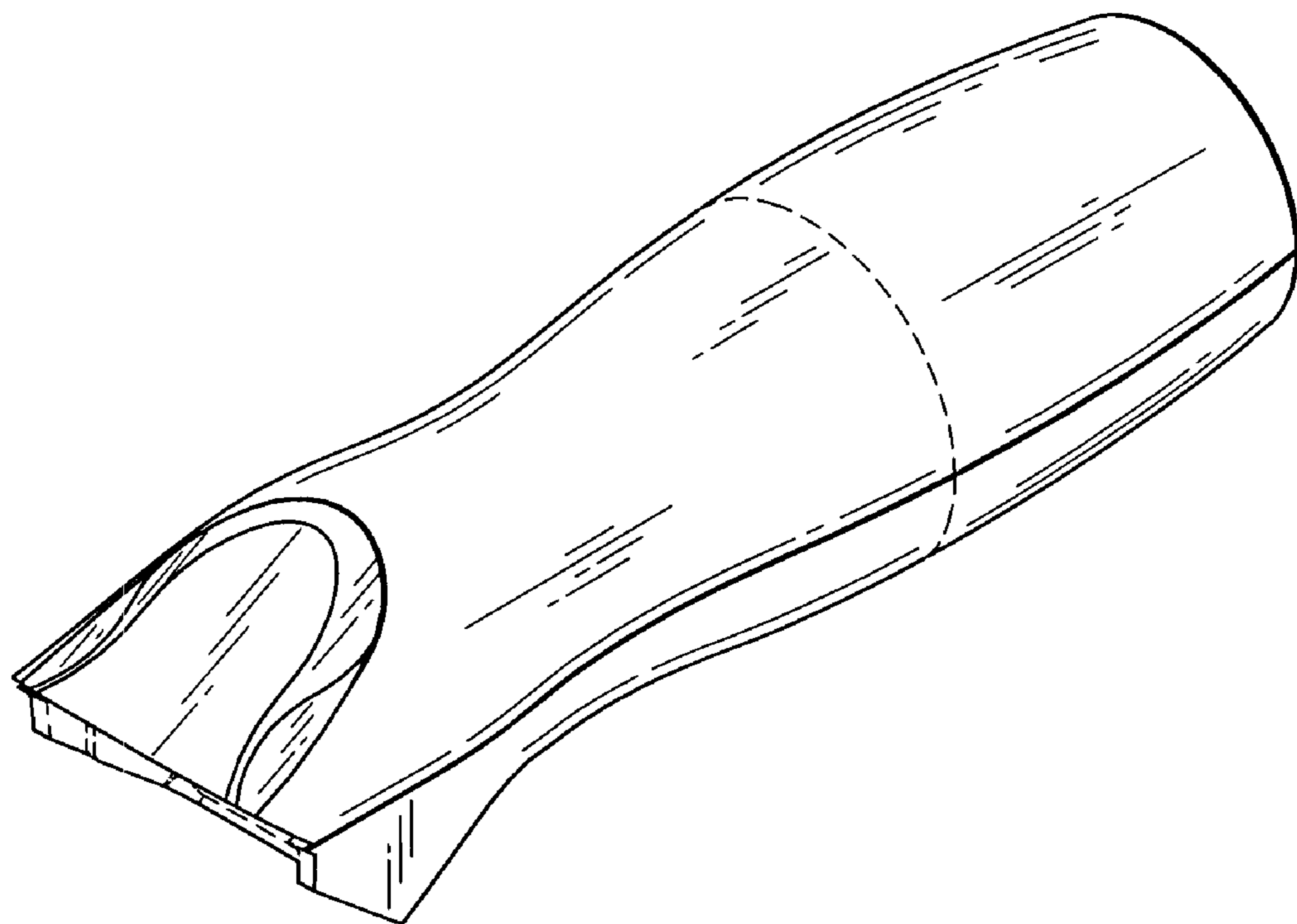


FIG. 8

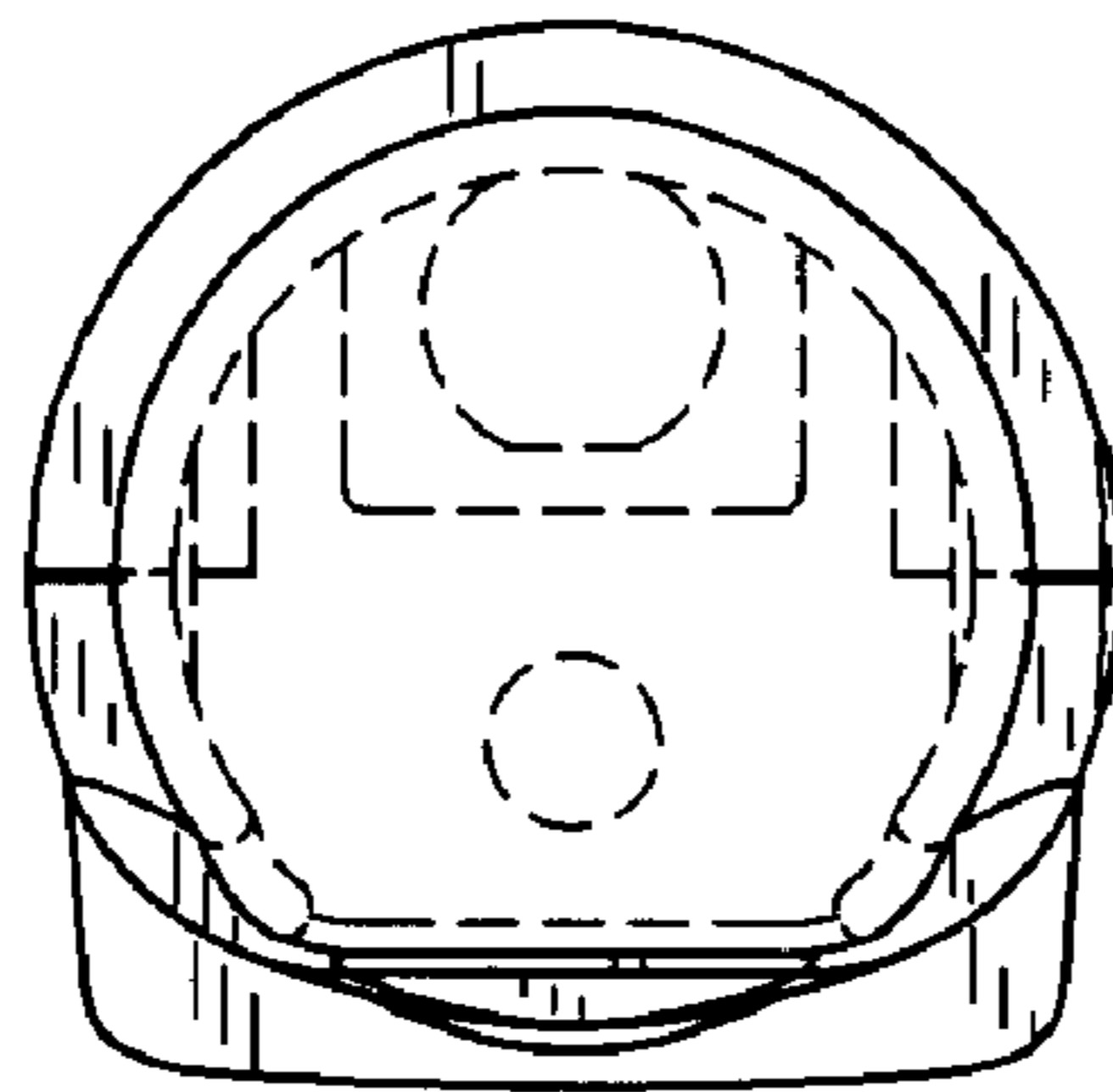


FIG. 9

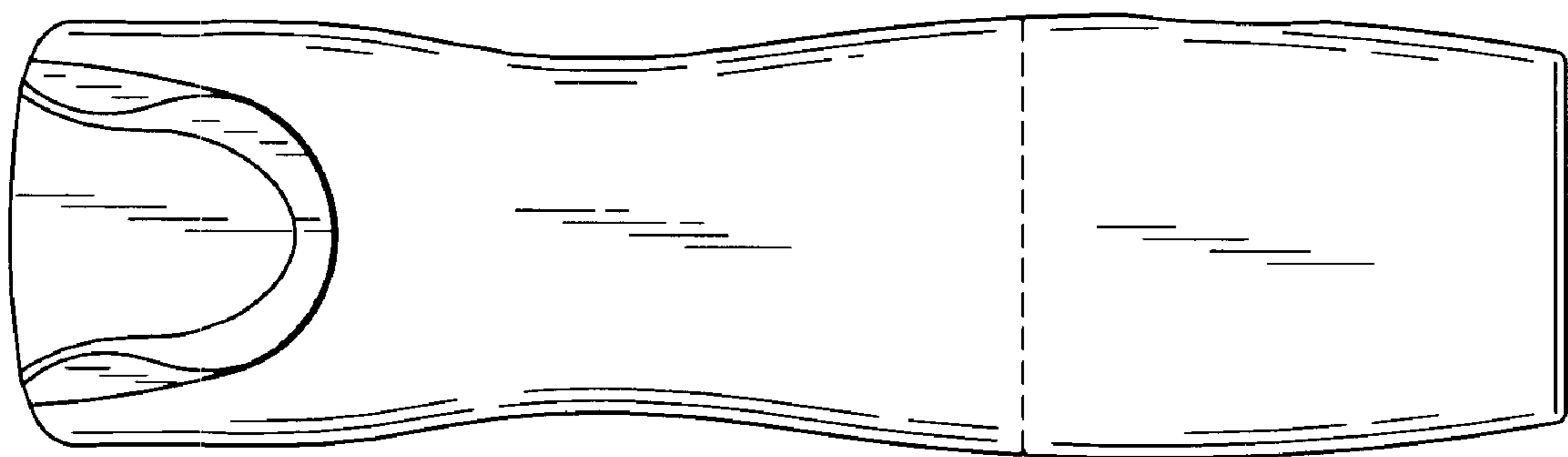


FIG. 10

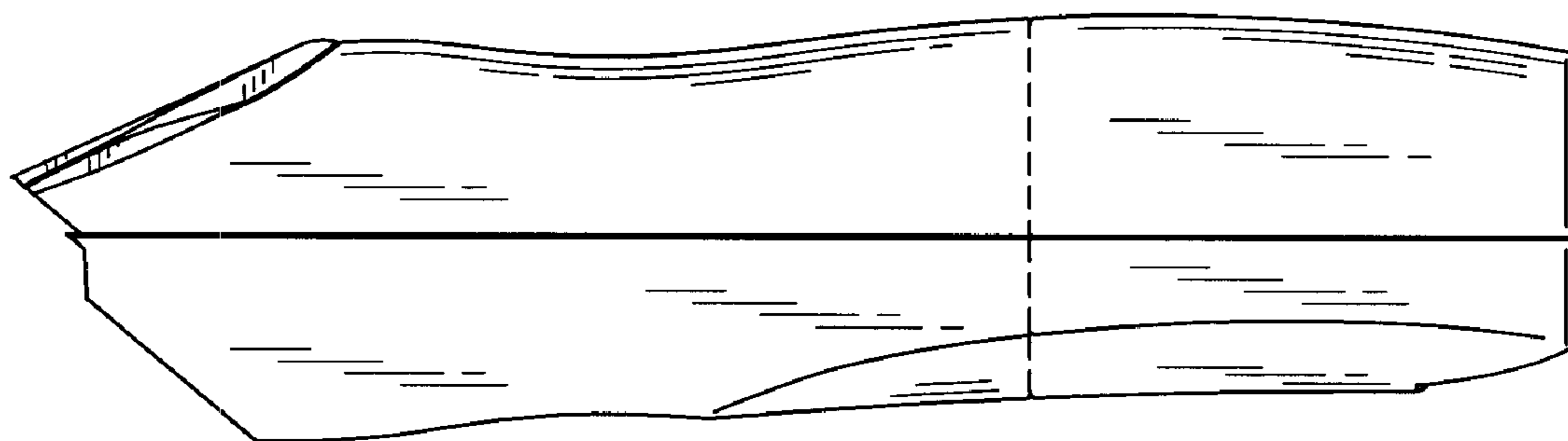


FIG. 11

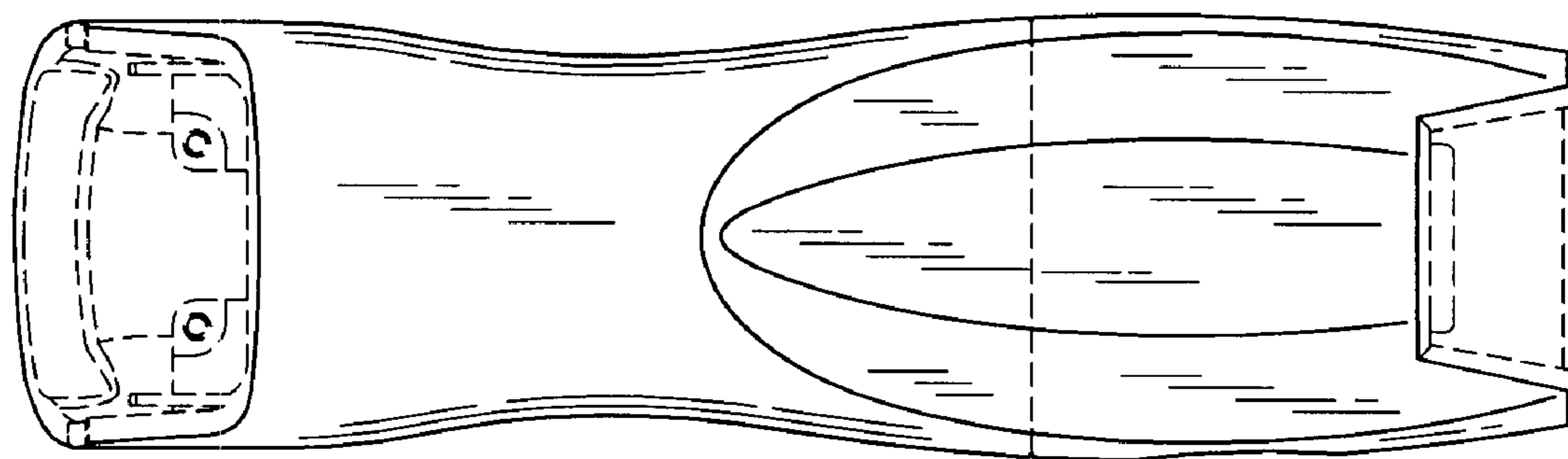


FIG. 12

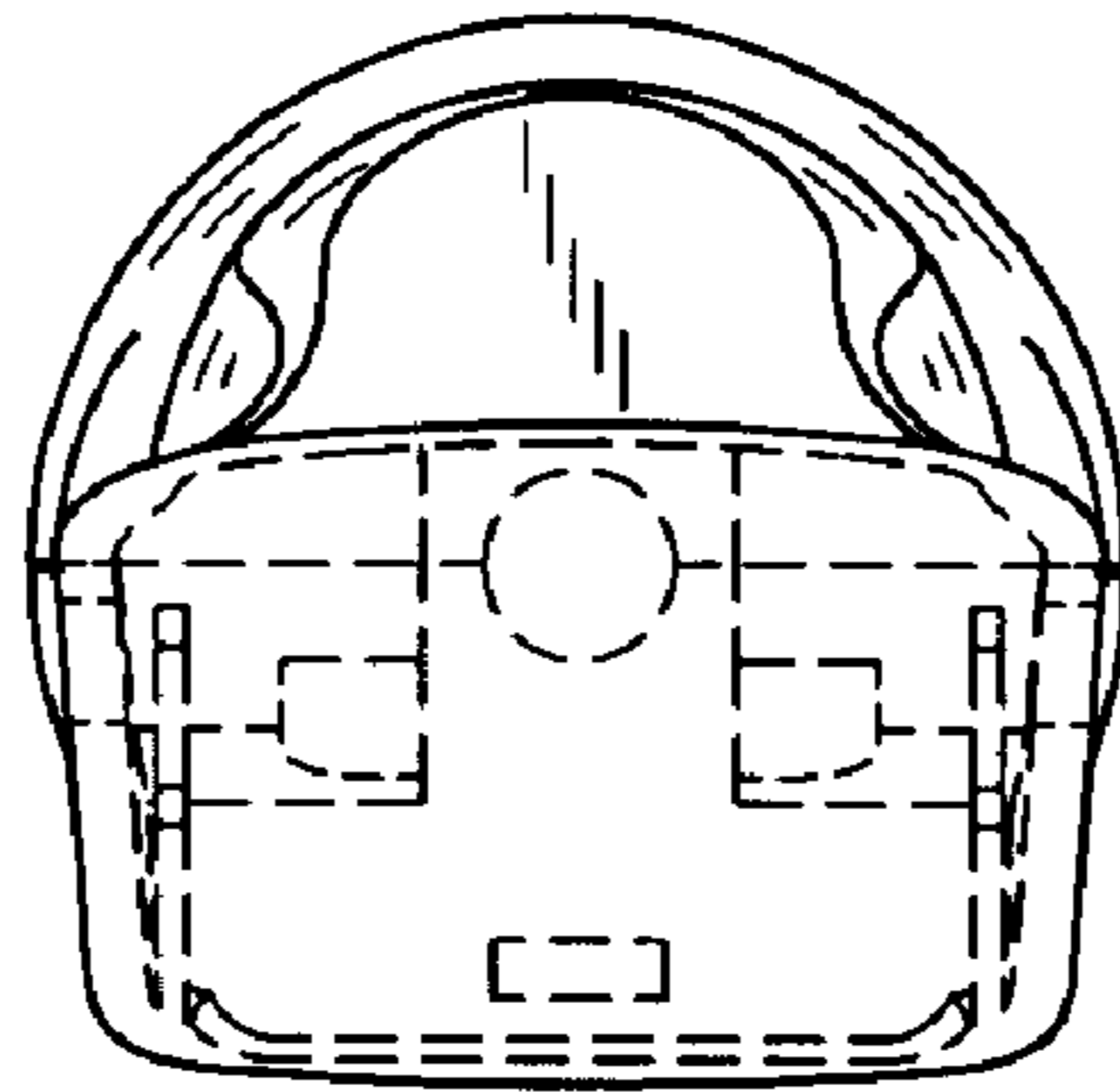


FIG. 13

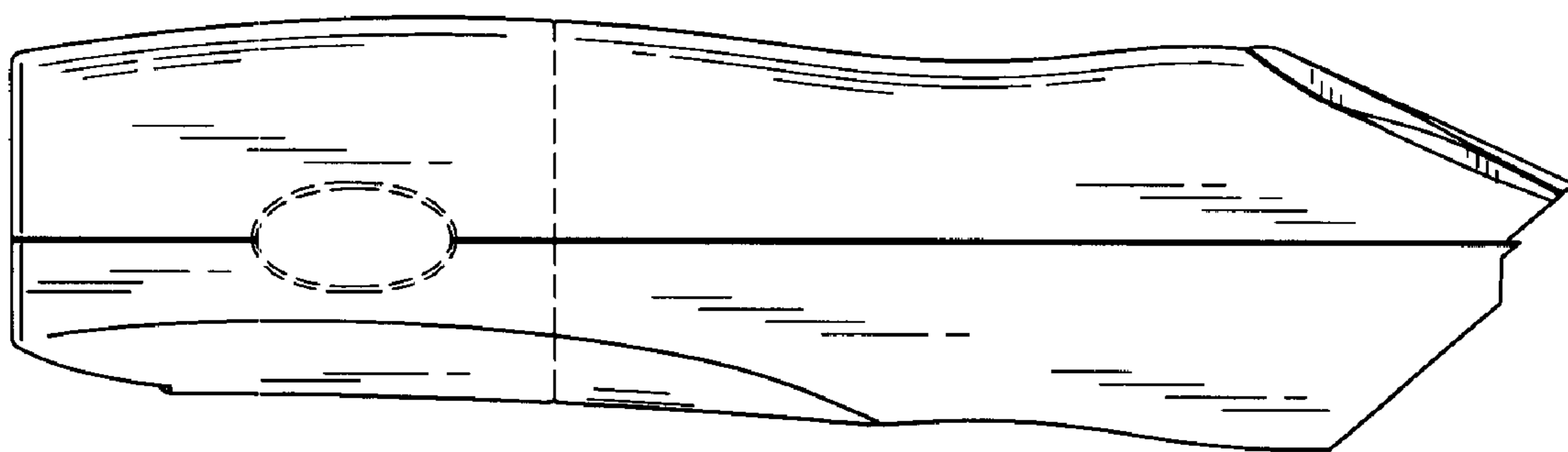


FIG. 14