



US00D537565S

(12) **United States Design Patent**  
**Shin**

(10) **Patent No.:** **US D537,565 S**

(45) **Date of Patent:** **\*\* Feb. 27, 2007**

(54) **HAIR DRYER**

(76) Inventor: **Kil Seung Shin**, #1060-5, Wolmun-1li,  
Wabu-eup, Namyangju-si, Gyeonggi-do  
(KR)

(\*\*) Term: **14 Years**

(21) Appl. No.: **29/238,403**

(22) Filed: **Sep. 15, 2005**

(51) **LOC (8) Cl.** ..... **28-03**

(52) **U.S. Cl.** ..... **D28/13**

(58) **Field of Classification Search** ..... D28/12-19;  
34/96-101; 392/380, 381, 382, 383, 384,  
392/385; 219/222

See application file for complete search history.

(56) **References Cited**

**U.S. PATENT DOCUMENTS**

D239,883	S	*	5/1976	Long et al.	.....	D28/13
4,132,360	A	*	1/1979	Lee, Jr.	.....	239/383
4,195,217	A	*	3/1980	Moller et al.	.....	392/384
4,198,558	A	*	4/1980	Benty	.....	392/384
D258,014	S	*	1/1981	Lam	.....	D28/13
4,366,368	A	*	12/1982	Stephens, III	.....	392/385
D280,338	S	*	8/1985	Skarsten	.....	D8/29.1

4,903,416	A	*	2/1990	Levin et al.	.....	34/97
D396,127	S	*	7/1998	Schepisi	.....	D28/18
D425,243	S	*	5/2000	Mattis	.....	D28/13
D455,227	S	*	4/2002	Micinilio	.....	D28/13
2001/0025430	A1	*	10/2001	Sakamoto	.....	34/96
2004/0078992	A1	*	4/2004	Fujiwara	.....	34/96

\* cited by examiner

*Primary Examiner*—Janice Seeger

*Assistant Examiner*—Zenia I Bennett

(74) *Attorney, Agent, or Firm*—Osha Liang LLP

(57) **CLAIM**

The ornamental design for a hair dryer, as shown and described.

**DESCRIPTION**

FIG. 1 is a prescriptive view of a hair dryer showing my new design;

FIG. 2 is a top view of a hair dryer;

FIG. 3 is a bottom view of a hair dryer;

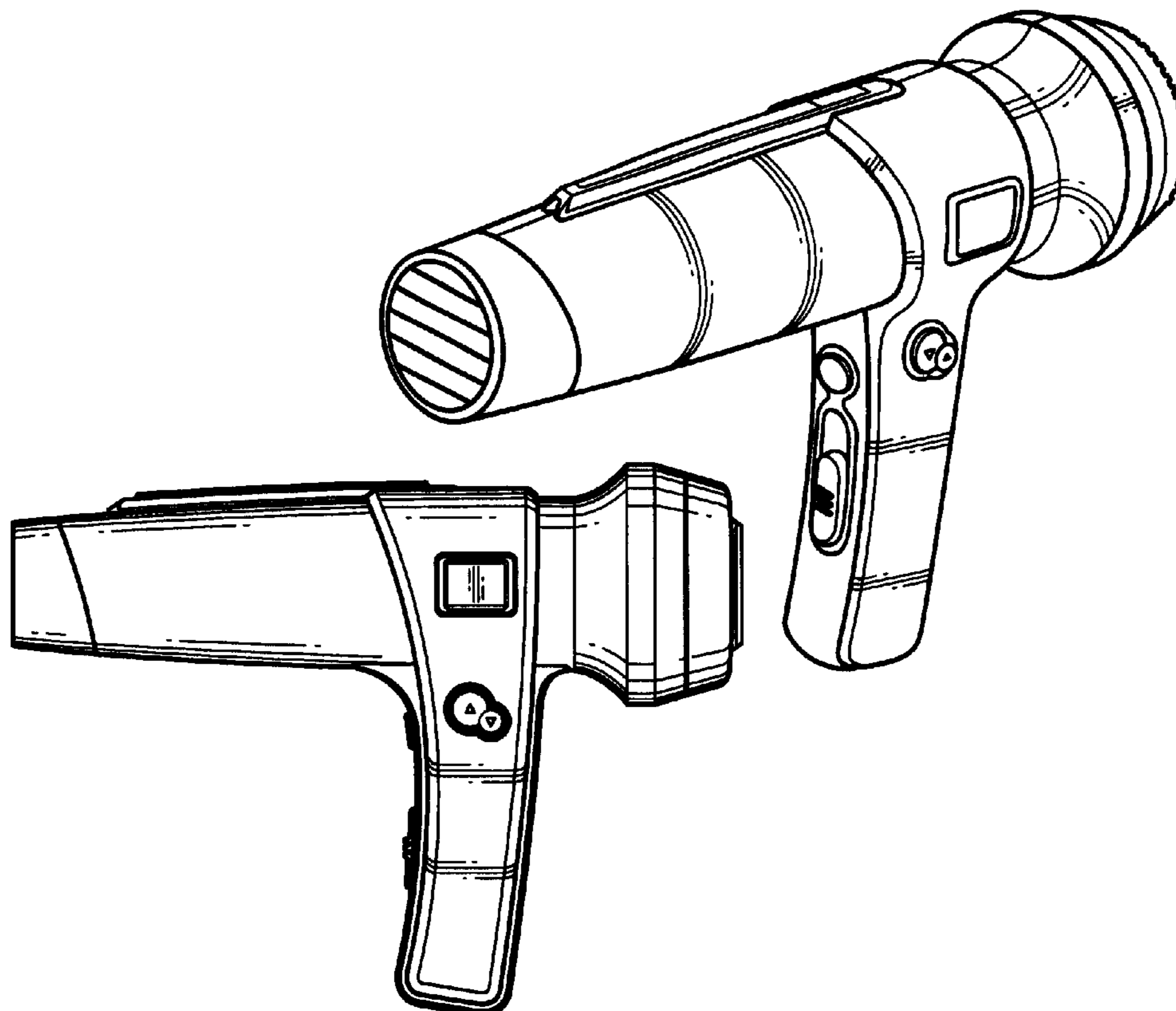
FIG. 4 is a left view of a hair dryer;

FIG. 5 is a right view of a hair dryer;

FIG. 6 is a front view of a hair dryer; and,

FIG. 7 is a rear view of a hair dryer.

**1 Claim, 3 Drawing Sheets**



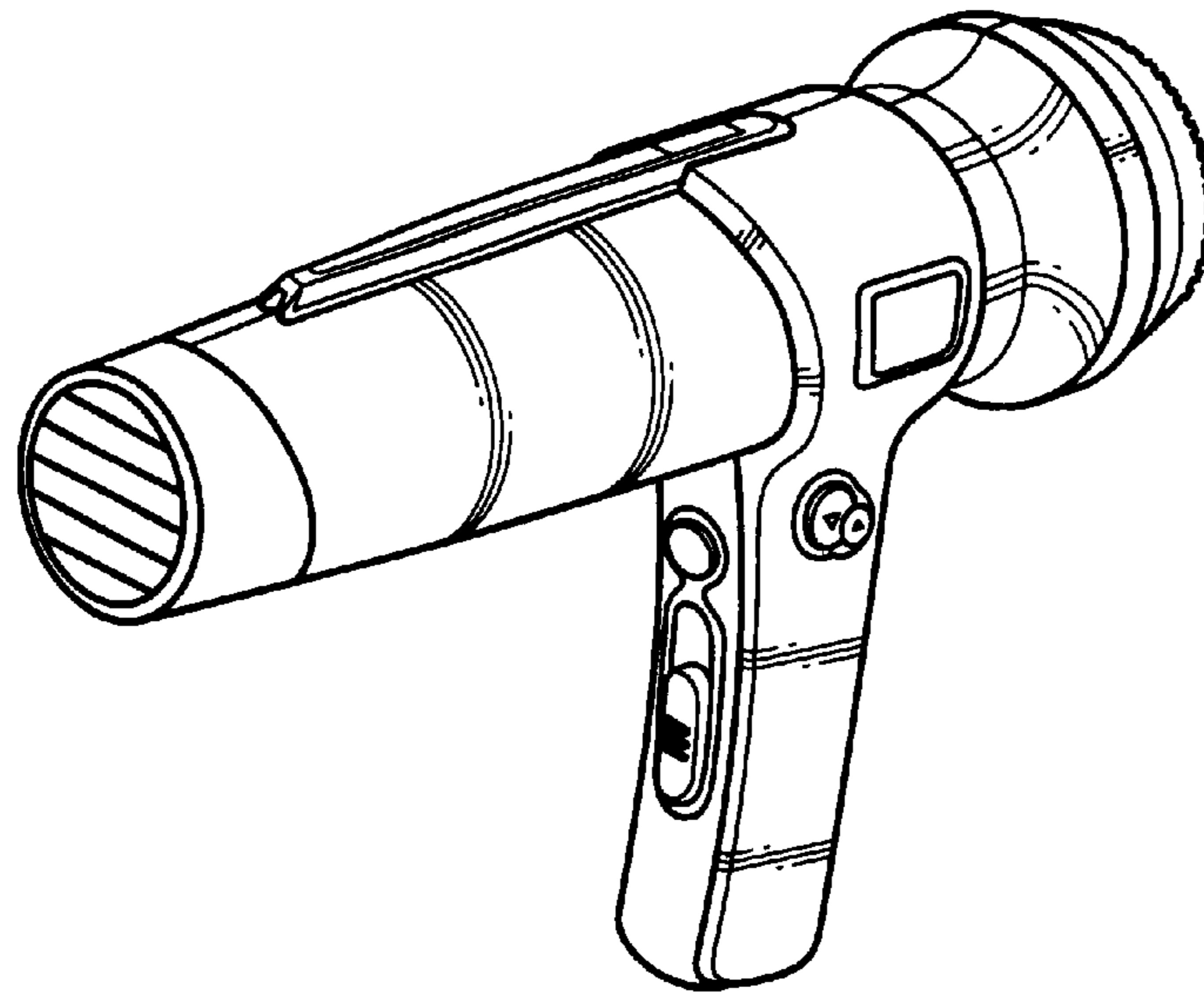


FIG. 1

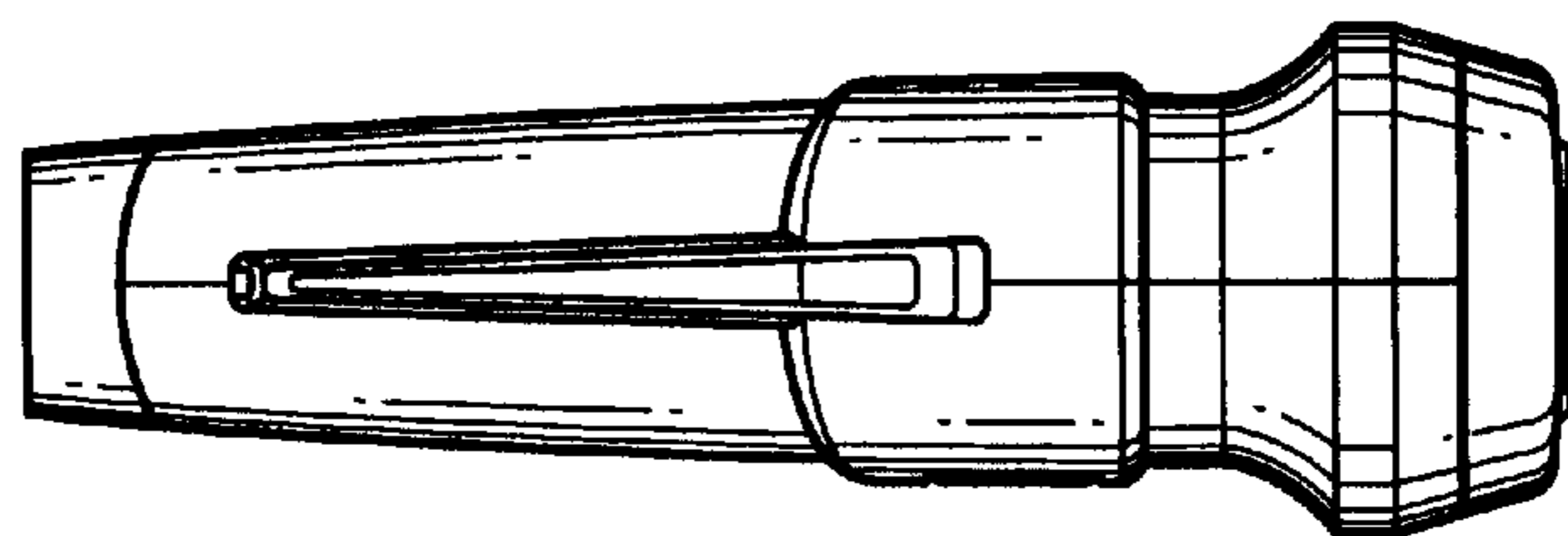


FIG. 2

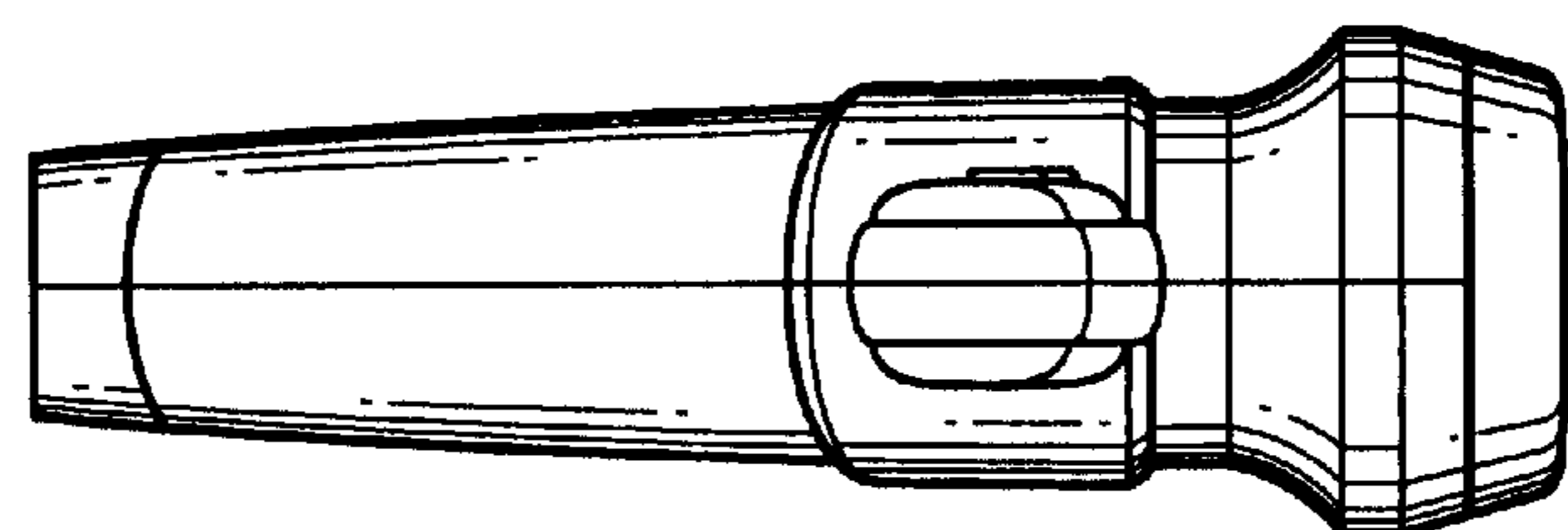
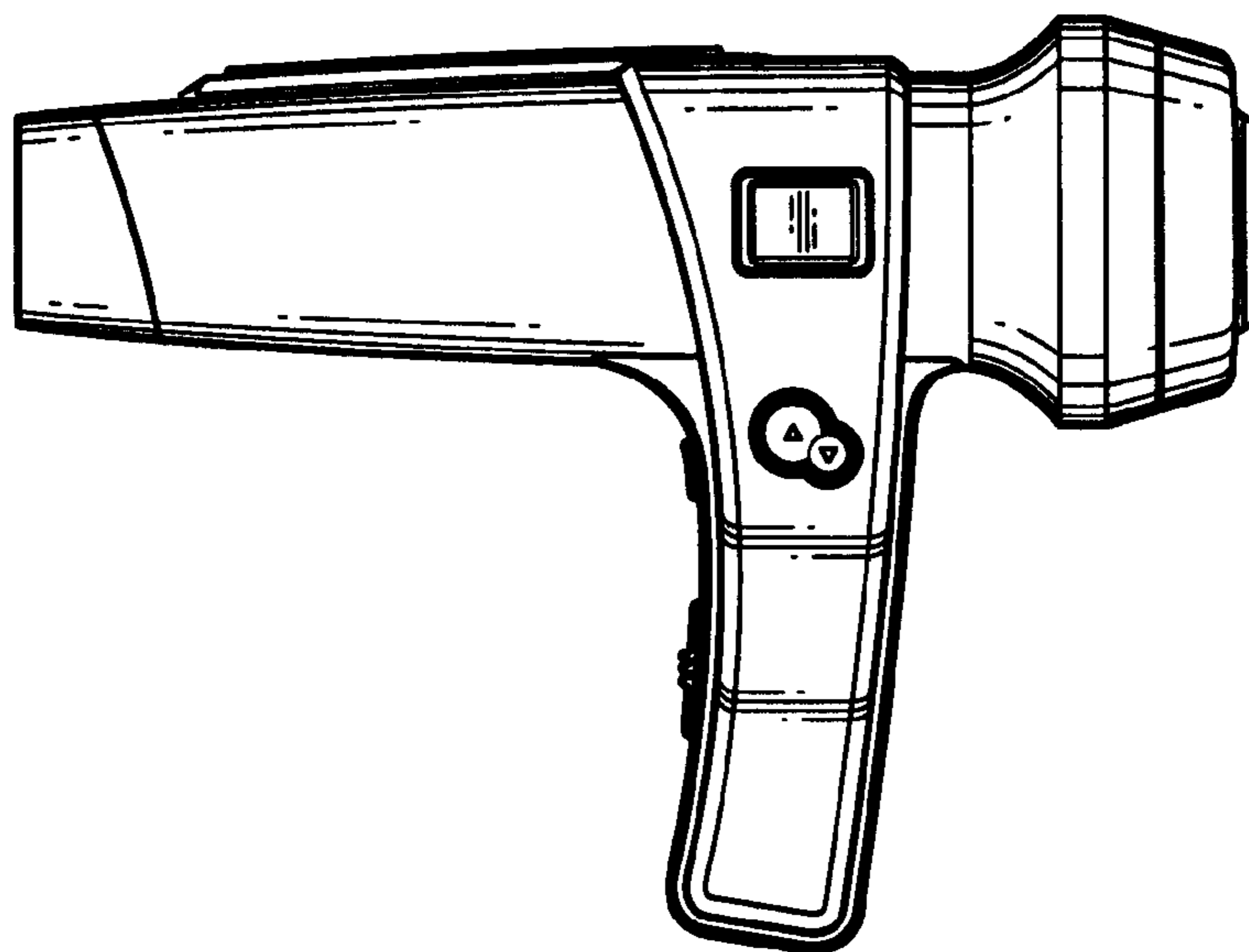
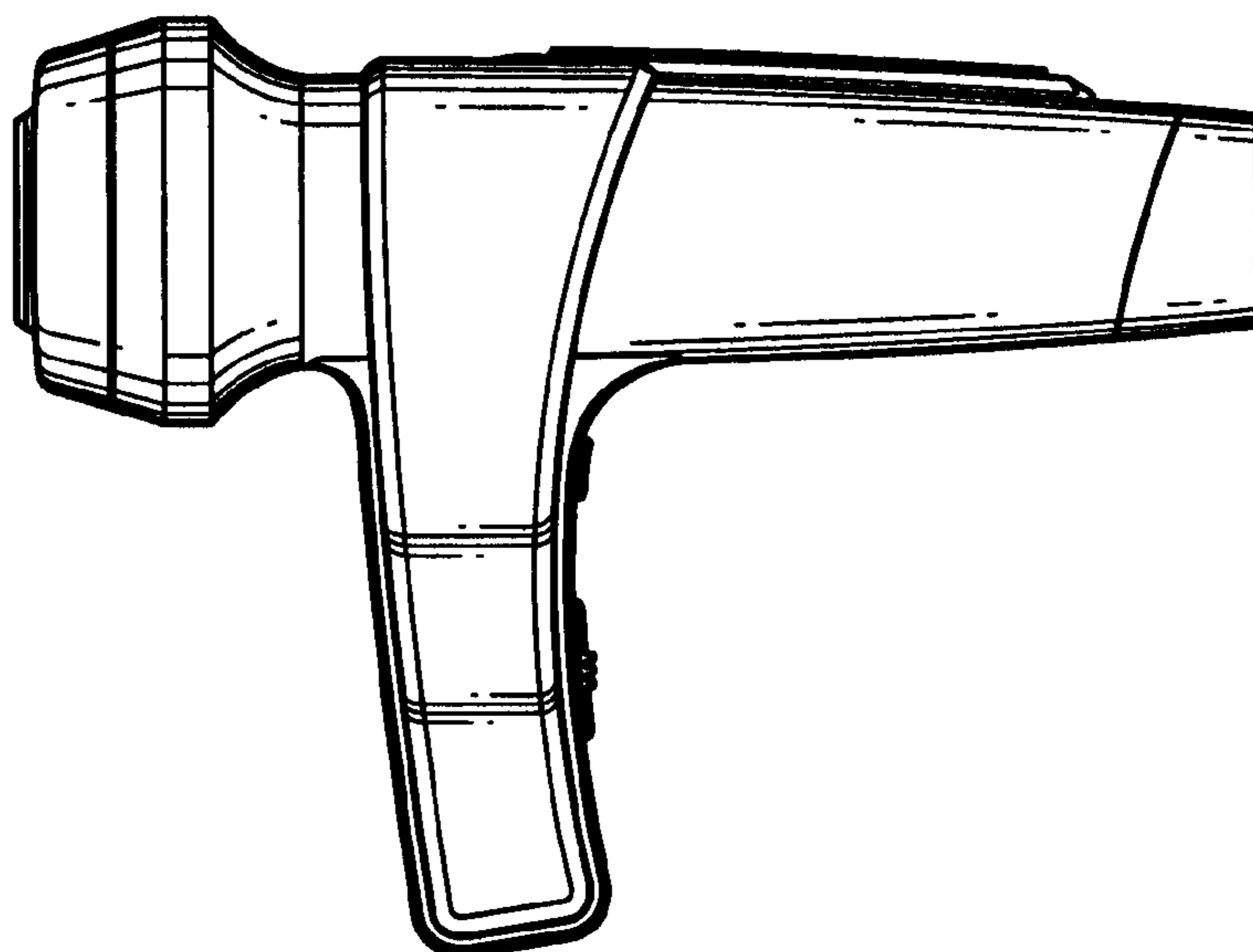


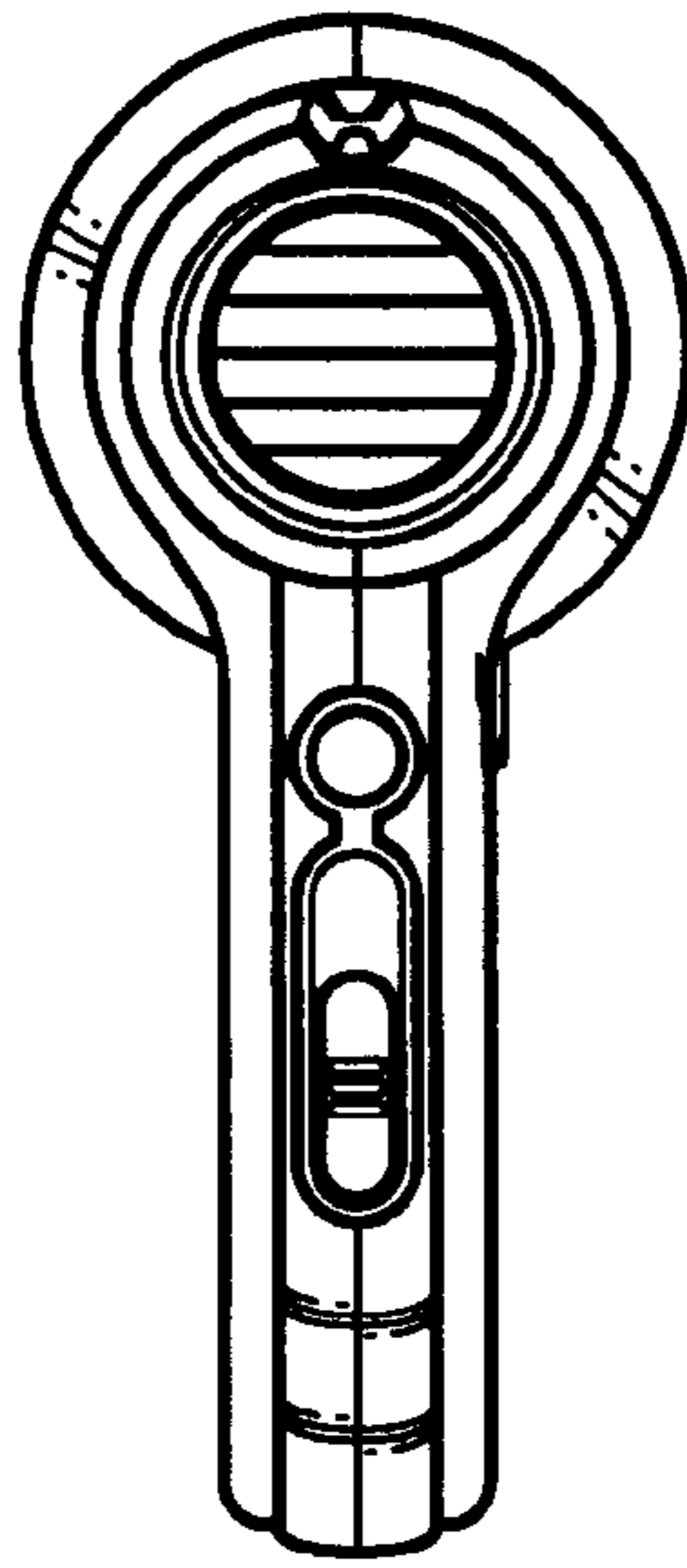
FIG. 3



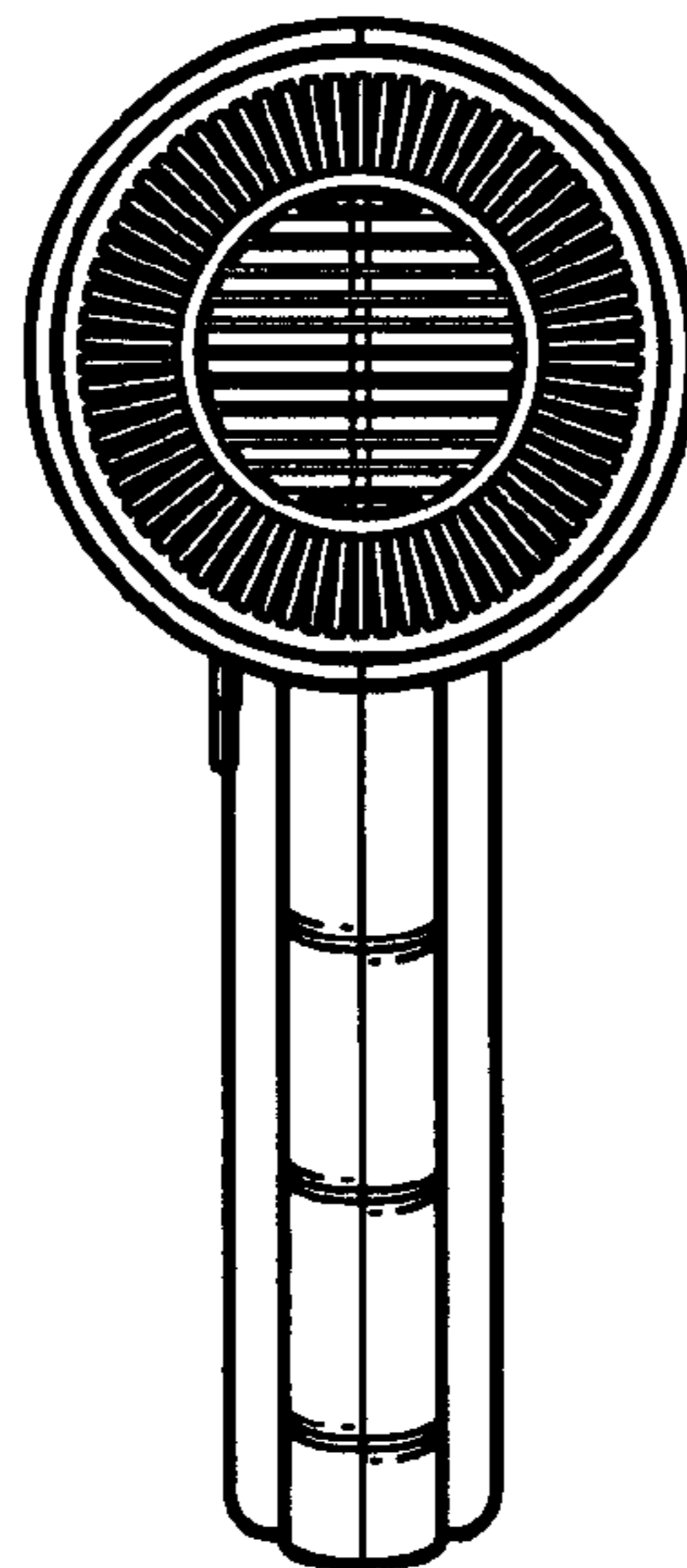
**FIG. 4**



**FIG. 5**



**FIG. 6**



**FIG. 7**