



US00D537561S

(12) **United States Design Patent**  
**Counts et al.**

(10) **Patent No.: US D537,561 S**  
(45) **Date of Patent: \*\* Feb. 27, 2007**

(54) **TWO SHELL AND SLIDE CIGARETTE  
PACKS JOINED SIDE-TO-SIDE WITH  
OUTERWRAP**

(75) Inventors: **Mary Ellen Counts**, Richmond, VA  
(US); **Barry S. Smith**, Hopewell, VA  
(US); **Xuan M. Pham**, Glen Allen, VA  
(US)

(73) Assignee: **Philip Morris USA Inc.**, Richmond,  
VA (US)

(\*\*) Term: **14 Years**

(21) Appl. No.: **29/228,772**

(22) Filed: **Apr. 28, 2005**

(51) **LOC (8) Cl.** ..... **27-06**

(52) **U.S. Cl.** ..... **D27/189**

(58) **Field of Classification Search** ..... 206/236-242,  
206/245, 246, 248, 256-259, 261-275; D27/186,  
D27/189, 191; 229/160.1; D9/430

See application file for complete search history.

(56) **References Cited**

**U.S. PATENT DOCUMENTS**

- 1,863,190 A \* 6/1932 Coulapides ..... 206/256
- 2,046,484 A \* 7/1936 Ringler ..... 206/256
- 3,007,623 A 11/1961 Clemens
- 3,226,010 A 12/1965 Rogers
- 4,586,605 A 5/1986 Newsome
- 4,932,534 A \* 6/1990 Focke et al. .... 206/273

2006/0070896 A1 \* 4/2006 Focke et al. .... 206/248

**FOREIGN PATENT DOCUMENTS**

WO WO-03/064270 A2 8/2003

\* cited by examiner

*Primary Examiner*—Jennifer Rivard

(74) *Attorney, Agent, or Firm*—Connolly Bove Lodge &  
Hutz LLP

(57) **CLAIM**

An ornamental design for a two shell and slide cigarette  
packs joined side-to-side with outerwrap, as shown and  
described.

**DESCRIPTION**

FIG. 1 is a perspective view of two shell and slide cigarette  
packs joined side-to-side with outerwrap, showing our new  
design;

FIG. 2 is a left side elevational view thereof without  
outerwrap, the right side elevational view being identical;

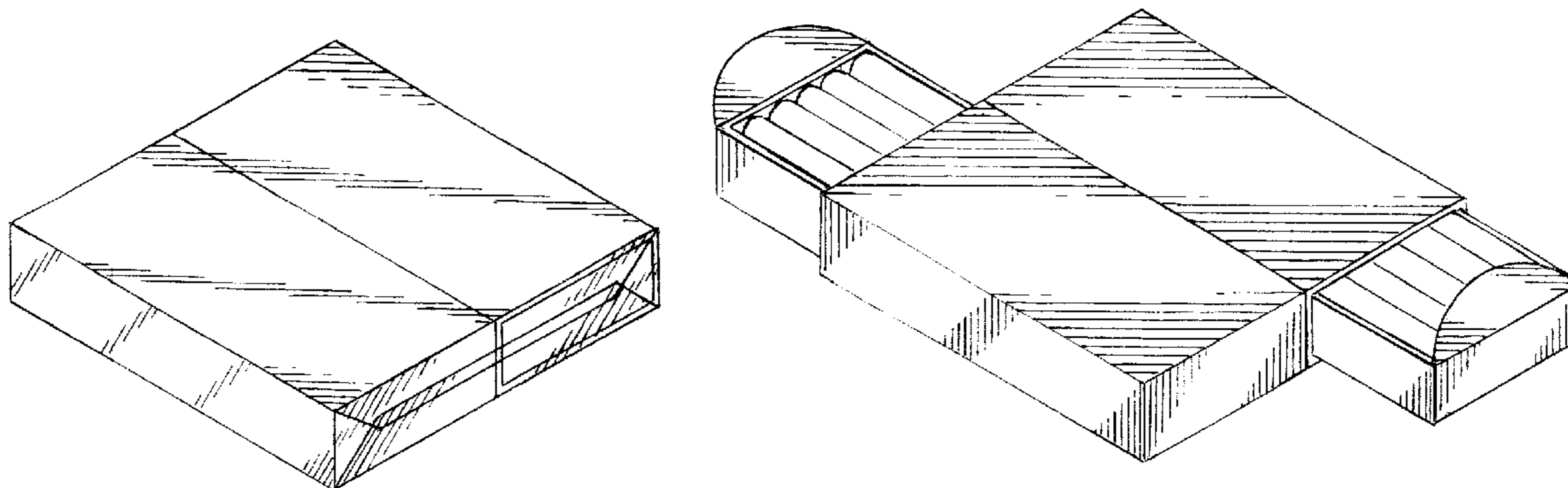
FIG. 3 is a rear elevational view thereof without outerwrap;

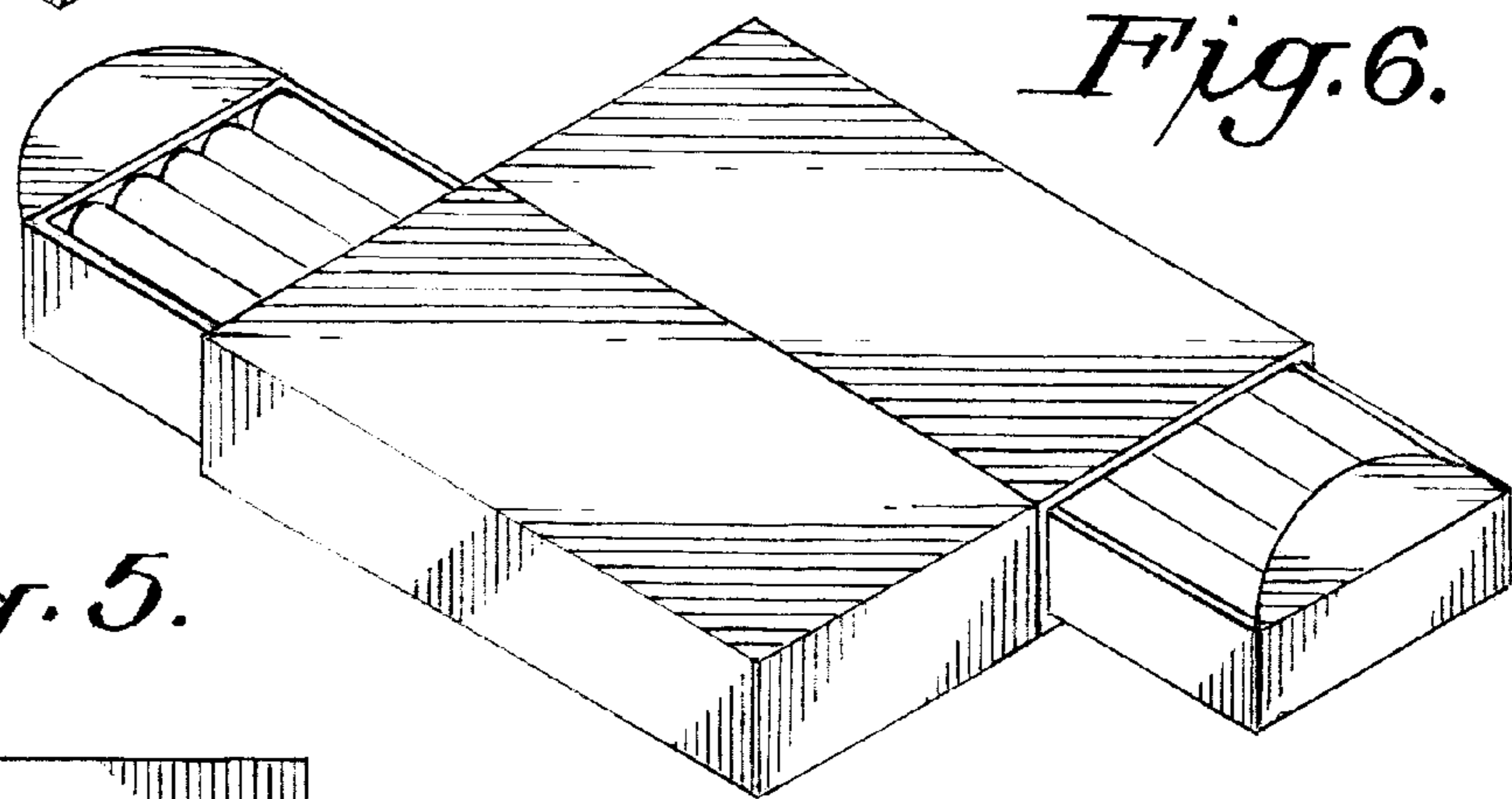
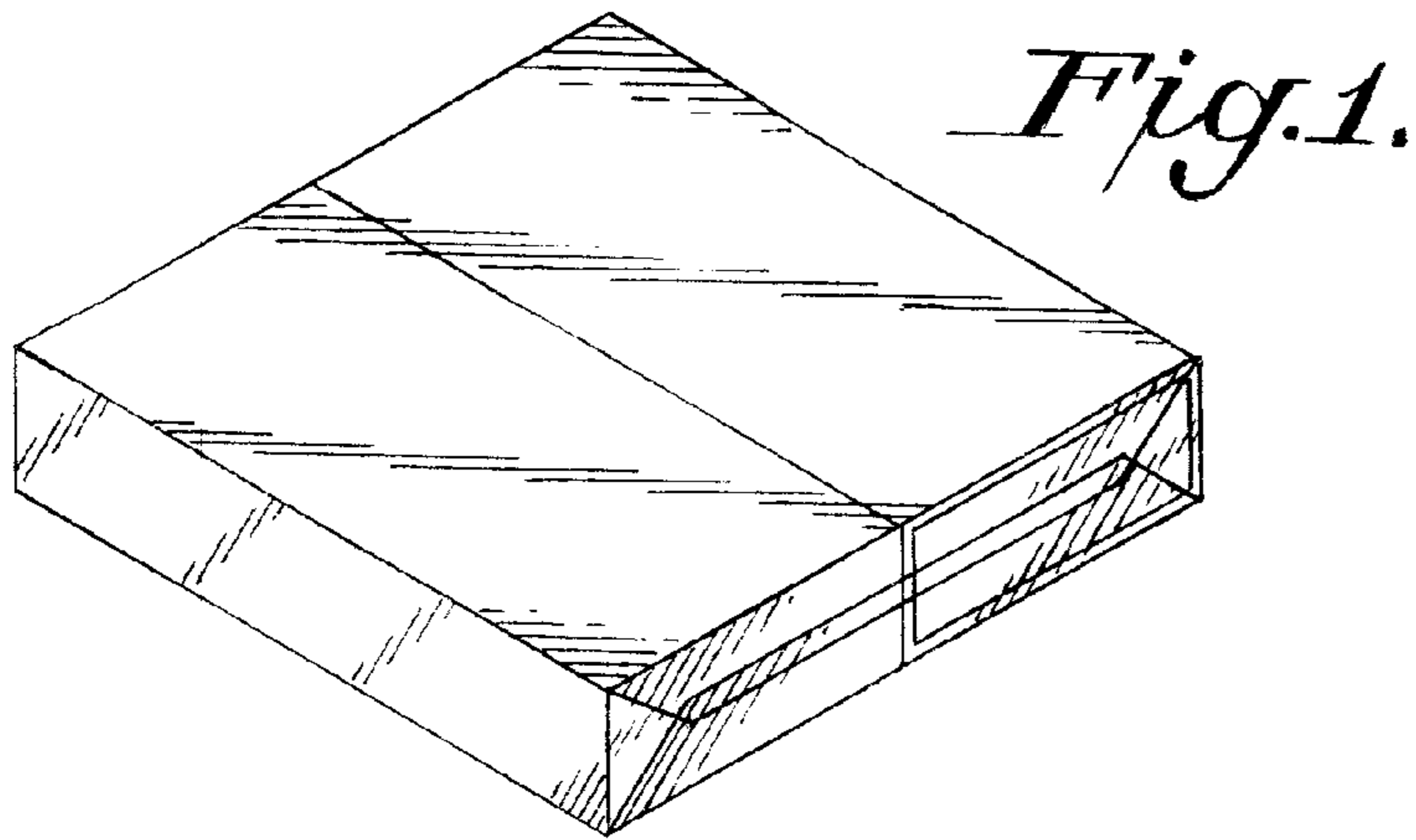
FIG. 4 is a front elevational view thereof without outerwrap;

FIG. 5 is a top plan view thereof without outerwrap, the  
bottom plan view being identical; and,

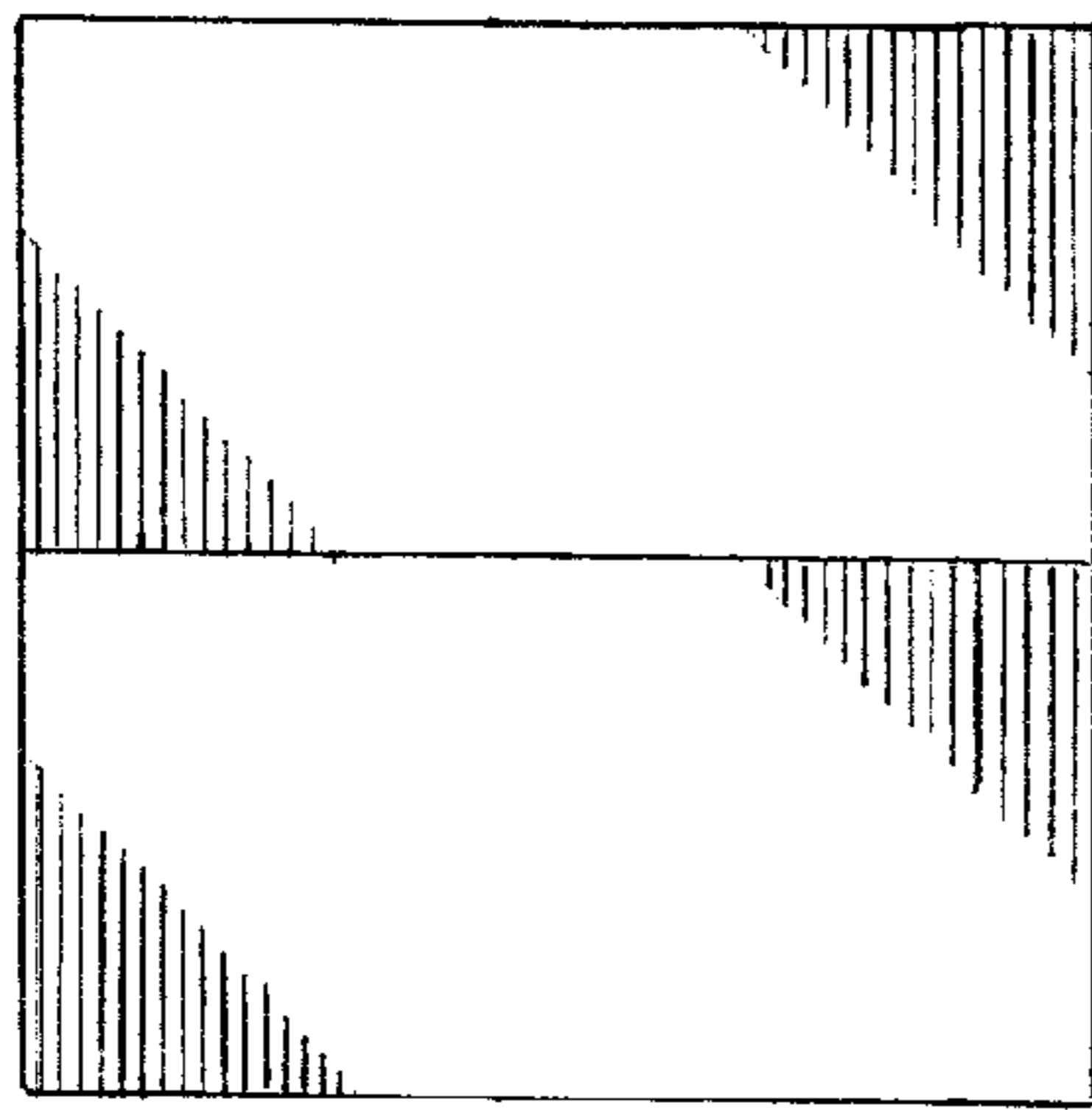
FIG. 6 is a perspective view of two shell and slide cigarette  
packs joined side-to-side with outerwrap with the slide of  
each pack outwardly of the shell, showing our new design.  
The outerwrap has been removed from the disclosures of  
FIGS. 2-6 for convenience of illustration.

**1 Claim, 1 Drawing Sheet**





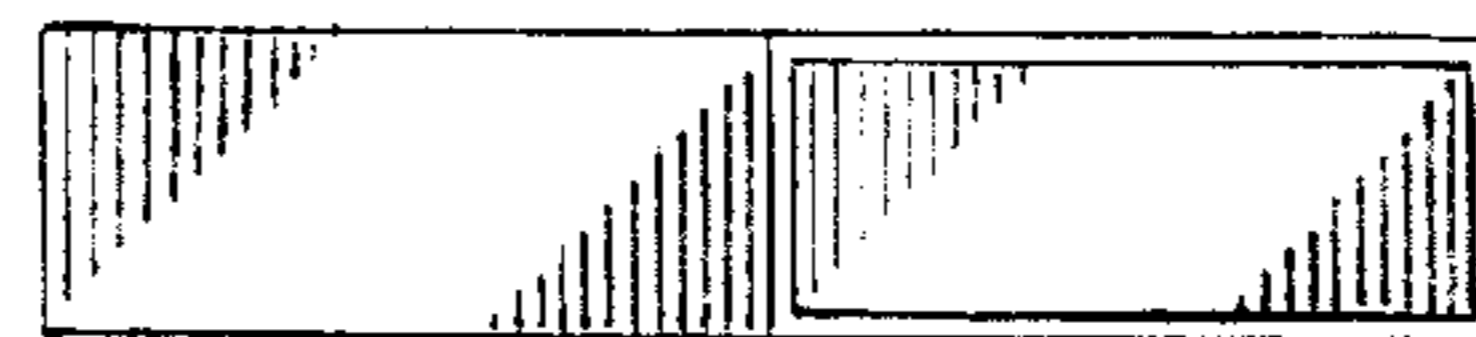
*Fig. 5.*



*Fig. 2.*



*Fig. 4.*



*Fig. 3.*



UNITED STATES PATENT AND TRADEMARK OFFICE  
**CERTIFICATE OF CORRECTION**

PATENT NO. : Des. 537,561 S  
APPLICATION NO. : 29/228772  
DATED : February 27, 2007  
INVENTOR(S) : Mary E. Counts et al.

Page 1 of 1

It is certified that error appears in the above-identified patent and that said Letters Patent is hereby corrected as shown below:

On Title Page

In the Description: Line 11, “packs joined side-to-side with outerwrap with the slide” should read -- packs joined side-to-side without outerwrap with the slide--.

Signed and Sealed this

Eighth Day of May, 2007

A handwritten signature in black ink on a light gray dotted background. The signature reads "Jon W. Dudas" in a cursive style.

JON W. DUDAS

*Director of the United States Patent and Trademark Office*