

US00D537556S

(12) **United States Design Patent**
Summerford et al.

(10) **Patent No.:** **US D537,556 S**

(45) **Date of Patent:** **** Feb. 27, 2007**

(54) **LUMINAIRE POST-TOP MOUNT**

(75) Inventors: **Robert L. Summerford**, Selma, TX
(US); **Claude Barozzini**, Austin, TX
(US); **Mike Joss**, Chicago, IL (US)

(73) Assignee: **Genlyte Thomas Group, LLC**,
Louisville, KY (US)

(**) Term: **14 Years**

(21) Appl. No.: **29/208,050**

(22) Filed: **Jun. 23, 2004**

(51) **LOC (8) Cl.** **26-99**

(52) **U.S. Cl.** **D26/142**

(58) **Field of Classification Search** D26/63,
D26/69, 70, 67, 68, 71, 72, 80-82, 92, 138,
D26/118, 152, 153, 142, 144; 362/147, 153,
362/382, 431, 345; D8/373; D6/556
See application file for complete search history.

(56) **References Cited**

U.S. PATENT DOCUMENTS

D81,452 S * 6/1930 Osborn D26/141
D191,128 S * 8/1961 Curtin et al. D26/67
D195,584 S * 7/1963 D'Ercoli D26/70
3,156,418 A * 11/1964 Jablonski et al. 52/28

3,170,634 A * 2/1965 Harling 362/223
D407,842 S * 4/1999 Landefeld D26/68
D412,037 S * 7/1999 Compton D26/2
D444,584 S * 7/2001 Landefeld D26/67
D481,158 S * 10/2003 Cline D26/138
D481,159 S * 10/2003 Walker D26/138
D487,600 S * 3/2004 Fickas D26/138

* cited by examiner

Primary Examiner—Freda S. Nunn

Assistant Examiner—Kevin K. Rudzinski

(74) *Attorney, Agent, or Firm*—Steve A. Witters; Middleton
Reutlinger

(57) **CLAIM**

The ornamental design for a luminaire post-top mount, as shown and described.

DESCRIPTION

FIG. 1 is a perspective view for a luminaire post-top mount showing our new design;

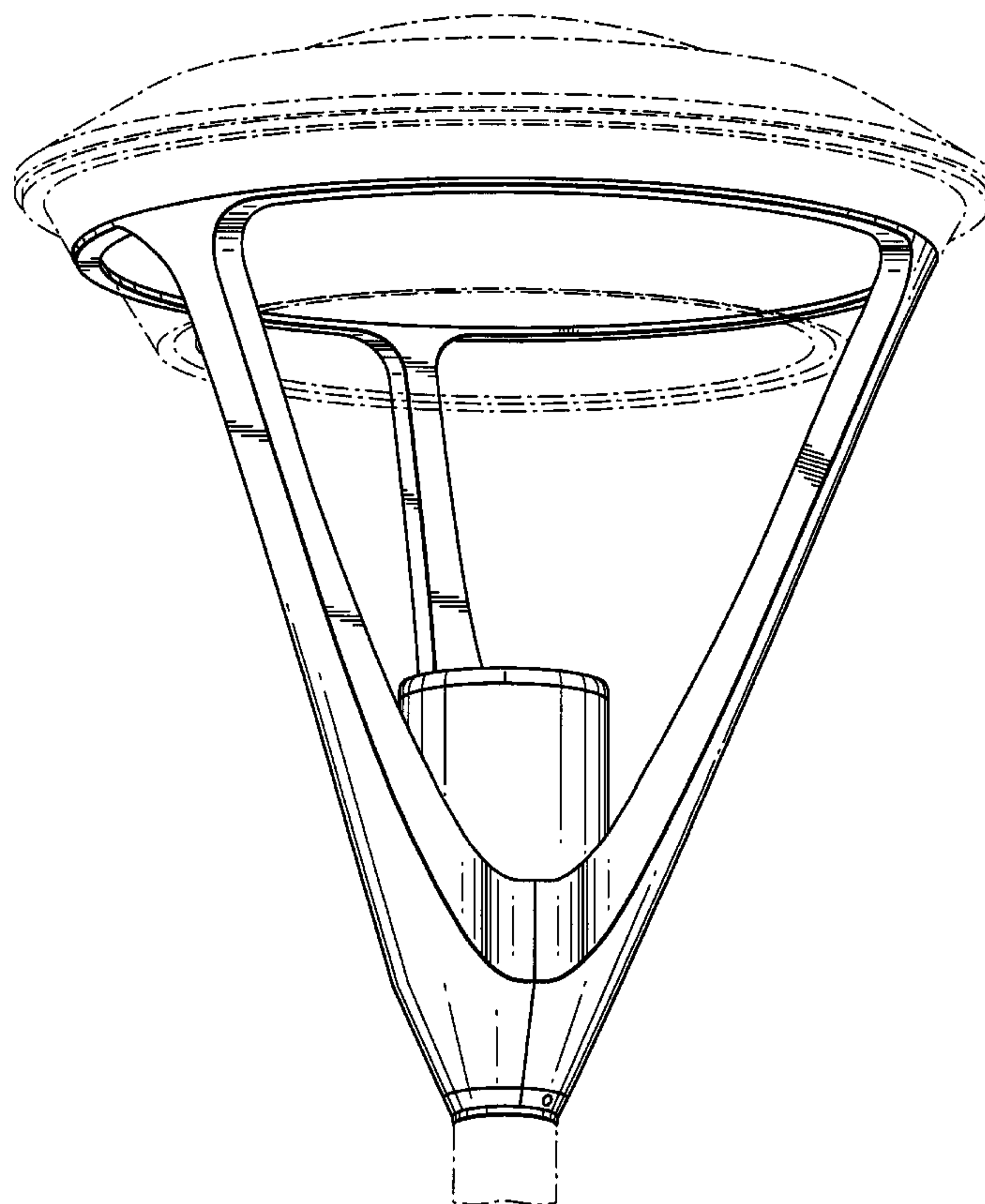
FIG. 2 is a side view thereof;

FIG. 3 is a top view thereof; and,

FIG. 4 is a bottom view thereof.

The broken line showing of a luminaire is for illustrative purposes only and forms no part of the claimed design.

1 Claim, 4 Drawing Sheets



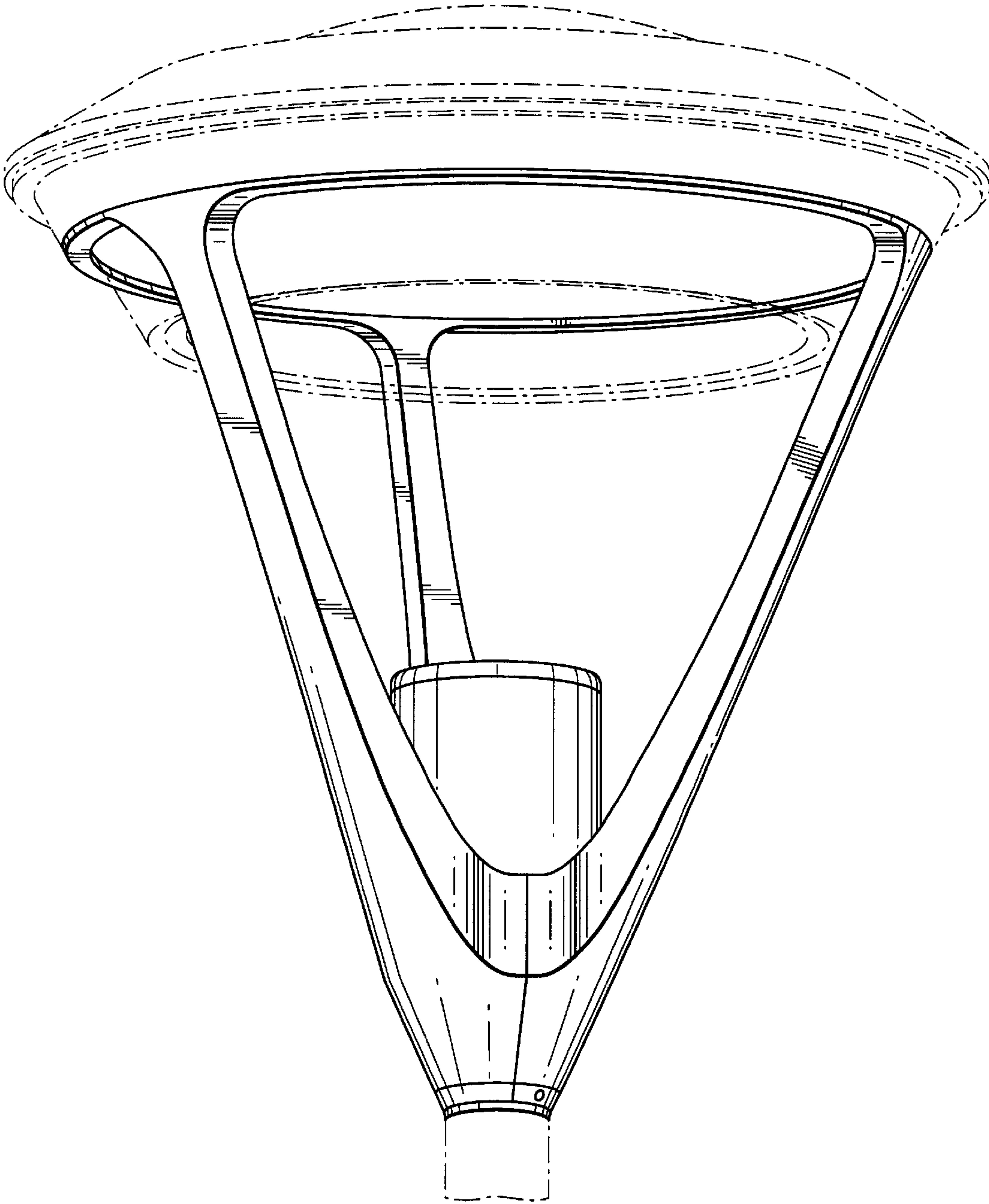


FIG. 1

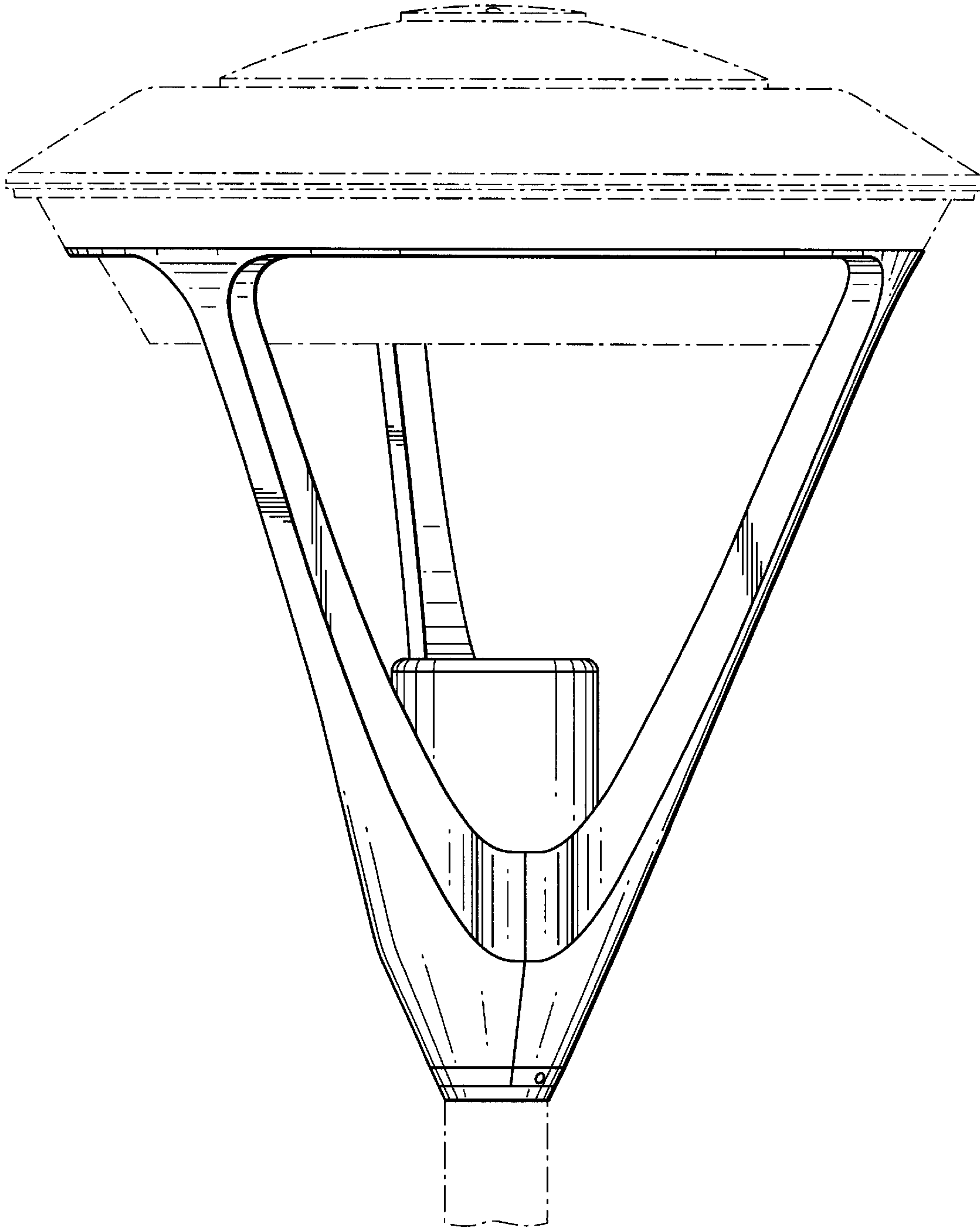


FIG. 2

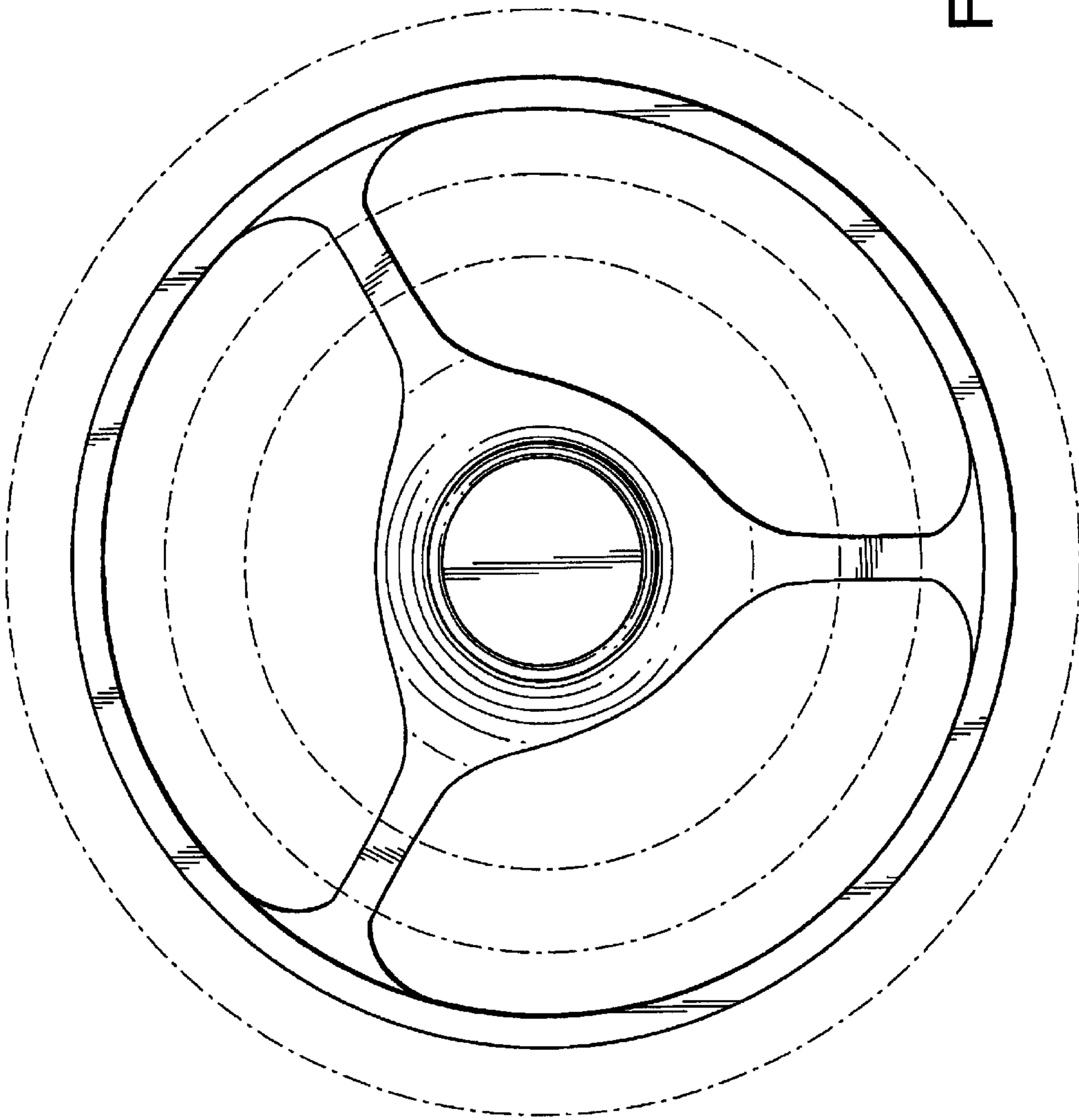


FIG. 3

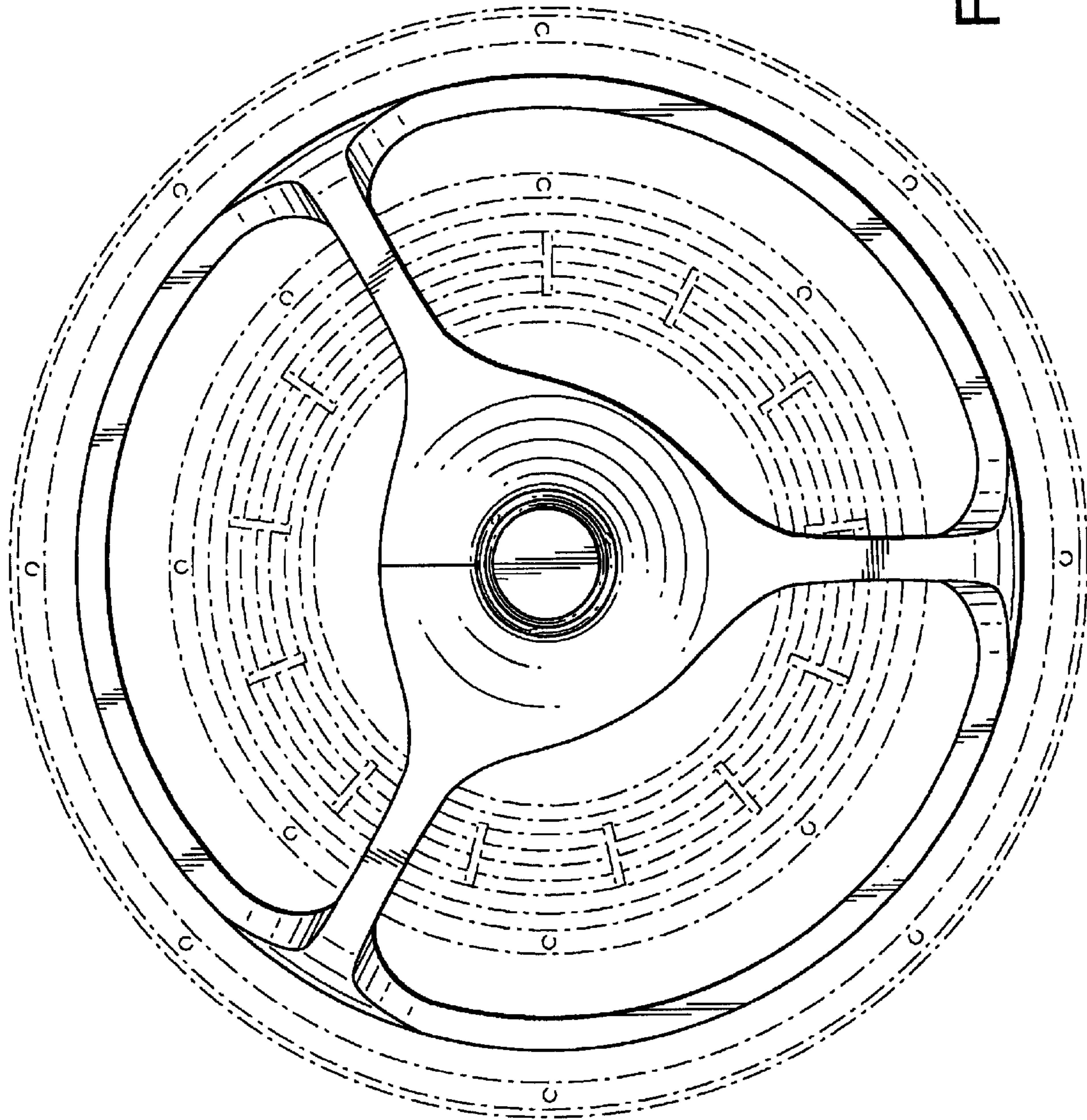


FIG. 4