



US00D537553S

(12) **United States Design Patent**
Kotovskiy et al.

(10) **Patent No.:** **US D537,553 S**

(45) **Date of Patent:** **** Feb. 27, 2007**

(54) **LIGHTING APPARATUS**

D128,786 S * 8/1941 McCann D26/90
D505,221 S * 5/2005 Hetfield D26/76

(75) Inventors: **Irwin Kotovskiy**, 3941 California Ave.,
Pittsburgh, PA (US) 15212; **Serge**
Cornelissen, Roeselare (BE); **Robert**
Cornelissen, Roeselare (BE)

* cited by examiner

Primary Examiner—Clare E Heflin

(74) *Attorney, Agent, or Firm*—Ansel M. Schwartz

(73) Assignee: **Irwin Kotovskiy**, Pittsburgh, PA (US)

(**) Term: **14 Years**

(57) **CLAIM**

We claim the ornamental design for the lighting apparatus,
as shown and described.

(21) Appl. No.: **29/202,391**

(22) Filed: **Mar. 30, 2004**

DESCRIPTION

(51) **LOC (8) Cl.** **26-05**

FIG. 1 is a front perspective view of a lighting apparatus
showing my new design;

(52) **U.S. Cl.** **D26/75; D26/76**

FIG. 2 is a top elevational view thereof;

(58) **Field of Classification Search** D26/74-78,
D26/72, 80, 85; 362/217-225

FIG. 3 is a right side elevational view thereof;

See application file for complete search history.

FIG. 4 is a bottom elevational view thereof; and,

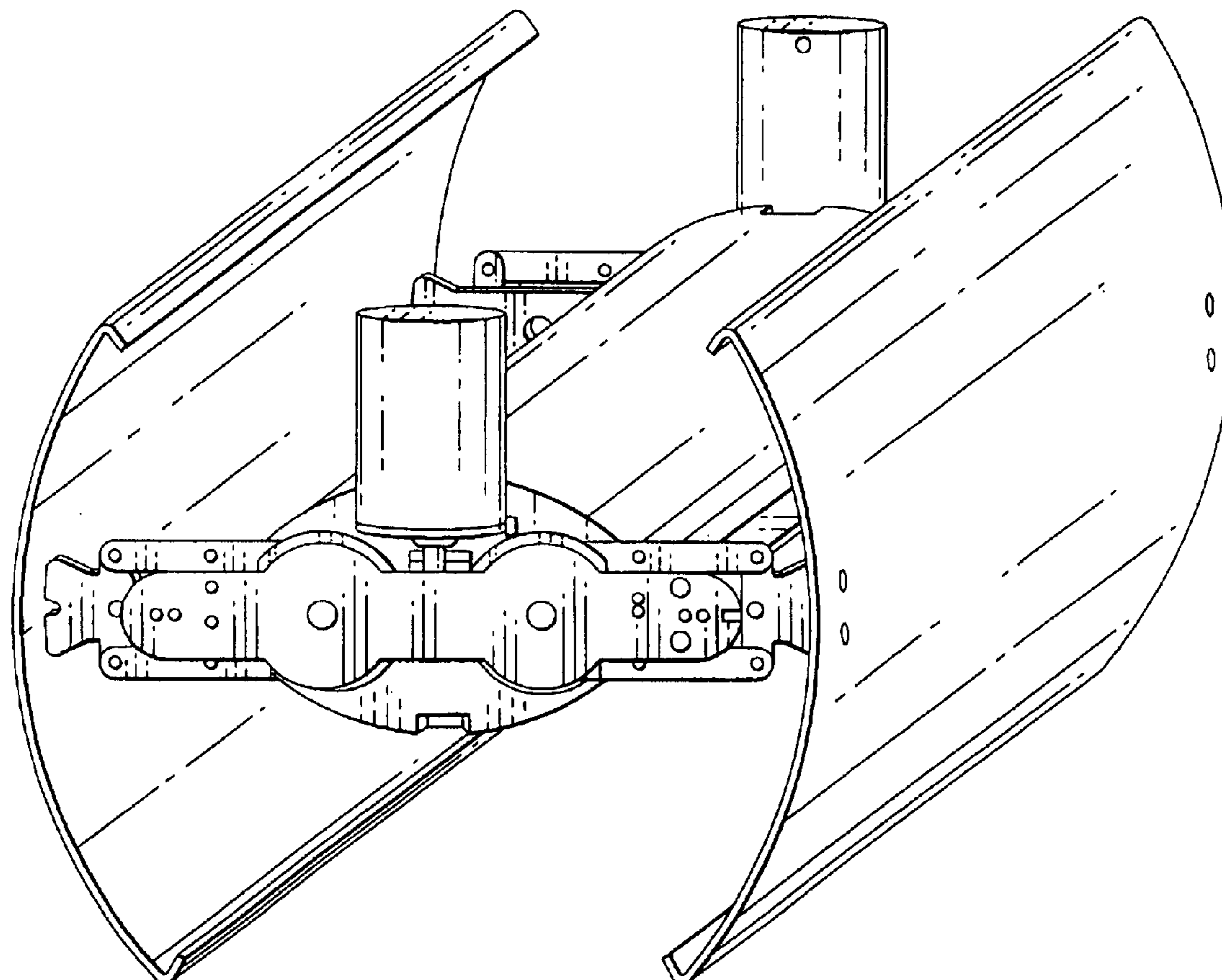
FIG. 5 is a front elevational view thereof.

(56) **References Cited**

U.S. PATENT DOCUMENTS

D127,379 S * 5/1941 Parisson D26/76

1 Claim, 3 Drawing Sheets



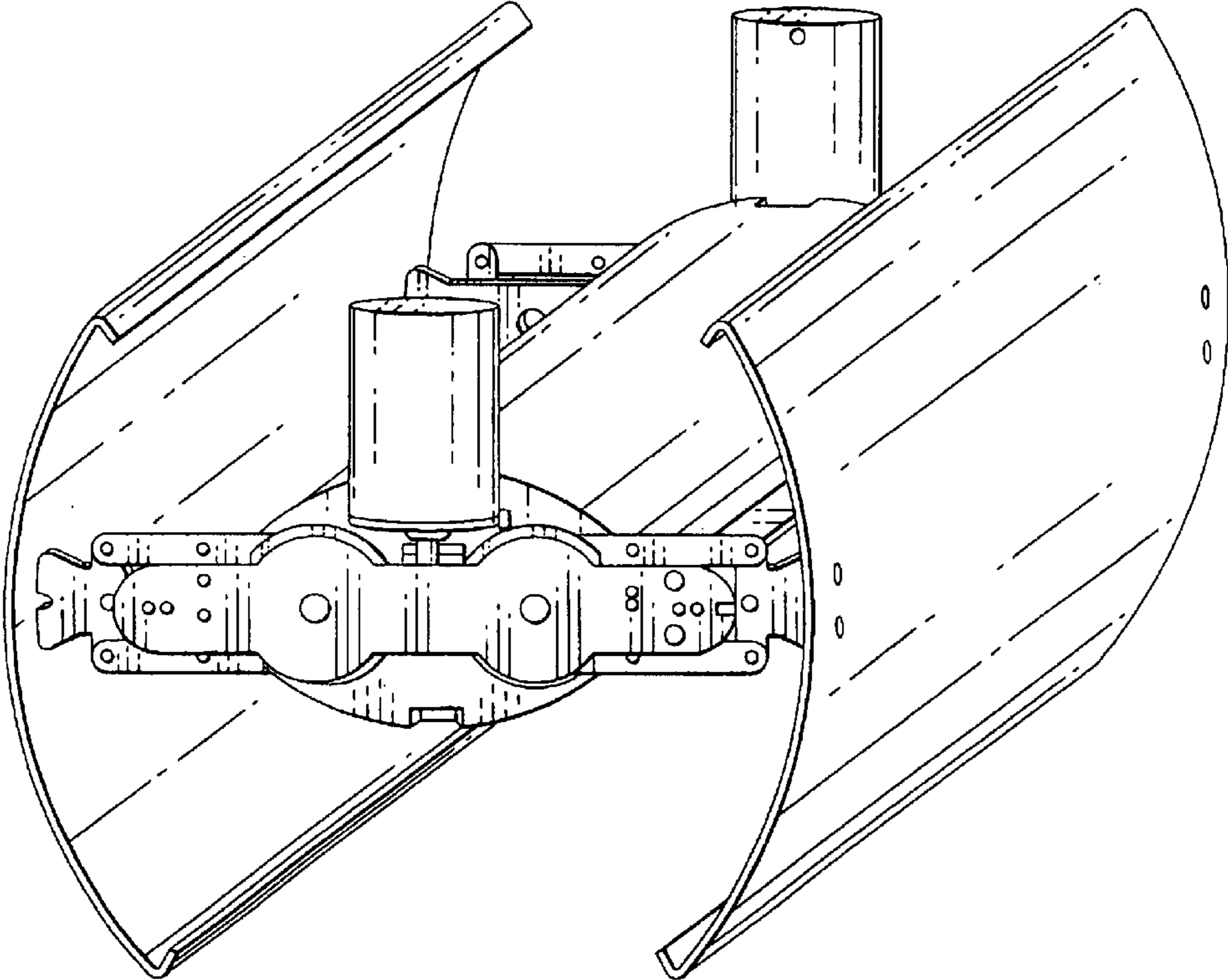


FIG.1

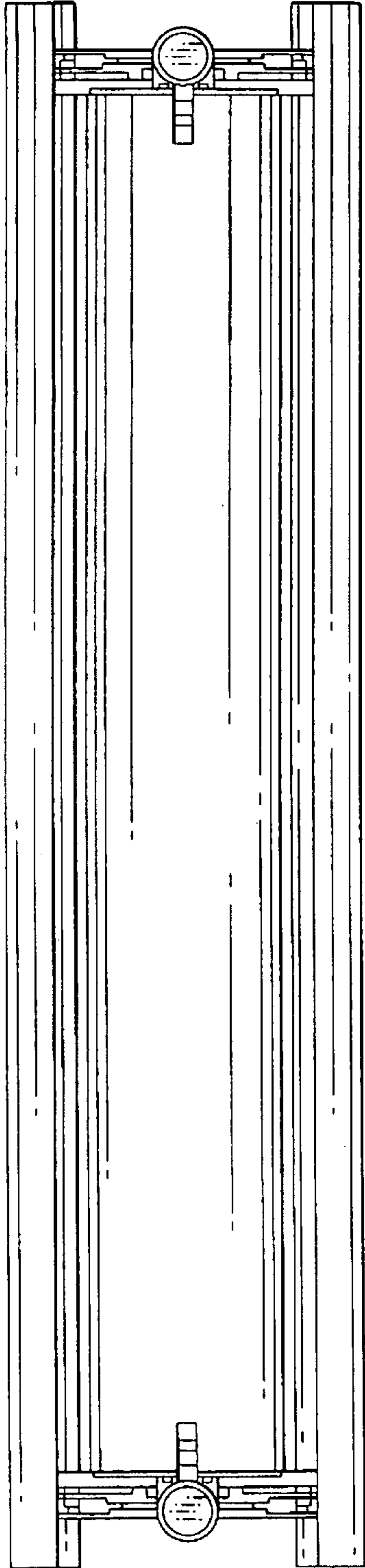


FIG. 2

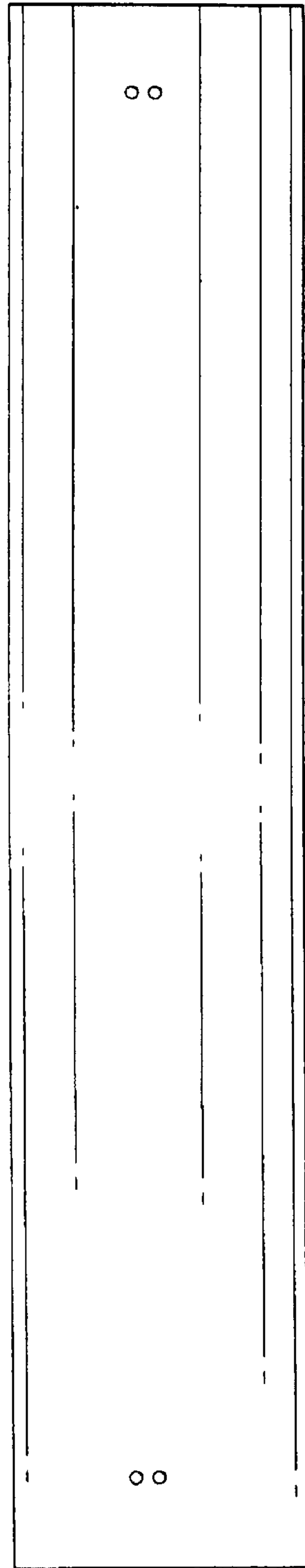


FIG. 3

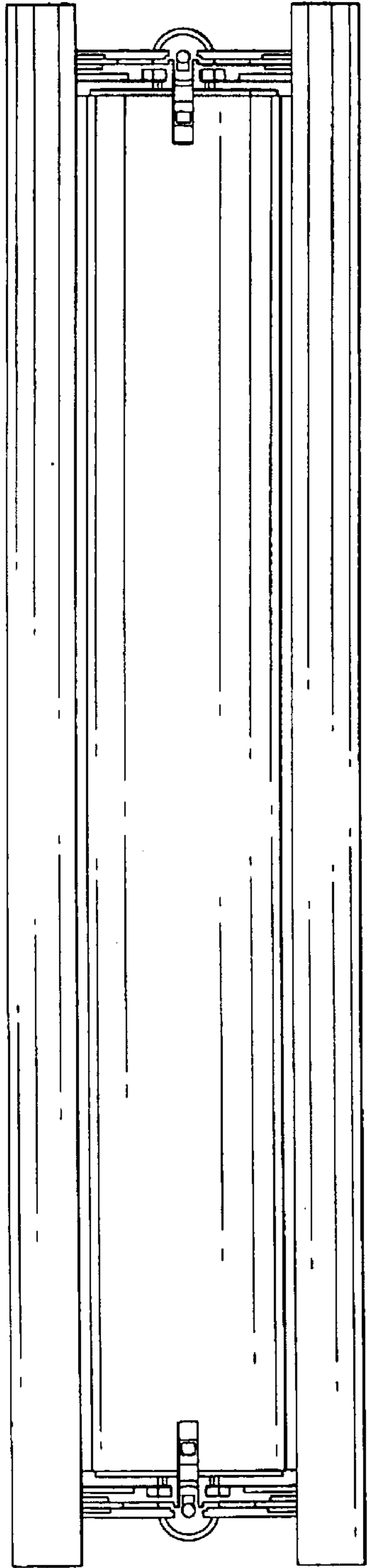


FIG. 4

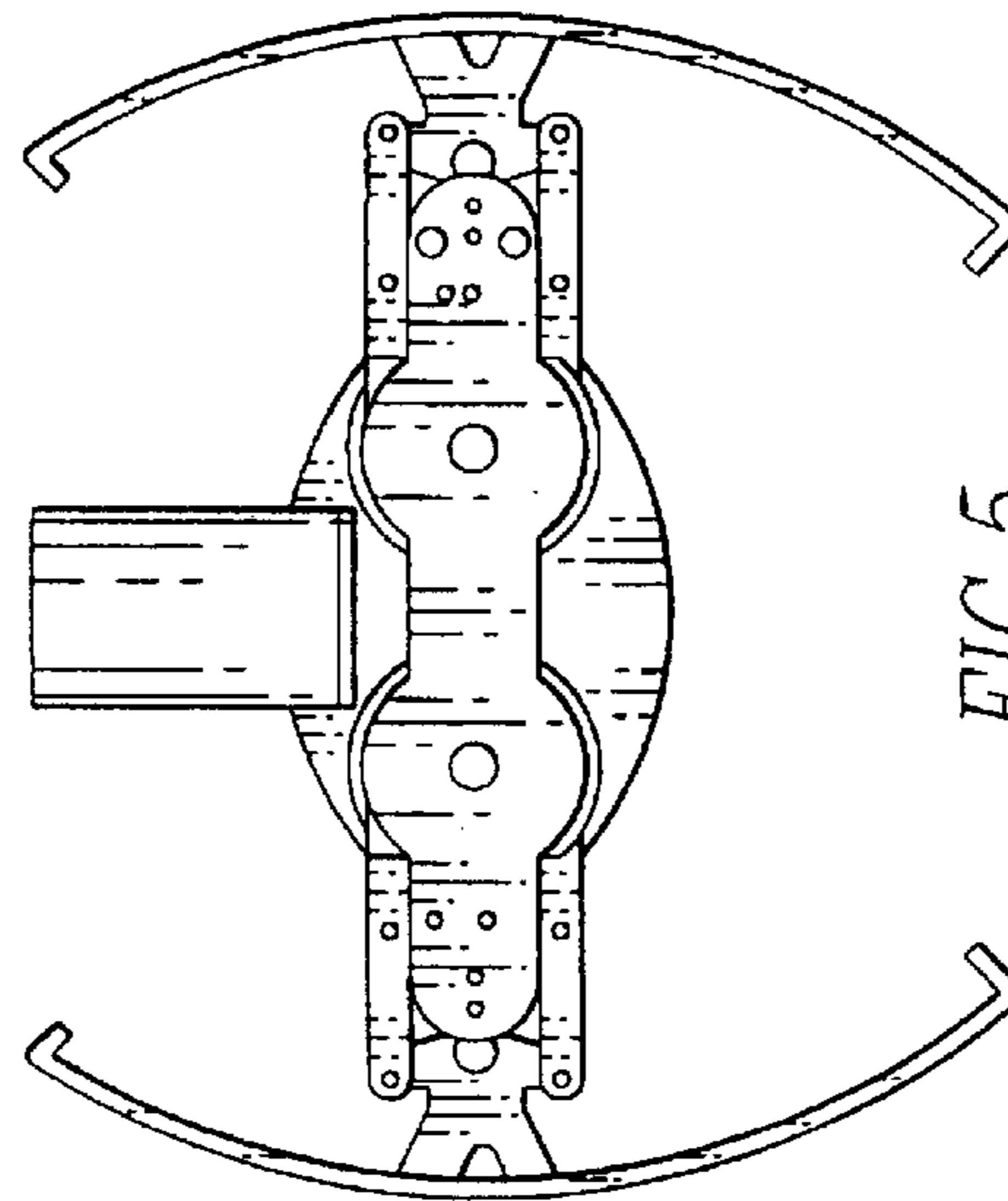


FIG. 5