



US00D537552S

(12) **United States Design Patent**
Monroe et al.

(10) **Patent No.:** **US D537,552 S**

(45) **Date of Patent:** **** Feb. 27, 2007**

(54) **AREA SECURITY LIGHT**

(75) Inventors: **Tim E. Monroe**, Lincoln, CA (US);
John H. Wandrey, Long Beach, CA
(US)

(73) Assignee: **Cordelia Lighting, Inc.**, Rancho
Dominguez, CA (US)

(**) **Term:** **14 Years**

(21) Appl. No.: **29/234,802**

(22) Filed: **Jul. 21, 2005**

(51) **LOC (8) Cl.** **26-05**

(52) **U.S. Cl.** **D26/71; D26/92**

(58) **Field of Classification Search** D26/67-72,
D26/87, 92; 362/147, 153, 153.1, 362, 363,
362/367, 431, 432

See application file for complete search history.

(56) **References Cited**

U.S. PATENT DOCUMENTS

D329,714 S * 9/1992 McIngvale et al. D26/71
D358,226 S * 5/1995 Osteen et al. D26/71

D400,998 S * 11/1998 Leen D26/71
D407,843 S * 4/1999 Leen D26/71
D424,229 S 5/2000 Leen
D425,647 S 5/2000 Leen

* cited by examiner

Primary Examiner—Clare E Heflin

(74) *Attorney, Agent, or Firm*—Paul Y. Feng; Fulwider
Patton LLP

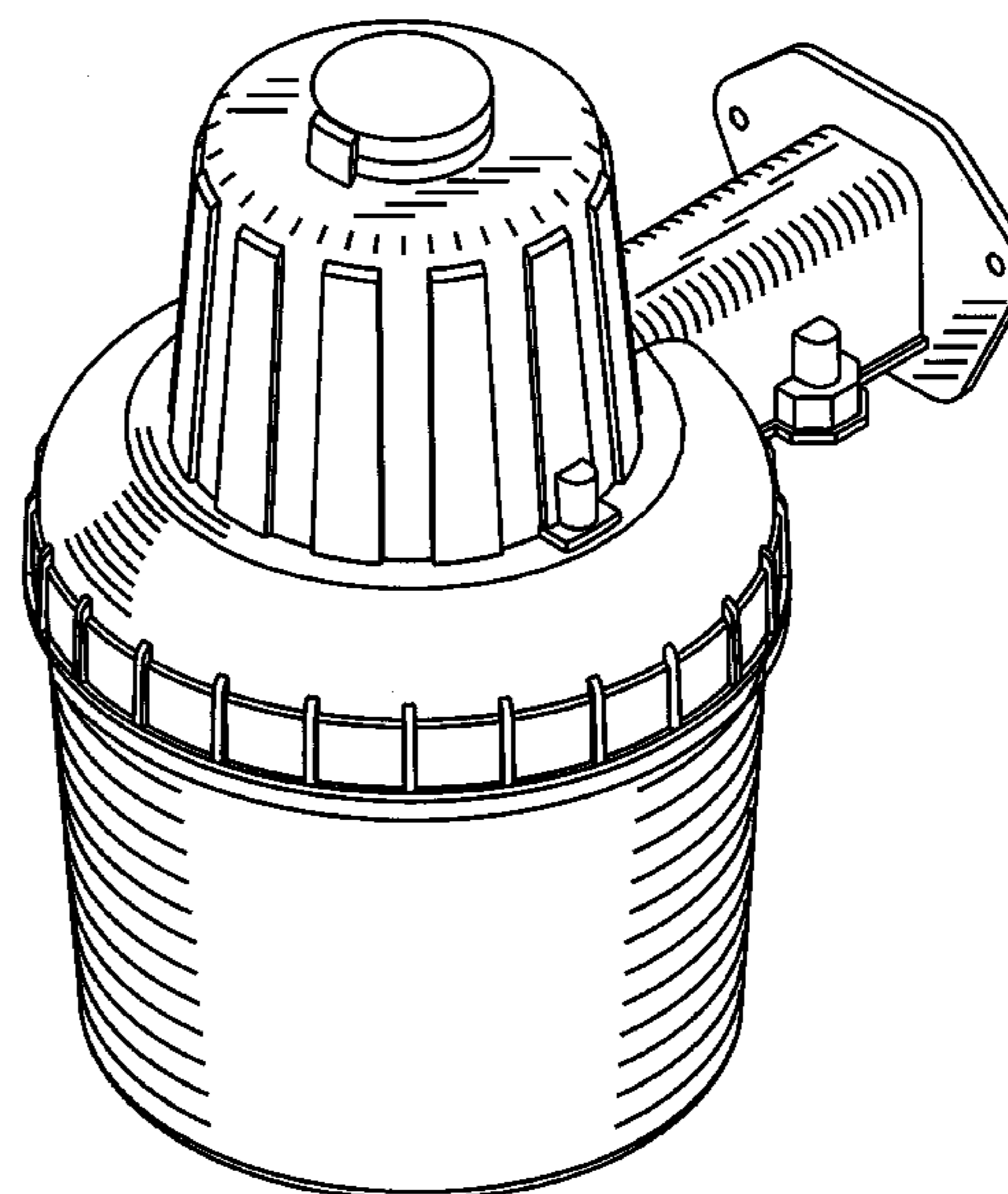
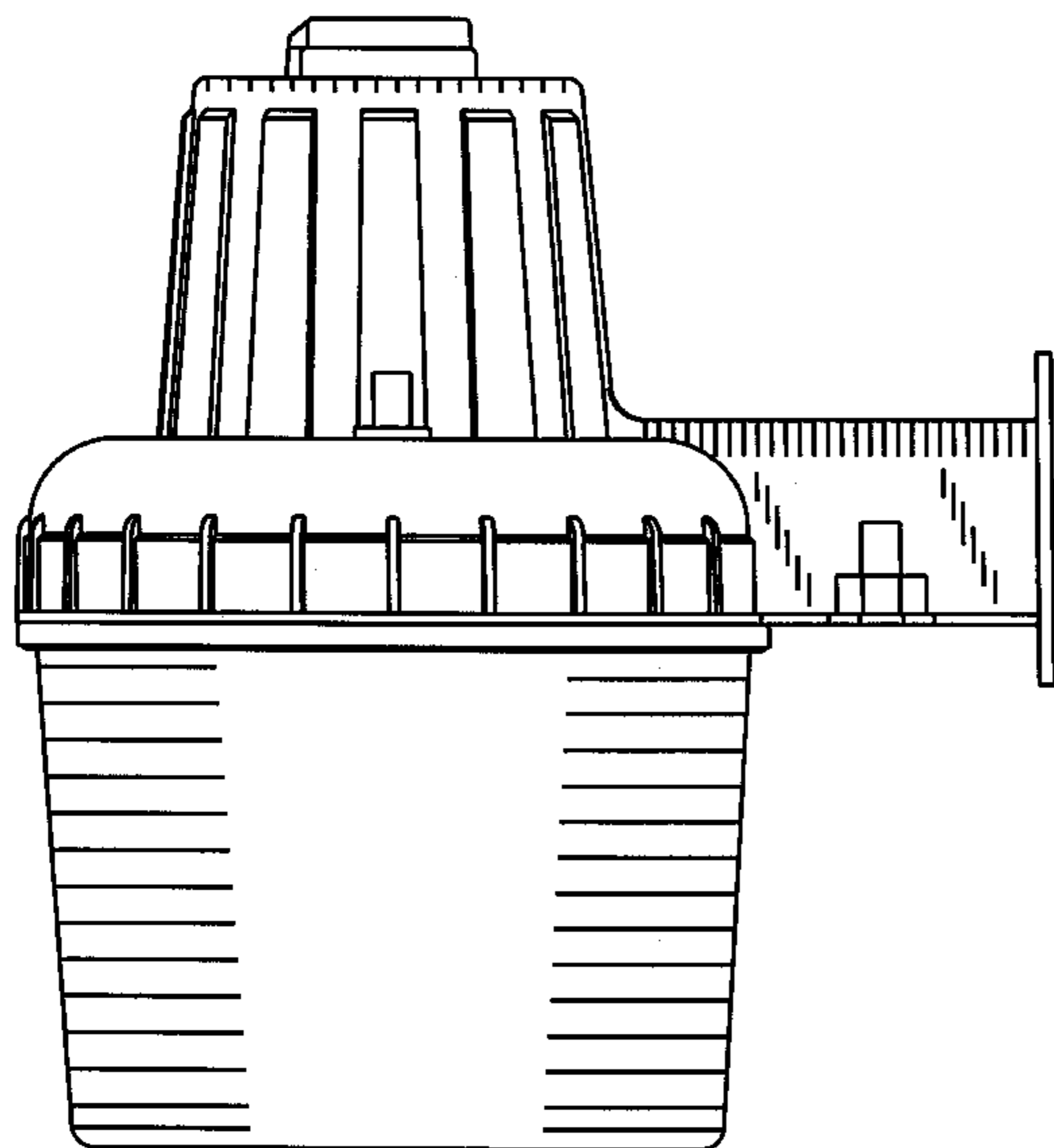
(57) **CLAIM**

The ornamental design for an area security light, as shown
and described.

DESCRIPTION

FIG. 1 is a front elevational view of an area security light
showing our new design;
FIG. 2 is a right side elevational view;
FIG. 3 is a rear elevational view;
FIG. 4 is a left side elevational view;
FIG. 5 is a top plan view;
FIG. 6 is a bottom view;
FIG. 7 is a top perspective view; and,
FIG. 8 is a bottom perspective view.

1 Claim, 8 Drawing Sheets



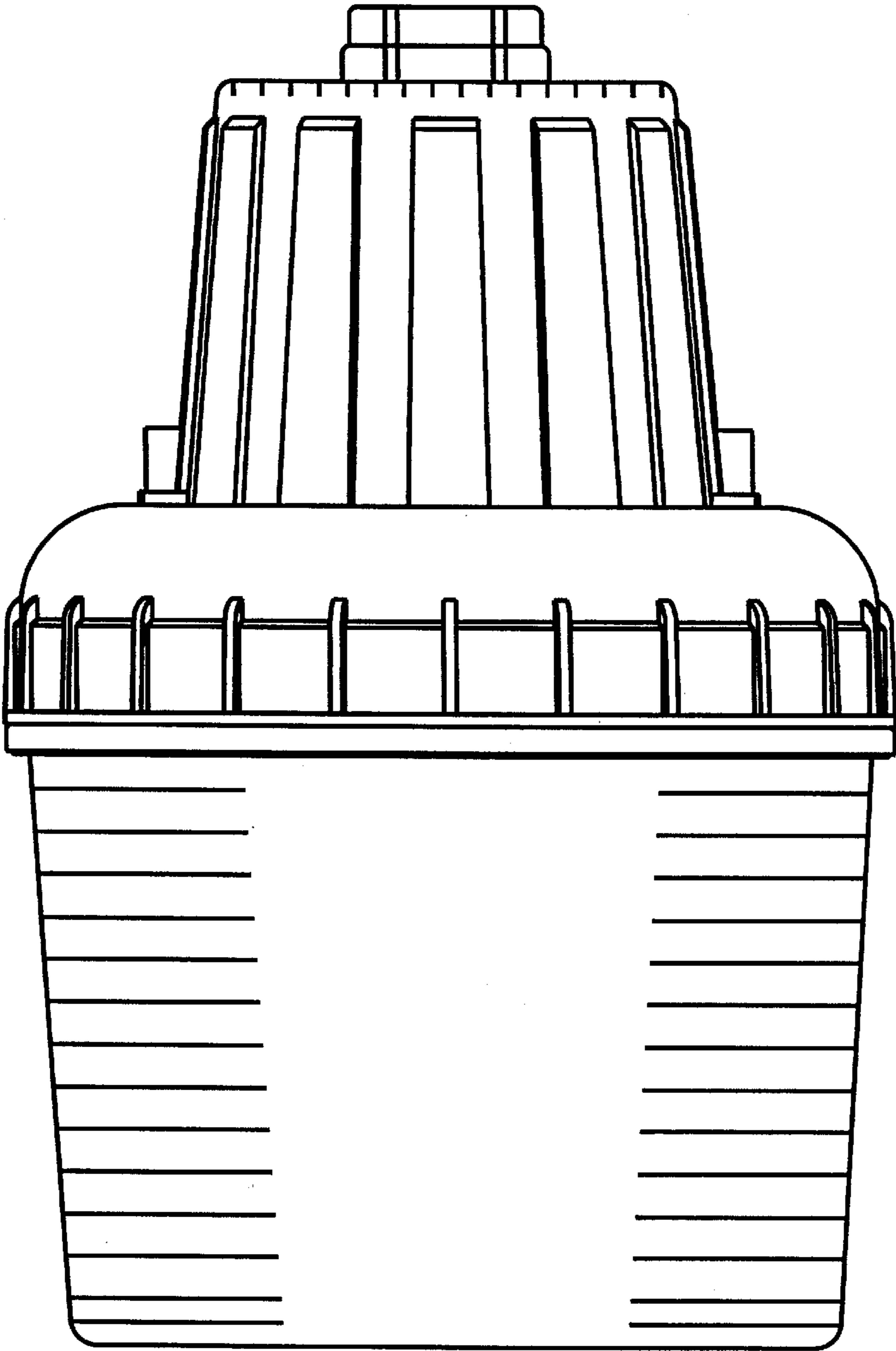


FIG.1

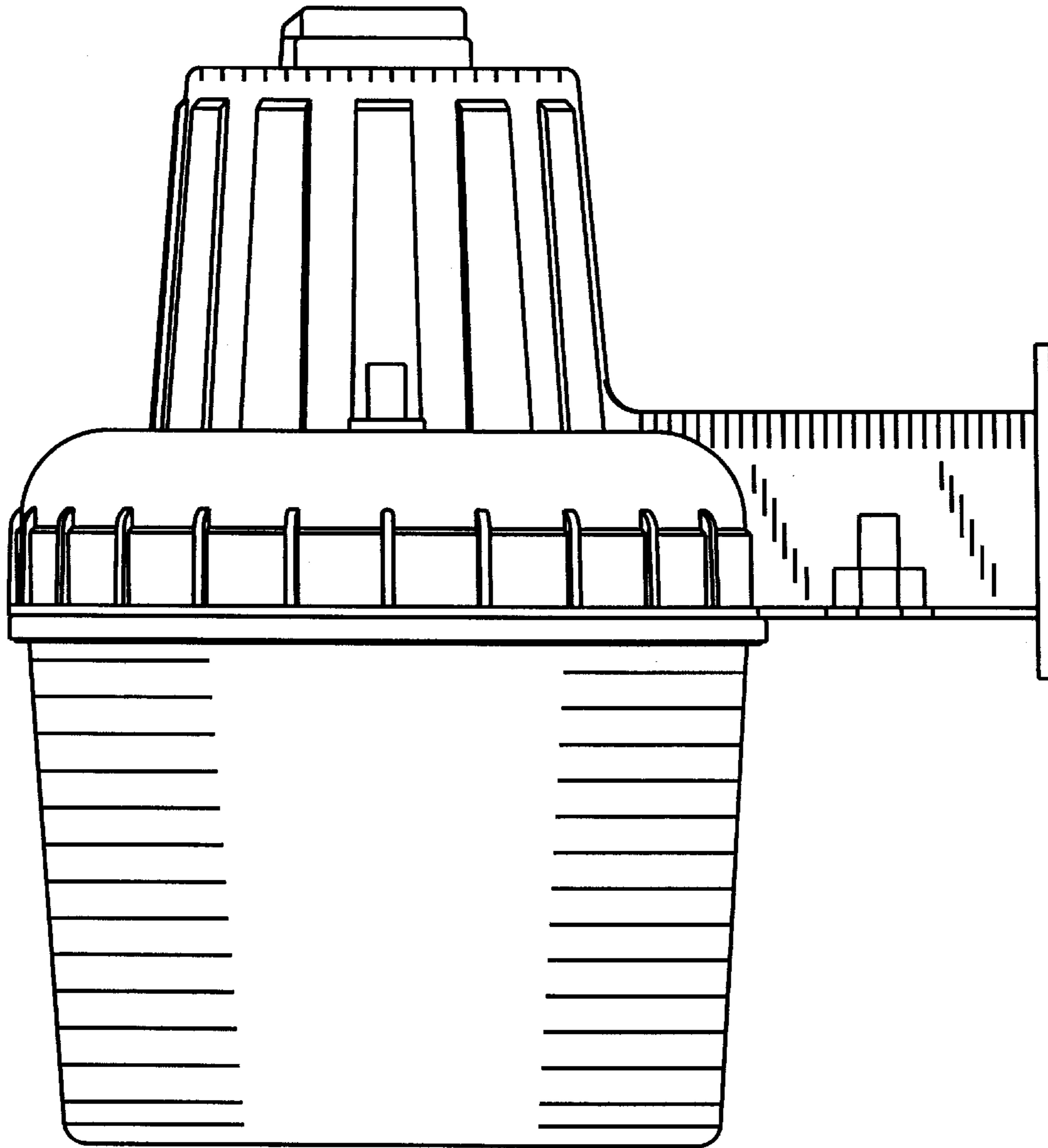


FIG.2

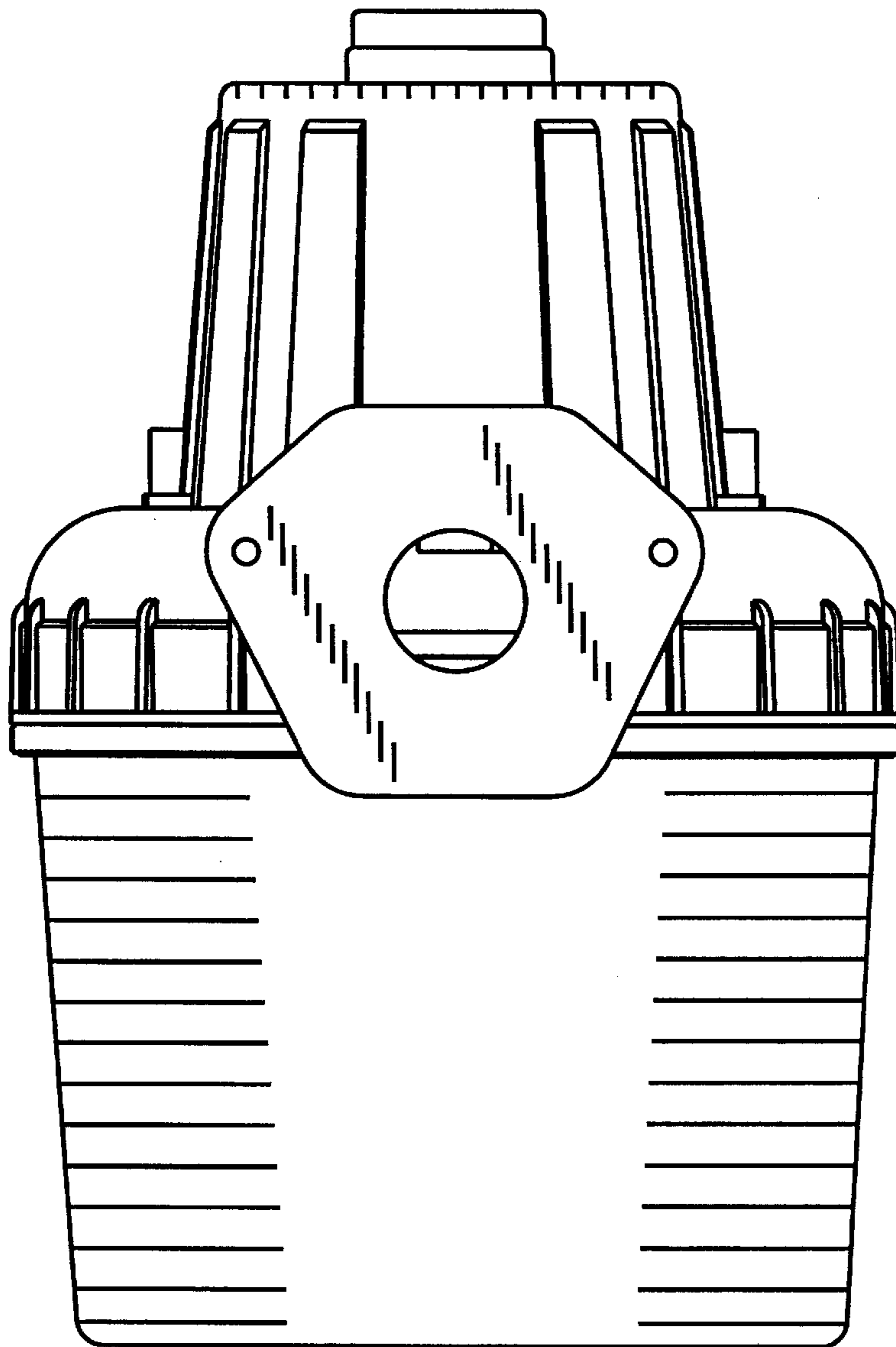


FIG.3

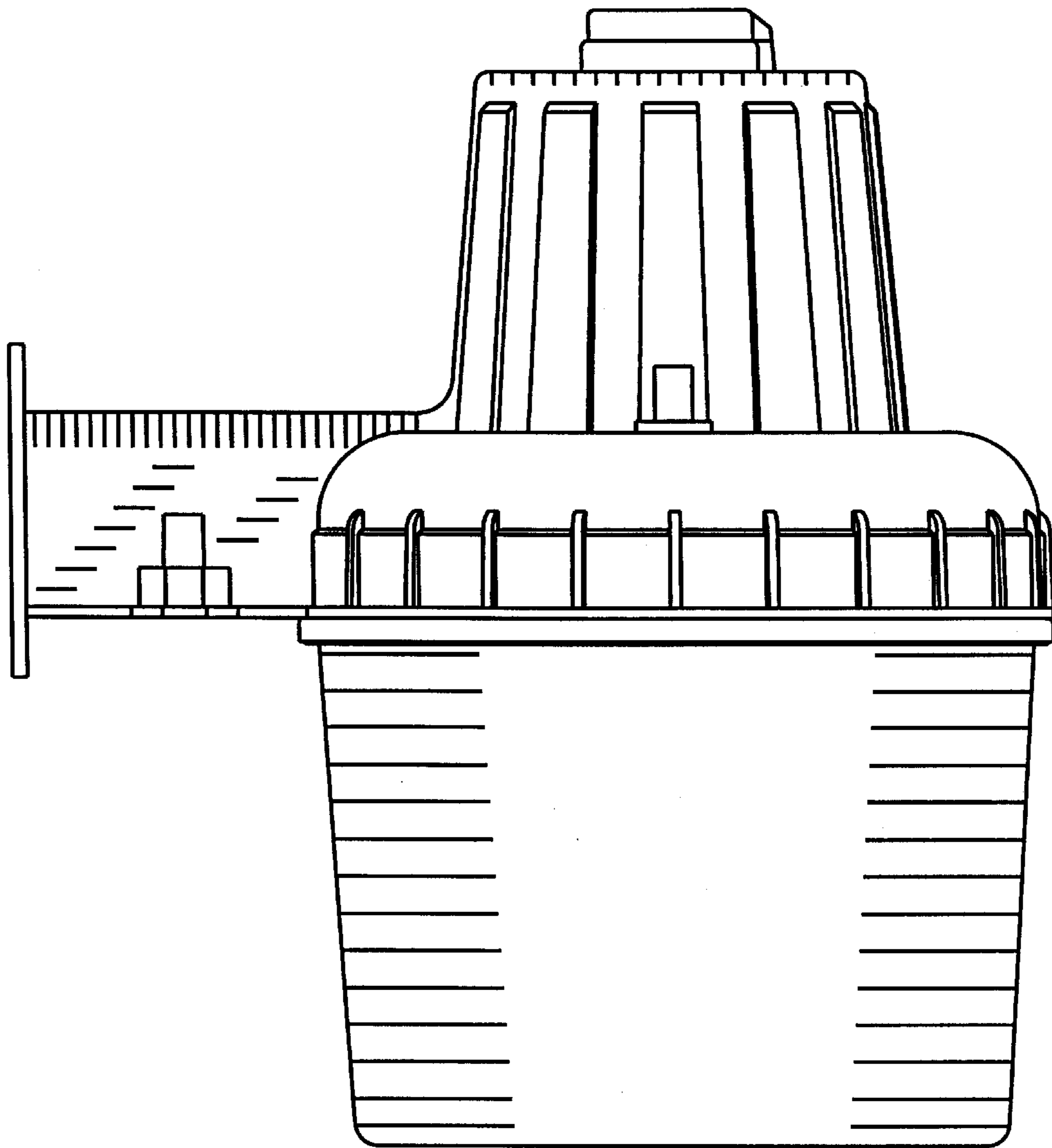


FIG.4

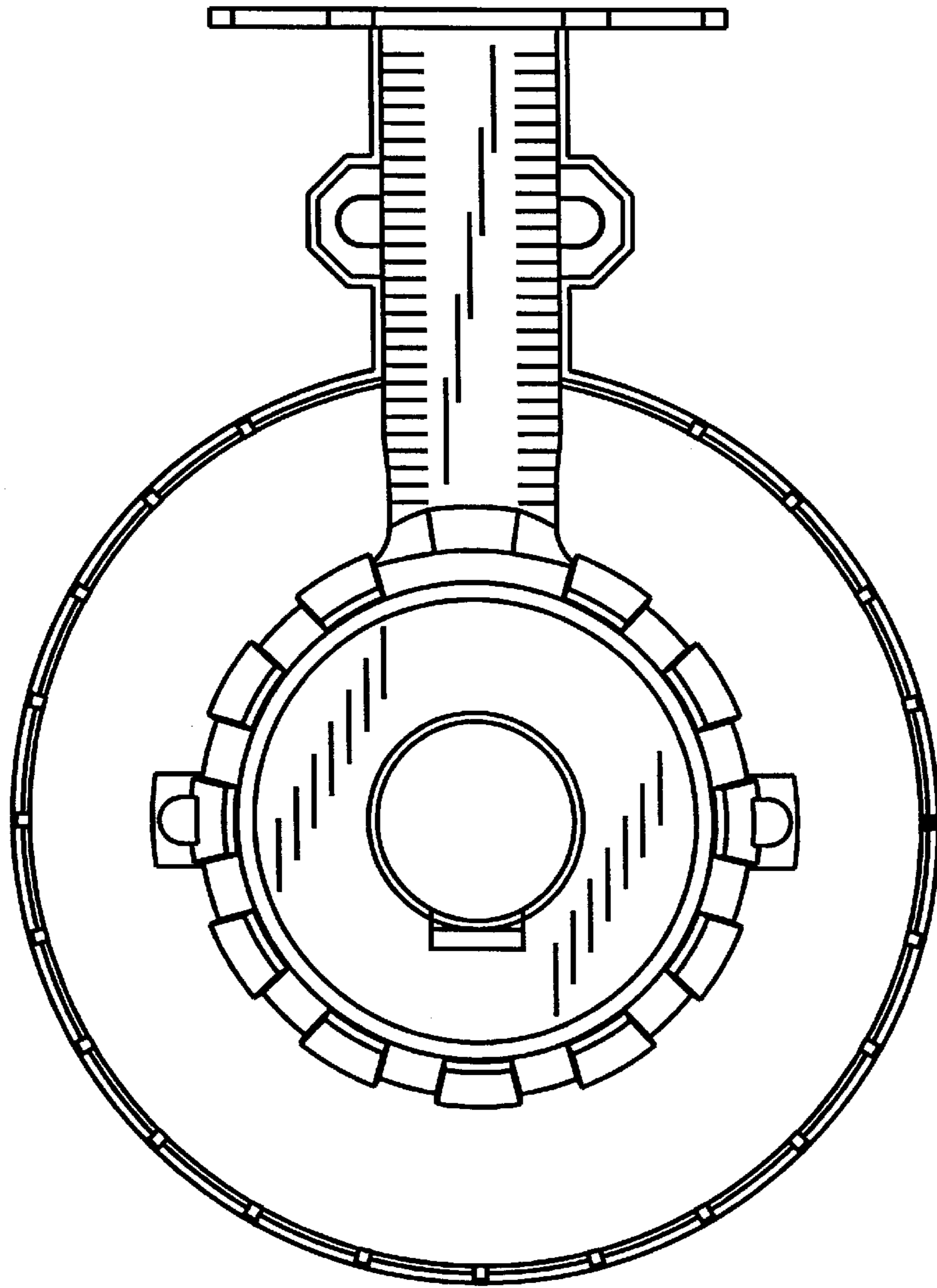


FIG. 5

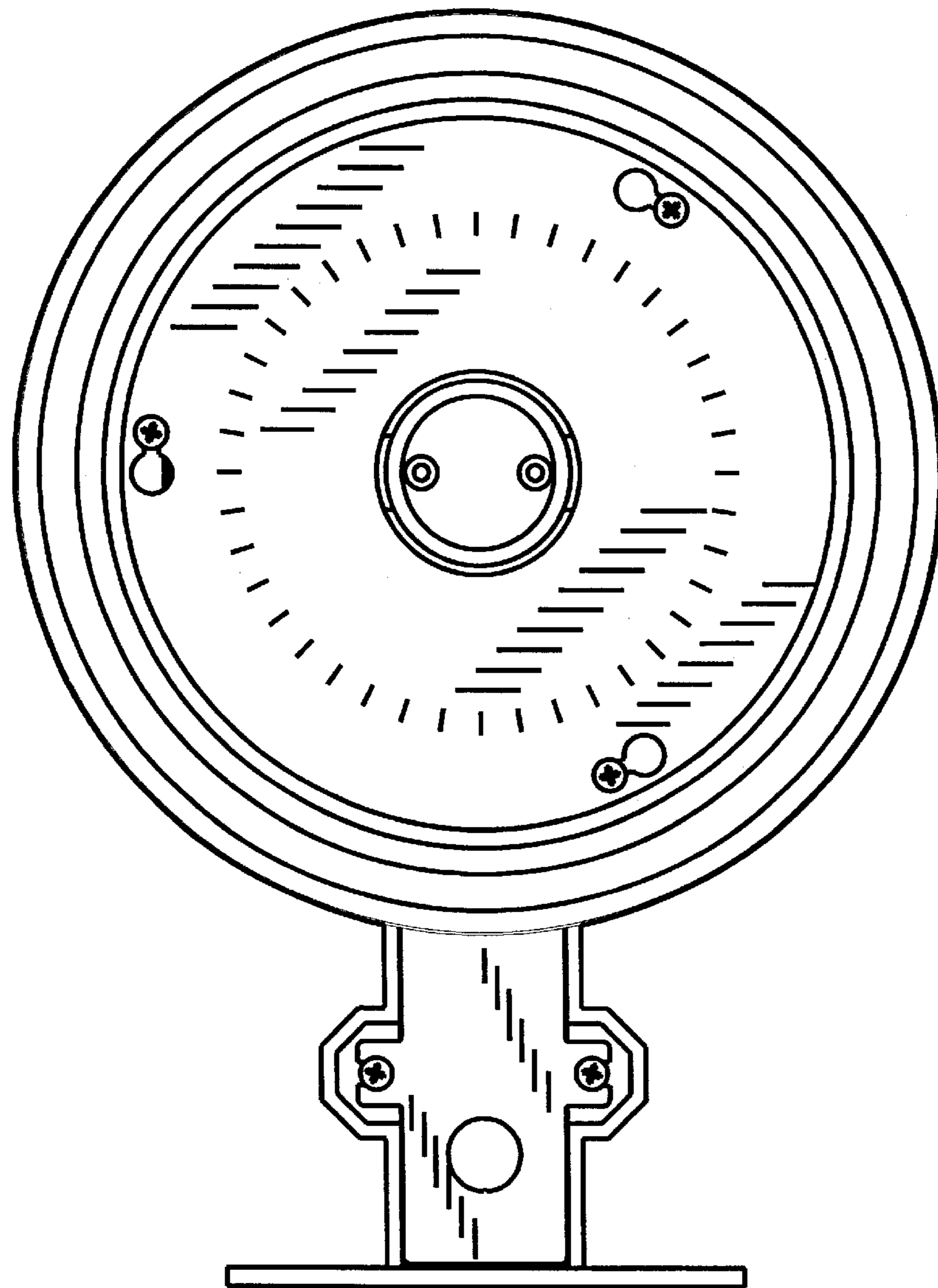


FIG.6

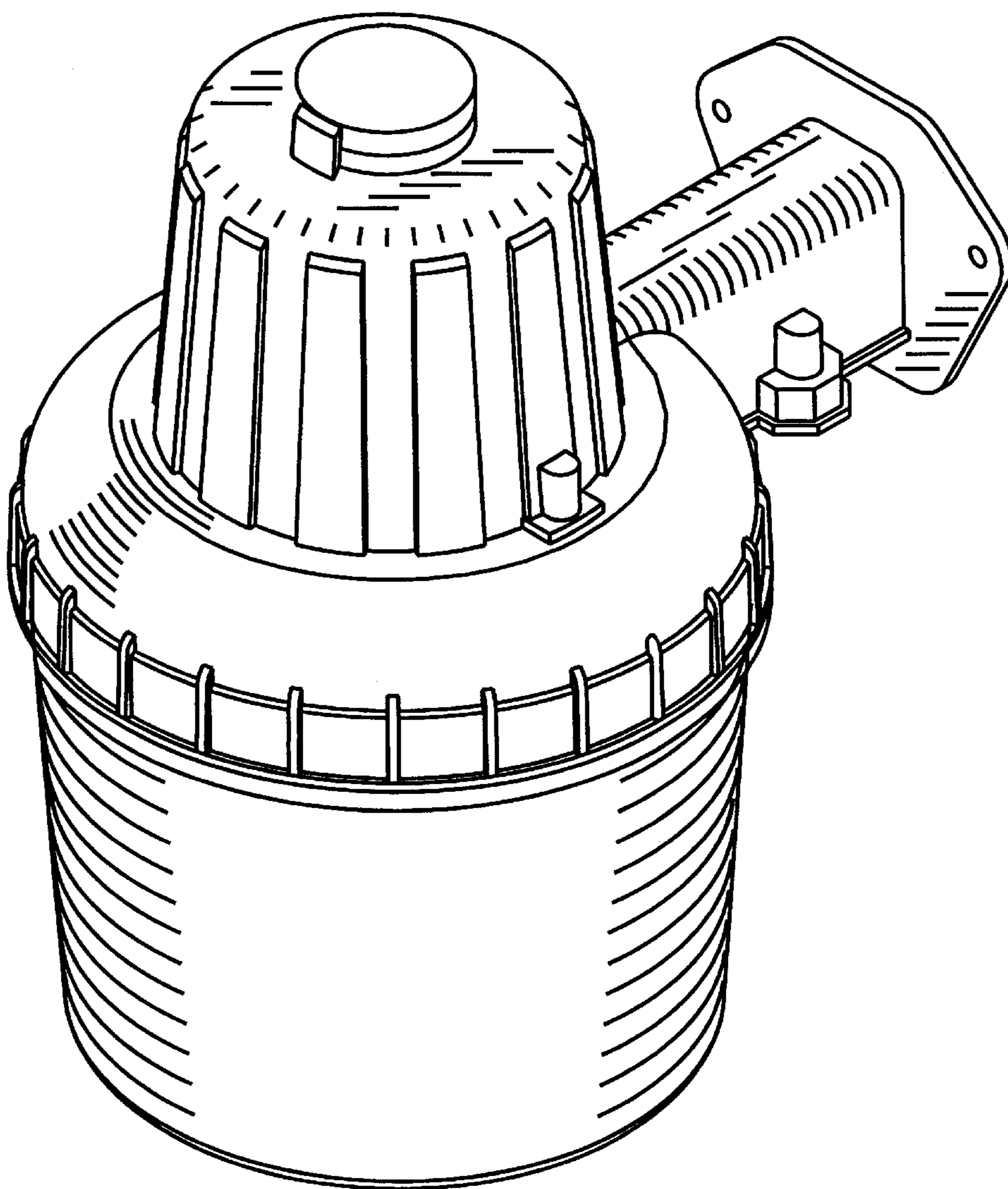


FIG.7

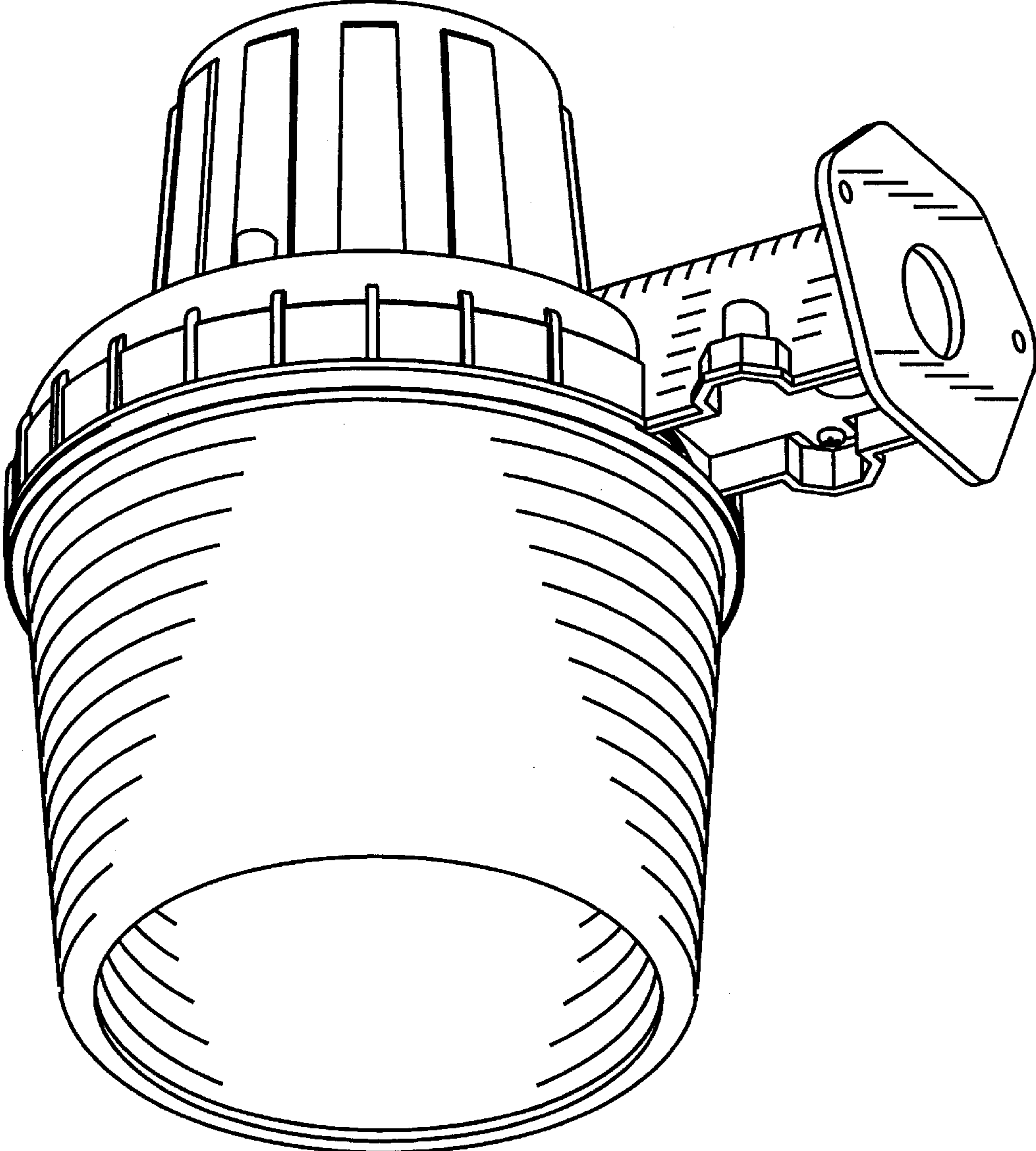


FIG.8