



US00D537549S

(12) **United States Design Patent**
Bleicher

(10) **Patent No.:** **US D537,549 S**

(45) **Date of Patent:** **** Feb. 27, 2007**

(54) **SPOTLIGHT**

(75) Inventor: **Thomas Bleicher**, Montreuil (FR)

(73) Assignee: **Zap Technology Sarl**, Gennevilliers (FR)

(**) Term: **14 Years**

(21) Appl. No.: **29/224,486**

(22) Filed: **Mar. 2, 2005**

(30) **Foreign Application Priority Data**

Sep. 7, 2004 (EP) 000227590

(51) **LOC (8) Cl.** **20-06**

(52) **U.S. Cl.** **D26/24**

(58) **Field of Classification Search** D26/24,
D26/36, 37, 39, 60, 61, 63, 64, 67, 93, 104,
D26/110, 118, 122, 138; D10/114; D13/134;
D16/239; 362/157, 158, 186, 192, 226, 257,
362/296, 306, 310, 328, 475, 476, 640, 659

See application file for complete search history.

(56) **References Cited**

U.S. PATENT DOCUMENTS

D199,998 S * 1/1965 Atkin et al. D26/138

D207,549 S * 5/1967 Bodian D26/24

D254,694 S * 4/1980 Drost et al. D26/63

D281,538 S * 11/1985 Wang D26/64

D287,644 S * 1/1987 Gierke D26/60

D296,244 S * 6/1988 Donato D26/63

D385,640 S * 10/1997 Leen D26/63

* cited by examiner

Primary Examiner—Alan P. Douglas

Assistant Examiner—Angela J. Lee

(74) *Attorney, Agent, or Firm*—Rader, Fishman & Grauer, PLLC

(57) **CLAIM**

The ornamental design for spotlight, as shown and described.

DESCRIPTION

FIG. 1 is a front elevational view of the spotlight design of the present invention;

FIG. 2 is a left side elevational view of the spotlight design of the present invention;

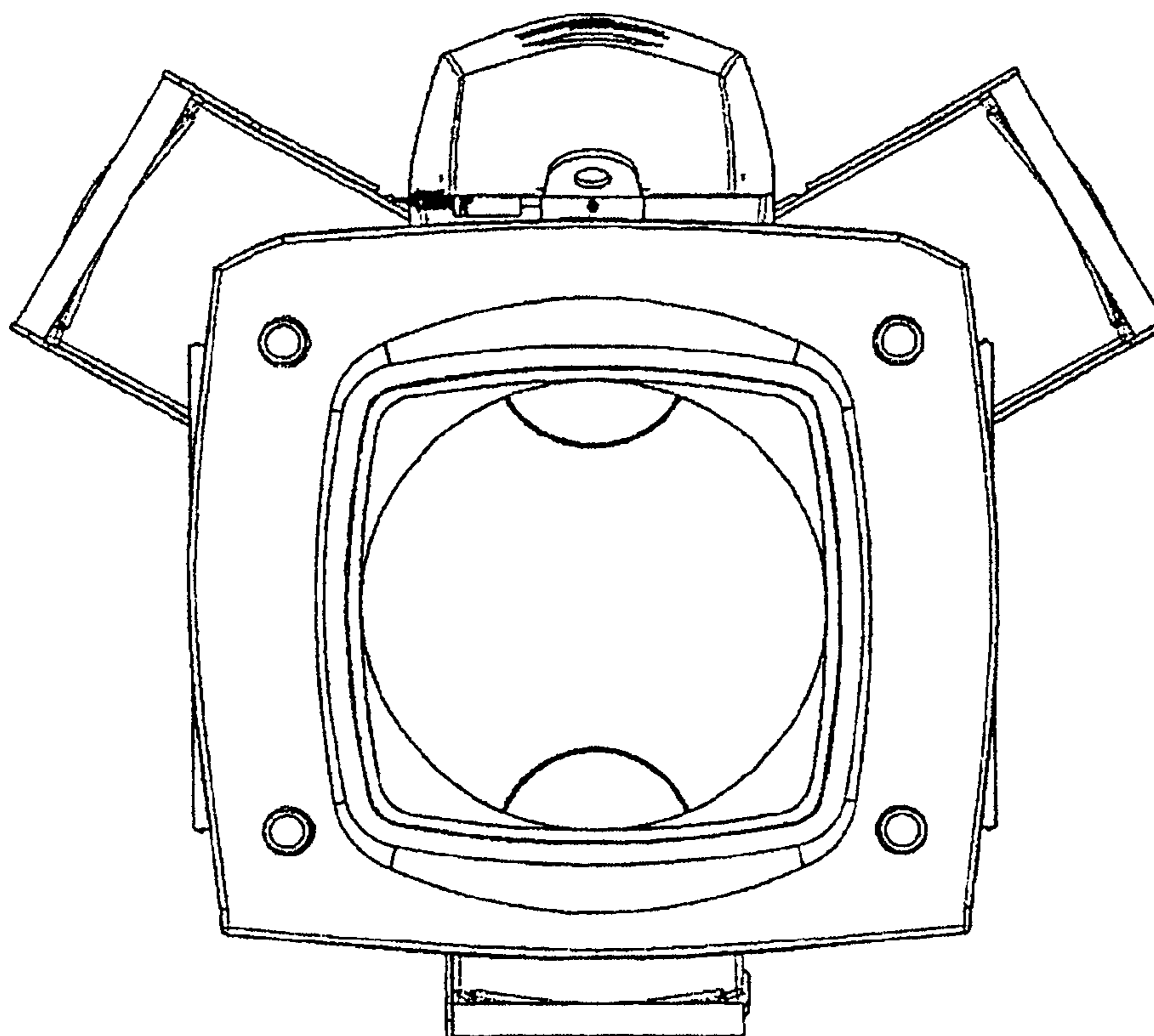
FIG. 3 is a right side elevational view of the spotlight design of the present invention;

FIG. 4 is a rear view of the spotlight design of the present invention; and

FIG. 5 is a bottom plan view of the spotlight design of the present invention; and,

FIG. 6 is top plan view of the spotlight design of the present invention.

1 Claim, 5 Drawing Sheets



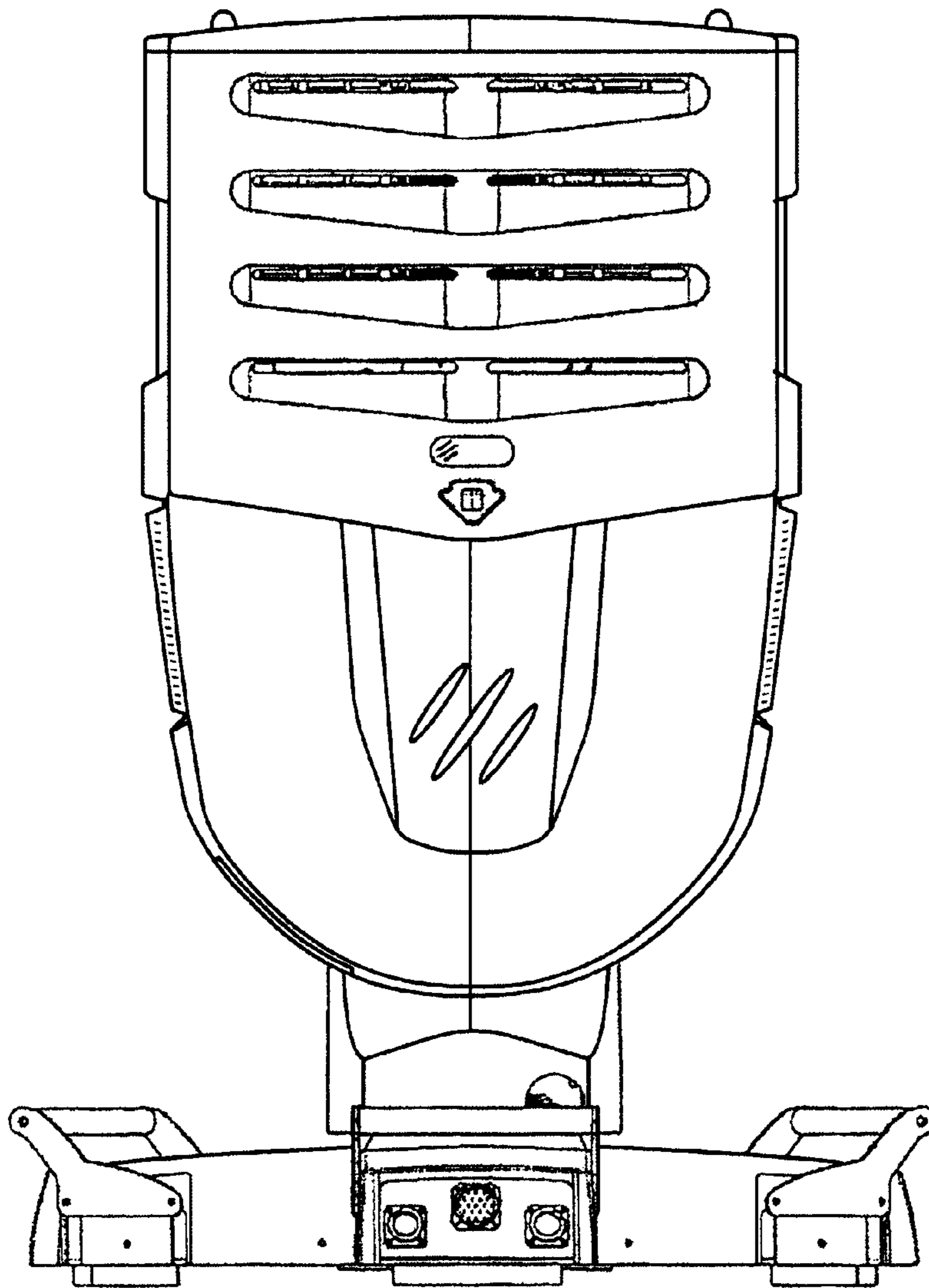


FIG. 1

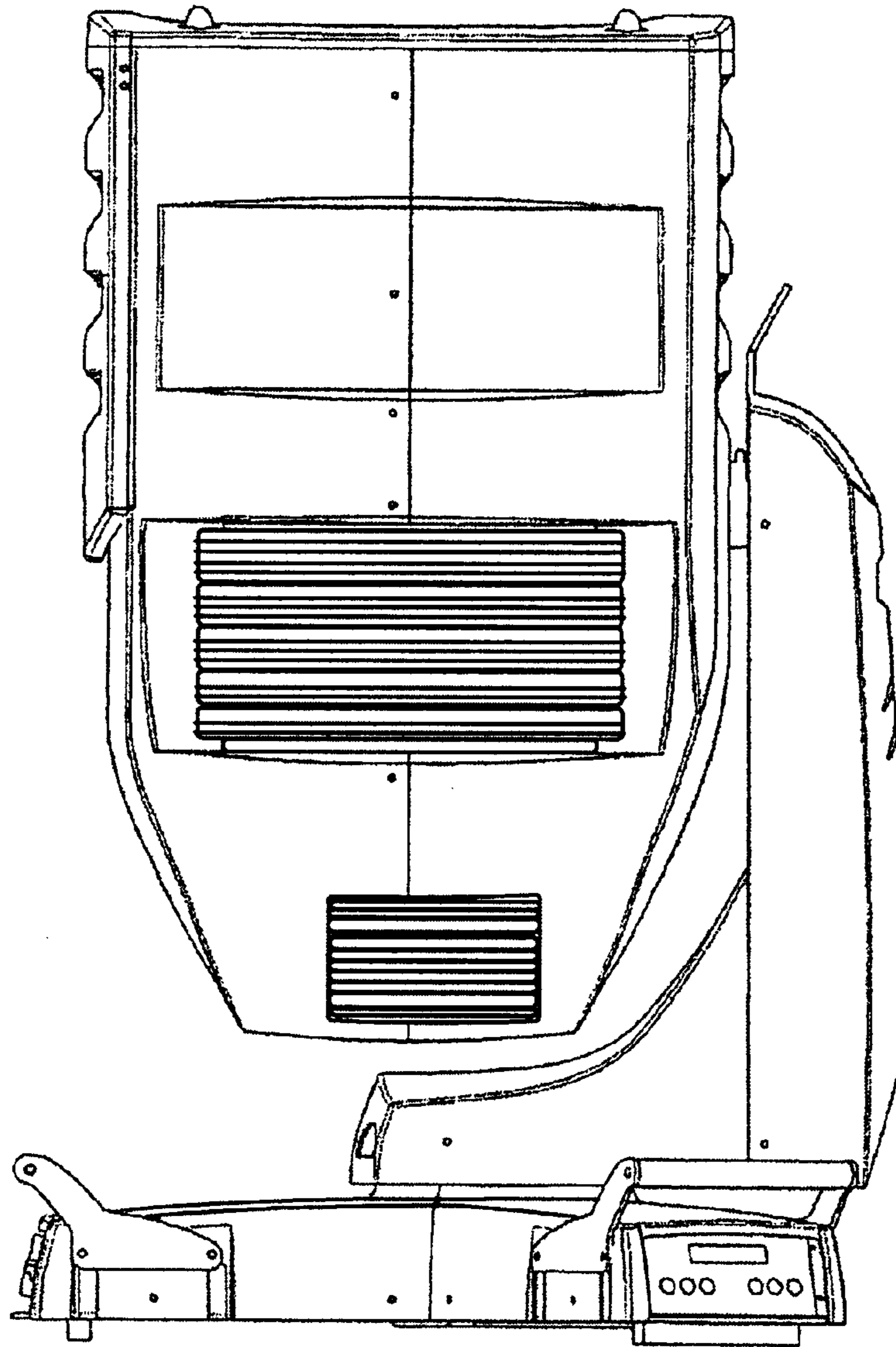


FIG. 2

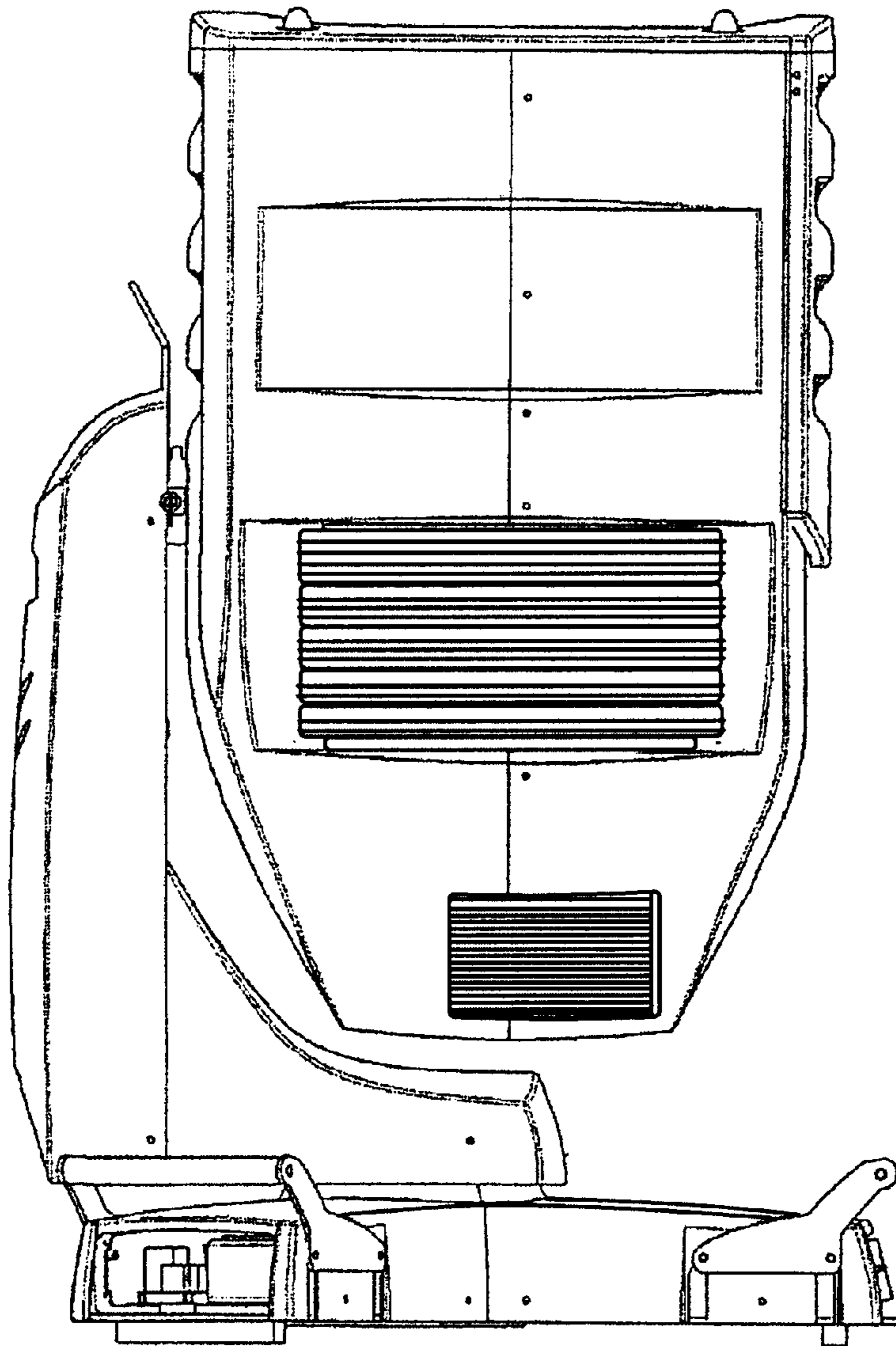


FIG. 3

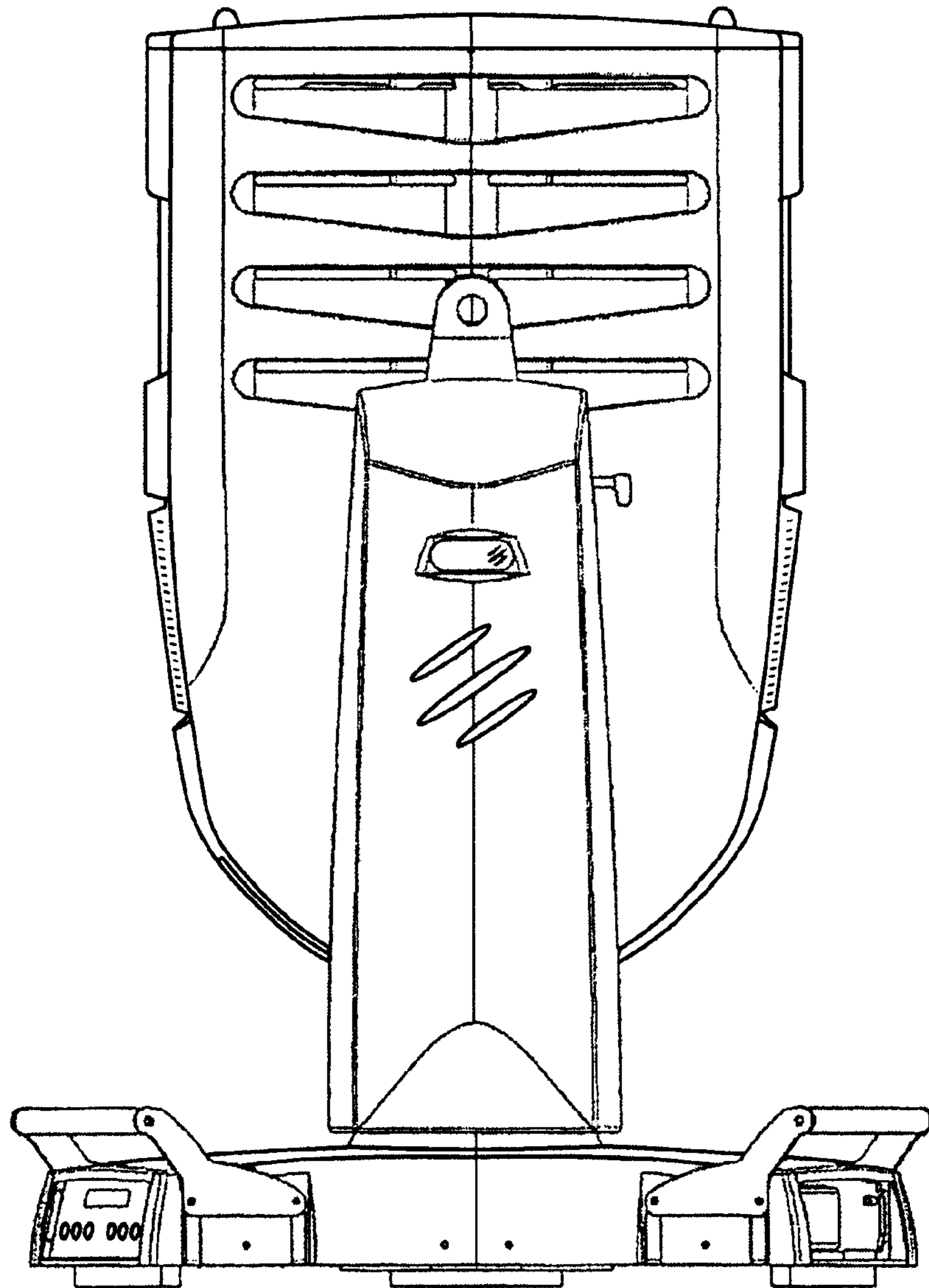


FIG. 4

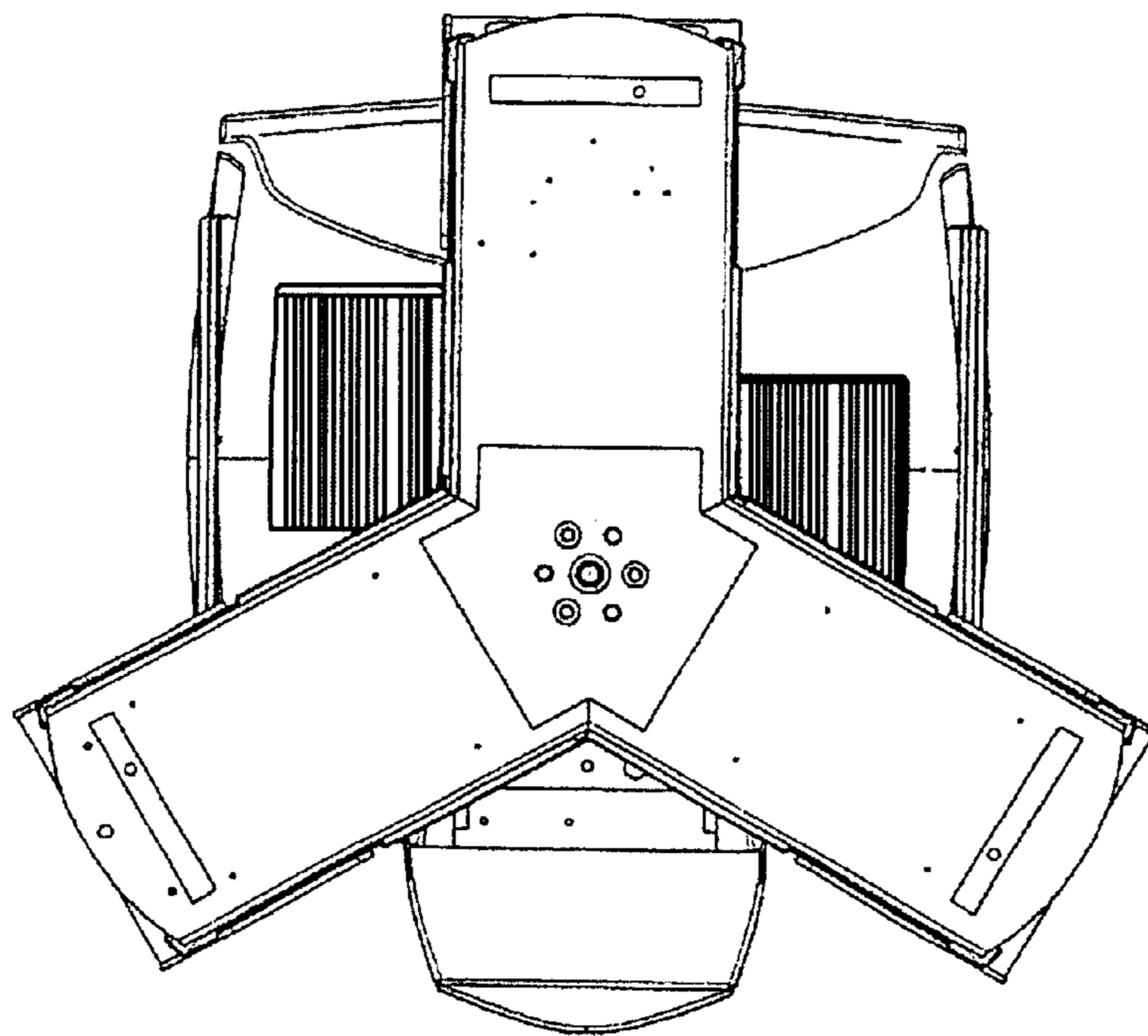


FIG. 5

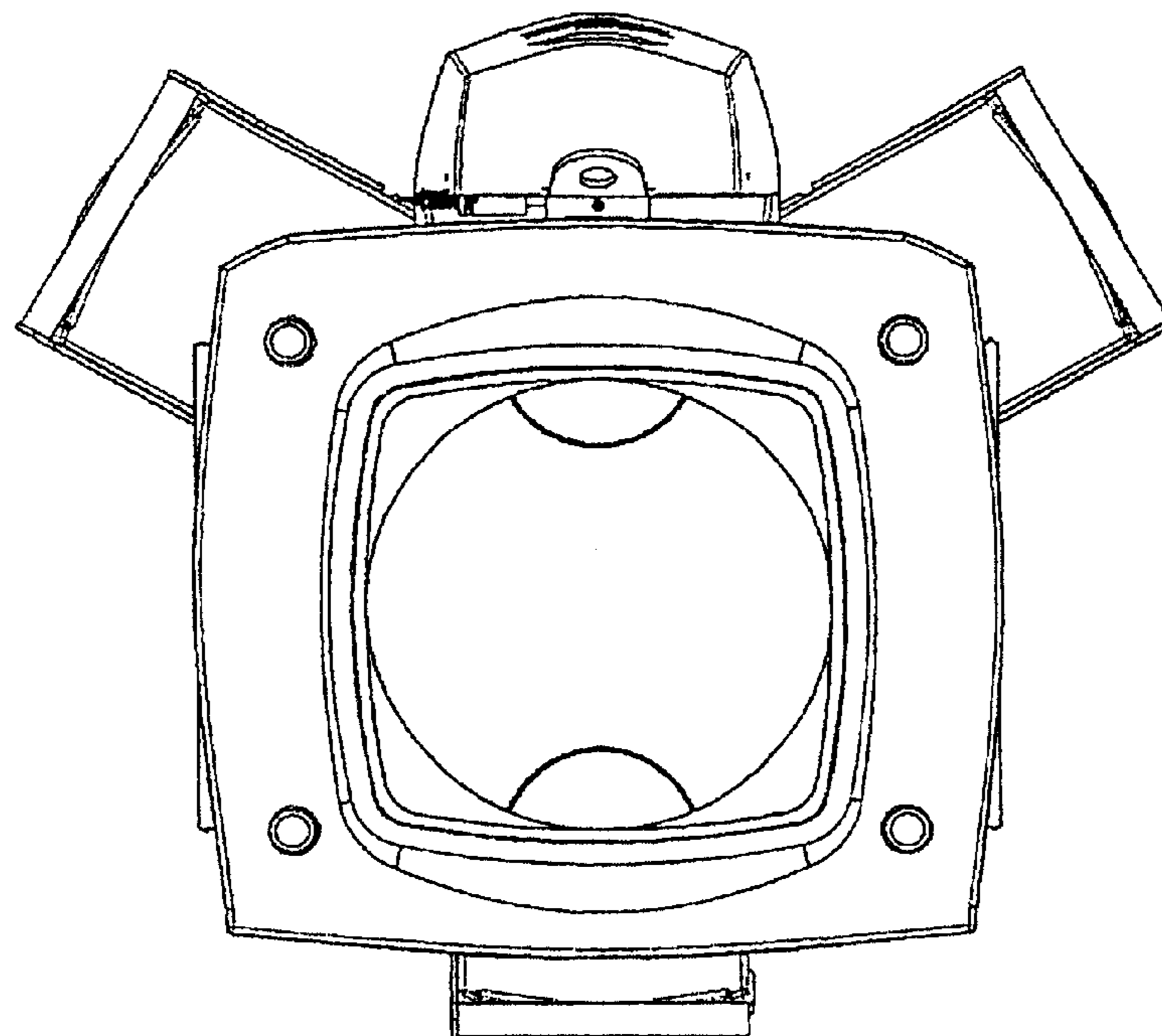


FIG. 6