



US00D537548S

(12) **United States Design Patent**
Yan

(10) **Patent No.:** **US D537,548 S**

(45) **Date of Patent:** **** Feb. 27, 2007**

(54) **HELICAL COMPACT FLUORESCENT LAMP ADAPTOR**

D321,502 S * 11/1991 Ilemo D13/135
D426,324 S * 6/2000 Gunsagar et al. D26/3
D464,154 S * 10/2002 Xu D26/3
D513,080 S * 12/2005 Foo D26/3

(75) Inventor: **Zhaoling Yan**, Shanghai (CN)

* cited by examiner

(73) Assignee: **Shanghai Zhenxin Electric Engineering Co., Ltd**, Shanghai (CN)

Primary Examiner—Marcus A. Jackson

(**) Term: **14 Years**

(74) *Attorney, Agent, or Firm*—Graybeal Jackson Haley LLP

(21) Appl. No.: **29/252,679**

(22) Filed: **Jan. 24, 2006**

(57) **CLAIM**

(30) **Foreign Application Priority Data**

The ornamental design of a helical compact fluorescent lamp adaptor, as shown and described.

Aug. 5, 2005 (CN) 200530041973

DESCRIPTION

(51) **LOC (8) Cl.** **26-04**

(52) **U.S. Cl.** **D26/3**

(58) **Field of Classification Search** D26/1-4;
313/313, 315, 317, 318, 493; 315/52, 53,
315/56, 57, 58

FIG. 1 is a perspective view of the invention;

FIG. 2 is a front view of the invention;

FIG. 3 is a side view of the invention;

FIG. 4 is a top plan view of the invention; and,

FIG. 5 is a bottom plan view of the invention.

See application file for complete search history.

(56) **References Cited**

U.S. PATENT DOCUMENTS

D321,501 S * 11/1991 Ilemo D13/135

1 Claim, 2 Drawing Sheets

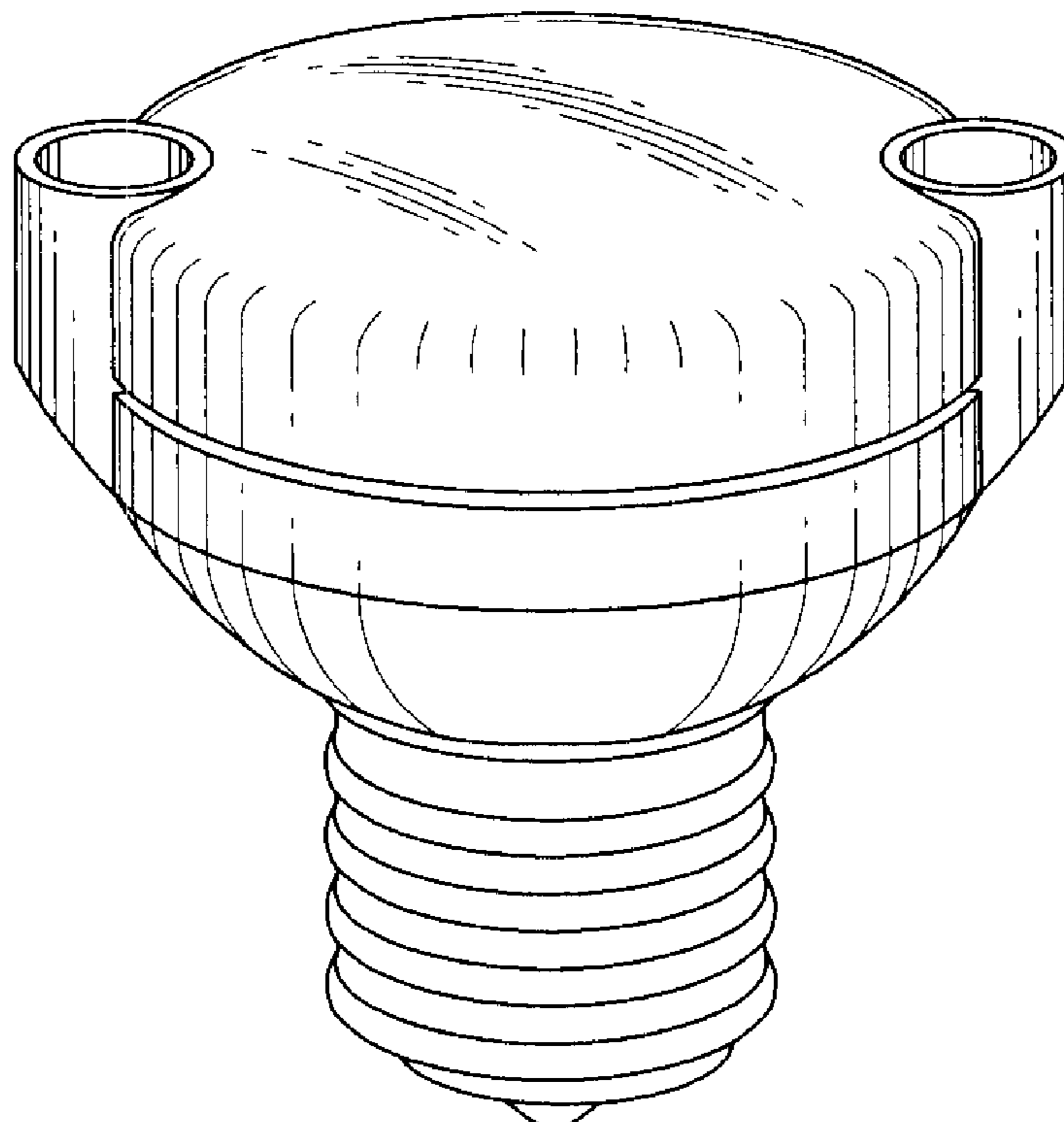


FIG. 1

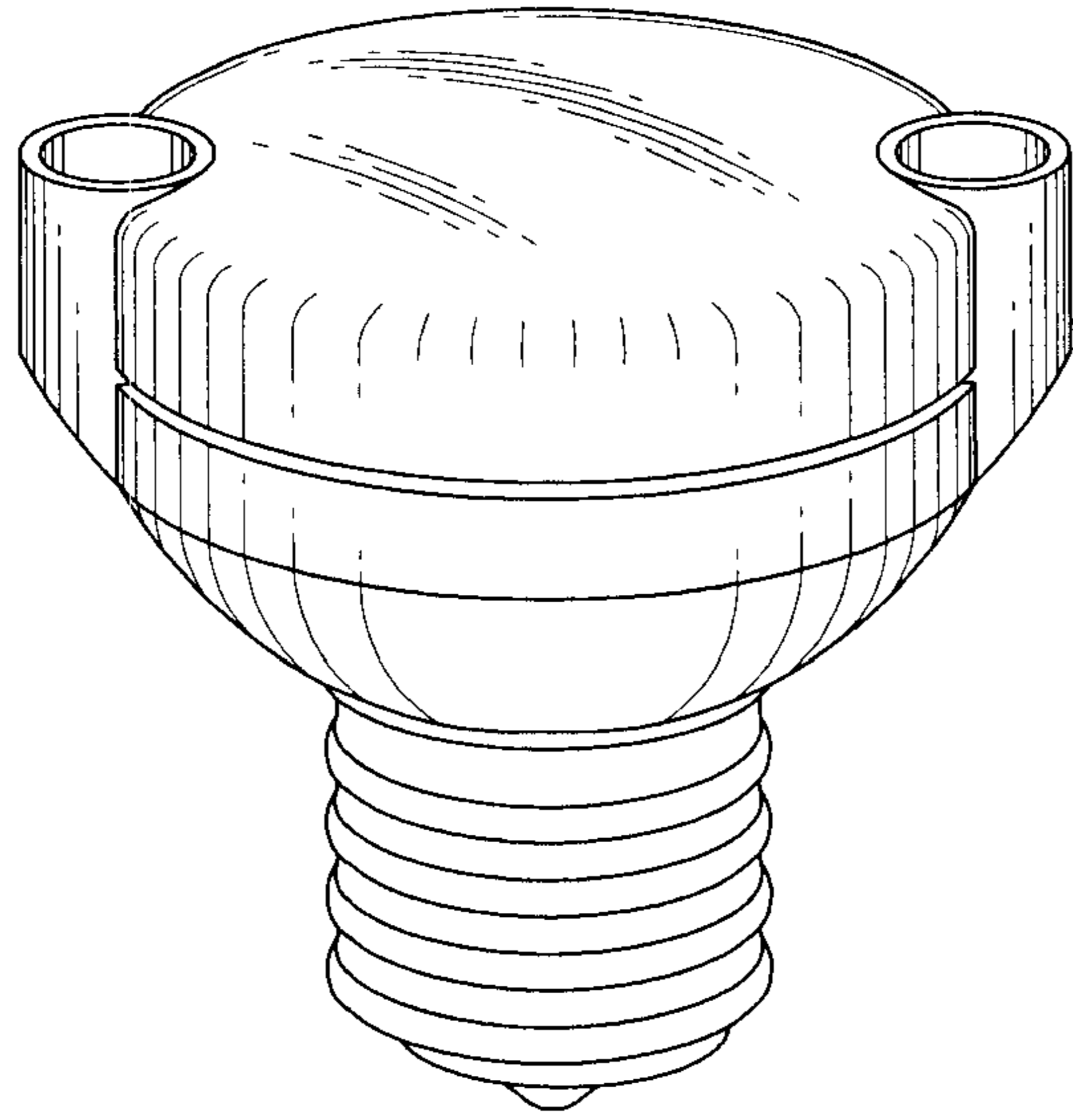


FIG. 2

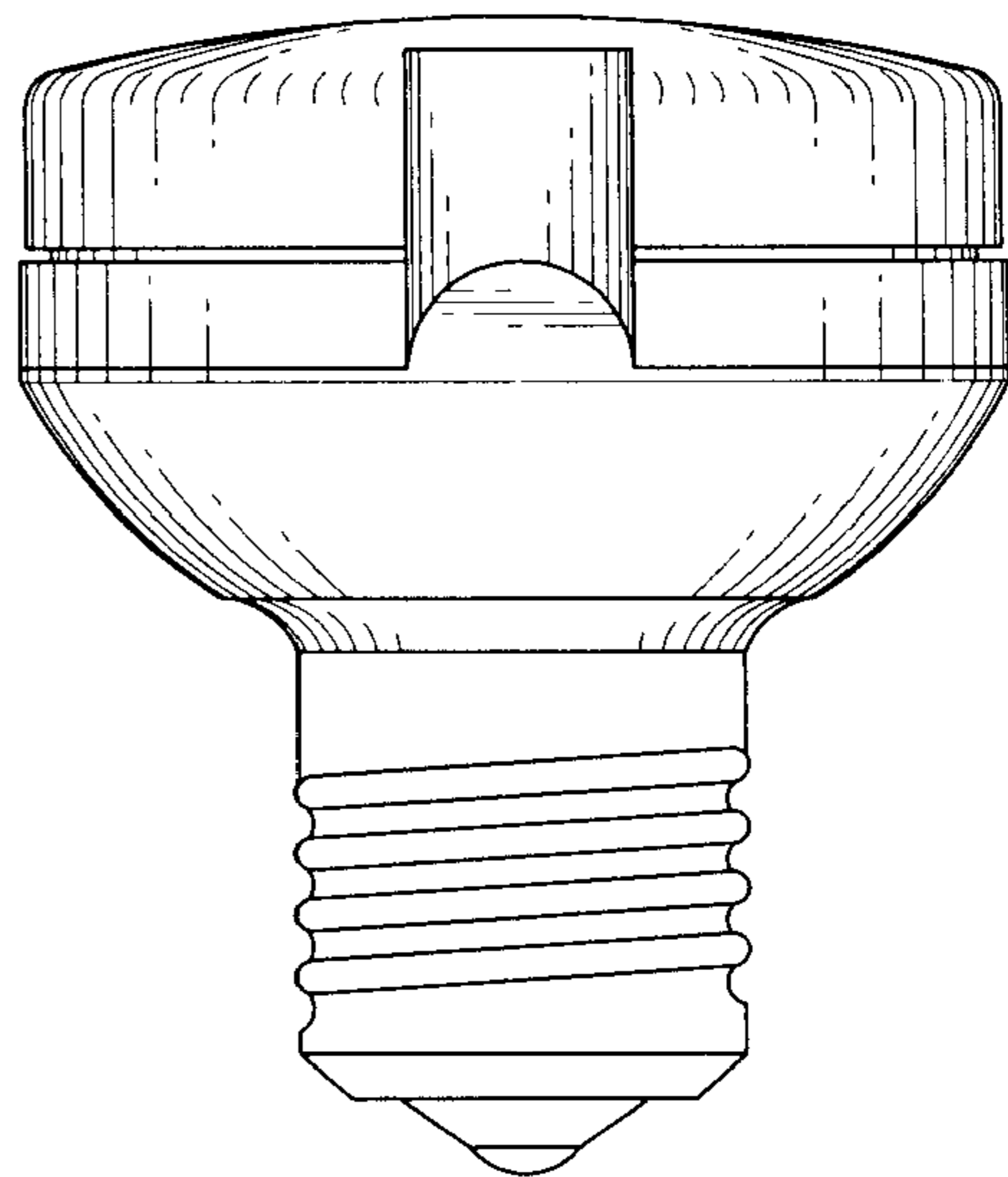


FIG. 3

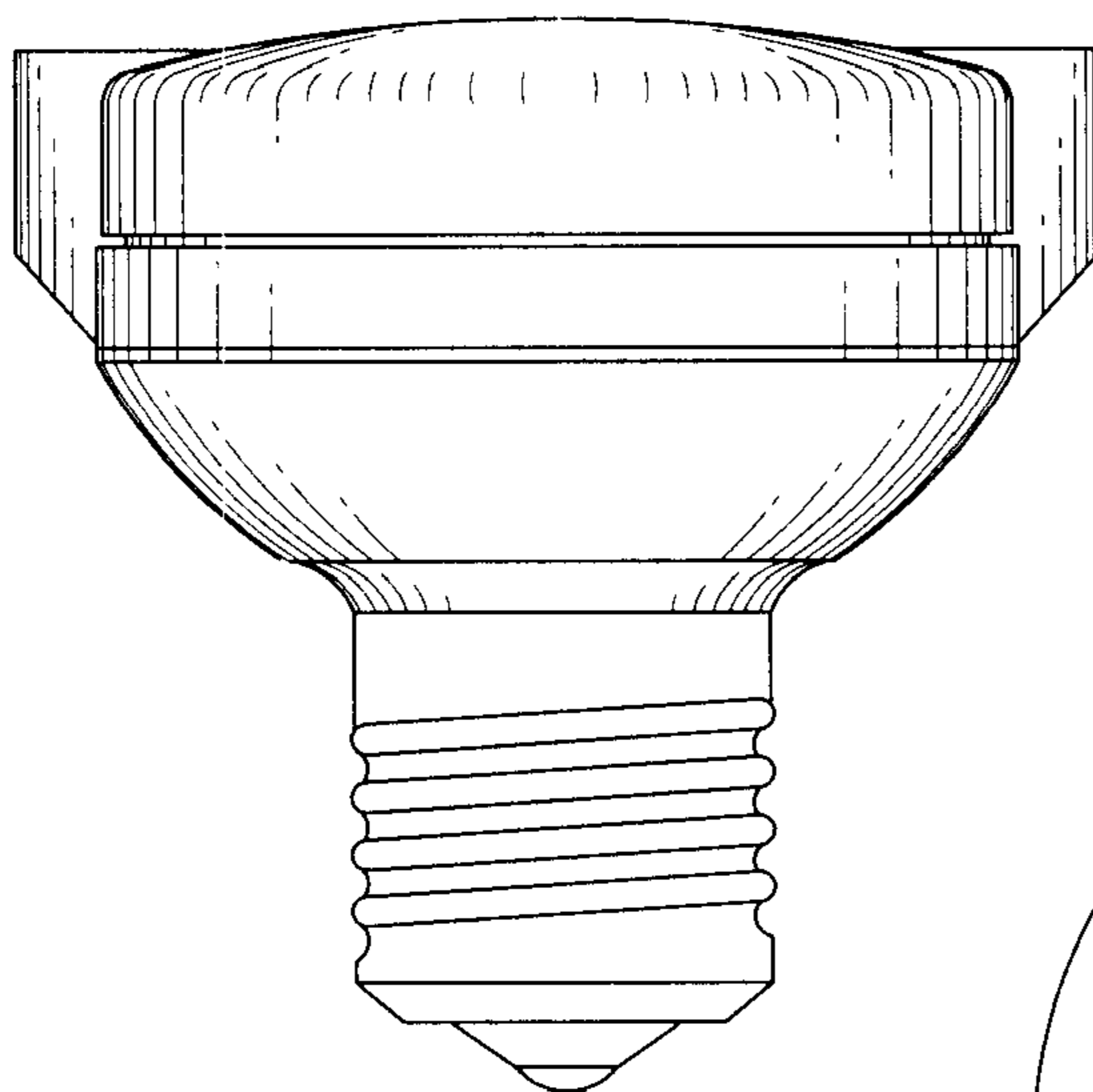


FIG. 4

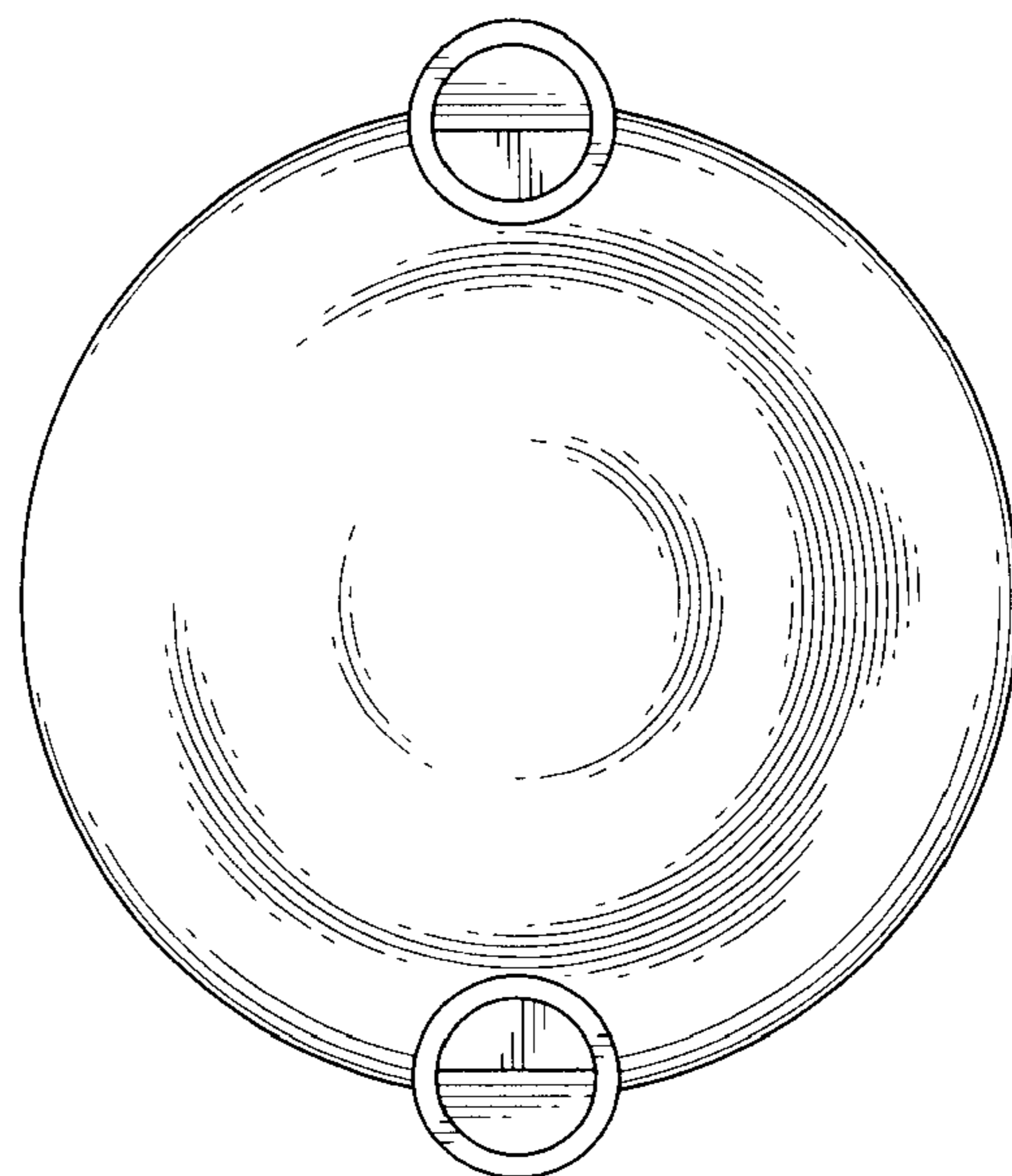


FIG. 5

