



US00D537536S

(12) **United States Design Patent**  
**Piorno**

(10) **Patent No.:** **US D537,536 S**

(45) **Date of Patent:** **\*\* Feb. 27, 2007**

(54) **FENCE POST**

(75) Inventor: **Matias Piorno**, Plantation, FL (US)

(73) Assignee: **Futuristic Fences, Inc.**, Plantation, FL (US)

(\*\*) Term: **14 Years**

(21) Appl. No.: **29/233,566**

(22) Filed: **Jul. 6, 2005**

(51) **LOC (8) Cl.** ..... **25-01**

(52) **U.S. Cl.** ..... **D25/121**

(58) **Field of Classification Search** ..... 256/2,  
256/7, 19, 22, 33, 59, 65.01, 65.02; 52/300;  
D25/38, 126, 39, 42, 44, 45, 46, 135, 121  
See application file for complete search history.

(56) **References Cited**

**U.S. PATENT DOCUMENTS**

D15,982 S	*	3/1885	Adams	.....	D25/126
3,397,866 A	*	8/1968	Hockett	.....	256/22
D233,671 S	*	11/1974	Gay	.....	D25/126
D443,368 S	*	6/2001	Eaton	.....	D25/121

\* cited by examiner

*Primary Examiner*—Doris Clark

(74) *Attorney, Agent, or Firm*—Lott & Friedland, P.A.

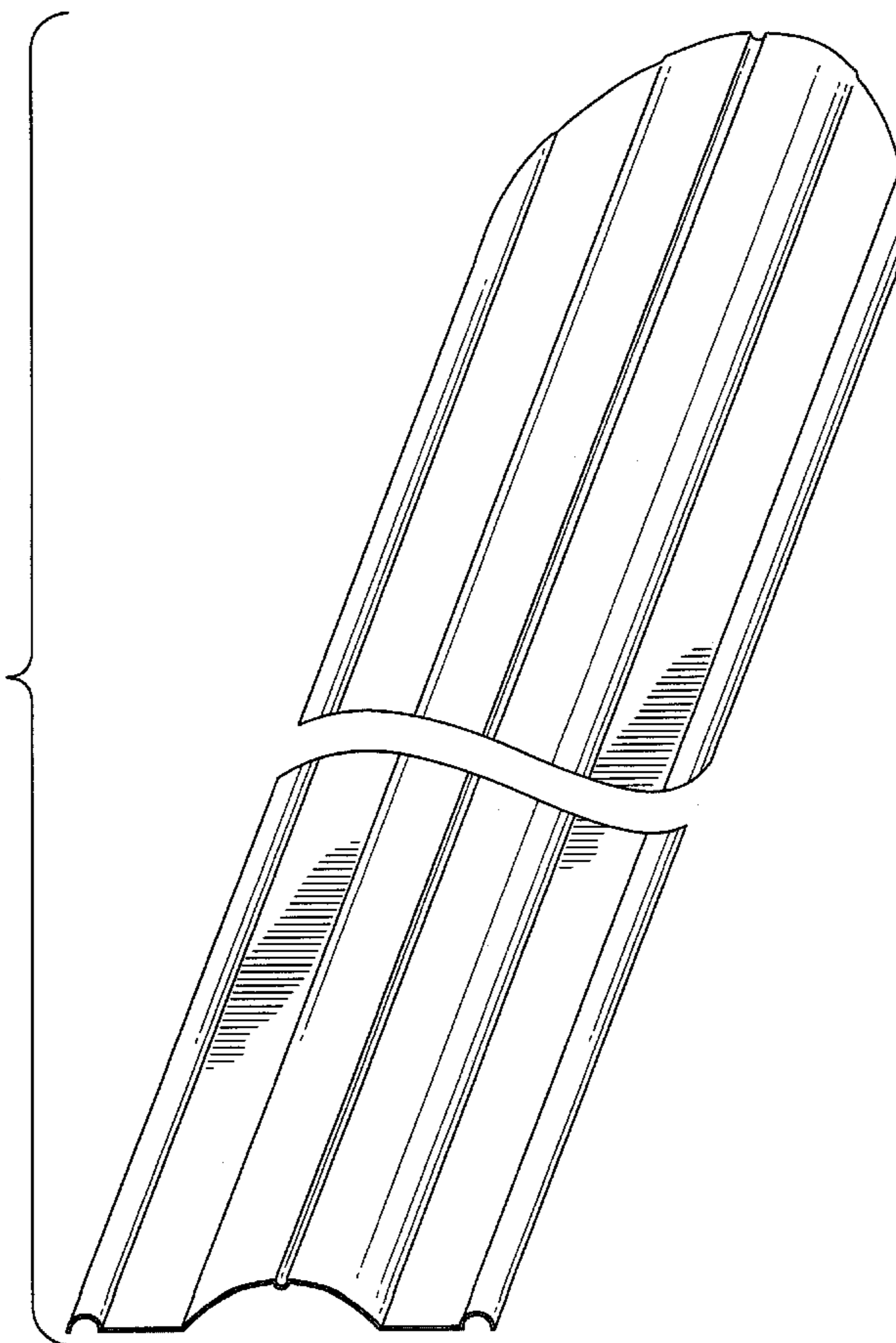
(57) **CLAIM**

The ornamental design for a fence post, as shown and described.

**DESCRIPTION**

FIG. 1 is a perspective view of the fence post of the present invention with a break-away to illustrate an indeterminant length feature of the fence post of the present invention; FIG. 2 is a top view of the fence post shown in of FIG. 1; FIG. 3 is a bottom view of the fence post shown in of FIG. 1; FIG. 4 is a front elevational view of the fence post shown in FIG. 1, with a break-away to illustrate an indeterminant length feature of the fence post of the present invention; FIG. 5 is a rear elevational view of the fence post shown in FIG. 1, with a break-away to illustrate an indeterminant length feature of the fence post of the present invention; and, FIG. 6 is a right side elevational view of the fence post shown in FIG. 1, the left side elevational view being a mirror image thereof, with a break-away to illustrate an indeterminant length feature of the fence post of the present invention.

**1 Claim, 5 Drawing Sheets**



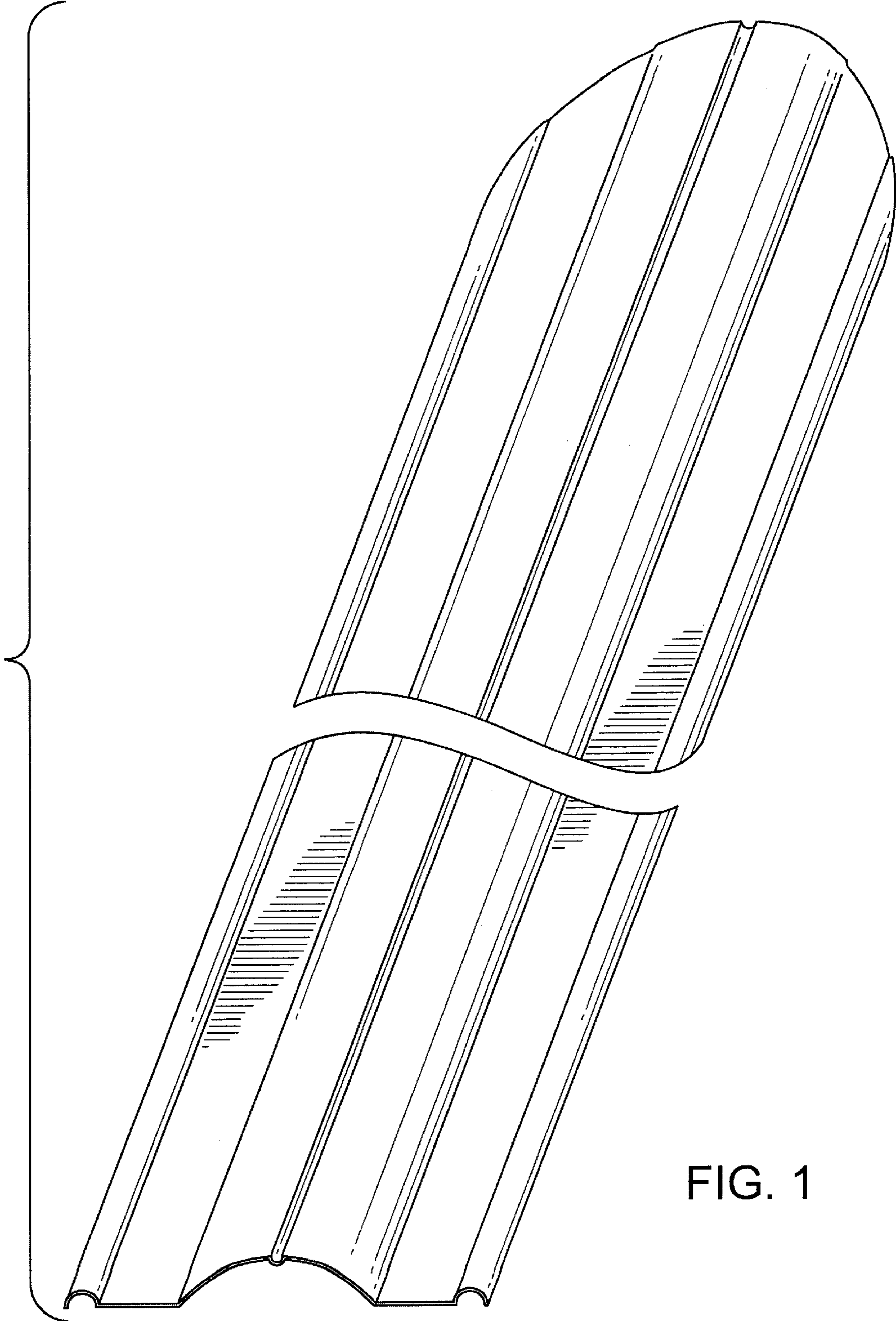


FIG. 1

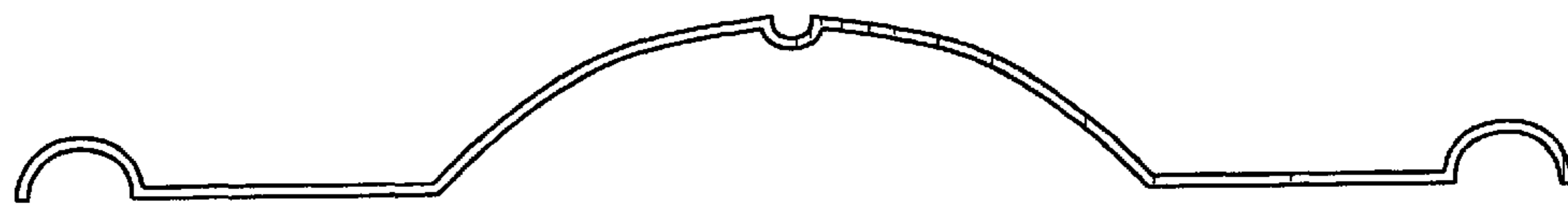


FIG. 2

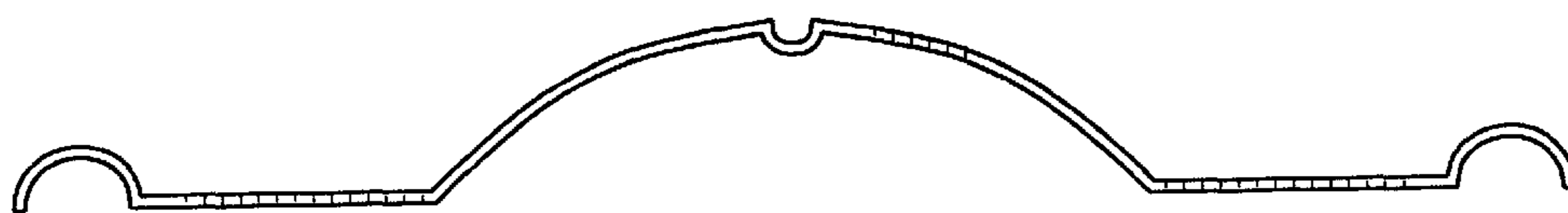


FIG. 3

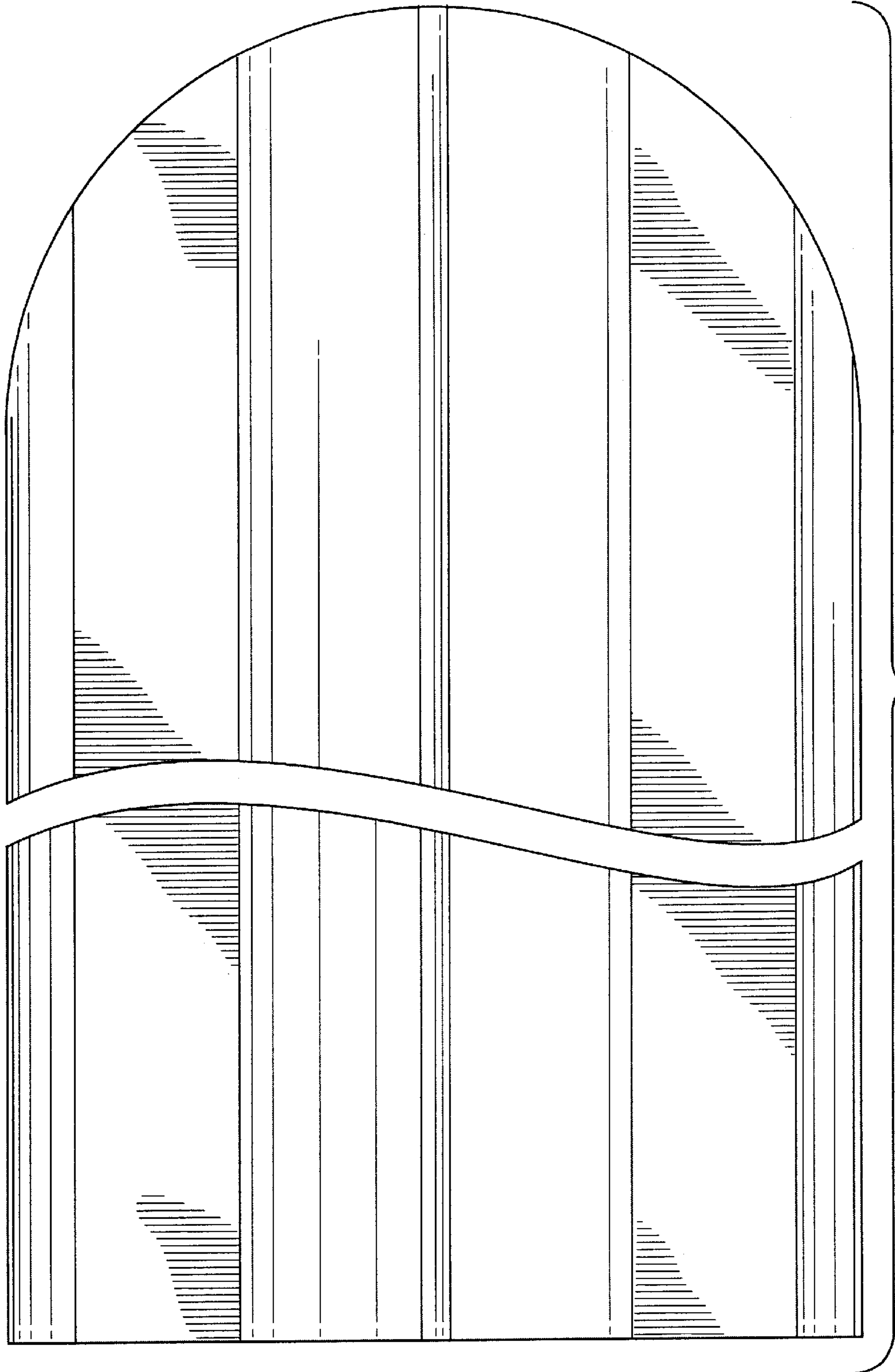


FIG. 4

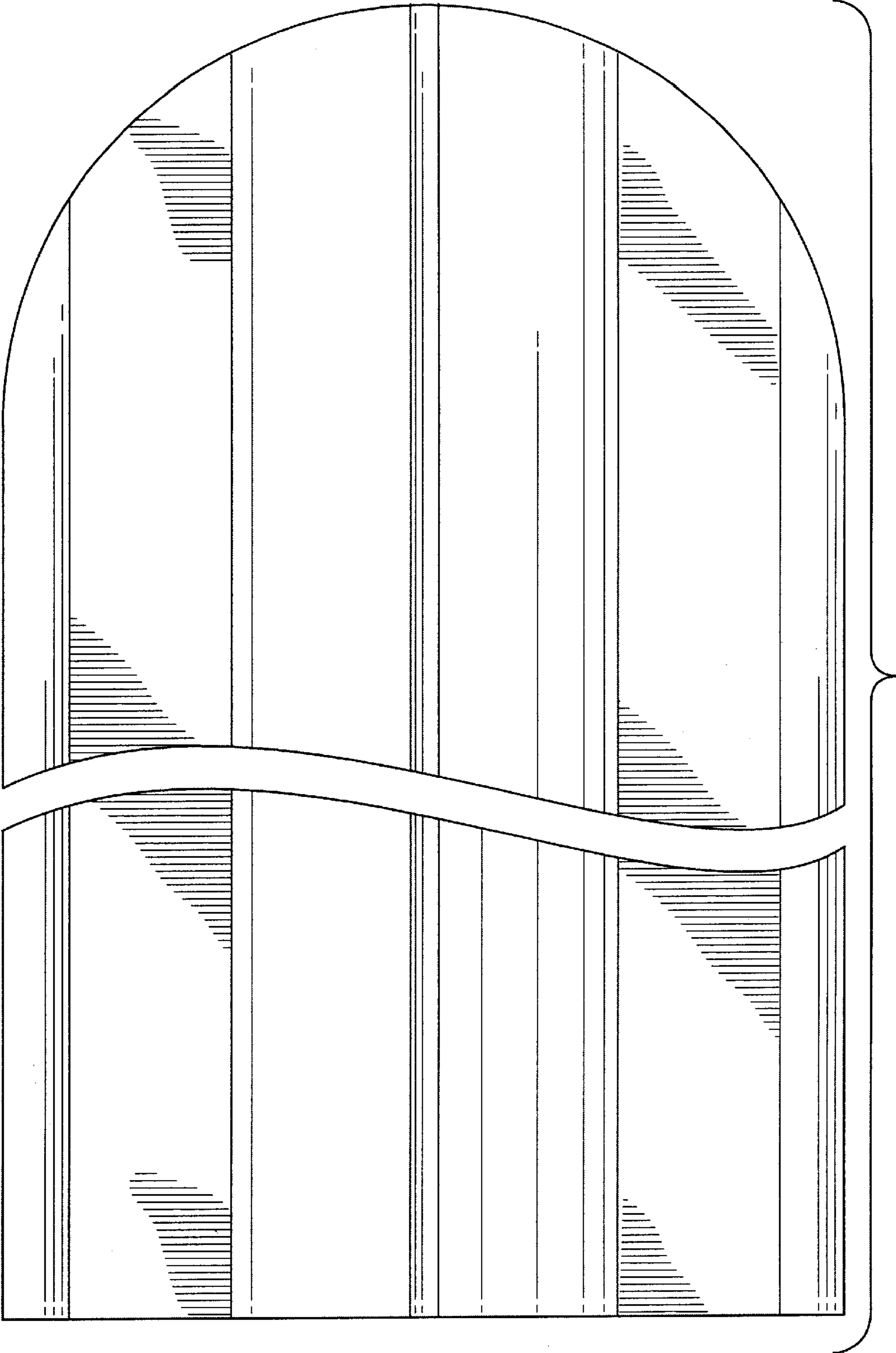


FIG. 5

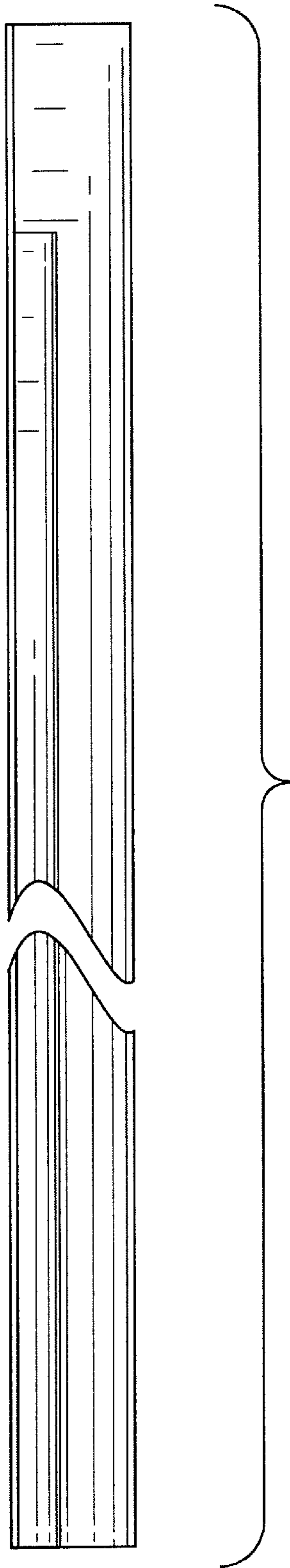


FIG. 6