



US00D537530S

(12) **United States Design Patent**
Fraser

(10) **Patent No.:** **US D537,530 S**

(45) **Date of Patent:** **** Feb. 27, 2007**

(54) **MEDICINE CRUSHER**

(76) Inventor: **Dale A. Fraser**, Box 5, Site 520, RR5,
Brandon, Manitoba (CA)

(**) Term: **14 Years**

(21) Appl. No.: **29/244,905**

(22) Filed: **Dec. 15, 2005**

(51) **LOC (8) Cl.** **24-02**

(52) **U.S. Cl.** **D24/220**

(58) **Field of Classification Search** D24/216-231;
D7/372, 679, 682; 241/169.2, 199
See application file for complete search history.

(56) **References Cited**

U.S. PATENT DOCUMENTS

D233,533	S	*	11/1974	Ocel	D24/220
4,003,523	A	*	1/1977	Doolittle	241/169.2
4,341,356	A	*	7/1982	Hiott et al.	241/DIG. 27
D285,966	S		9/1986	Porter		
D310,564	S	*	9/1990	Besaw	D24/220
5,067,666	A		11/1991	Sussman		
5,178,337	A		1/1993	Lupoli		
D337,828	S		7/1993	Gordon		
D405,889	S		2/1999	Parsons		
5,915,637	A		6/1999	Parsons		
5,924,636	A	*	7/1999	Calderon	241/169
D433,148	S	*	10/2000	Dennis	D24/220
6,357,679	B1	*	3/2002	Radke	241/169.1
6,508,424	B1		1/2003	Marshall		

6,637,683 B1 * 10/2003 (Lomax) Wilbur 241/169.2
6,637,685 B1 10/2003 Kruger
6,966,509 B2 11/2005 Janzen

* cited by examiner

Primary Examiner—Robert A. Delehanty

Assistant Examiner—Mark Cavanna

(74) *Attorney, Agent, or Firm*—Michael L. Leetzow, P.A.

(57) **CLAIM**

The ornamental design for a medicine crusher, as shown and described.

DESCRIPTION

FIG. 1 is a top perspective view of a medicine crusher showing my new design;

FIG. 2 is a front view thereof;

FIG. 3 is a rear view thereof;

FIG. 4 is a left side view thereof;

FIG. 5 is a right side view thereof;

FIG. 6 is a top side view thereof;

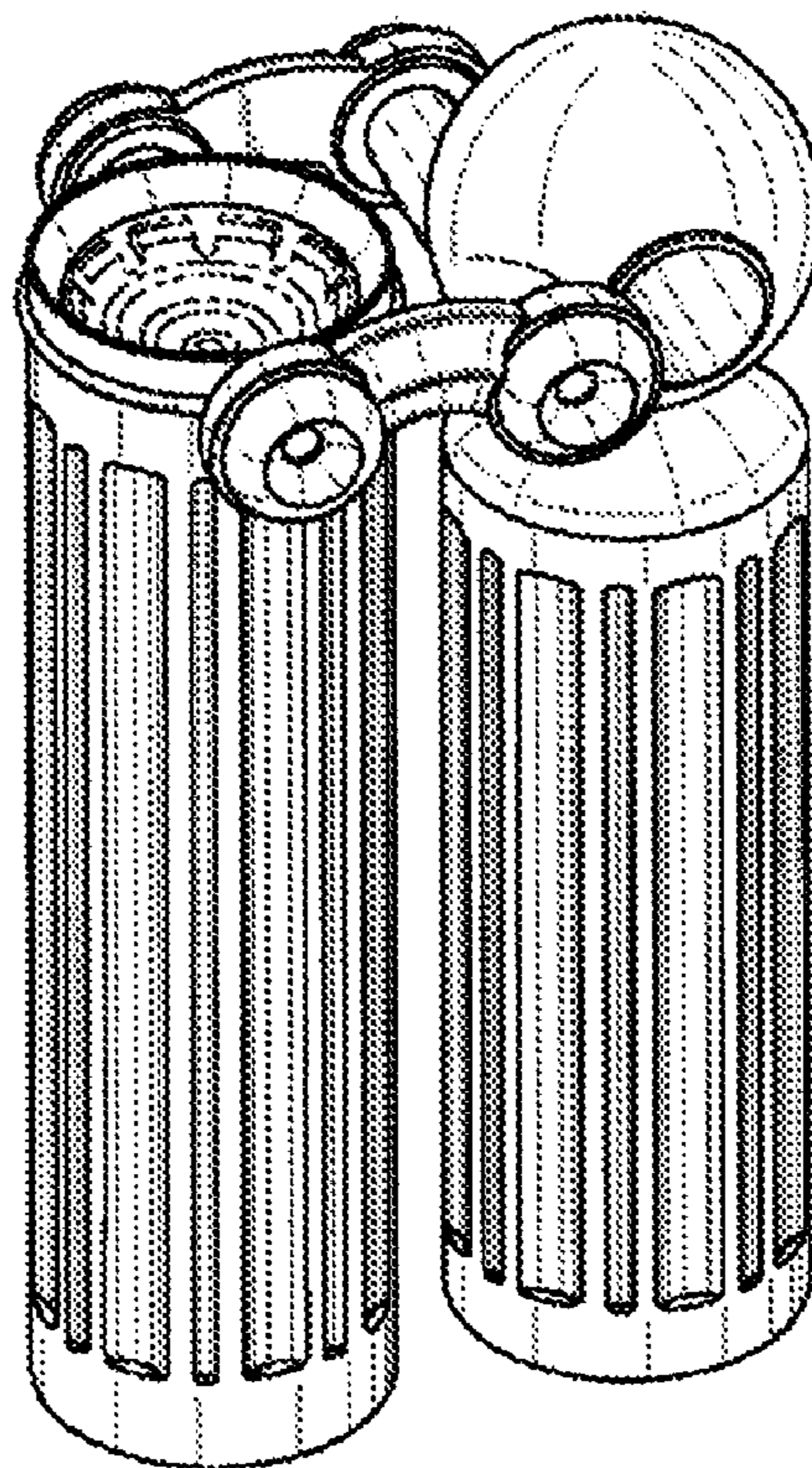
FIG. 7 is a bottom view thereof;

FIG. 8 is a right side view thereof with one handle shown in a first alternative position; and,

FIG. 9 is a right side view thereof with one handle shown in a second alternative position.

The broken line illustrations in the drawing figures of the internal portions and bottom portions of the handles are for illustrative purposes only and form no part of the claimed design.

1 Claim, 6 Drawing Sheets



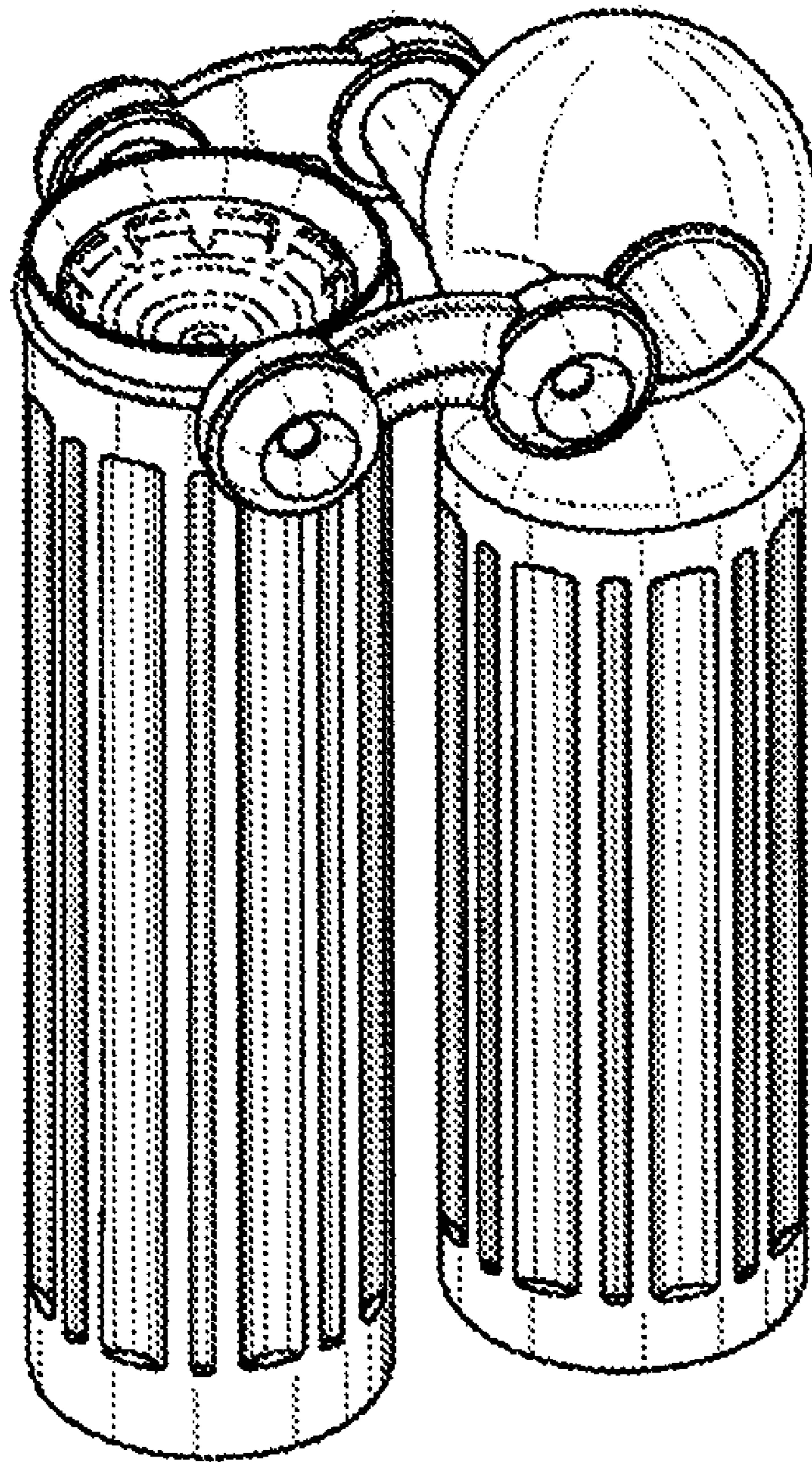


Fig. 1

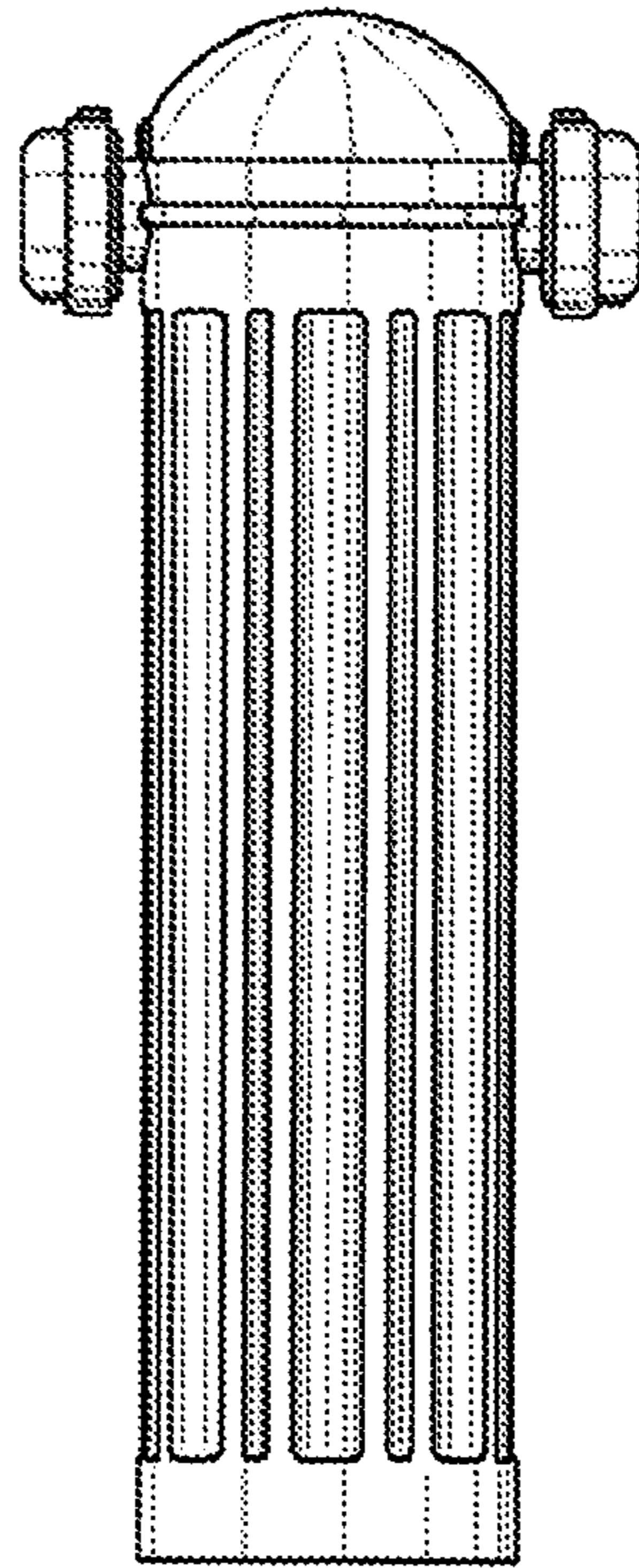


Fig. 2

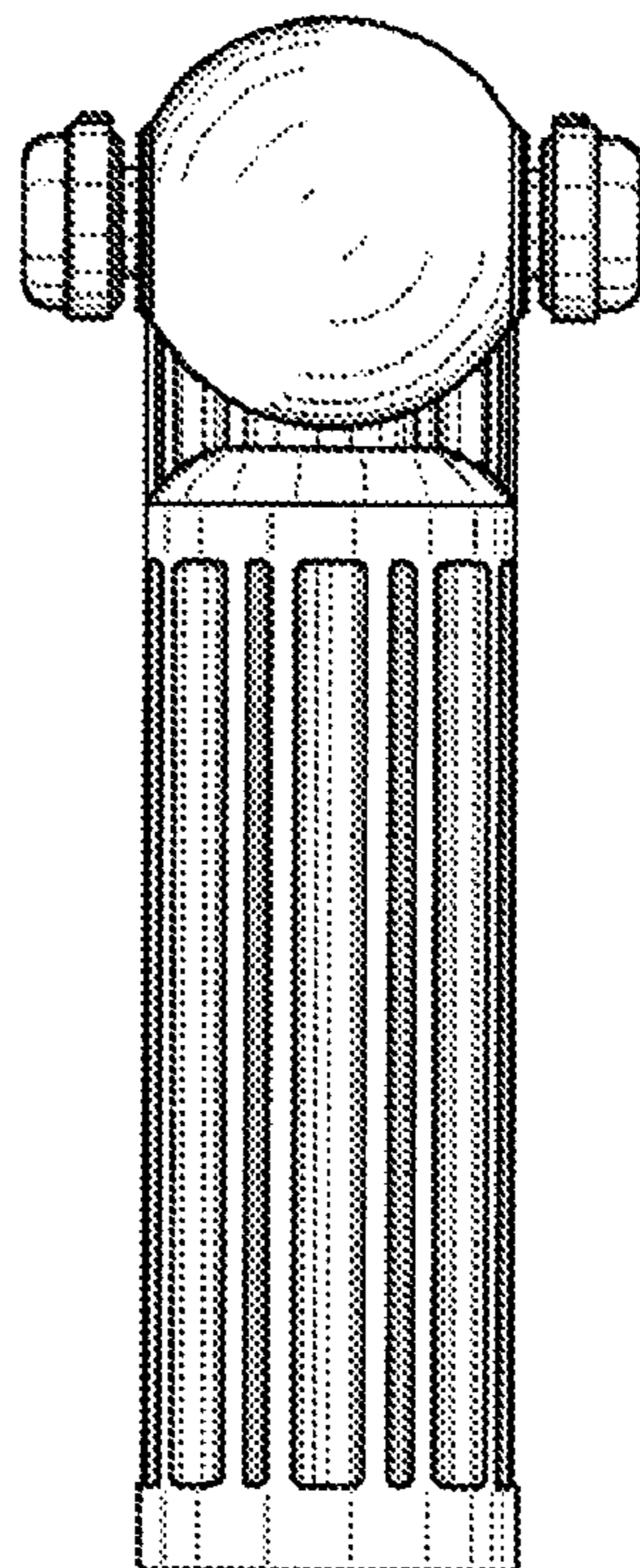


Fig. 3

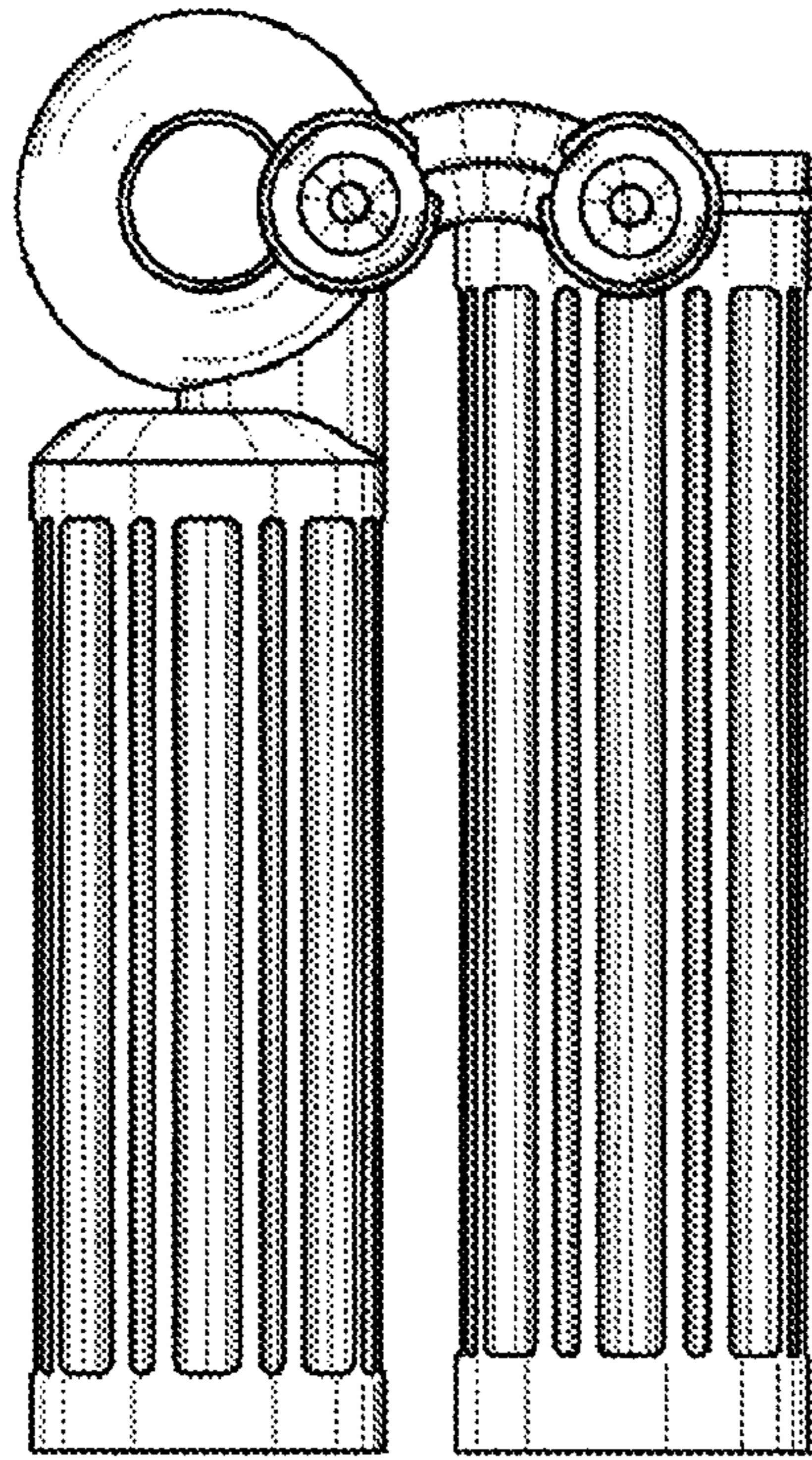


Fig. 4

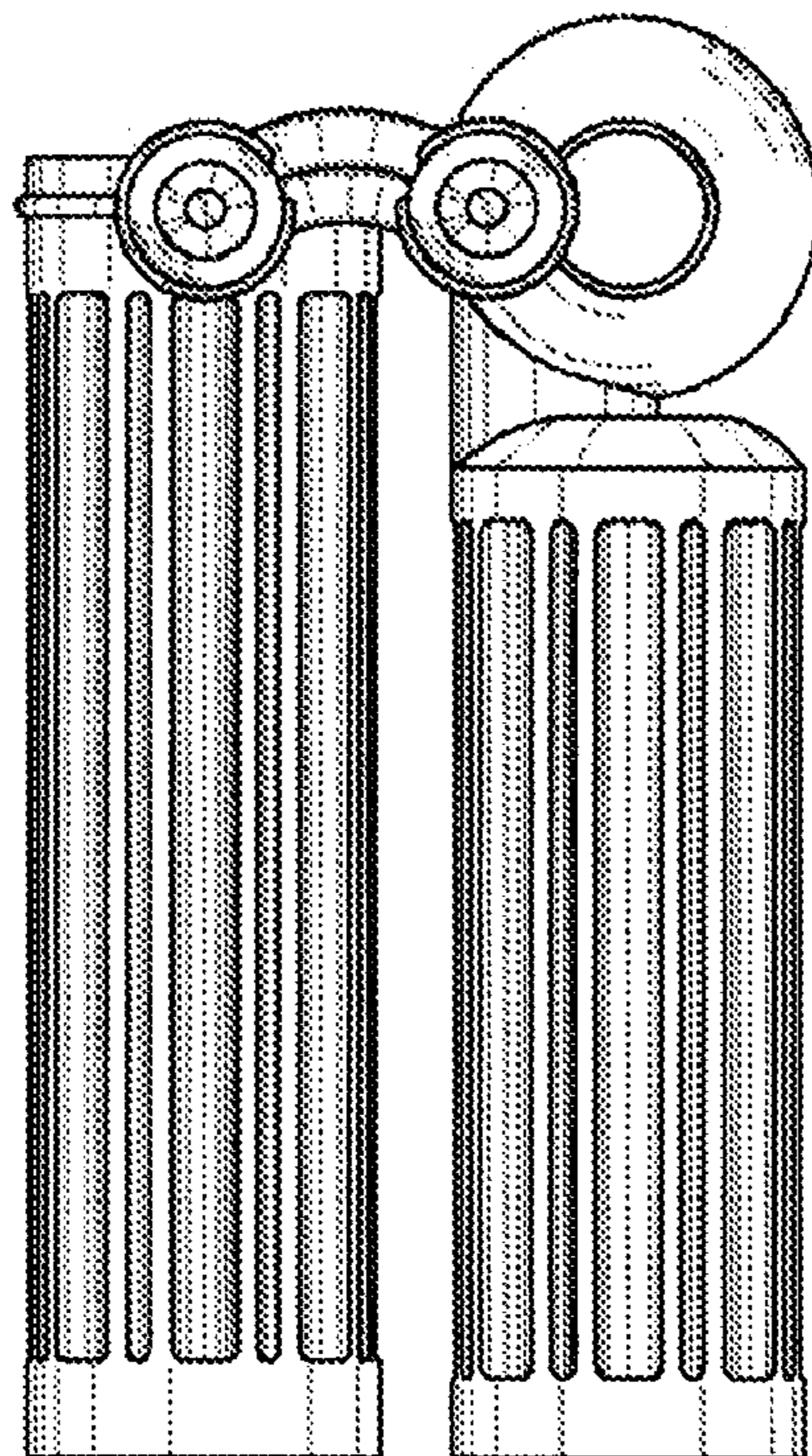


Fig. 5

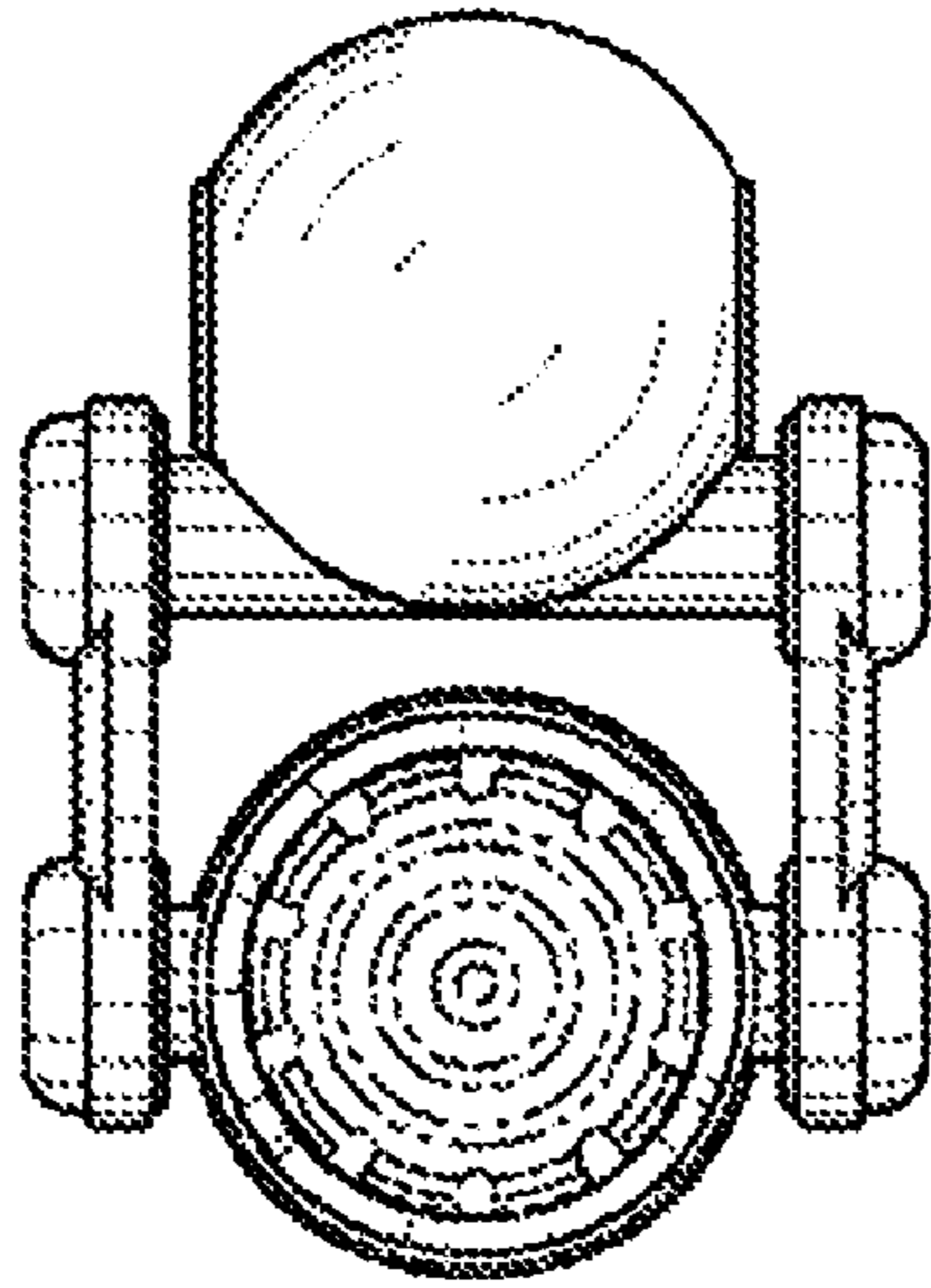


Fig. 6

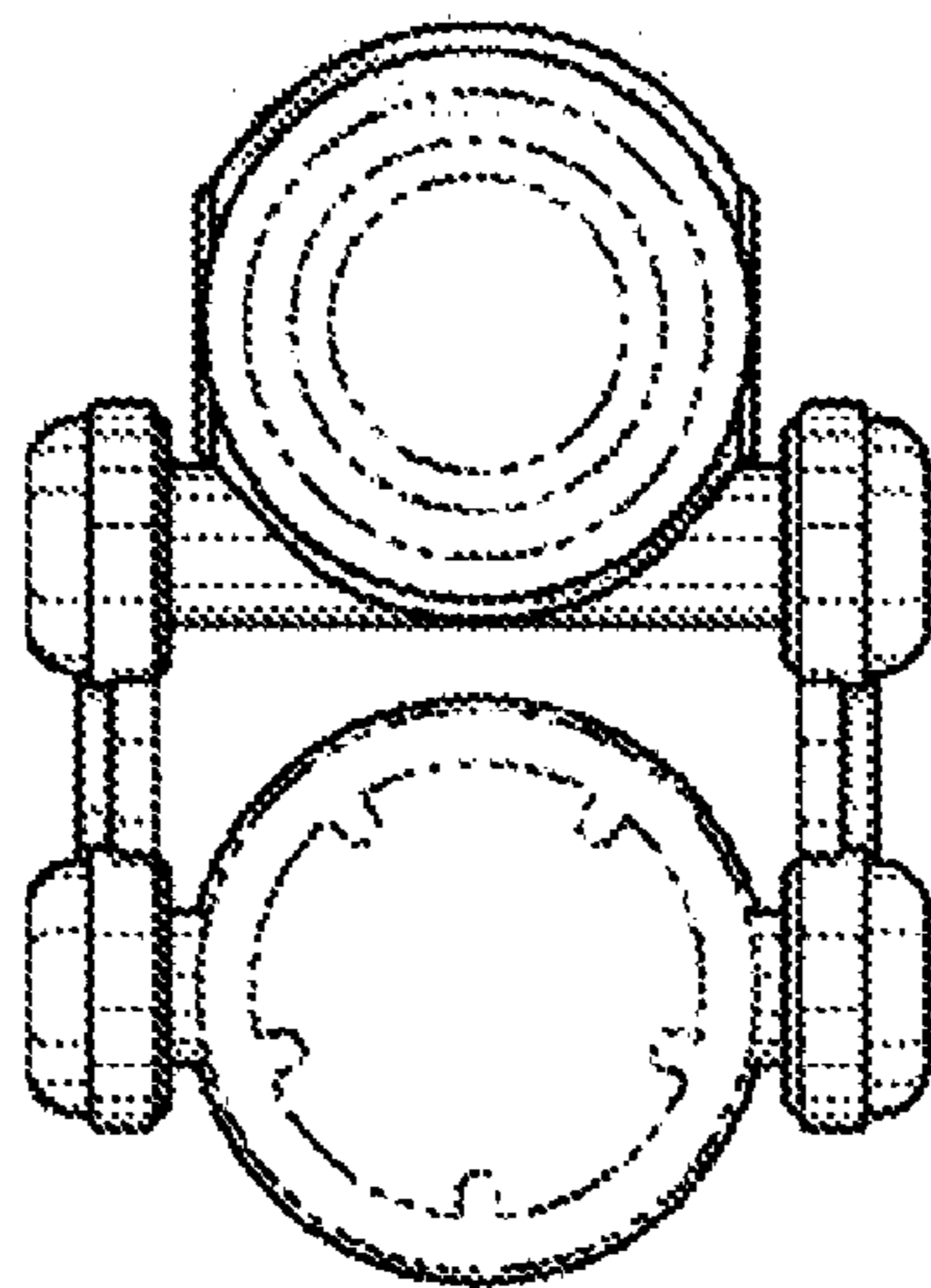


Fig. 7

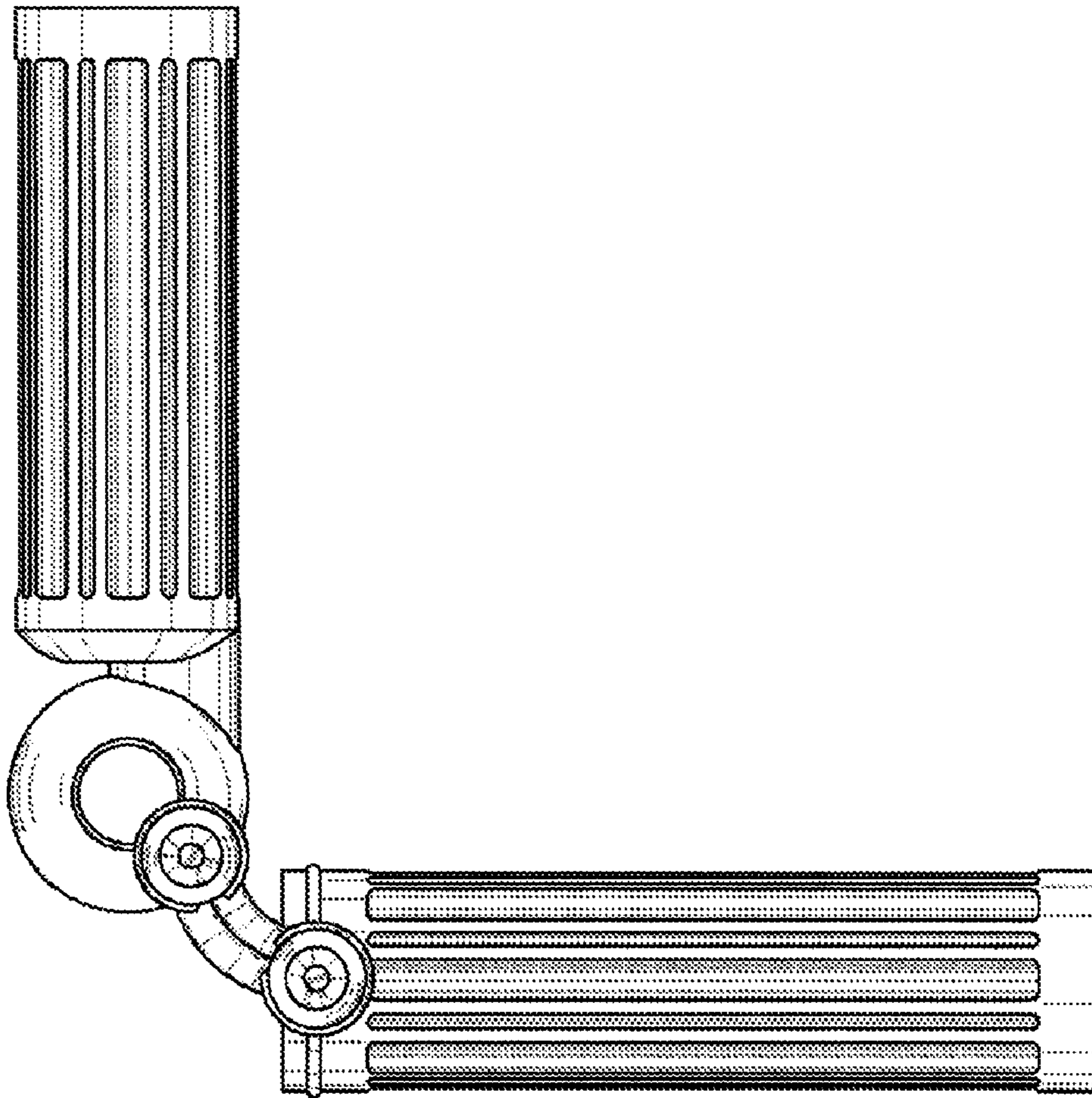


Fig. 8

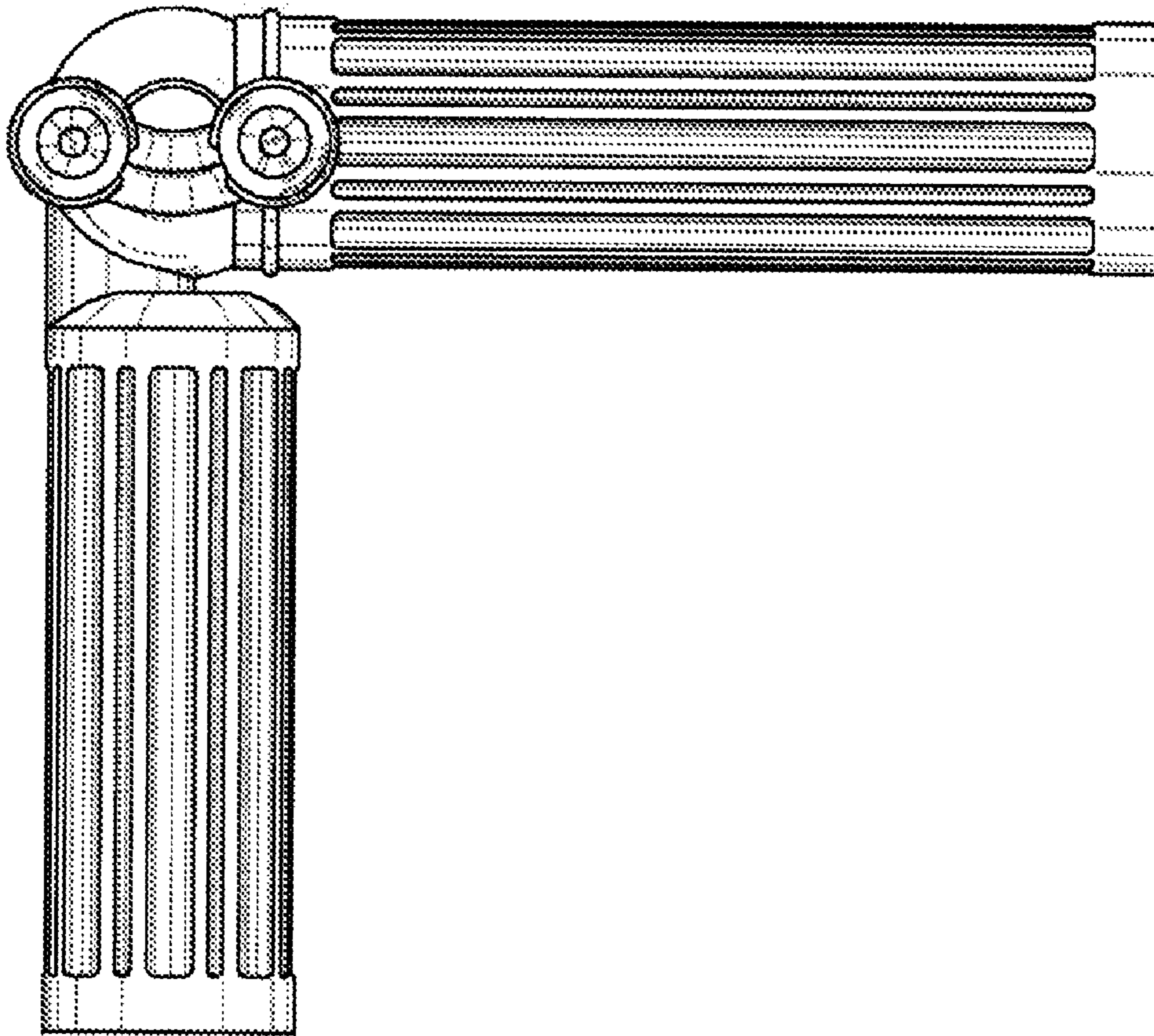


Fig. 9