

US00D537528S

(12) **United States Design Patent** (10) **Patent No.:** **US D537,528 S**
Christensen et al. (45) **Date of Patent:** **** Feb. 27, 2007**

(54) **GUARDED BLADE ASSEMBLY**

(75) Inventors: **James M. Christensen**, Glendora, CA (US); **William E. Hagel**, Chelmsford, MA (US)

(73) Assignee: **Oasis Medical, Inc.**, Glendora, CA (US)

(**) Term: **14 Years**

(21) Appl. No.: **29/232,718**

(22) Filed: **Jun. 22, 2005**

(51) **LOC (8) Cl.** **24-02**

(52) **U.S. Cl.** **D24/147**

(58) **Field of Classification Search** D24/133, D24/145, 146, 147; D8/107, 99, 91, 83; 606/166, 606/167, 161, 184, 185; 600/566

See application file for complete search history.

(56) **References Cited**

U.S. PATENT DOCUMENTS

| | | | |
|--------------|---------|----------------------|---------|
| D283,544 S | 4/1986 | Schmidt et al. | |
| D359,356 S | 6/1995 | Werner | |
| 5,620,453 A | 4/1997 | Nallakrishnan | |
| 5,792,162 A | 8/1998 | Jolly et al. | |
| 5,827,309 A | 10/1998 | Jolly et al. | |
| 5,908,432 A | 6/1999 | Pan | |
| 5,924,206 A | 7/1999 | Cote et al. | |
| D421,303 S | 2/2000 | Cote et al. | |
| D466,214 S | 11/2002 | Otsuka | |
| 6,503,262 B1 | 1/2003 | Edens | |
| 6,569,175 B1 | 5/2003 | Robinson | |
| 6,757,977 B2 | 7/2004 | Dambal et al. | |
| D496,730 S | 9/2004 | Morawski et al. | |
| D504,513 S * | 4/2005 | Morawski et al. | D24/147 |

* cited by examiner

Primary Examiner—Antoine D. Davis

Assistant Examiner—Christopher Lee

(74) *Attorney, Agent, or Firm*—Koppel Patrick & Heybl; Michael J. Ram

(57) **CLAIM**

The ornamental design for a guarded blade assembly, as shown and described.

DESCRIPTION

FIG. 1 is perspective view of a guarded blade assembly with the blade holder extended as it would appear to expose the blade;

FIG. 2 is a top view of the guarded blade assembly shown in FIG. 1;

FIG. 3 is a left side view of the guarded blade assembly shown in FIG. 1;

FIG. 4 is a right side view of the guarded blade assembly shown in FIG. 1;

FIG. 5 is a bottom view of the guarded blade assembly shown in FIG. 1;

FIG. 6 is a front view of the guarded blade assembly shown in FIG. 1;

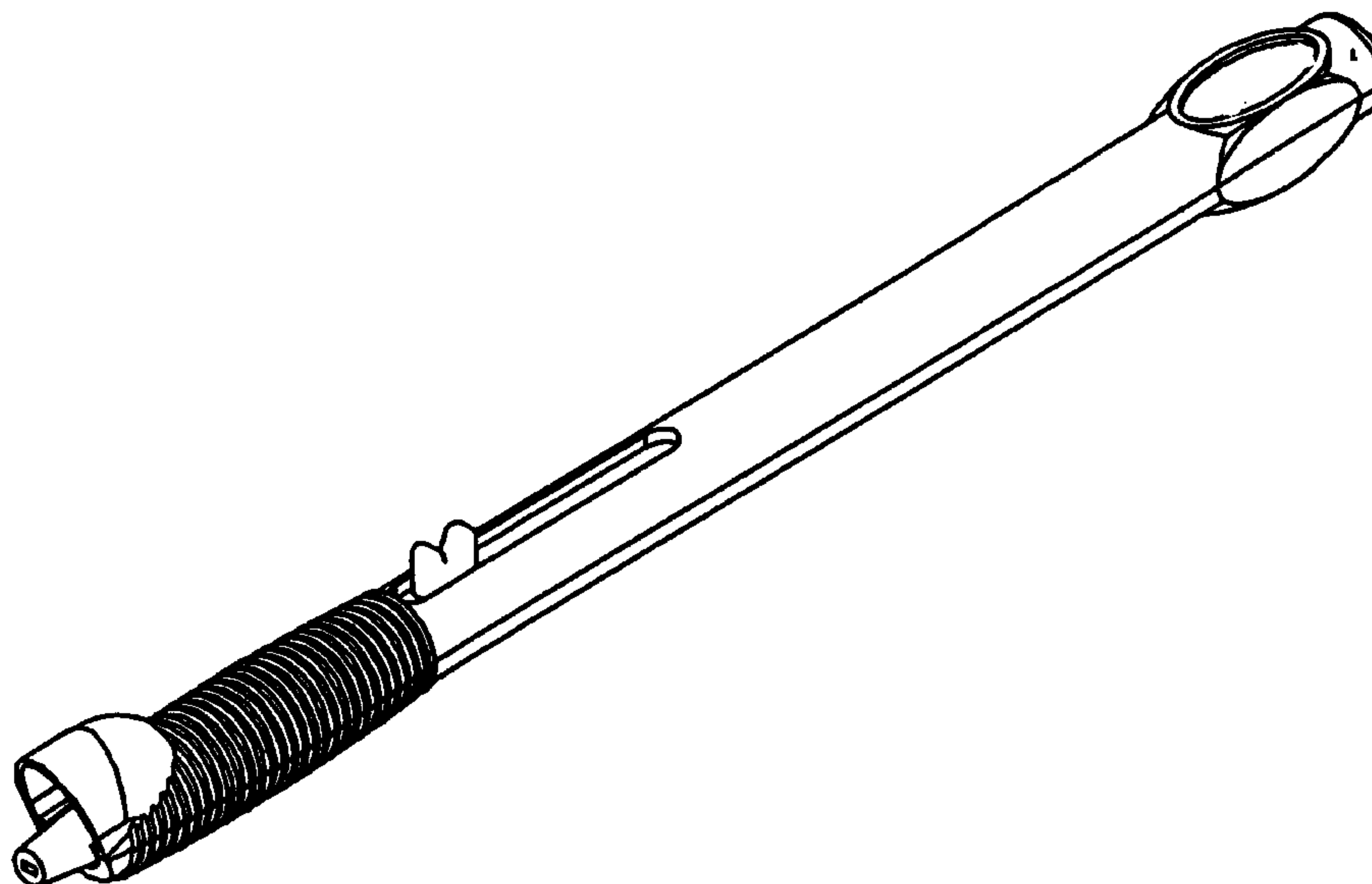
FIG. 7 is a rear view of the guarded blade assembly shown in FIG. 1;

FIG. 8 is a top view of the guarded blade assembly with the blade holder retracted as it would appear with the blade no longer exposed shown in FIG. 10.

FIG. 9 is a left side view of the guarded blade assembly with the blade holder retracted as it would appear with the blade no longer exposed shown in FIG. 10; and,

FIG. 10 is a perspective view of guarded blade assembly with the blade holder retracted as it would appear with the blade no longer exposed.

1 Claim, 5 Drawing Sheets



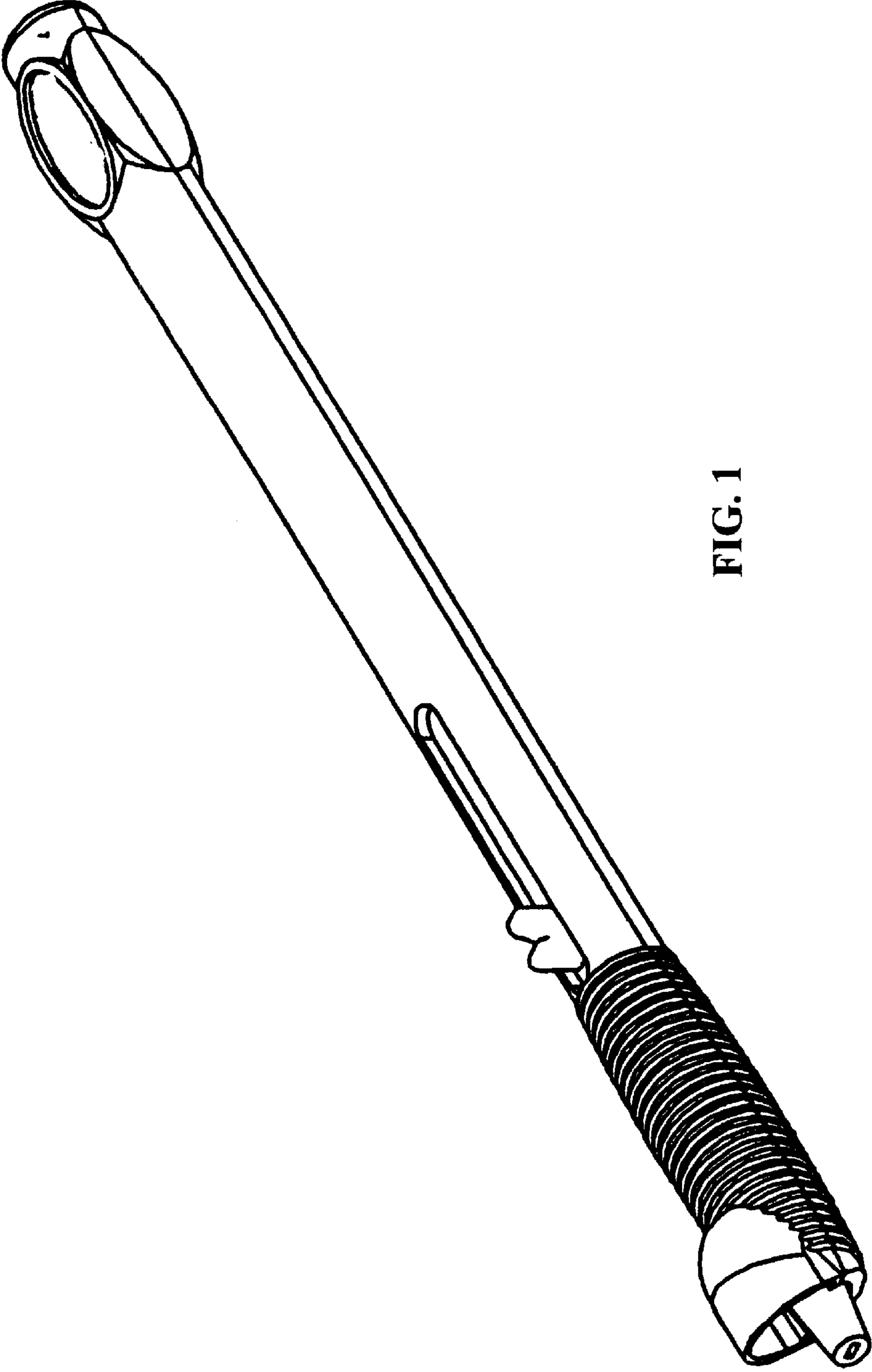


FIG. 1

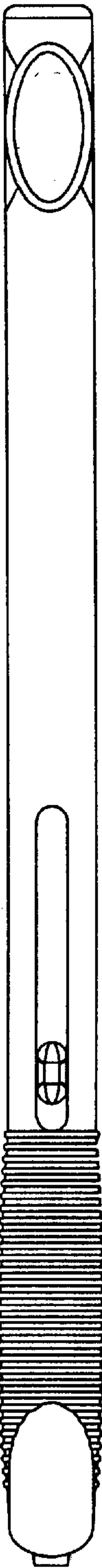


FIG. 2

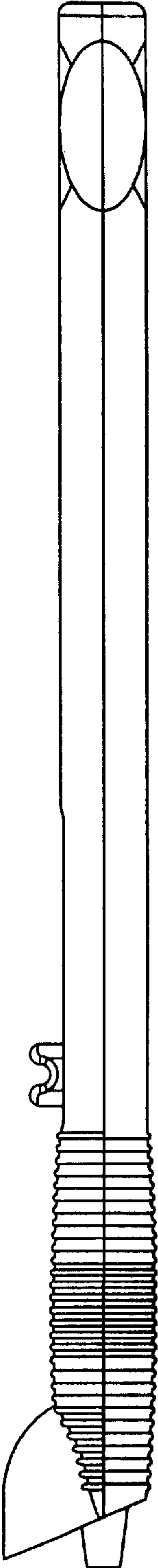


FIG. 3

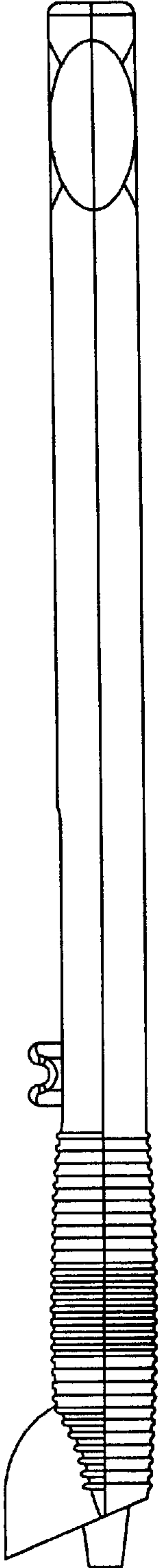


FIG. 4

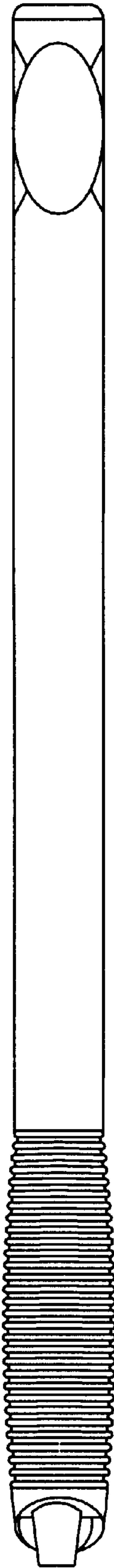


FIG. 5

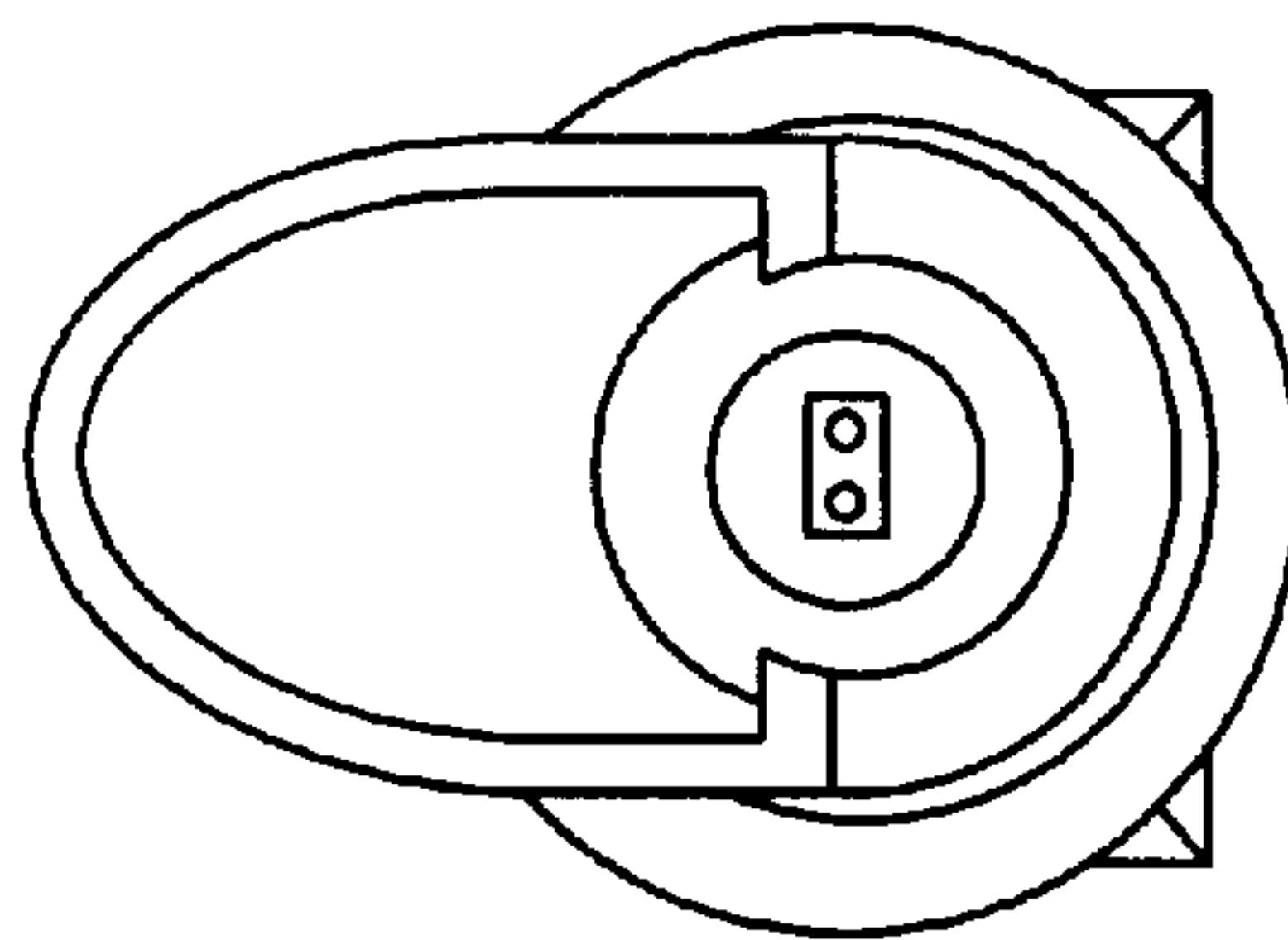


FIG. 6

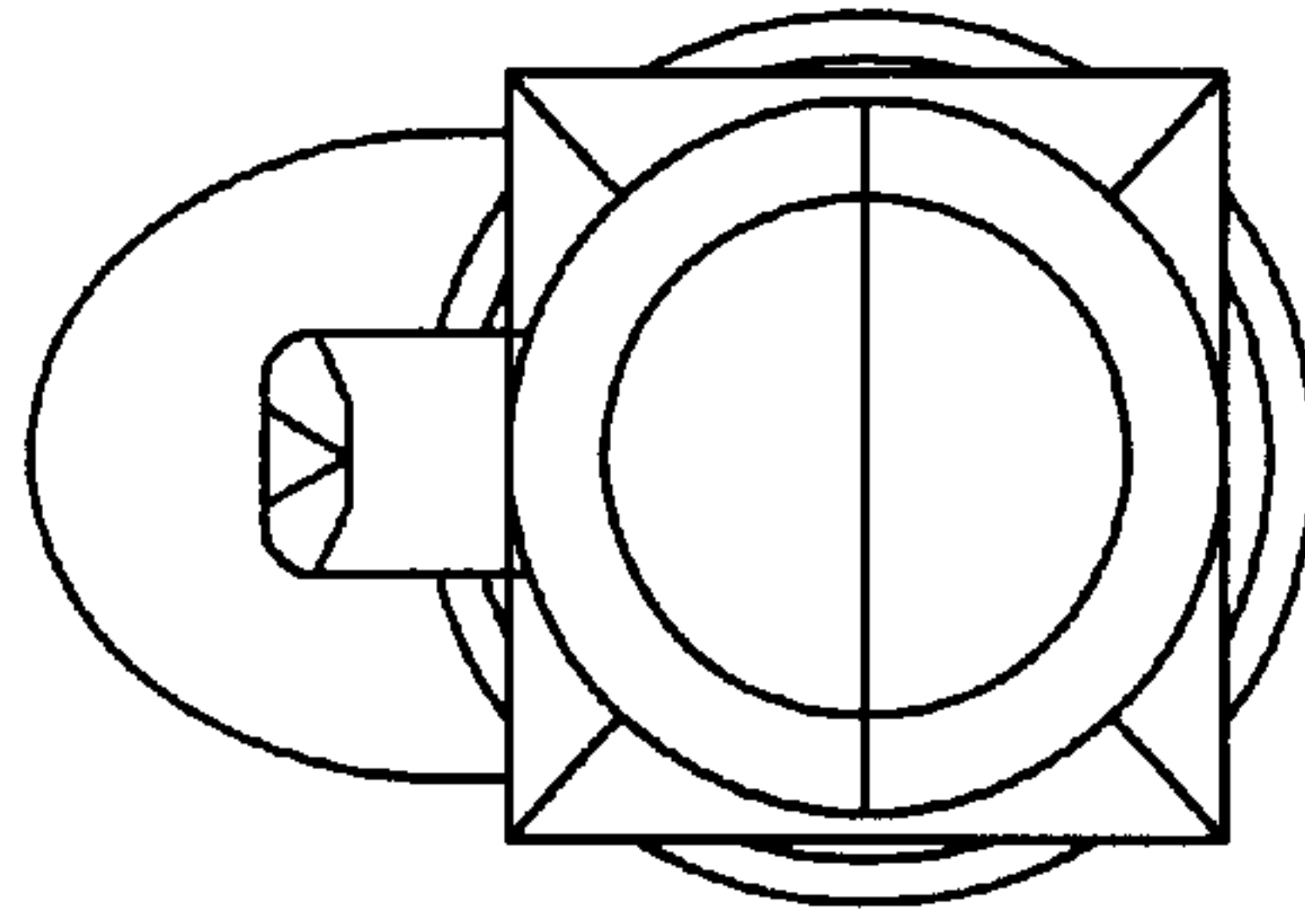


FIG. 7

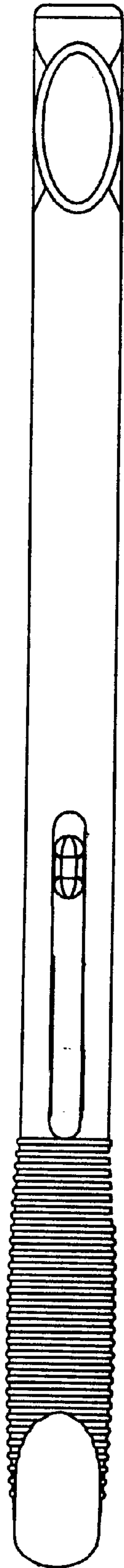


FIG. 8

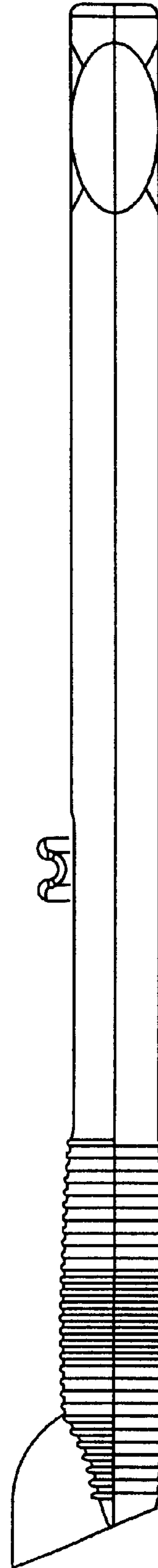


FIG. 9

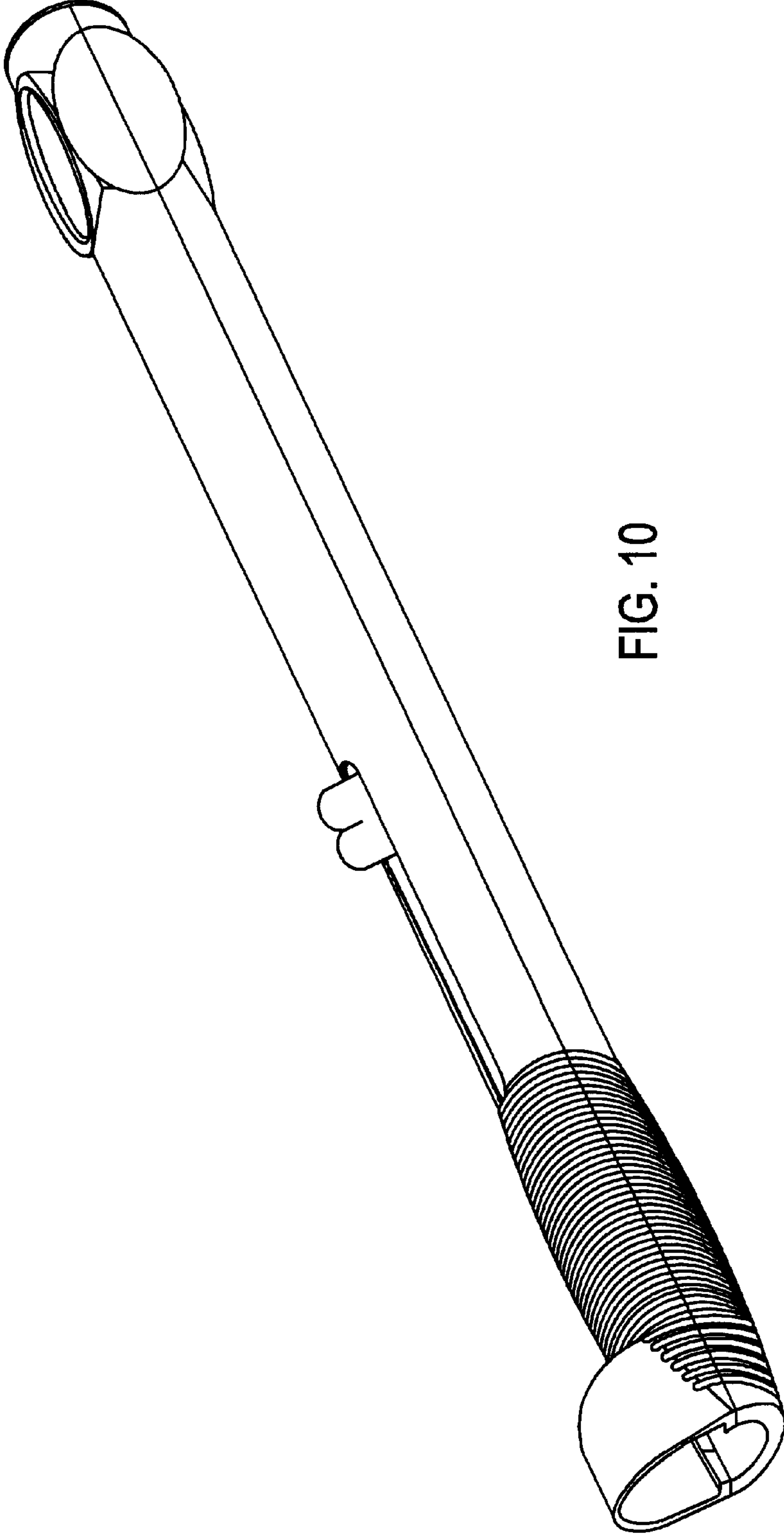


FIG. 10