



US00D537527S

(12) **United States Design Patent**  
**Nakajima et al.**

(10) **Patent No.:** **US D537,527 S**

(45) **Date of Patent:** **\*\* Feb. 27, 2007**

(54) **TREATMENT APPARATUS FOR  
ENDOSCOPE**

6,582,360 B1 \* 6/2003 Torii ..... 600/129  
D498,532 S \* 11/2004 Sawford ..... D24/138  
D498,846 S \* 11/2004 Hayamizu et al. .... D24/138

(75) Inventors: **Kenzo Nakajima**, Tokyo (JP); **Daisuke  
Tainaka**, Tokyo (JP); **Yoshitaka Naito**,  
Tokyo (JP)

\* cited by examiner

*Primary Examiner*—Antoine D. Davis

*Assistant Examiner*—Christopher Lee

(73) Assignee: **Olympus Corporation**, Tokyo (JP)

(74) *Attorney, Agent, or Firm*—Scully, Scott, Murphy &  
Presser, P.C.

(\*\*) Term: **14 Years**

(57) **CLAIM**

(21) Appl. No.: **29/220,842**

The ornamental design for a treatment apparatus for endo-  
scope, as shown and described.

(22) Filed: **Jan. 7, 2005**

(30) **Foreign Application Priority Data**

**DESCRIPTION**

Jul. 15, 2004 (JP) ..... 2004-021377

FIG. 1 is a front elevation view of a treatment apparatus for  
endoscope.

(51) **LOC (8) Cl.** ..... **24-02**

FIG. 2 is a rear elevation view thereof.

(52) **U.S. Cl.** ..... **D24/138**

FIG. 3 is a right side elevation view thereof.

(58) **Field of Classification Search** ..... D24/133,

FIG. 4 is a left side elevation view thereof.

D24/138; 600/160, 130, 132, 110, 156, 158,

FIG. 5 is a top plan view thereof.

600/167, 146; 606/46; 607/101

FIG. 6 is a bottom plan view thereof; and,

See application file for complete search history.

FIG. 7 is a referential view with the treatment apparatus for  
endoscope attached to an endoscope.

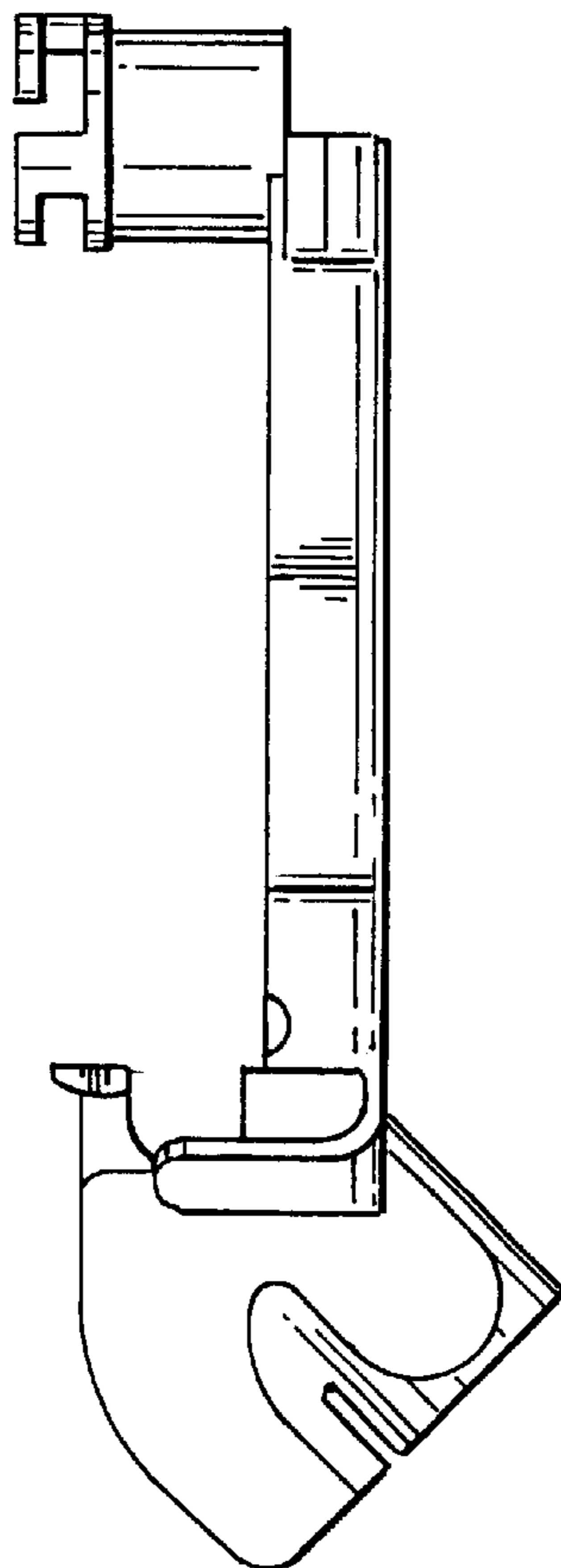
(56) **References Cited**

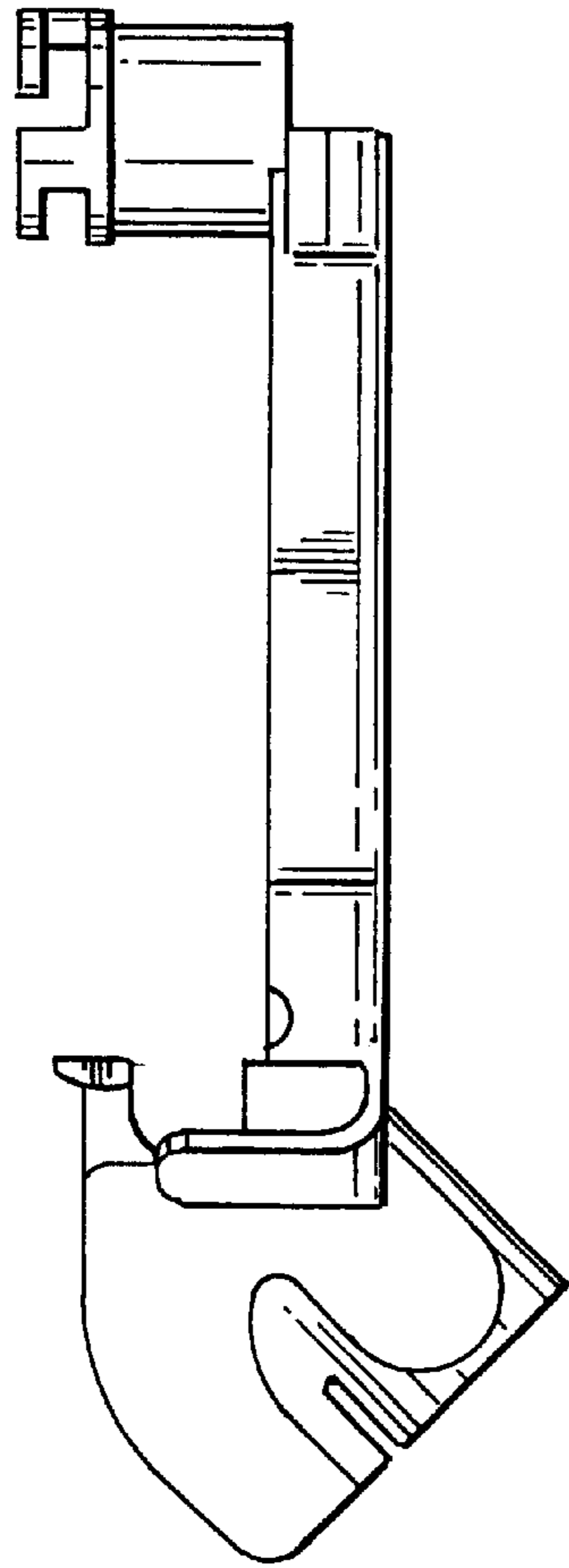
The broken line showing is for illustrative purposes only and  
forms no part of the claimed design.

**U.S. PATENT DOCUMENTS**

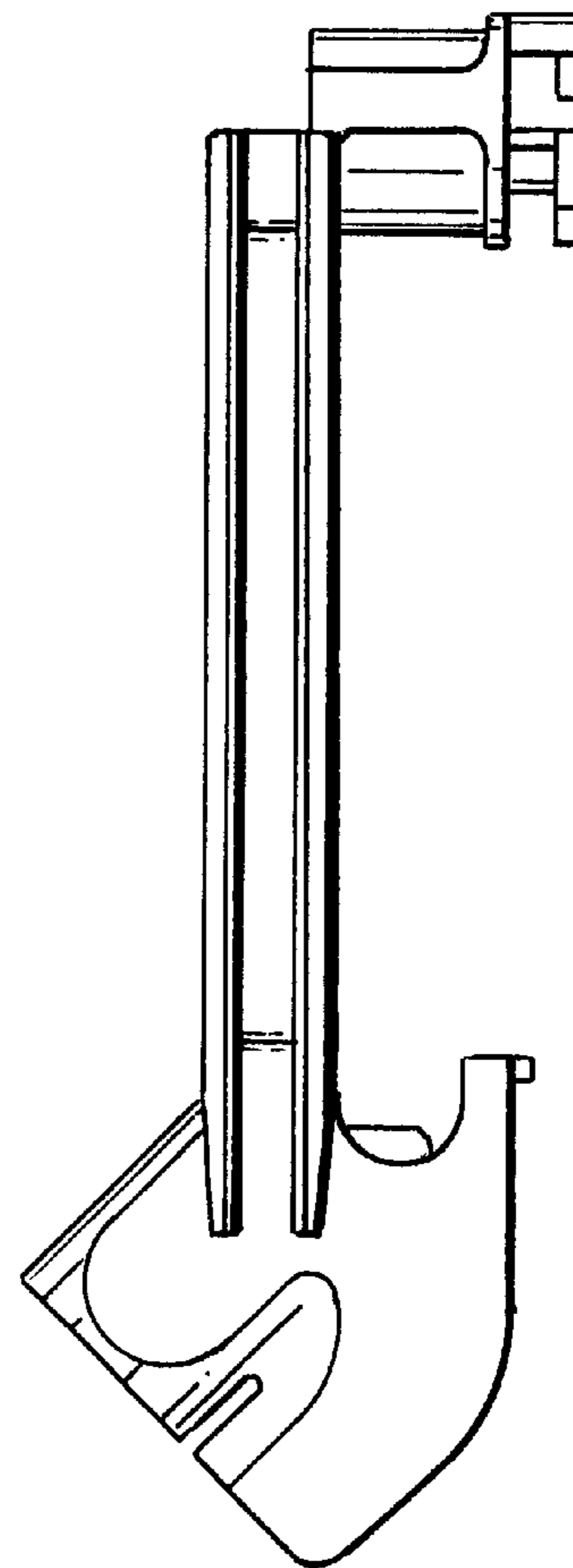
D277,505 S \* 2/1985 Kubokawa et al. .... D24/138

**1 Claim, 3 Drawing Sheets**

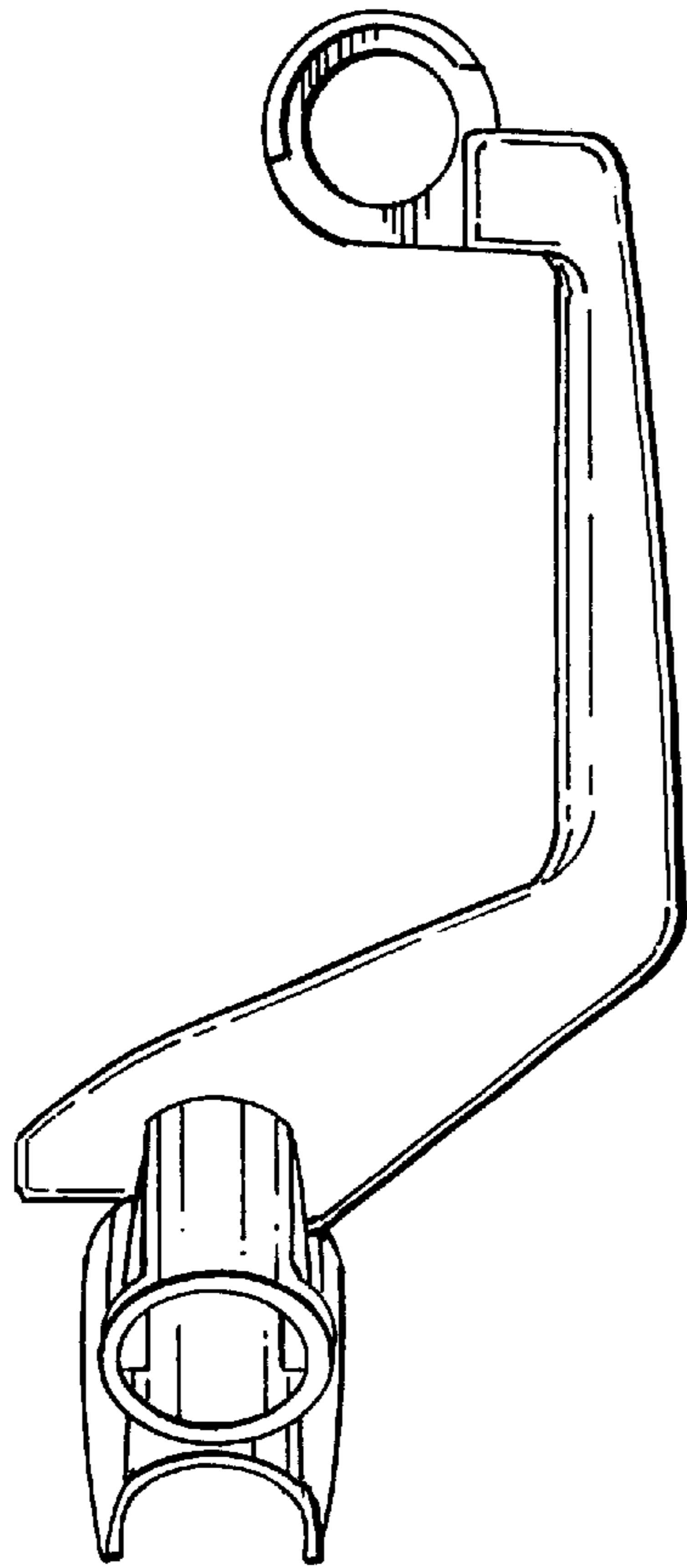




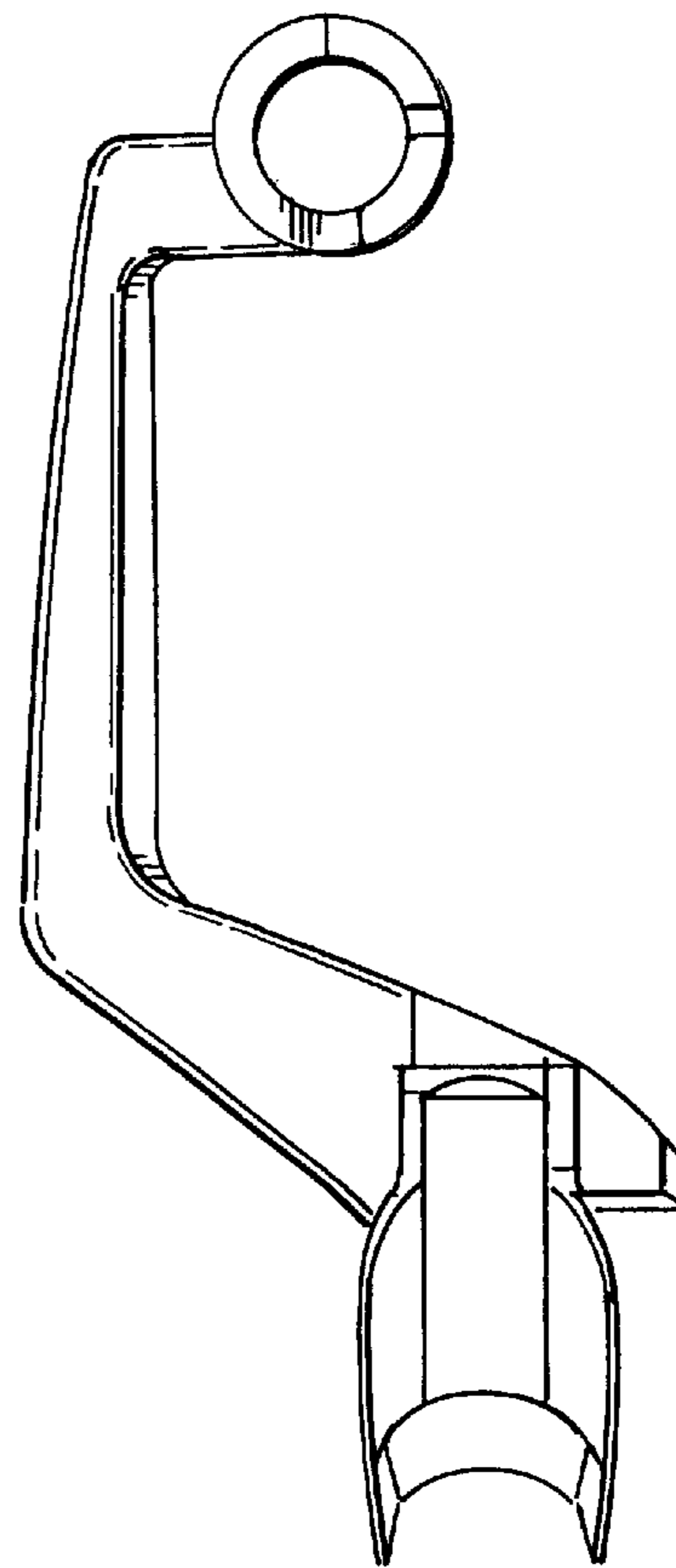
**Fig. 1**



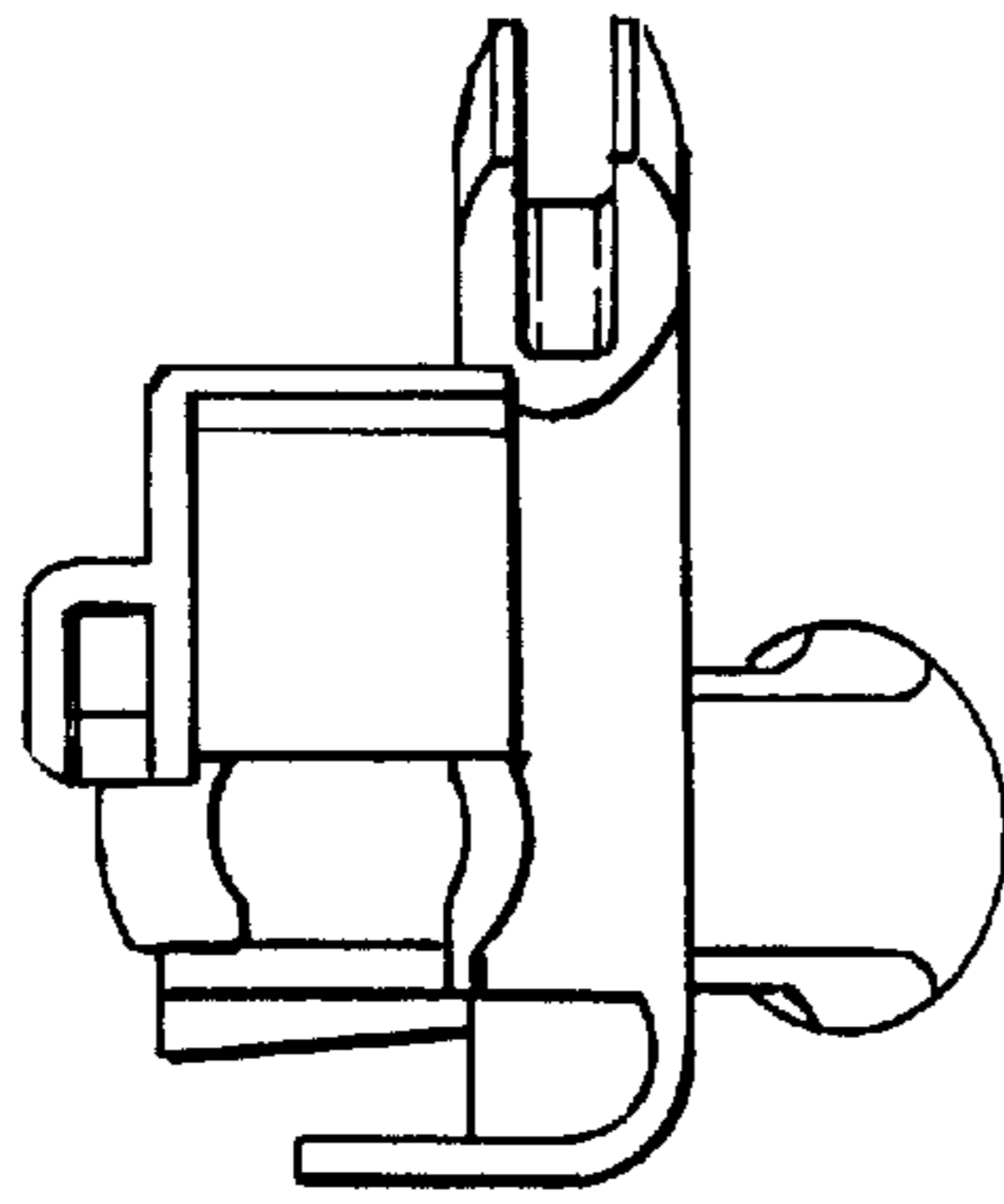
**Fig. 2**



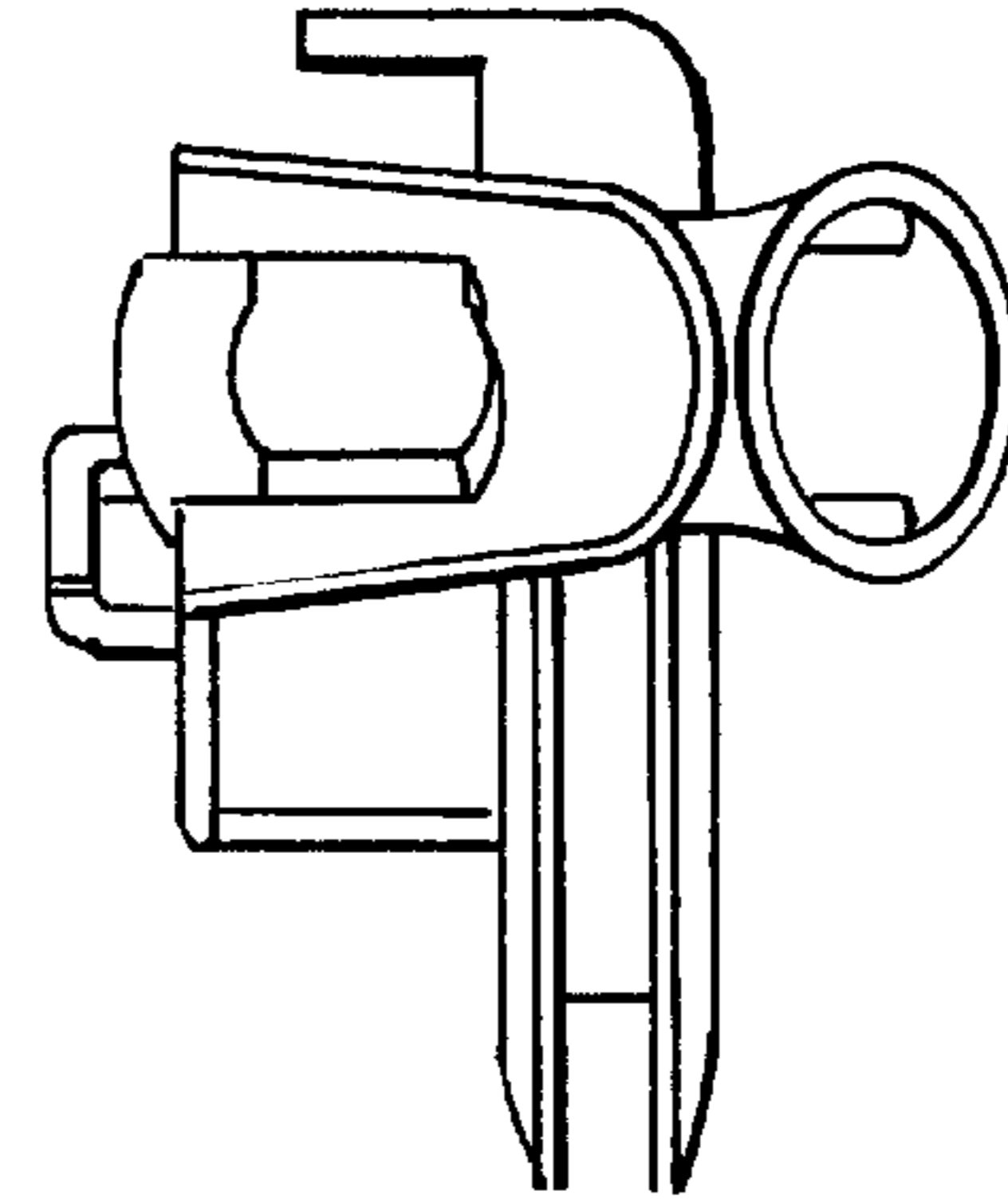
**Fig. 3**



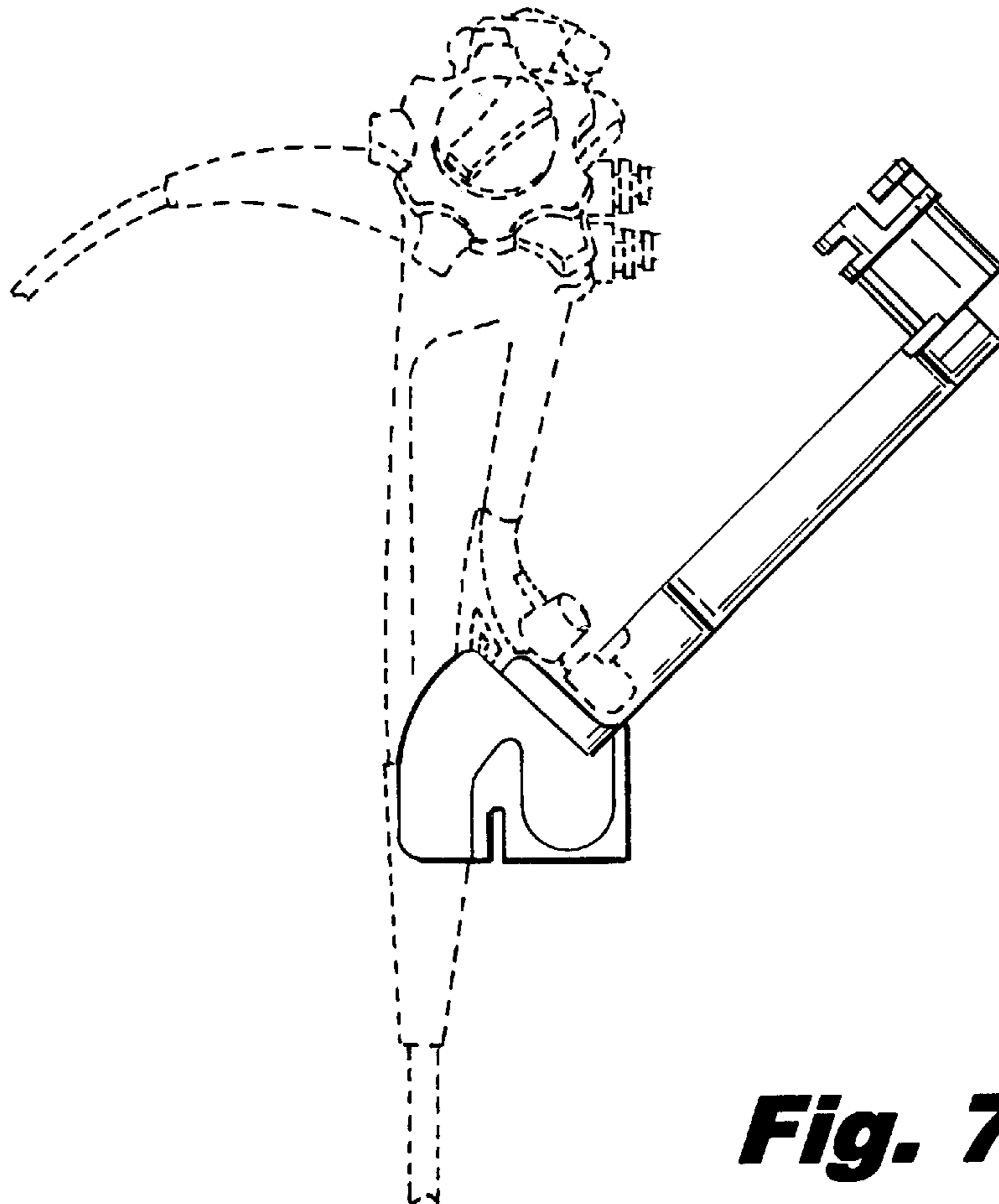
**Fig. 4**



**Fig. 5**



**Fig. 6**



**Fig. 7**