



US00D537524S

(12) **United States Design Patent**  
**Takahashi**

(10) **Patent No.:** **US D537,524 S**  
(45) **Date of Patent:** **\*\* Feb. 27, 2007**

(54) **URINE SAMPLE COLLECTOR WITH HANDLE FOR WOMEN**

JP S61-73064 A 4/1986  
JP 703918 S 5/1987  
JP 3011927 U 3/1995  
JP H11-312829 4/2001

(76) Inventor: **Mari Takahashi**, 14-12 Keirin-cho,  
Noshiro, Akita 016-0892 (JP)

**OTHER PUBLICATIONS**

(\*\*) Term: **14 Years**

[http://www.kenko.com/product/item/itm\\_8021506072.html](http://www.kenko.com/product/item/itm_8021506072.html), PIP-Fujimoto Co.,Ltd. "Transparent Urine Vessels For Women", Japan.  
<http://www.haisetsu.co.jp/goods/goods.php?id=186>, Aronkasei Co., Ltd. "Urine Vessels For Women", Japan.

(21) Appl. No.: **29/228,528**

(22) Filed: **Apr. 26, 2005**

\* cited by examiner

**Related U.S. Application Data**

(63) Continuation of application No. 10/973,962, filed on Oct. 25, 2004.

*Primary Examiner*—Ian Simmons

*Assistant Examiner*—Daniel Yu

(51) **LOC (8) Cl.** ..... **24-04**

(74) *Attorney, Agent, or Firm*—Omori & Yaguchi USA, LLC; Konomi Takeshita

(52) **U.S. Cl.** ..... **D24/122**

(58) **Field of Classification Search** ..... D24/122,  
D24/216, 224, 121; 604/317, 319, 327, 329,  
604/331, 349; 4/144.1, 144.2, 144.3; 600/573,  
600/574, 580

(57) **CLAIM**

See application file for complete search history.

The ornamental design for a urine sample collector with a handle for women, as shown and described.

**DESCRIPTION**

(56) **References Cited**

FIG. 1 is a front/right/top perspective view of a urine sample collector with a handle for women, showing my new design; FIG. 2 is a right side elevational view, the left side elevational view being a mirror image thereof; FIG. 3 is top plan view thereof; FIG. 4 is a front elevational view thereof; FIG. 5 is a rear elevational view thereof; FIG. 6 is a bottom plan view thereof; FIG. 7 is a right side elevational view thereof, with the handle folded against the side wall; and, FIG. 8 is a right side elevational view thereof, the broken line showing is for illustrative purposes only and forms no part of the claimed design.

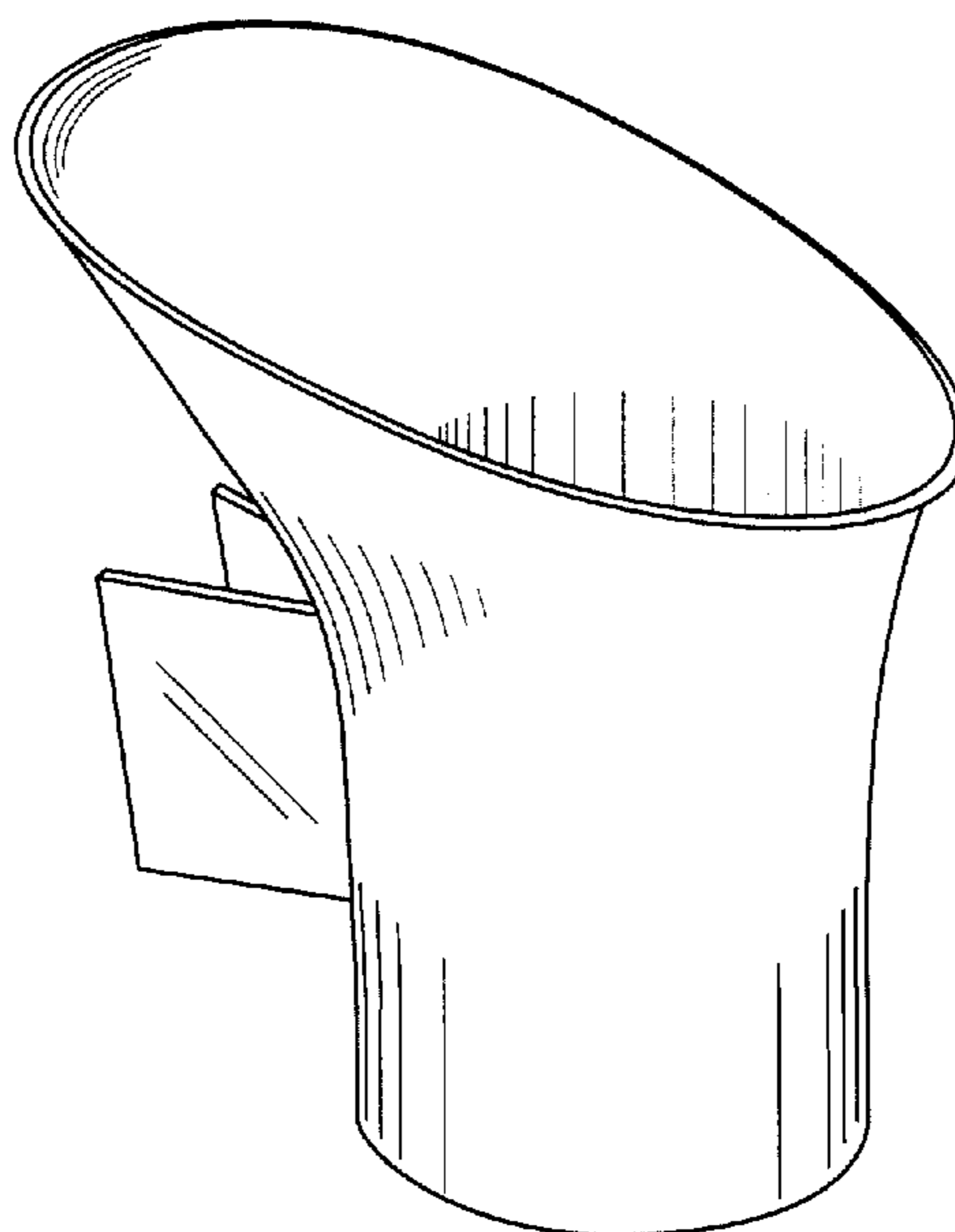
**U.S. PATENT DOCUMENTS**

4,198,979 A 4/1980 Cooney et al.  
5,125,118 A 6/1992 Green  
D376,201 S \* 12/1996 Norton ..... D24/122  
5,920,916 A \* 7/1999 Norton ..... 4/144.3  
6,098,210 A \* 8/2000 Broden ..... 4/144.1  
6,358,477 B1 3/2002 Webb et al.  
6,719,951 B1 4/2004 Griffith  
6,775,852 B1 8/2004 Alvarez et al.  
D497,425 S \* 10/2004 McQuaid ..... D24/122  
D499,180 S \* 11/2004 Best ..... D24/122

**FOREIGN PATENT DOCUMENTS**

JP S56-131445 U 10/1981

**1 Claim, 4 Drawing Sheets**



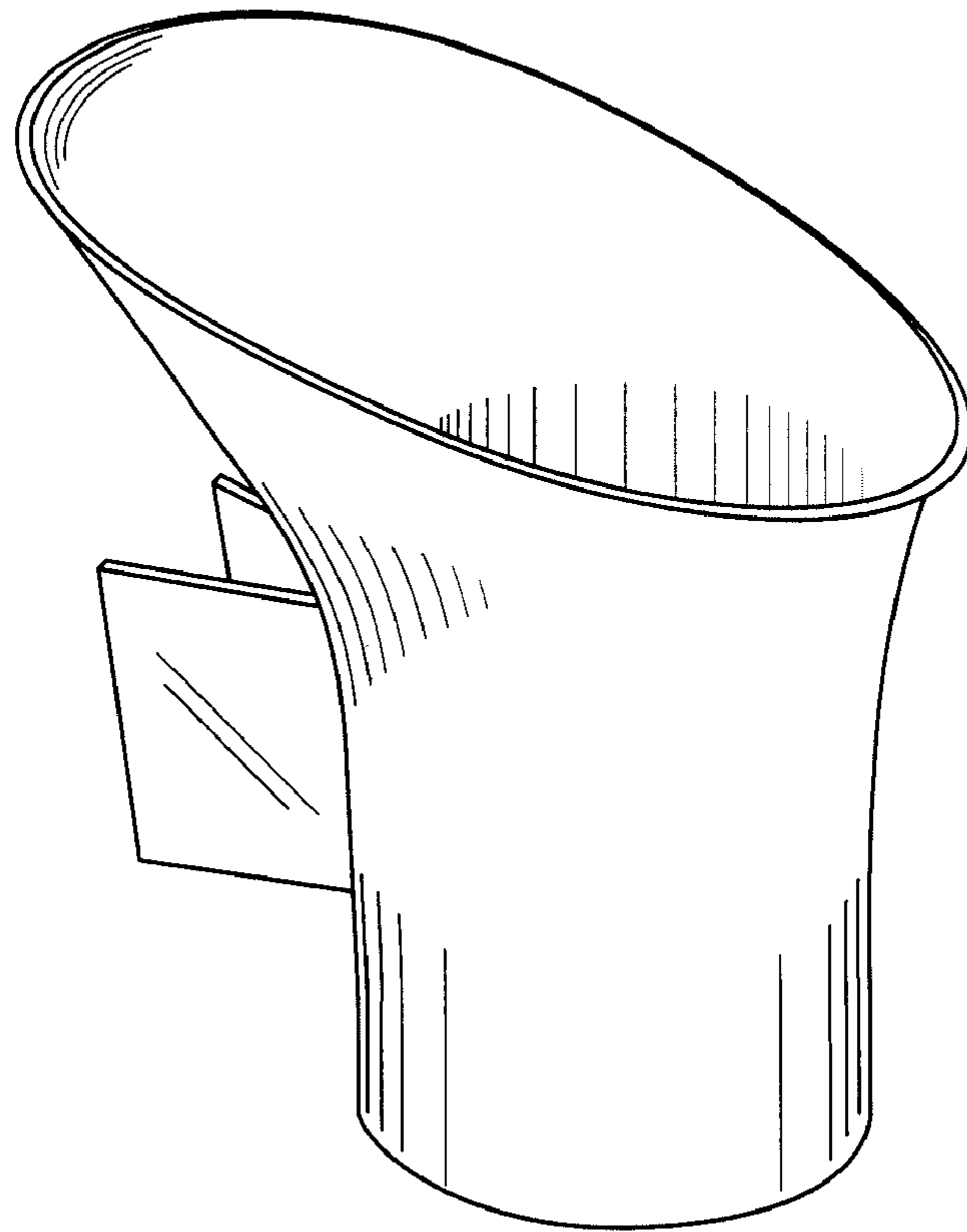


FIG. 1

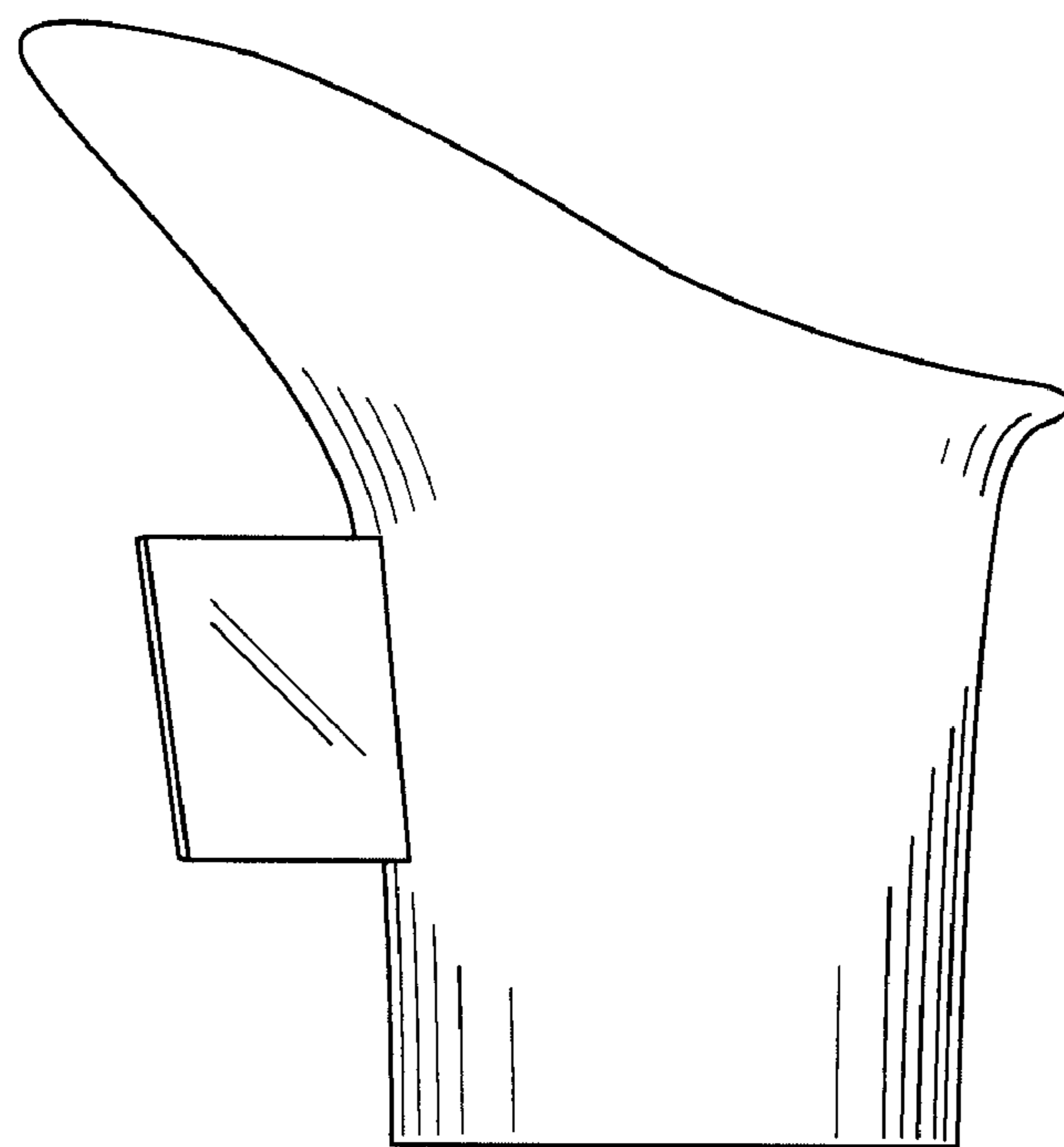


FIG. 2

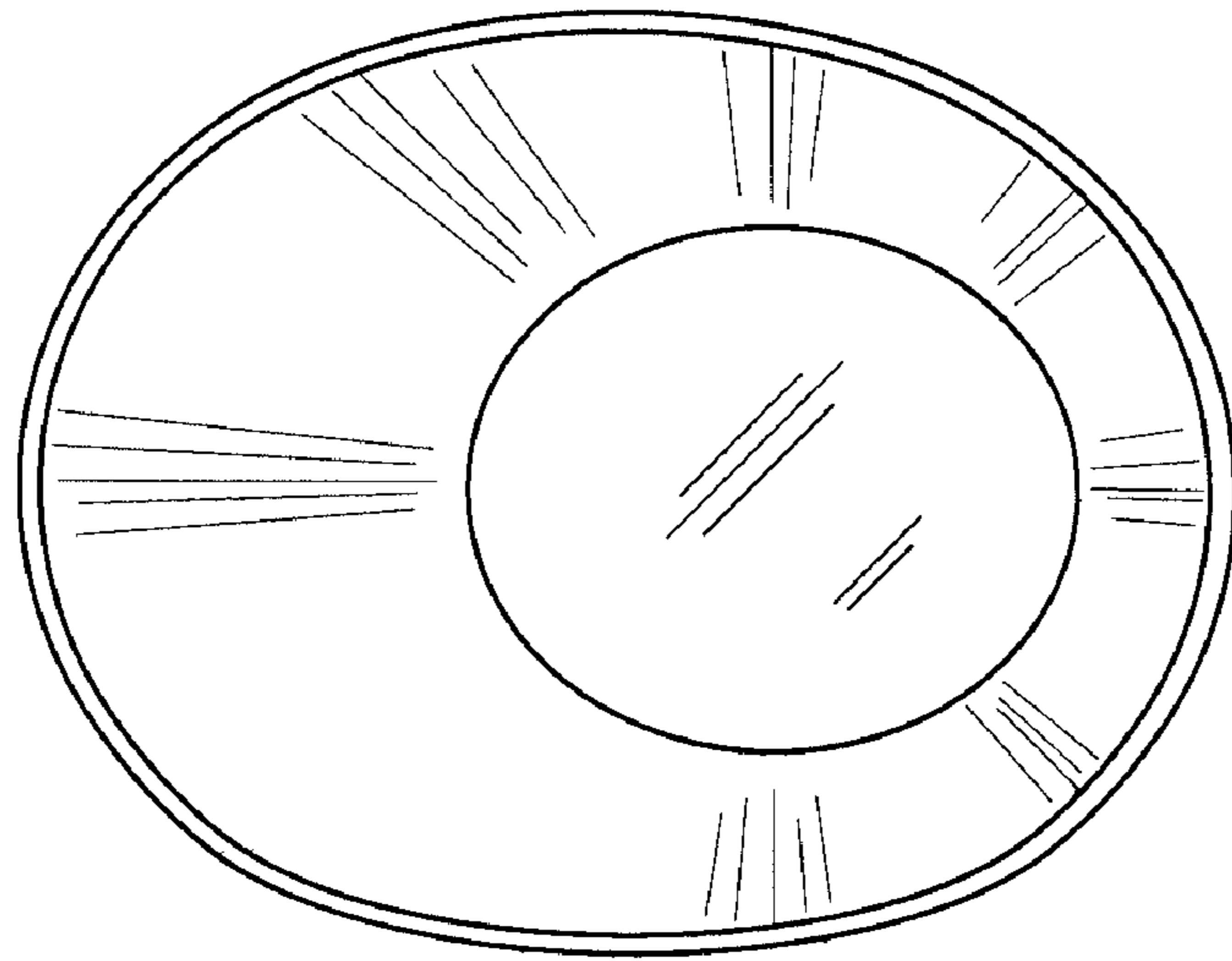


FIG. 3

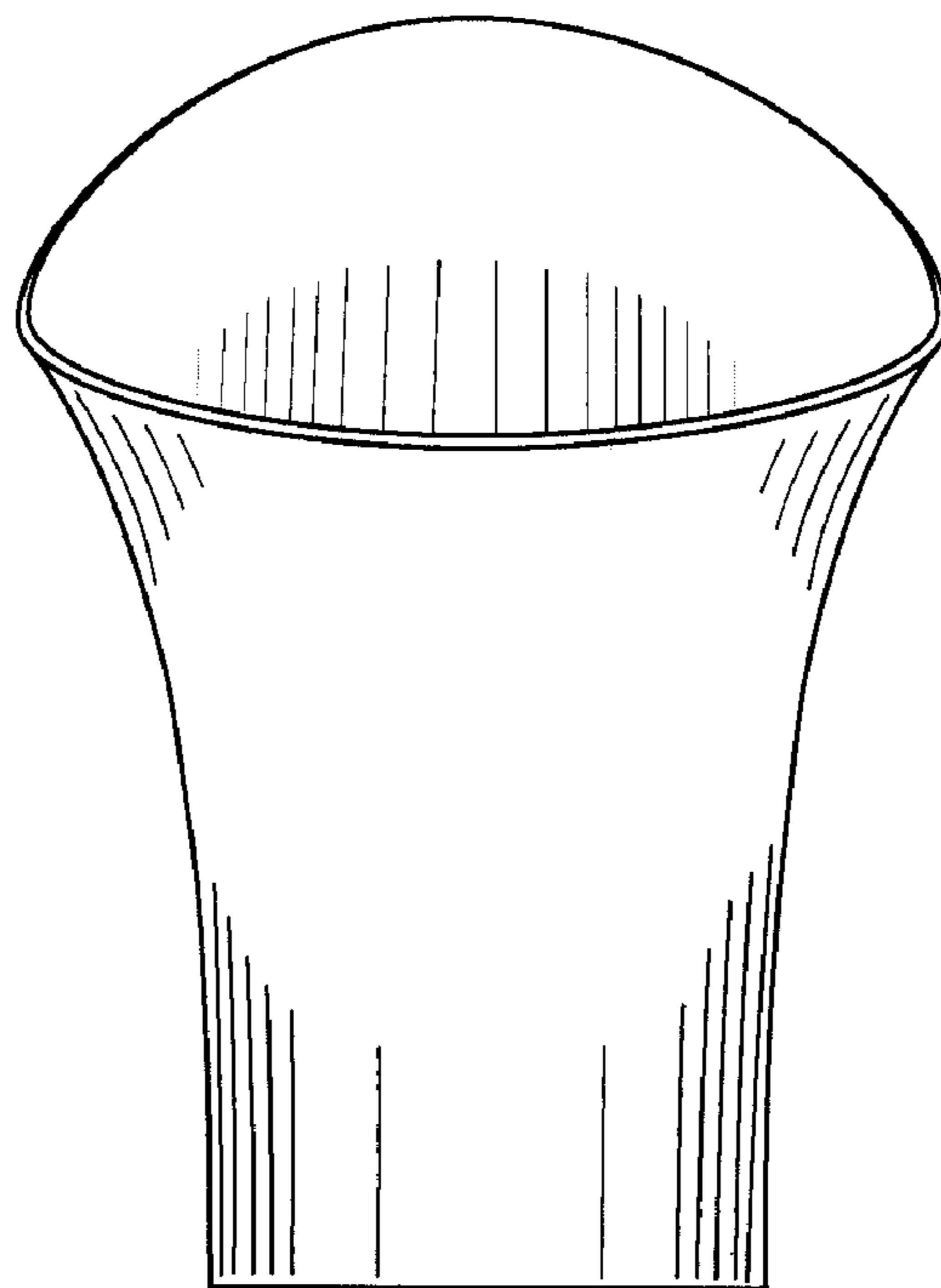


FIG. 4

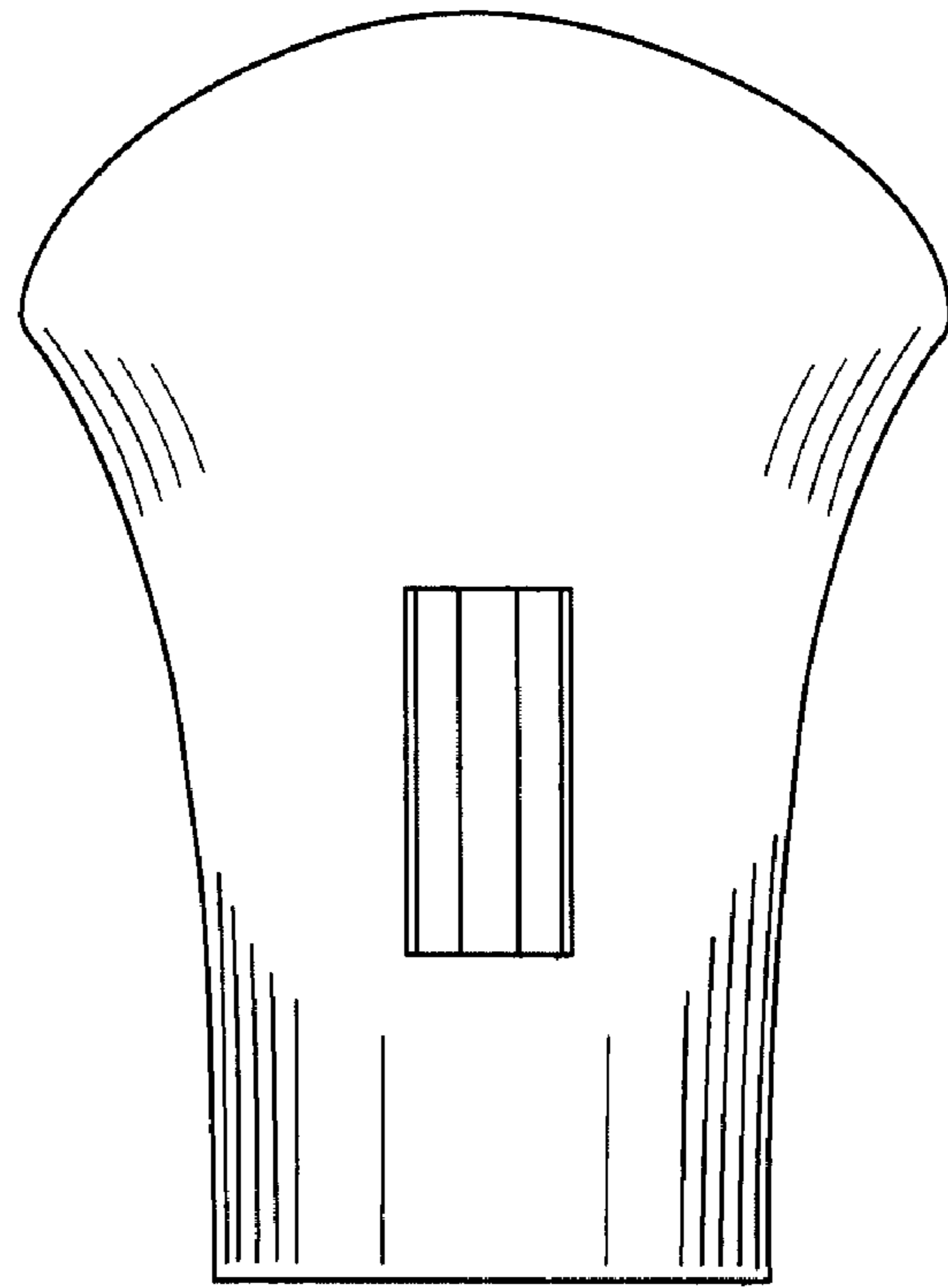


FIG. 5

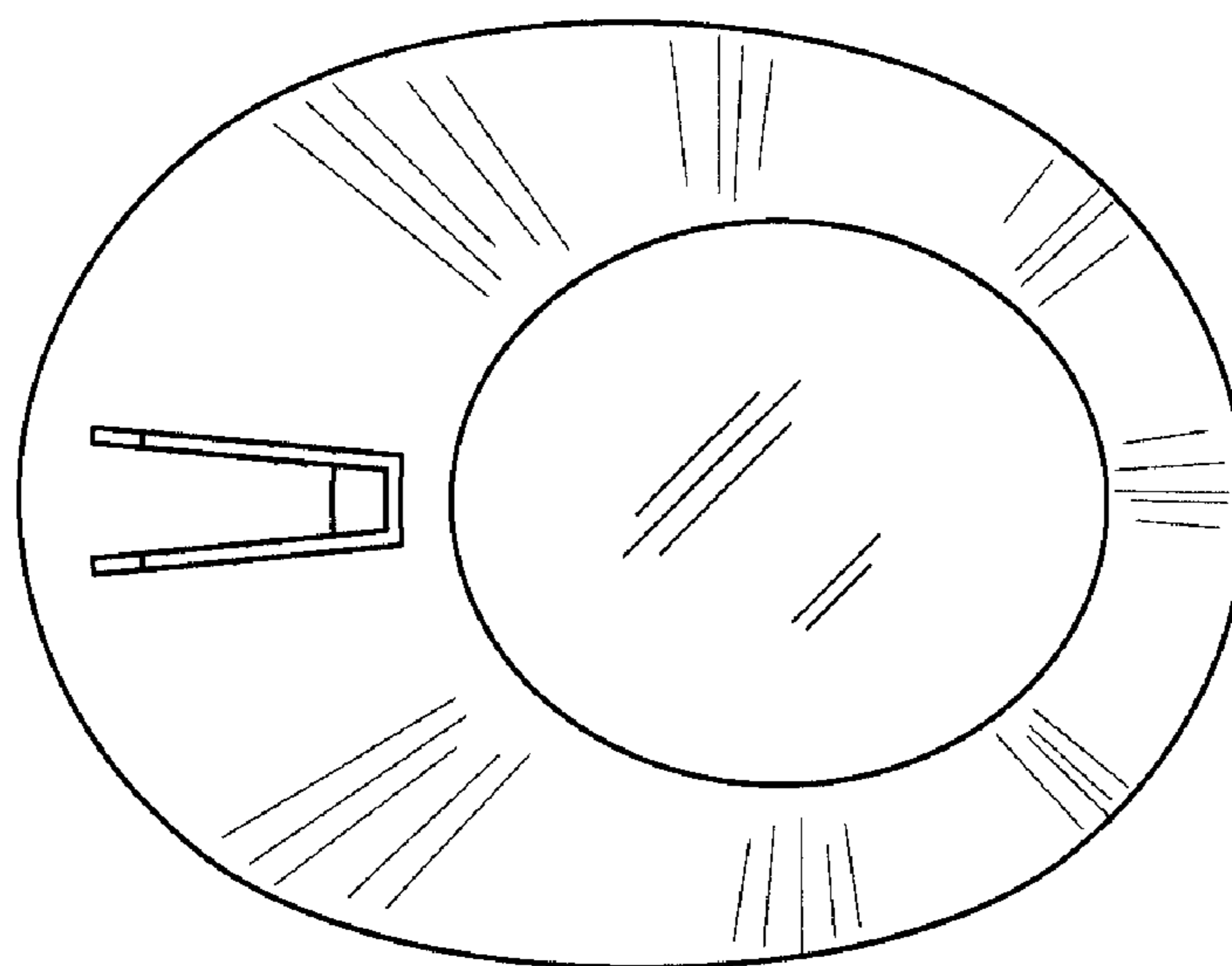


FIG. 6

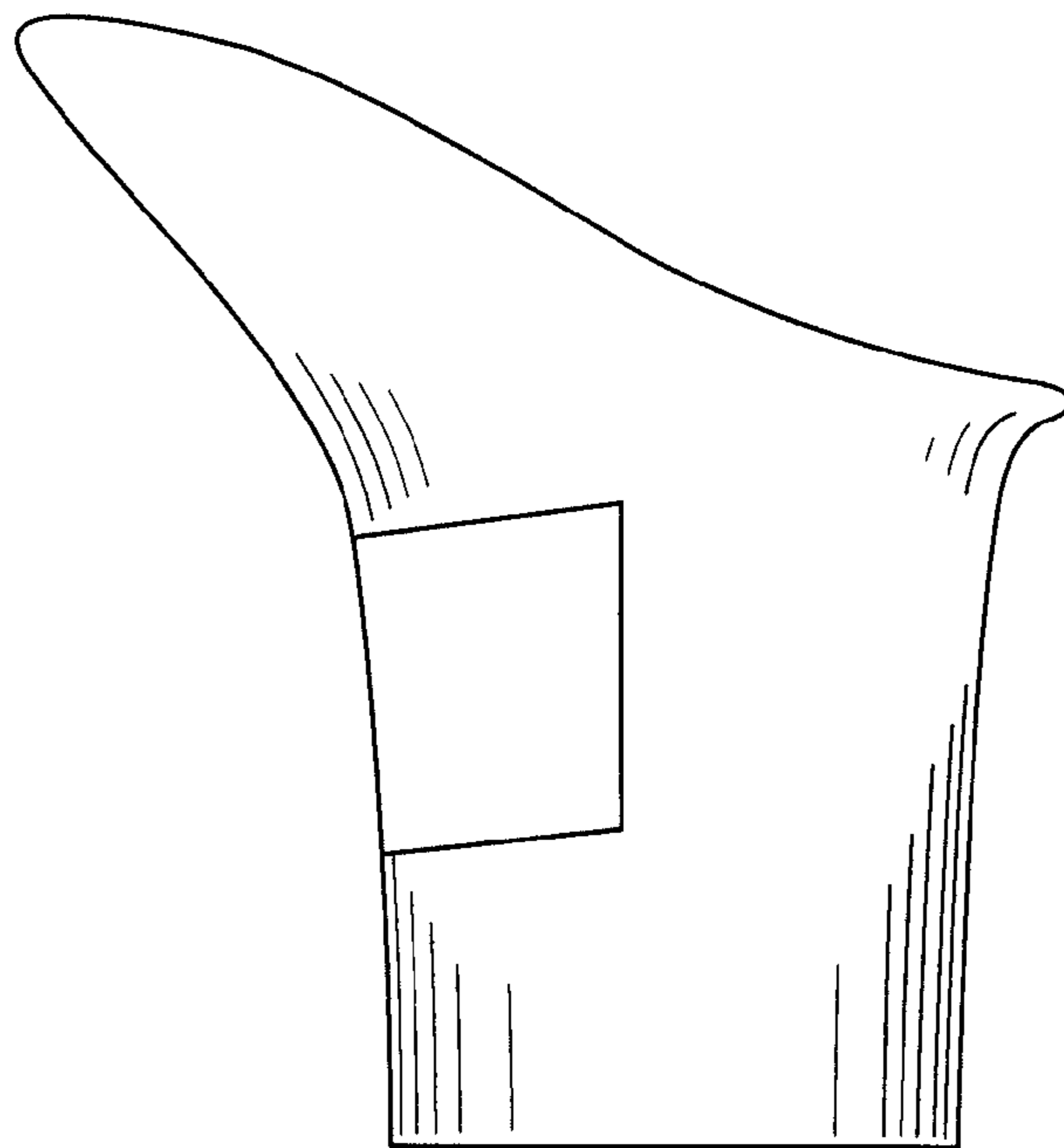


FIG. 7

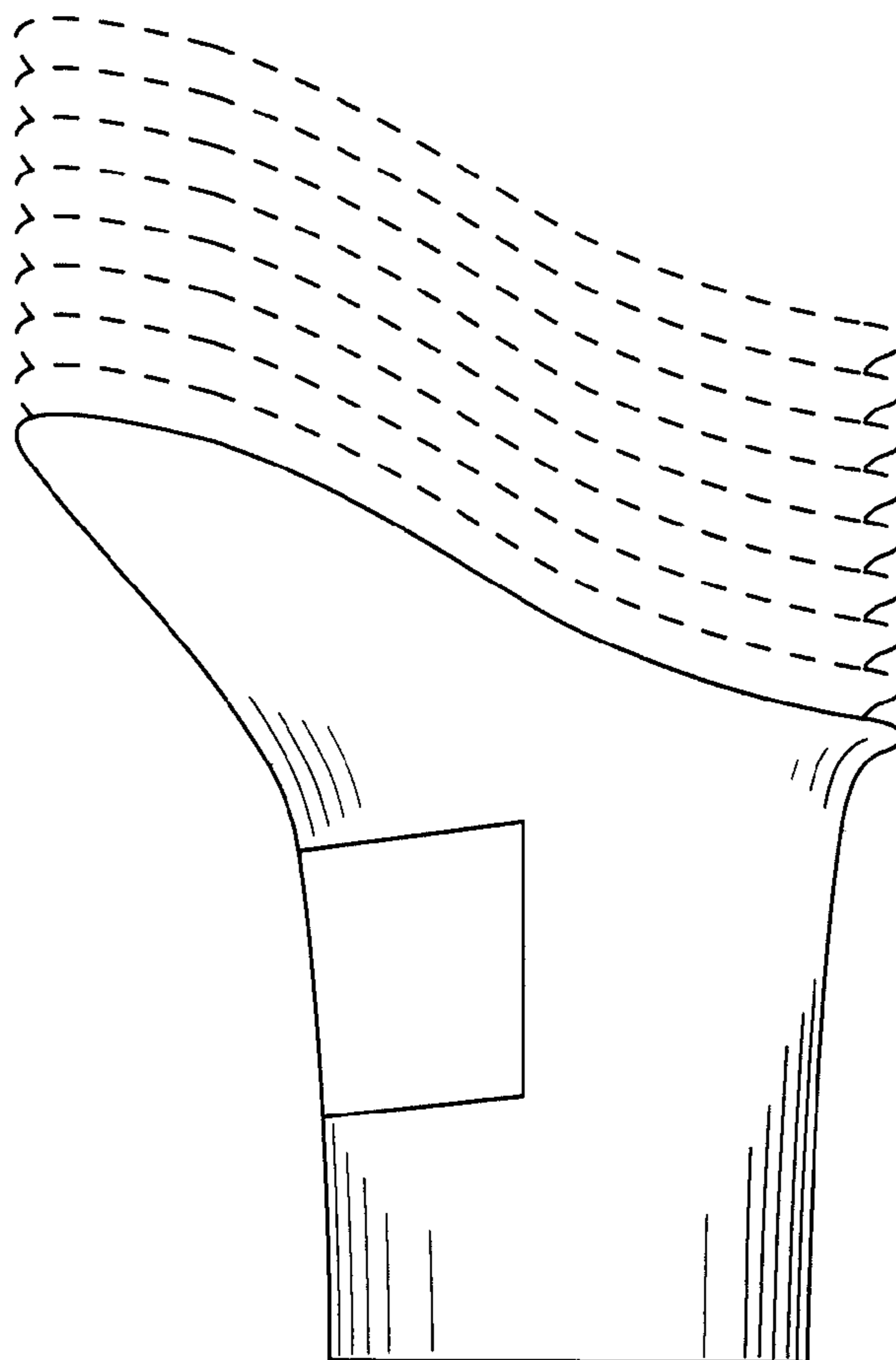


FIG. 8