



US00D537523S

(12) **United States Design Patent**
Dantanarayana et al.

(10) **Patent No.:** **US D537,523 S**

(45) **Date of Patent:** **** Feb. 27, 2007**

(54) **MASK SHELL**

D498,530 S * 11/2004 Smart D24/110.4

(75) Inventors: **Muditha Pradeep Dantanarayana**,
Cherrybrook (AU); **Anthony Michael**
Ging, Vancouver (CA); **Gregory Scott**
Smart, Randwick (AU); **John M.**
Snow, Mosman (AU); **David John**
Worboys, Belrose (AU)

* cited by examiner

Primary Examiner—Antoine D. Davis
Assistant Examiner—Christopher Lee
(74) *Attorney, Agent, or Firm*—Nixon & Vanderhye P.C.

(73) Assignee: **ResMed Limited**, North Ryde (AU)

The ornamental design for a mask shell, as shown and described.

(**) Term: **14 Years**

(57) **CLAIM**

(21) Appl. No.: **29/220,931**

(22) Filed: **May 17, 2004**

(51) **LOC (8) Cl.** **29-02**

(52) **U.S. Cl.** **D24/110.4**; D24/110.1;
D24/110.5

(58) **Field of Classification Search** D24/110.1,
D24/110.4, 110.5; 128/205.25, 206.26, 206.27,
128/207.11, 207.13

See application file for complete search history.

DESCRIPTION

FIG. 1 is a perspective view of a mask shell of our design;
FIG. 2 is a front view thereof;
FIG. 3 is a rear view thereof;
FIG. 4 is a top view thereof;
FIG. 5 is a bottom view thereof;
FIG. 6 is a left side view thereof; and,
FIG. 7 is a right side view.

Throughout the various figures of the drawings, certain views are not provided. The omission of a particular view is intended to convey that the element(s) depicted is/are plain and unornamented in that omitted view, or that the particular ornamental appearance in that view is simply not claimed. Where included, broken lines showing environment or structure are for illustrative purposes only and form no part of the claimed design. Where included, dotted lines represent the border between claimed and non-claimed subject matter and form no part of the claimed design.

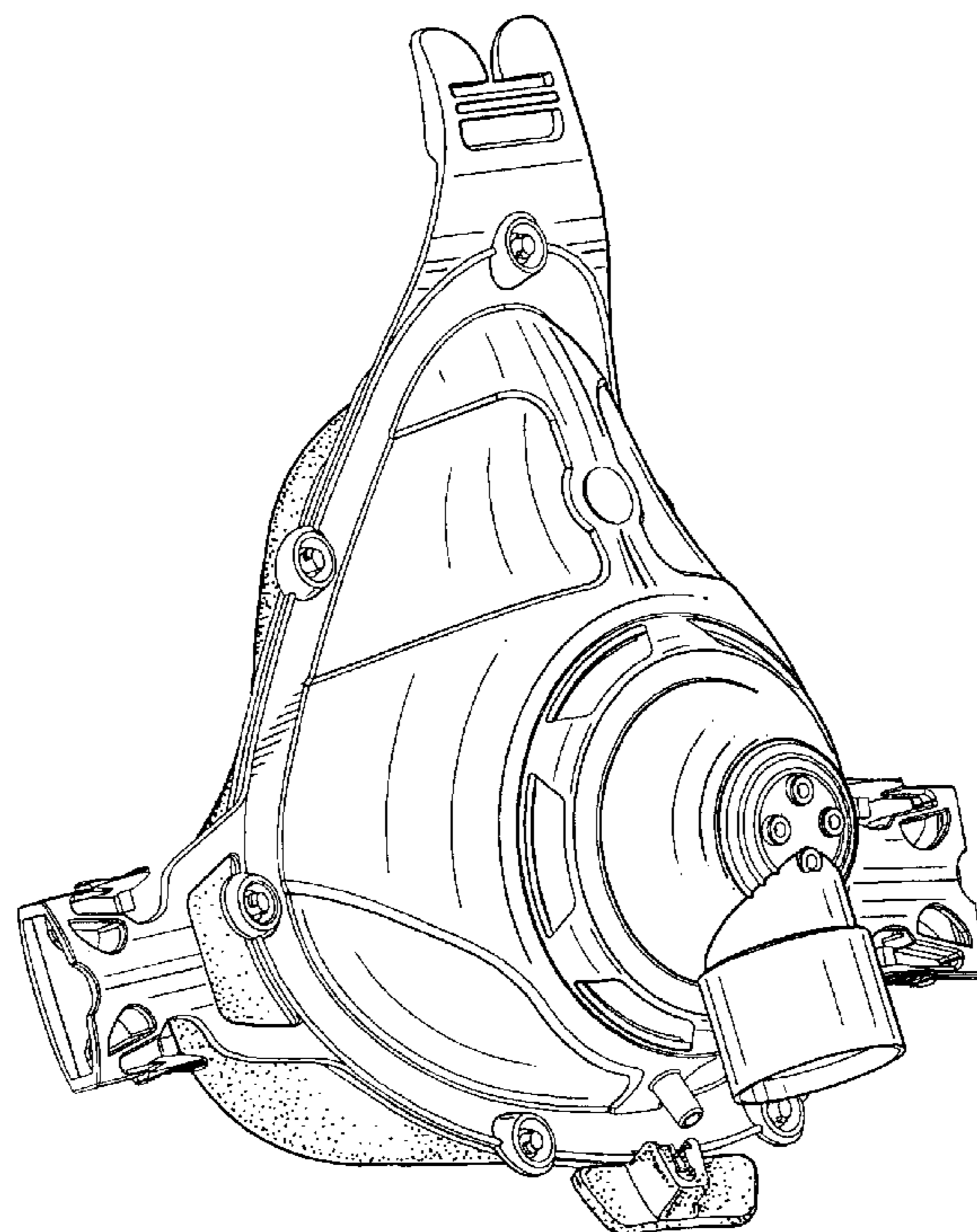
Where included, the use of stippling is intended to denote shading.

(56) **References Cited**

U.S. PATENT DOCUMENTS

D428,139 S	7/2000	Smart	
D428,988 S	8/2000	Smart	
6,374,826 B1 *	4/2002	Gunaratnam et al. ..	128/206.27
D459,800 S	7/2002	Smart	
D464,728 S	10/2002	Paul	
6,513,526 B2	2/2003	Kwok	
D486,907 S *	2/2004	Guney et al.	D24/110.1
D495,797 S *	9/2004	Guney et al.	D24/110.1

1 Claim, 5 Drawing Sheets



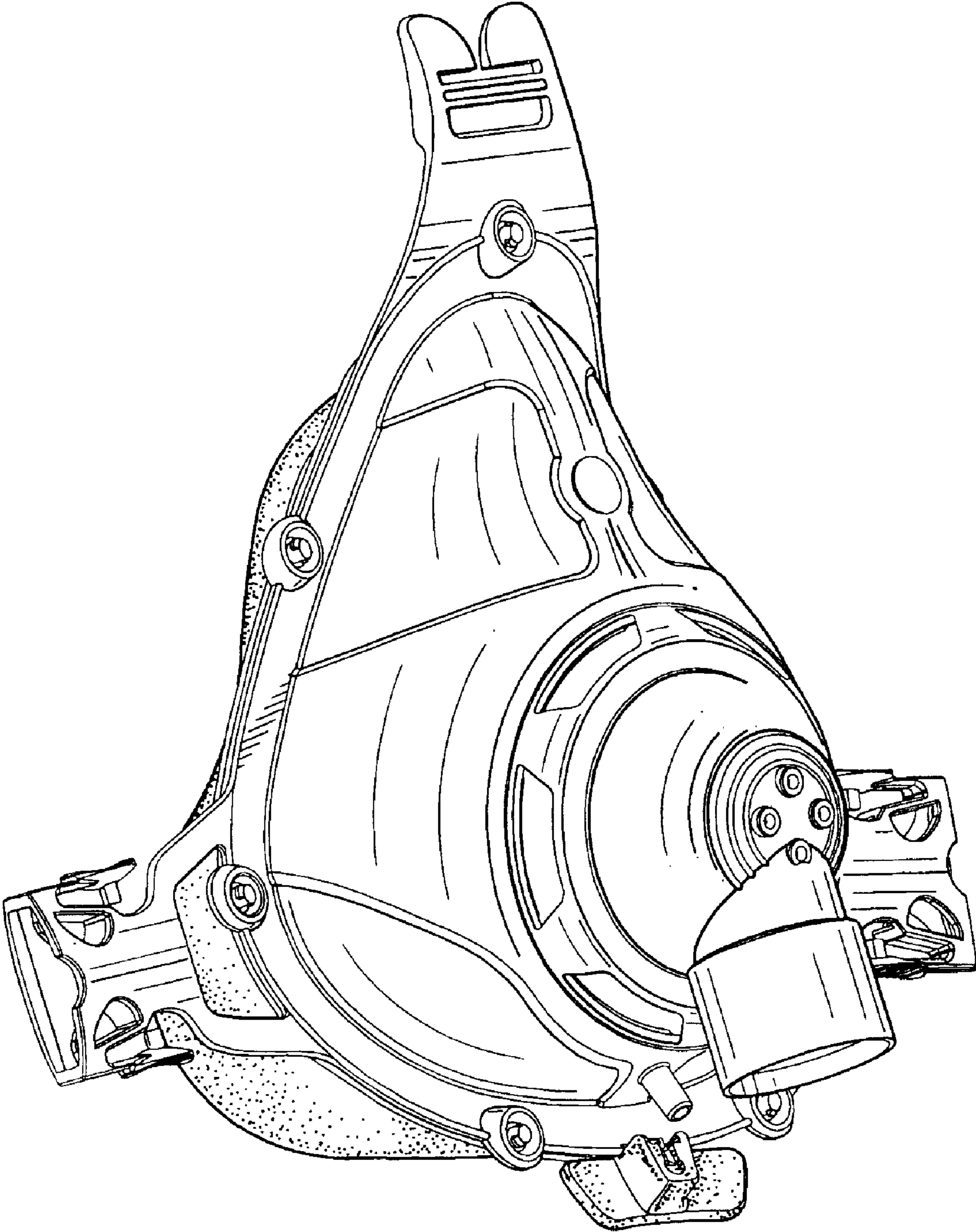


Fig. 1

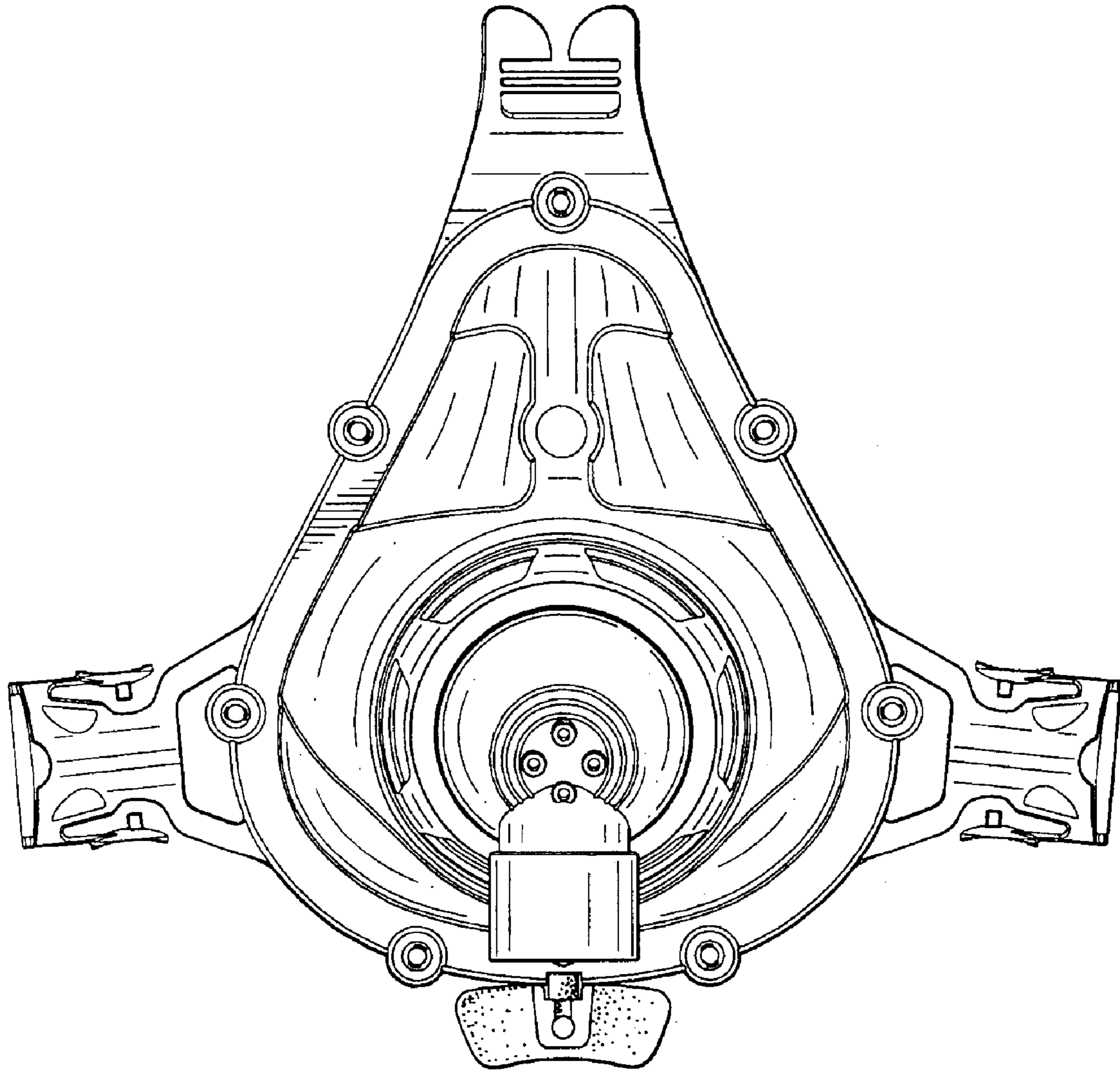


Fig. 2

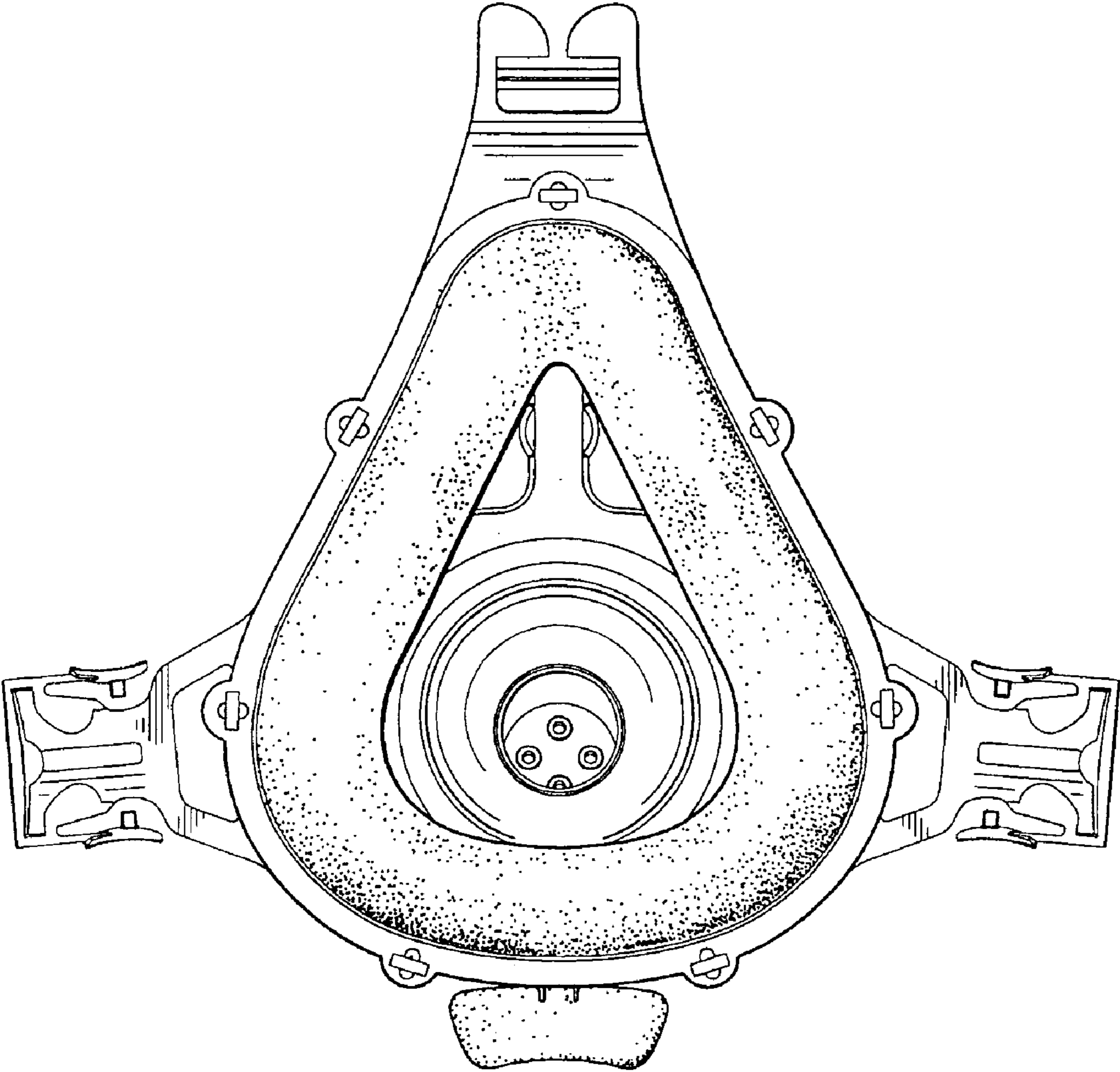


Fig. 3

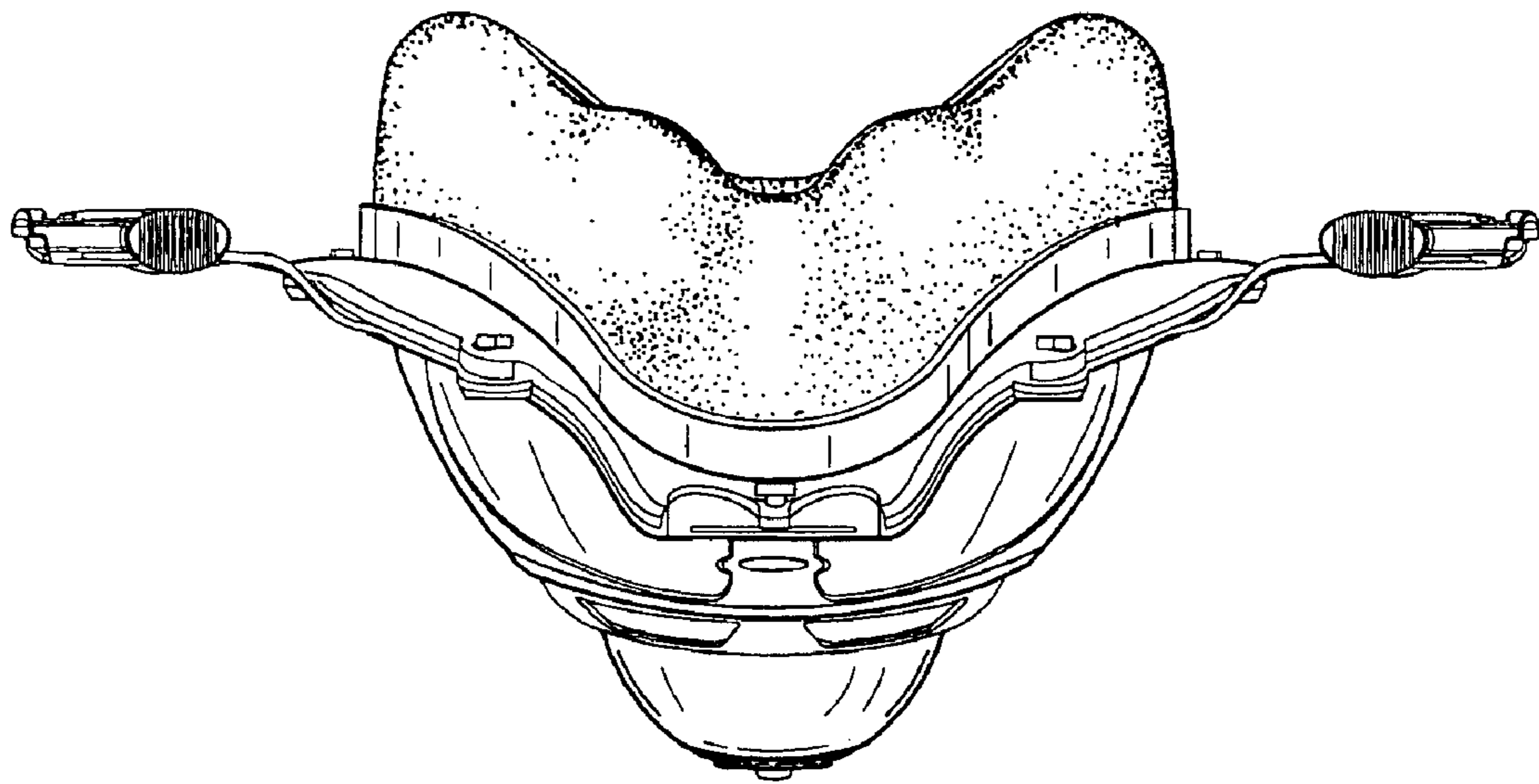


Fig. 4

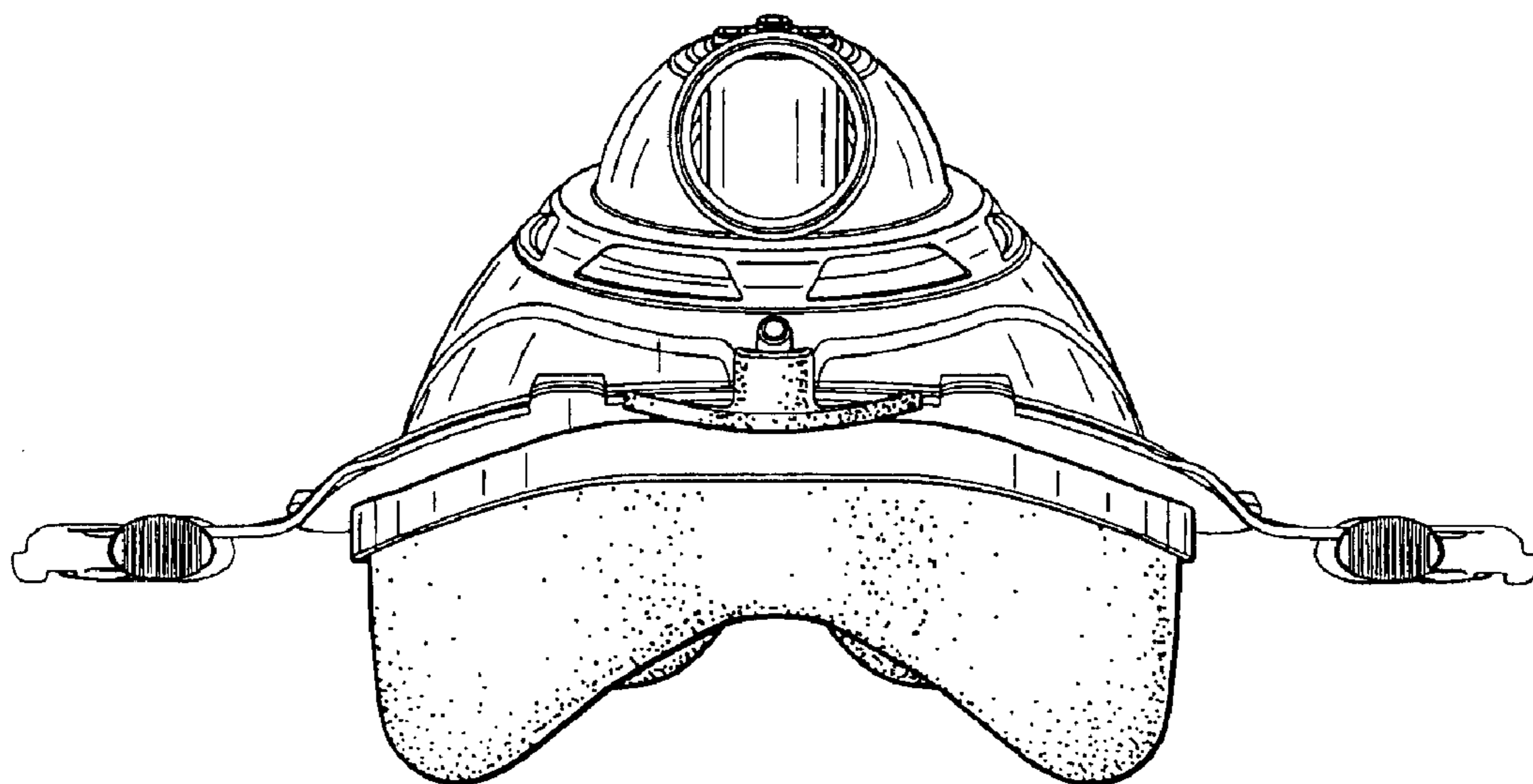


Fig. 5

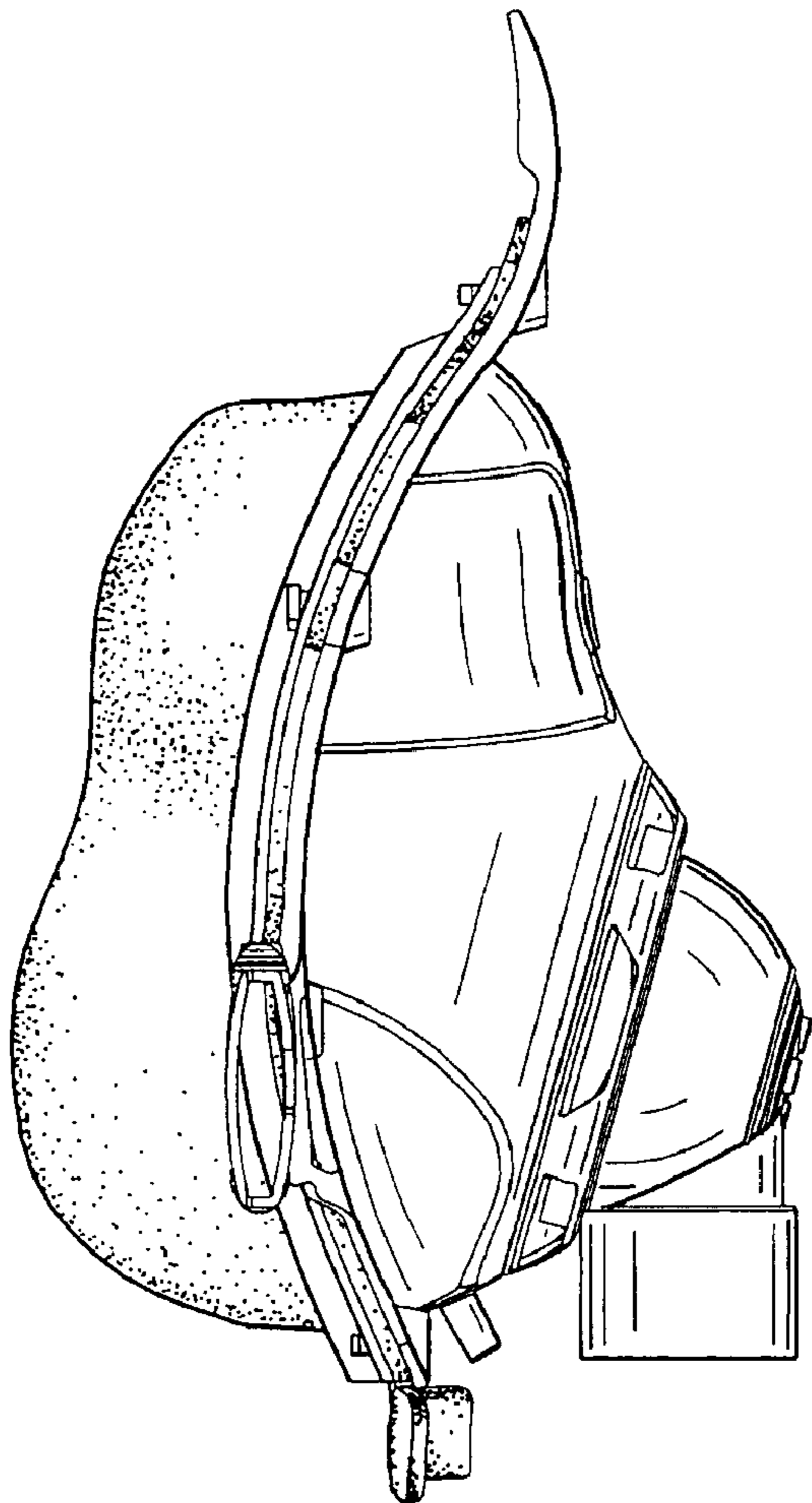


Fig. 6

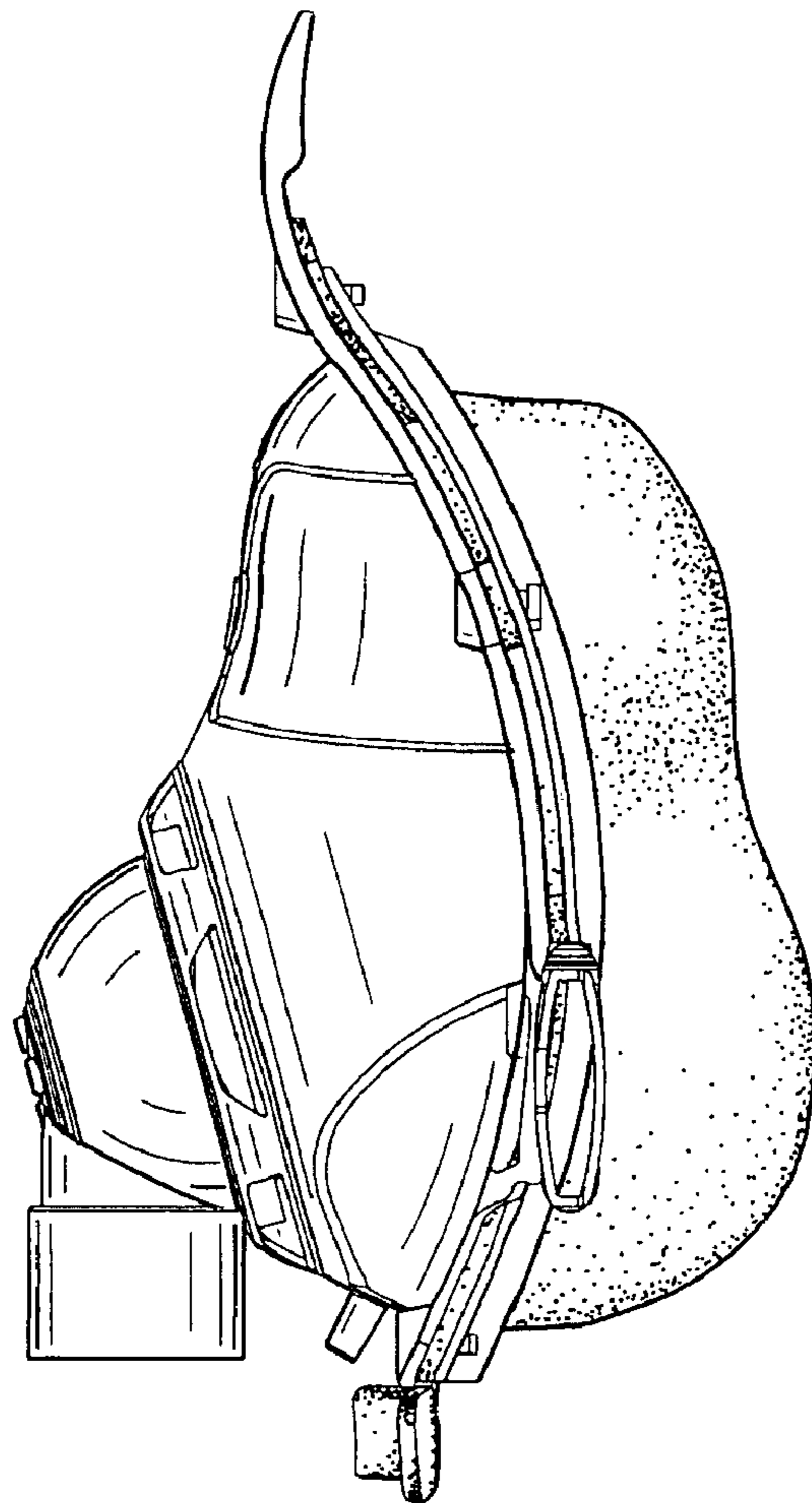


Fig. 7

UNITED STATES PATENT AND TRADEMARK OFFICE
CERTIFICATE OF CORRECTION

PATENT NO. : Des. 537,523 S
APPLICATION NO. : 29/220931
DATED : February 27, 2007
INVENTOR(S) : Muditha P. Dantanarayana et al.

Page 1 of 7

It is certified that error appears in the above-identified patent and that said Letters Patent is hereby corrected as shown below:

The title page, showing the illustrated figure 2 should be deleted to appear as per attached title page.

The sheets of drawings consisting of figures 1-7 should be deleted to appear as per attached figures 1-7.

Signed and Sealed this

Fifth Day of January, 2010

A handwritten signature in black ink that reads "David J. Kappos". The signature is written in a cursive, flowing style.

David J. Kappos
Director of the United States Patent and Trademark Office

(12) **United States Design Patent**
Dantanarayana et al.

(10) **Patent No.:** **US D537,523 S**

(45) **Date of Patent:** **** Feb. 27, 2007**

(54) **MASK SHELL**

D498,530 S * 11/2004 Smart D24/110.4

(75) Inventors: **Muditha Pradeep Dantanarayana**,
 Cherrybrook (AU); **Anthony Michael
 Ging**, Vancouver (CA); **Gregory Scott
 Smart**, Randwick (AU); **John M.
 Snow**, Mosman (AU); **David John
 Worboys**, Belrose (AU)

* cited by examiner

Primary Examiner- Antoine D. Davis
Assistant Examiner - Christopher Lee
 (74) *Attorney, Agent, or Firm*-Nixon & Vanderhye P.C.

(73) Assignee: **ResMed Limited**, North Ryde (AU)

(57) **CLAIM**

The ornamental design for a mask shell, as shown and described.

(**) Term: **14 Years**

DESCRIPTION

(21) Appl. No.: **29/220,931**

FIG. 1 is a perspective view of a mask shell of our design;
 FIG. 2 is a front view thereof;
 FIG. 3 is a rear view thereof;
 FIG. 4 is a top view thereof;
 FIG. 5 is a bottom view thereof;
 FIG. 6 is a left side view thereof; and,
 FIG. 7 is a right side view.

(22) Filed: **May 17, 2004**

(51) **LOC (8) Cl.** **29-02**

(52) **U.S. Cl.** **D24/110.4; D24/110.1;
 D24/110.5**

(58) **Field of Classification Search** **D24/110.1,
 D24/110.4, 110.5; 128/205.25, 206.26, 206.27,
 128/207.11, 207.13**

See application file for complete search history.

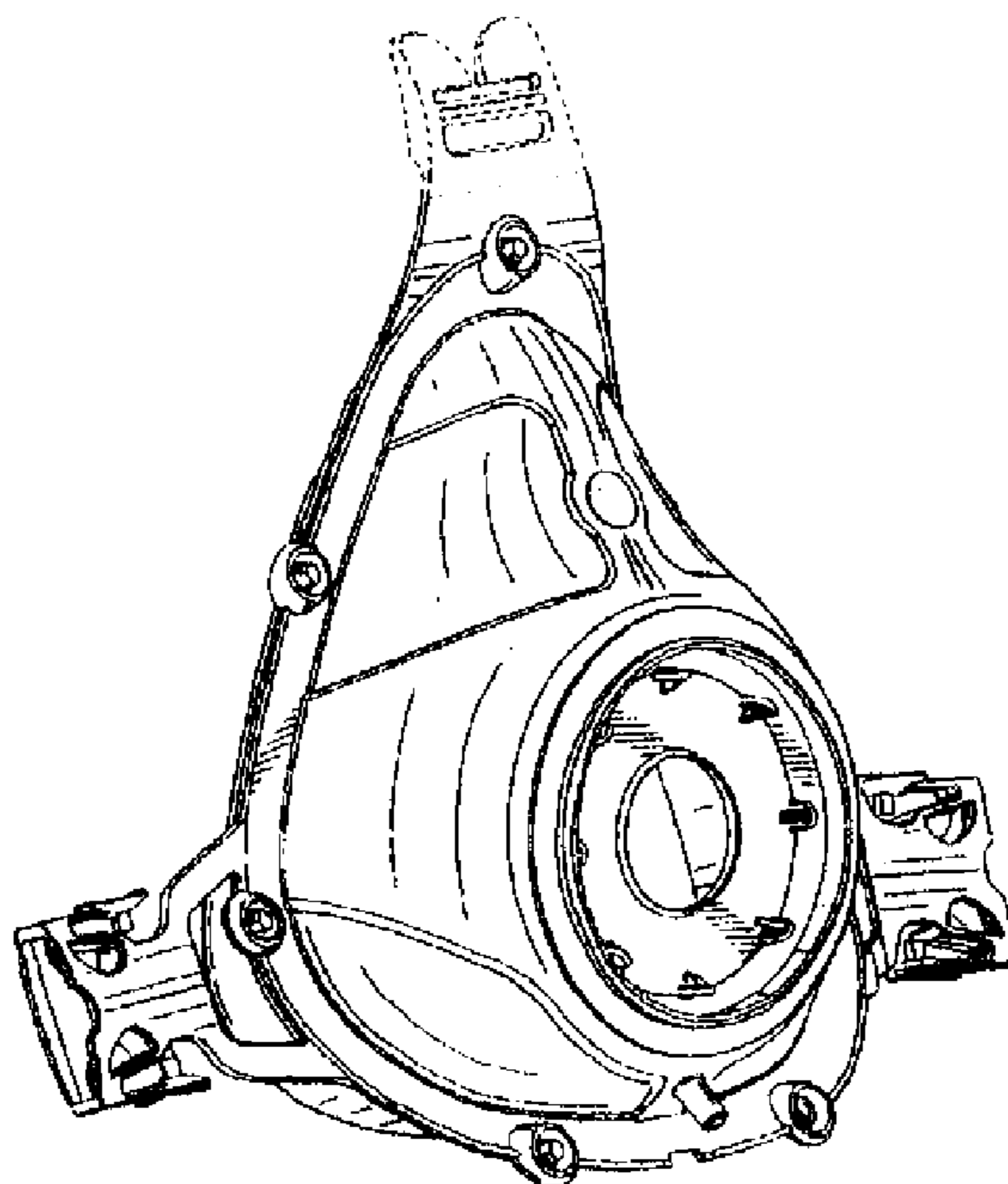
Throughout the various figures of the drawings, certain views are not provided. The omission of a particular view is intended to convey that the element(s) depicted is/are plain and unornamented in that omitted view, or that the particular ornamental appearance in that view is simply not claimed. Where included, broken lines showing environment or structure are for illustrative purposes only and form no part of the claimed design. Where included, dotted lines represent the border between claimed and non-claimed subject matter and form no part of the claimed design. Where included, the use of stippling is intended to denote shading.

(56) **References Cited**

U.S. PATENT DOCUMENTS

D428,139 S	7/2000	Smart	
D428,988 S	8/2000	Smart	
6,374,826 B1 *	4/2002	Gunaratnam et al.	128/206.27
D459,800 S	7/2002	Smart	
D464,728 S	10/2002	Paul	
6,513,526 B2	2/2003	Kwok	
D486,907 S *	2/2004	Guney et al.	D24/110.1
D495,797 S *	9/2004	Guney et al.	D24/110.1

1 Claim, 5 Drawing Sheets



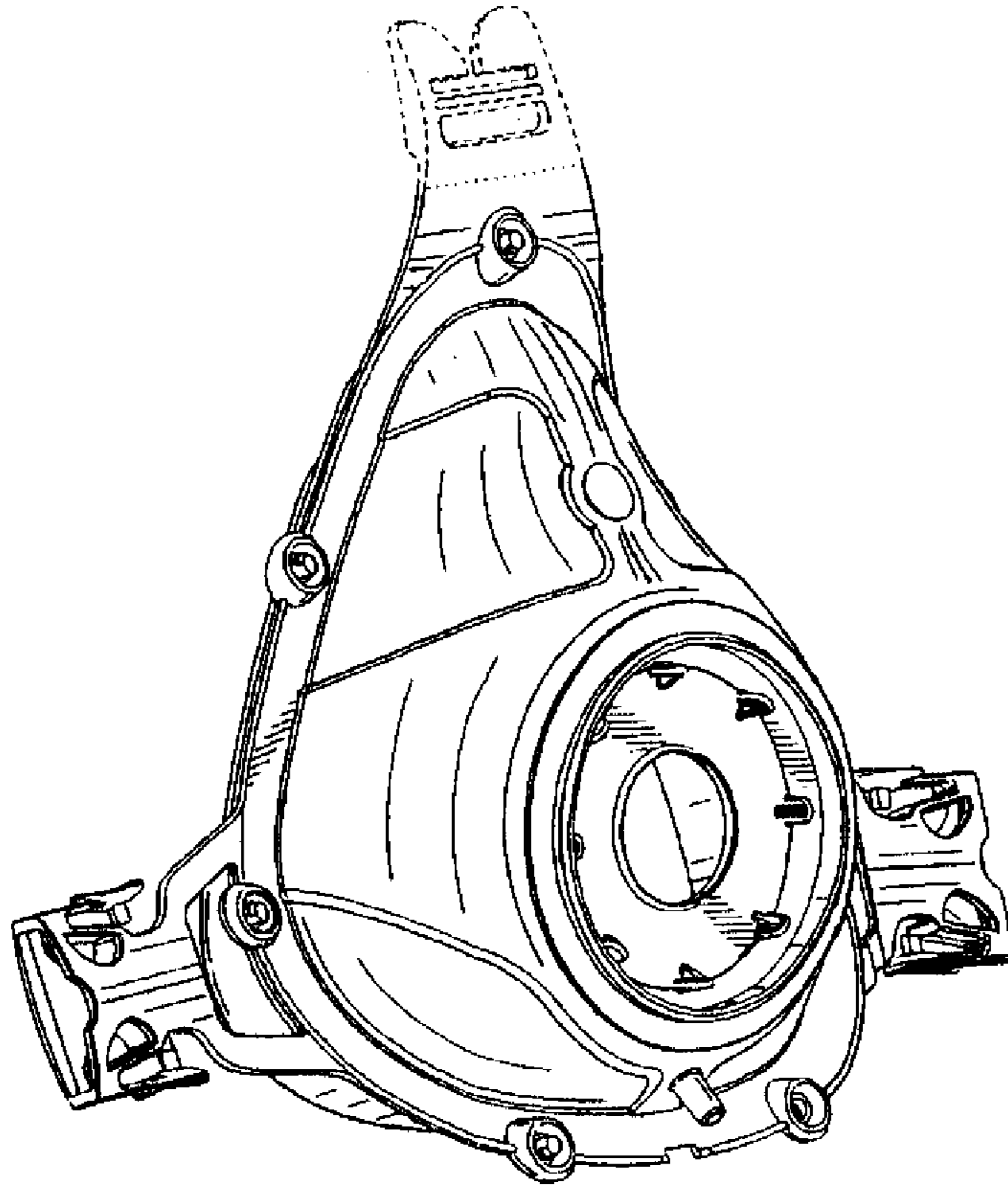


Fig. 1

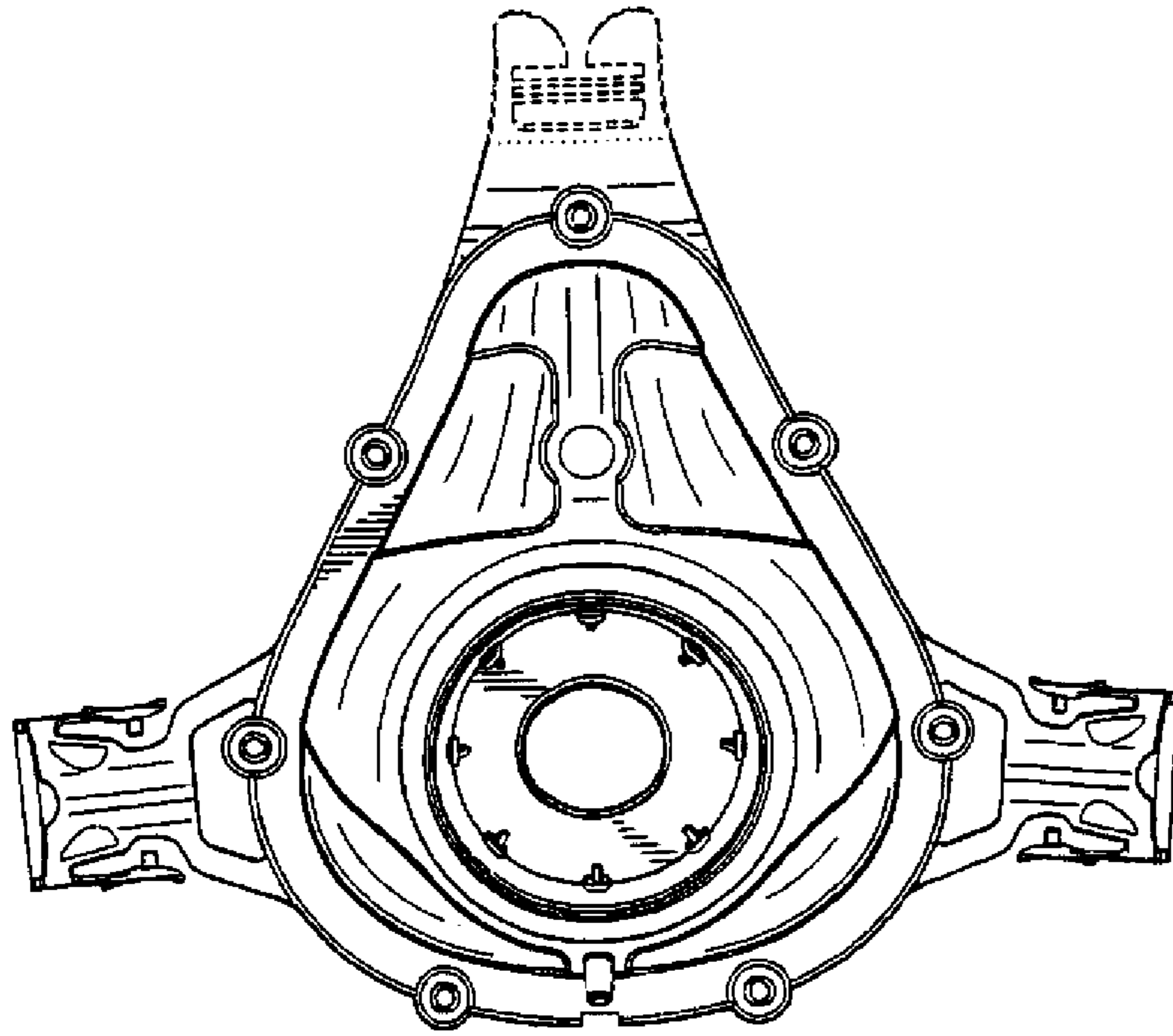


Fig. 2

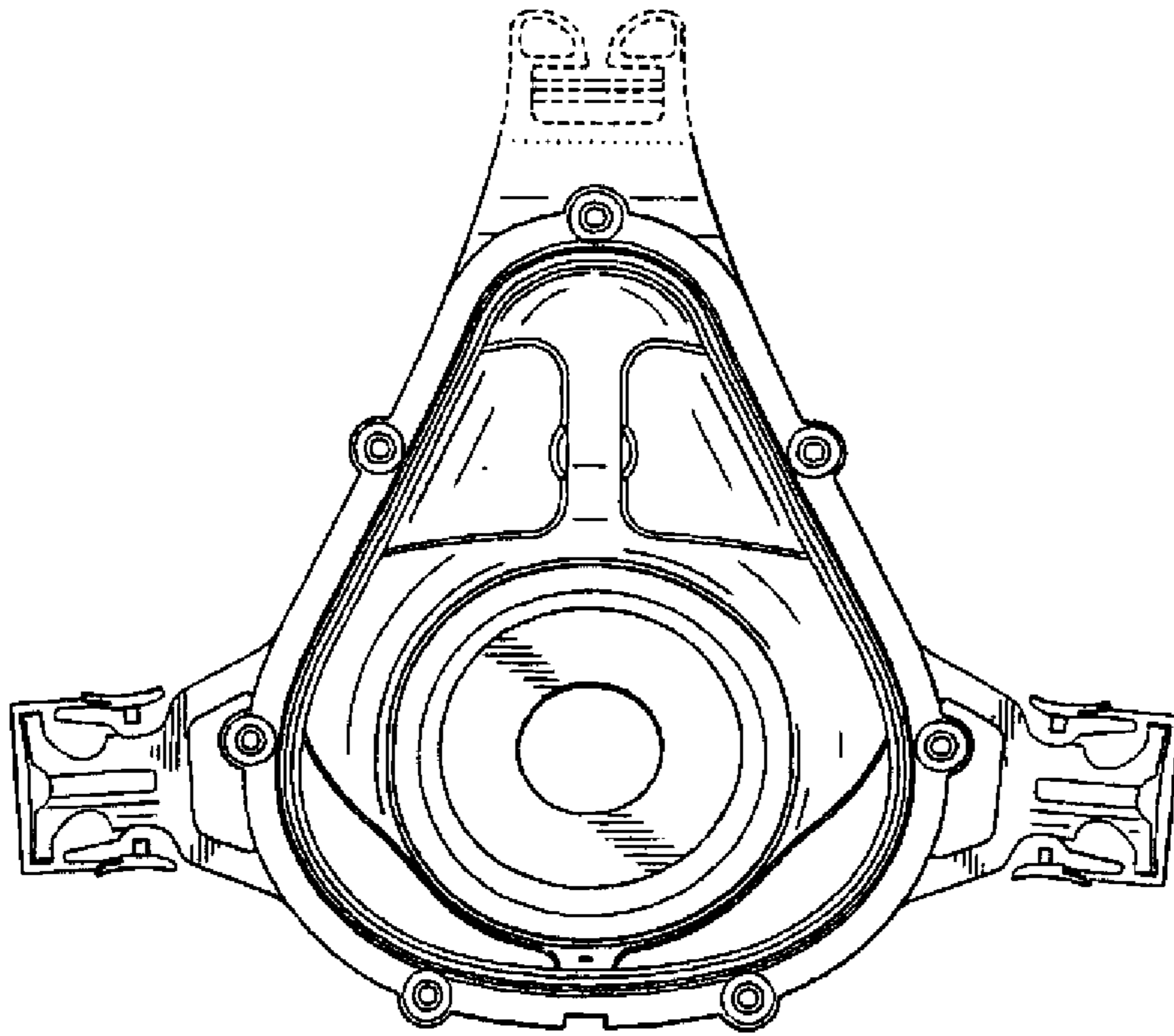


Fig. 3

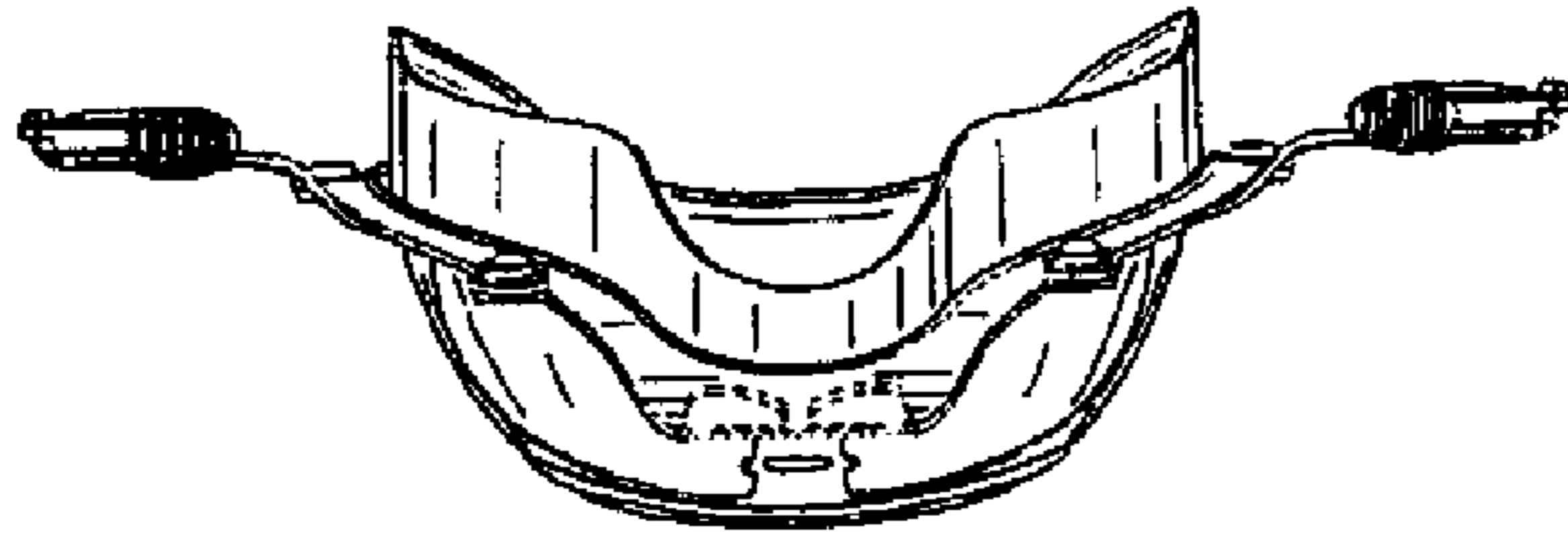


Fig. 4

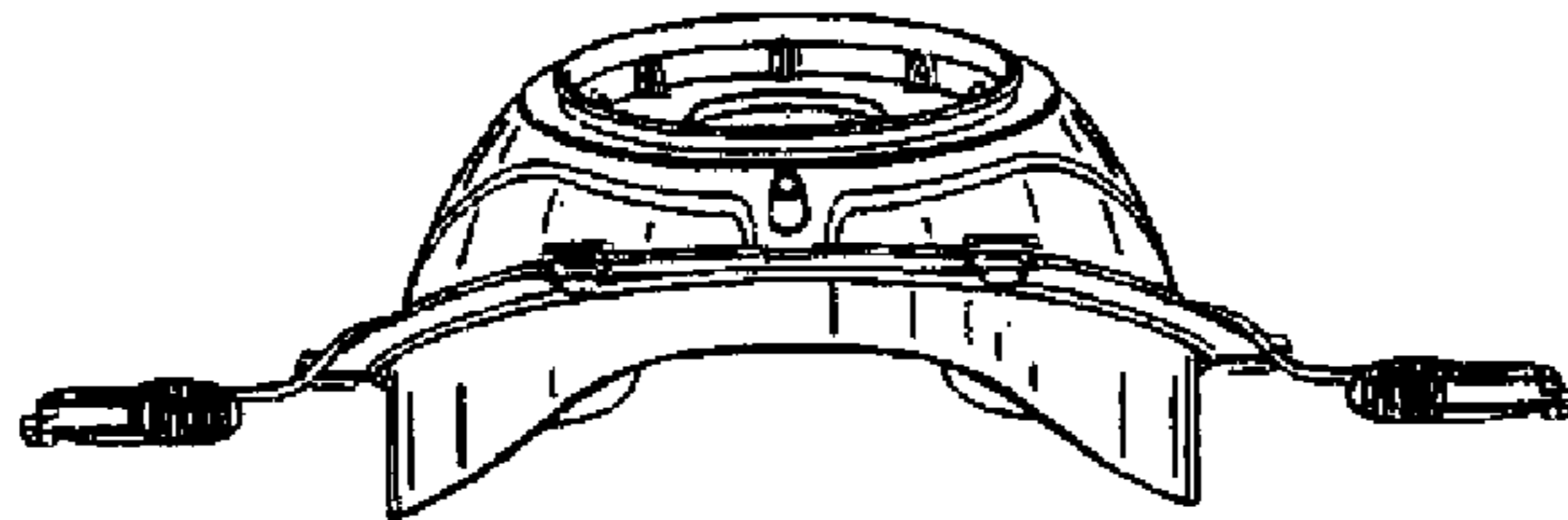


Fig. 5

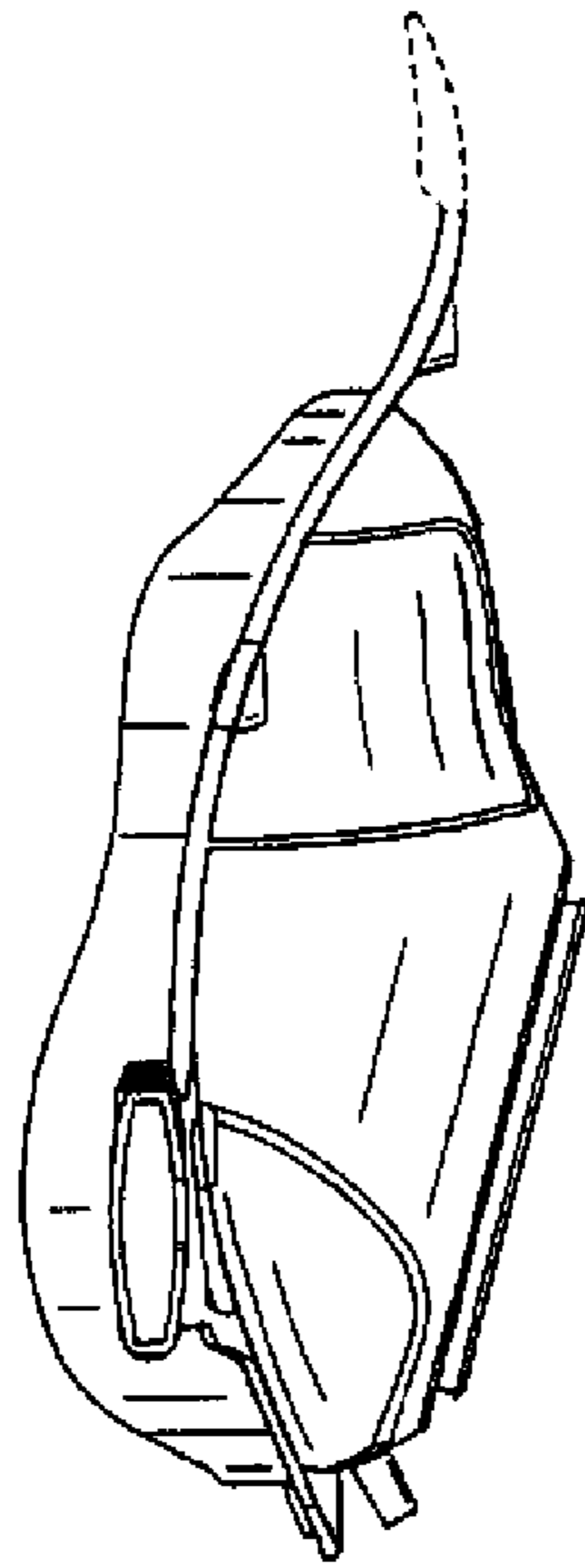


Fig. 6

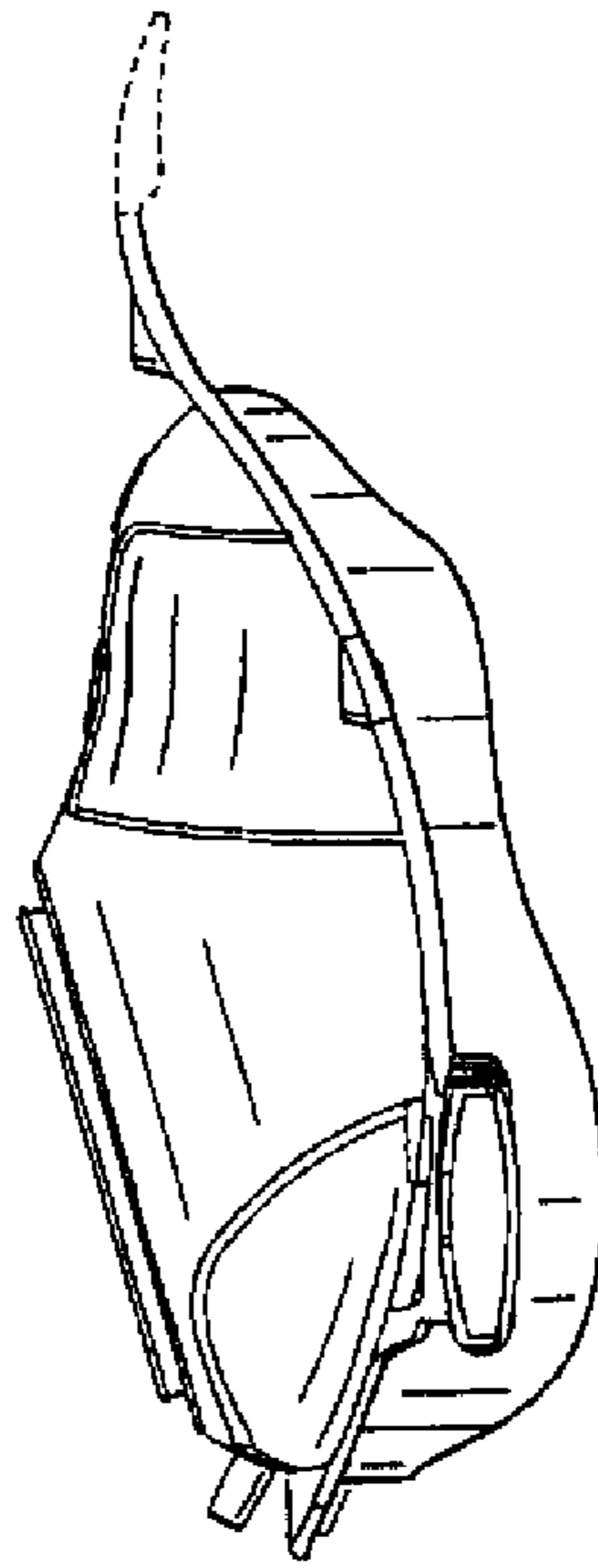


Fig. 7